



US00D446799B1

(12) **United States Design Patent**
Ohki et al.

(10) **Patent No.:** **US D446,799 S**

(45) **Date of Patent:** **** Aug. 21, 2001**

(54) **VIDEO CAMERA WITH DIGITAL VIDEO DISC PLAYER**

(75) Inventors: **Masayuki Ohki**, Kodaira; **Atsuhiko Urushihara**, Higashiyamato; **Atsutoshi Sato**, Fuchu; **Shinichi Ishikuro**, Hiitachinaka, all of (JP)

(73) Assignee: **Hitachi, Ltd.**, Tokyo (JP)

(**) Term: **14 Years**

(21) Appl. No.: **29/127,510**

(22) Filed: **Aug. 8, 2000**

(30) **Foreign Application Priority Data**

Feb. 22, 2000 (JP) 12-007466

(51) **LOC (7) Cl.** **16-01**

(52) **U.S. Cl.** **D16/202**

(58) **Field of Search** D16/200–205, D16/208; 348/373–376; 358/906; 396/535–541

(56) **References Cited**

U.S. PATENT DOCUMENTS

D. 401,256 * 11/1998 Harata D16/202

D. 414,195 * 9/1999 Shiozaki et al. D16/202

D. 423,541 * 4/2000 Ohwada D16/202

D. 429,742 * 8/2000 Fukushima D16/202

D. 435,575 * 12/2000 Kanatani D16/202

5,499,052 * 3/1996 Nakanishi et al. 348/373

5,893,649 * 4/1999 Shimada 396/535

* cited by examiner

Primary Examiner—Adir Aronovich

(74) *Attorney, Agent, or Firm*—Antonelli, Terry, Stout & Kraus, LLP

(57) **CLAIM**

The ornamental design for a video camera with digital video disc player, as shown and described.

DESCRIPTION

FIG. 1 is a left side, front, top perspective view of a video camera with digital video disc player showing our new design;

FIG. 2 is a front elevational view thereof;

FIG. 3 is a left side elevational view thereof;

FIG. 4 is a right side elevational view thereof;

FIG. 5 is a top plan view thereof;

FIG. 6 is a bottom plan view thereof;

FIG. 7 is a rear elevational view thereof; and,

FIG. 8 is a perspective view when the display is opened.

1 Claim, 4 Drawing Sheets

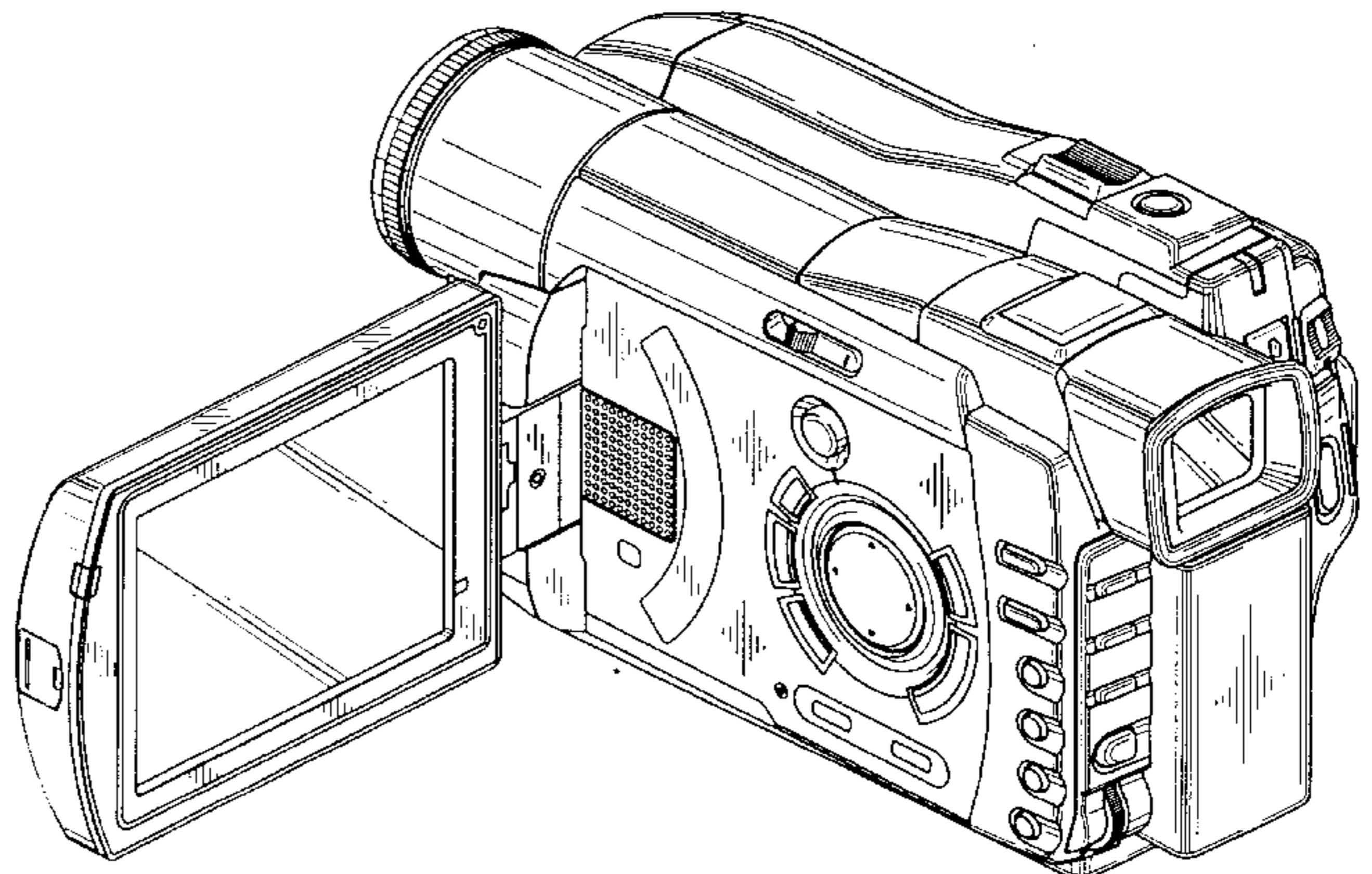
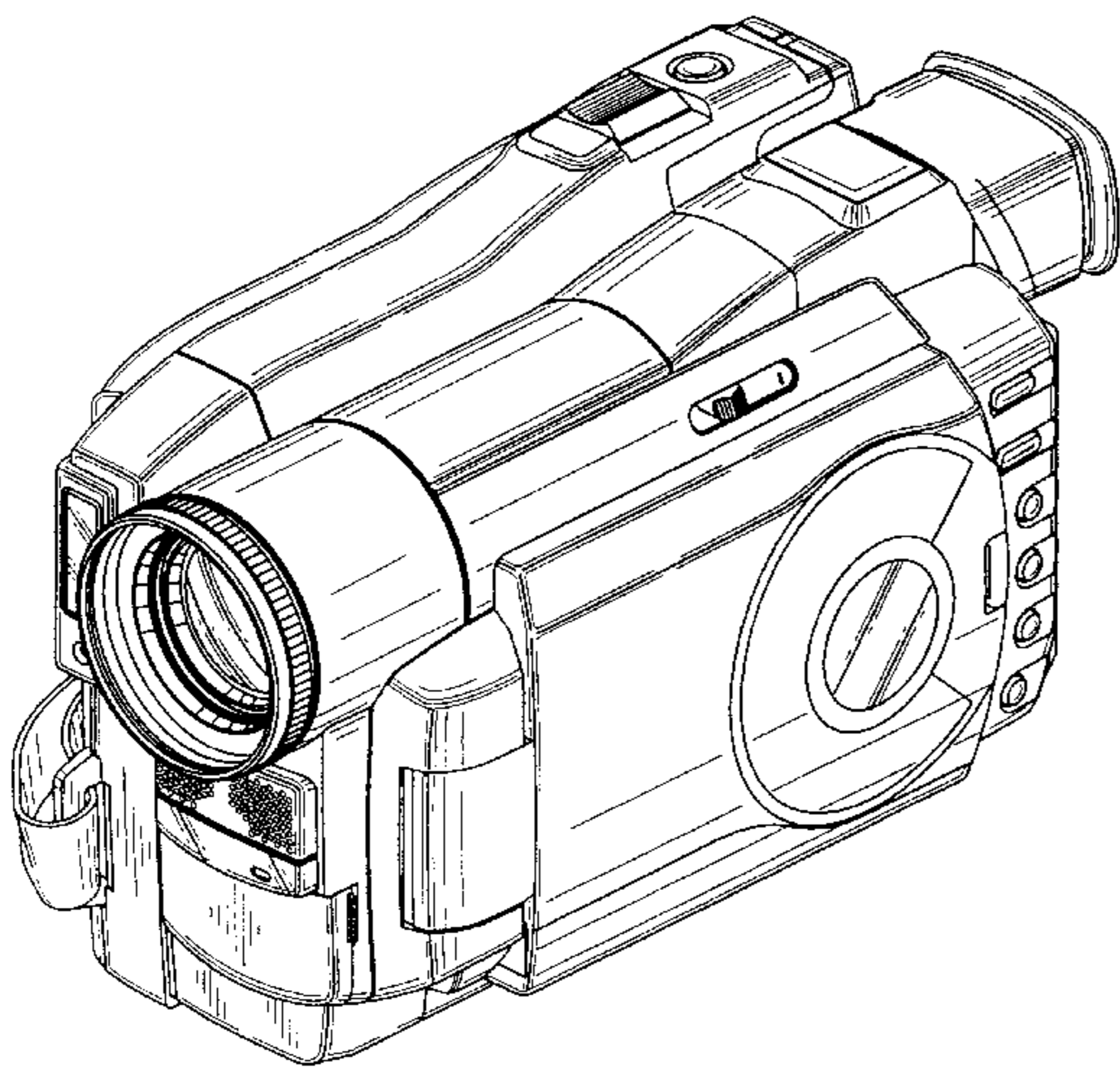


FIG. 1

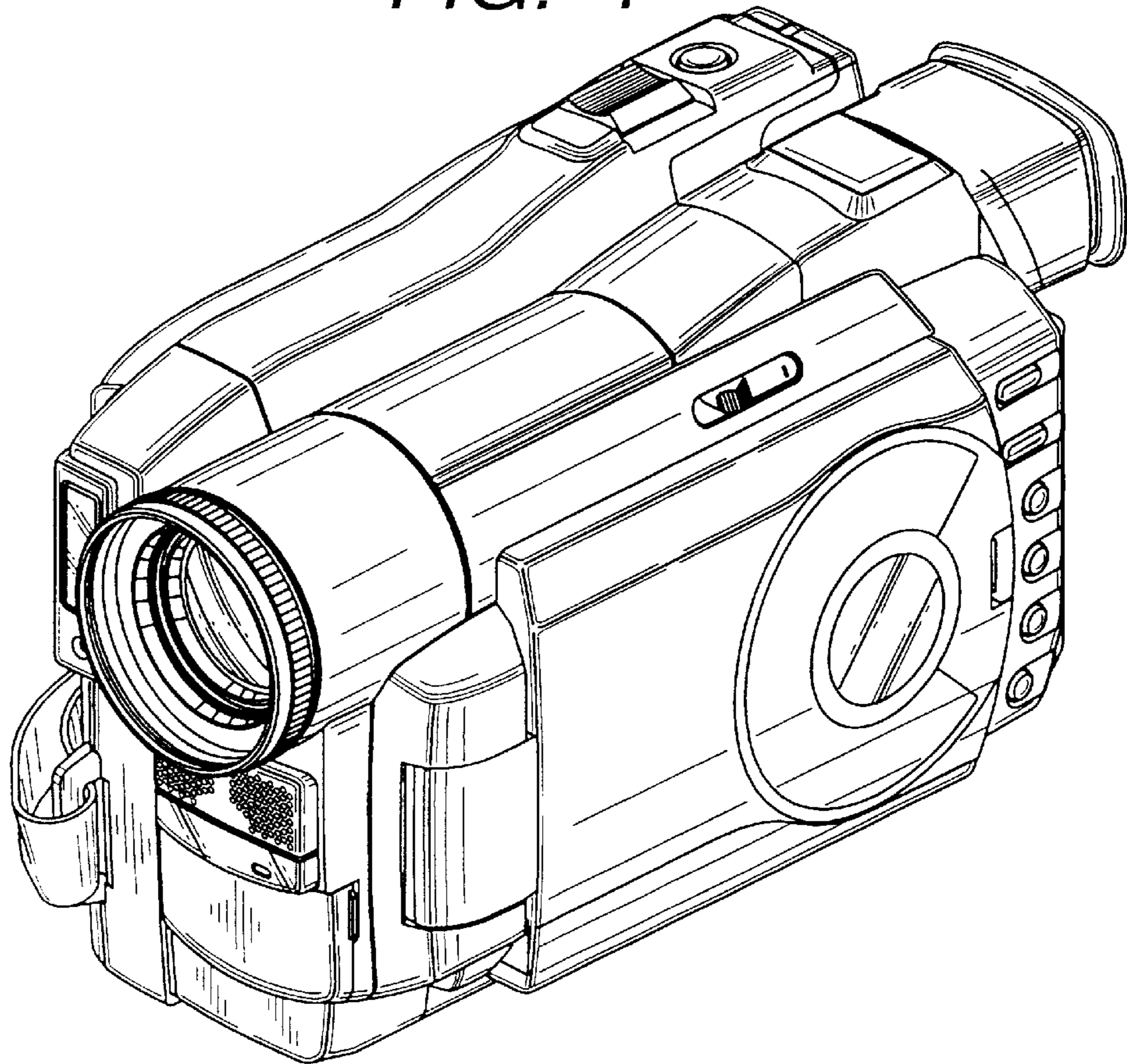


FIG. 2

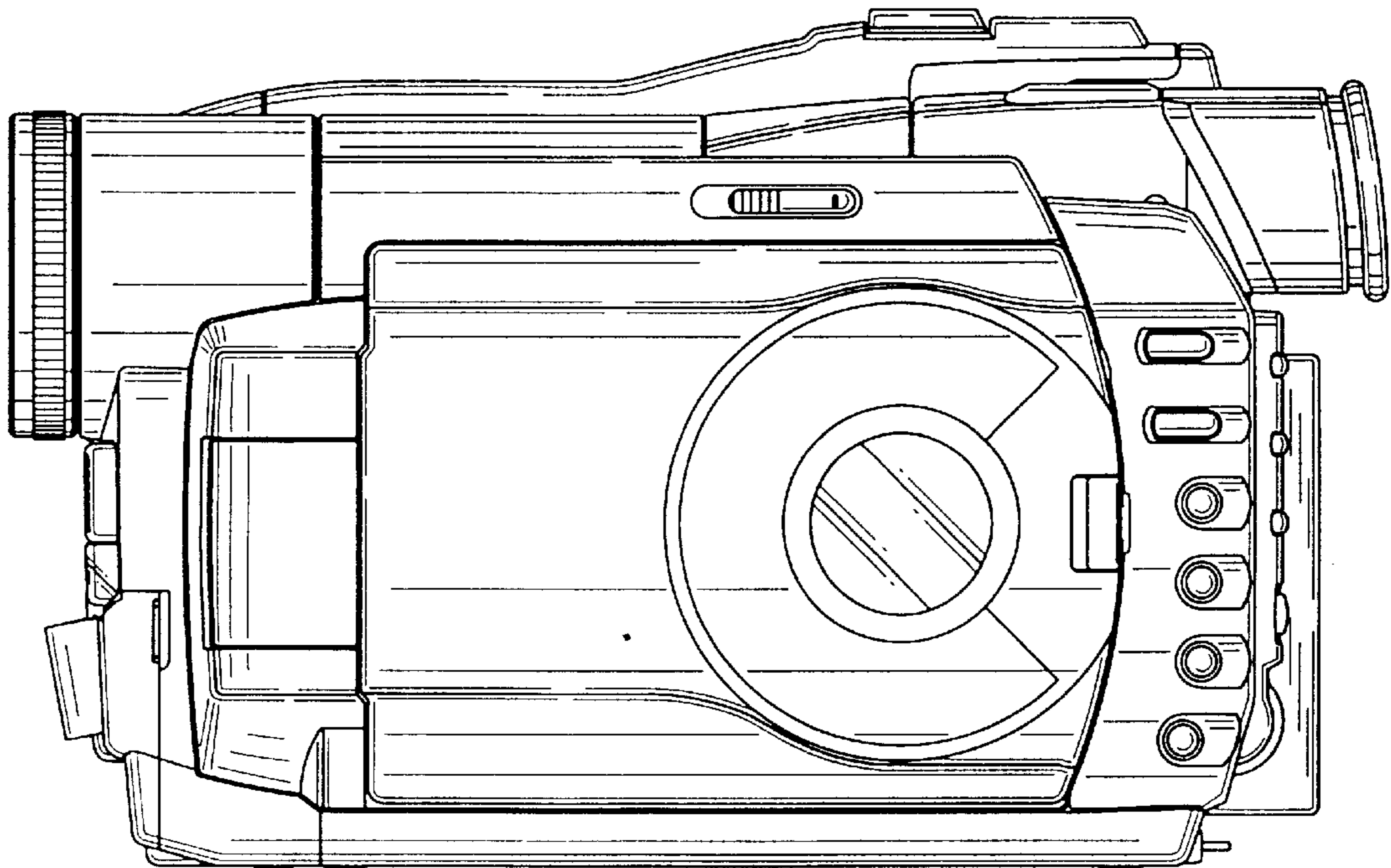


FIG. 3

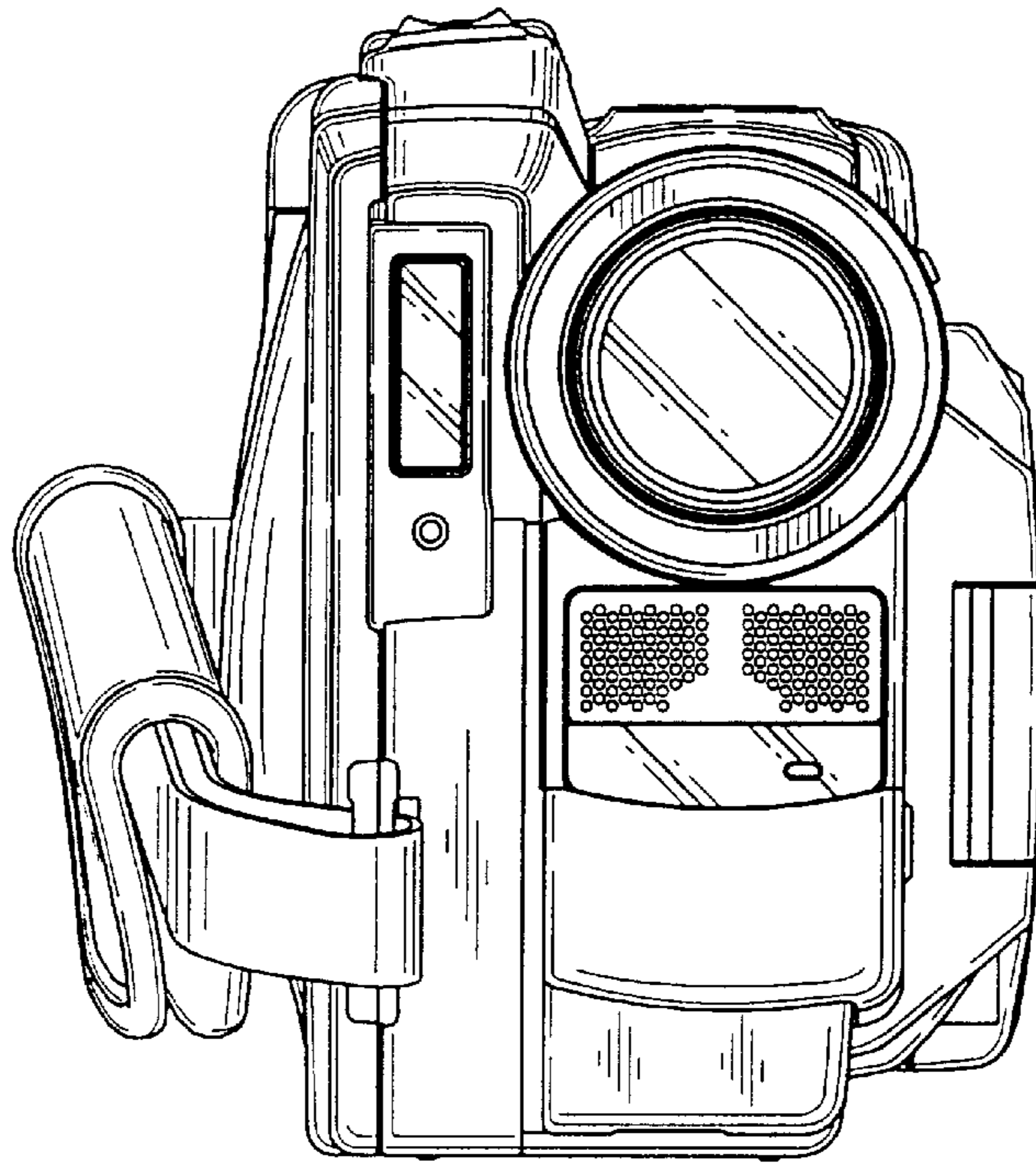


FIG. 4

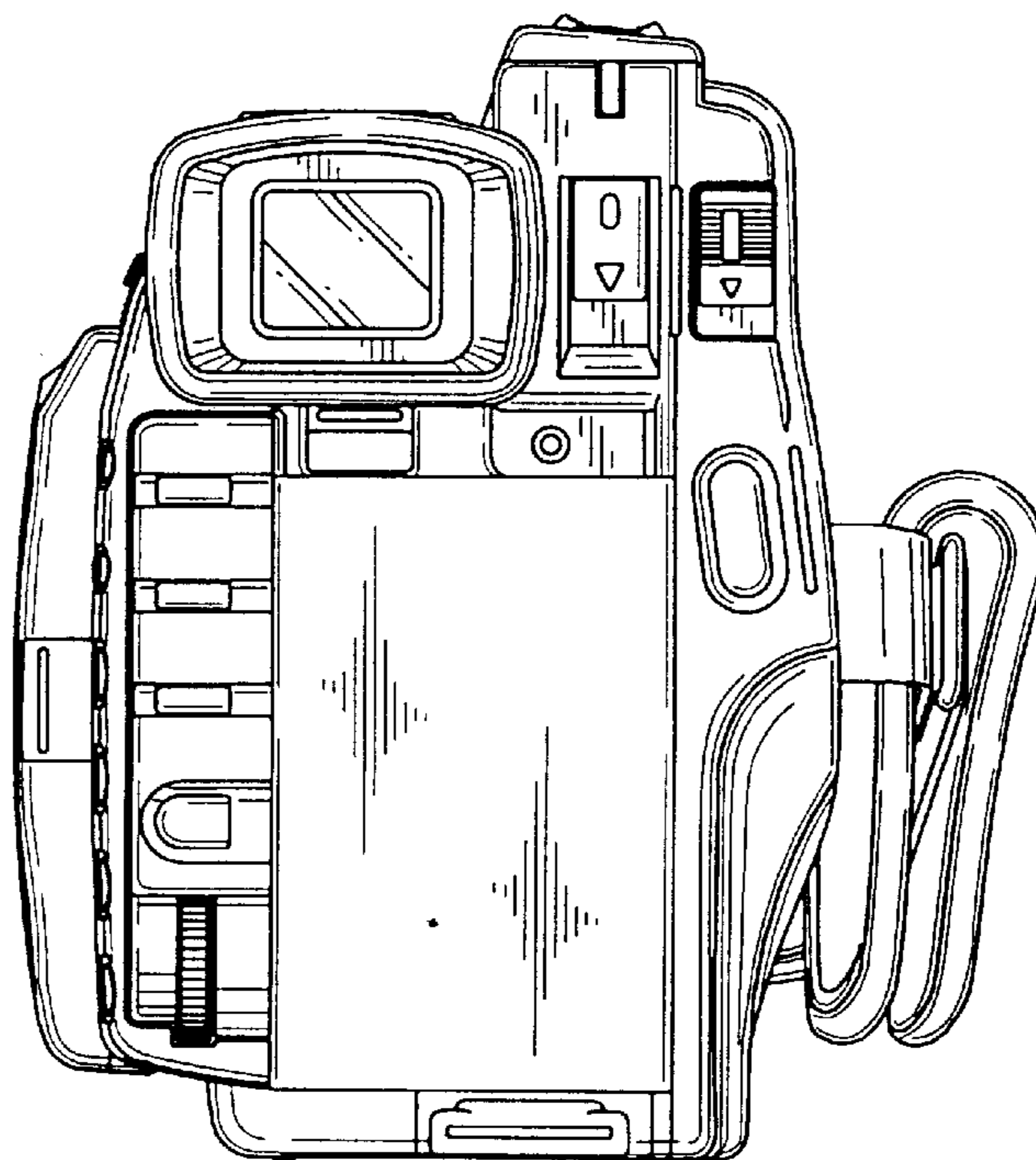


FIG. 5

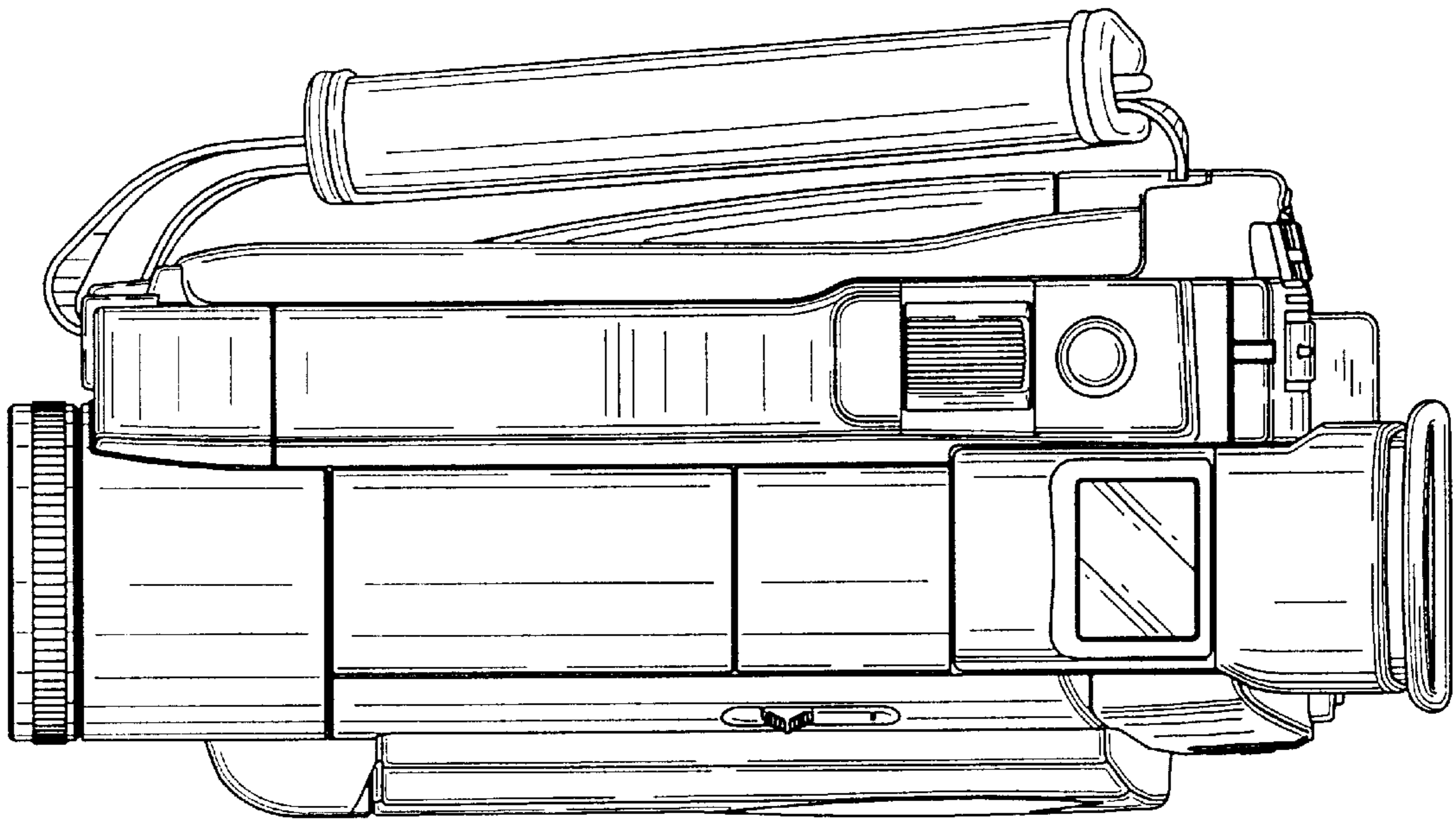


FIG. 6

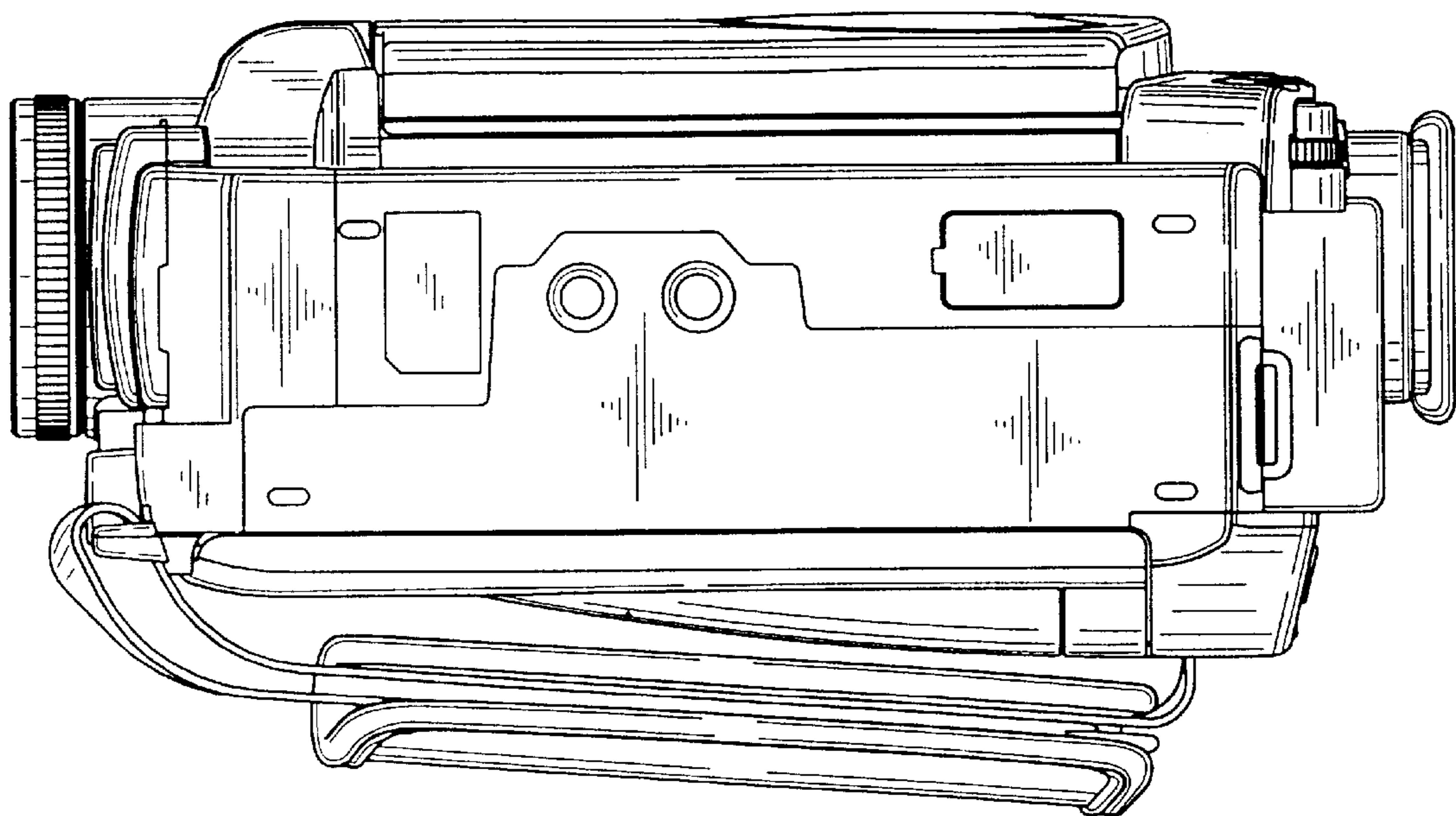


FIG. 7

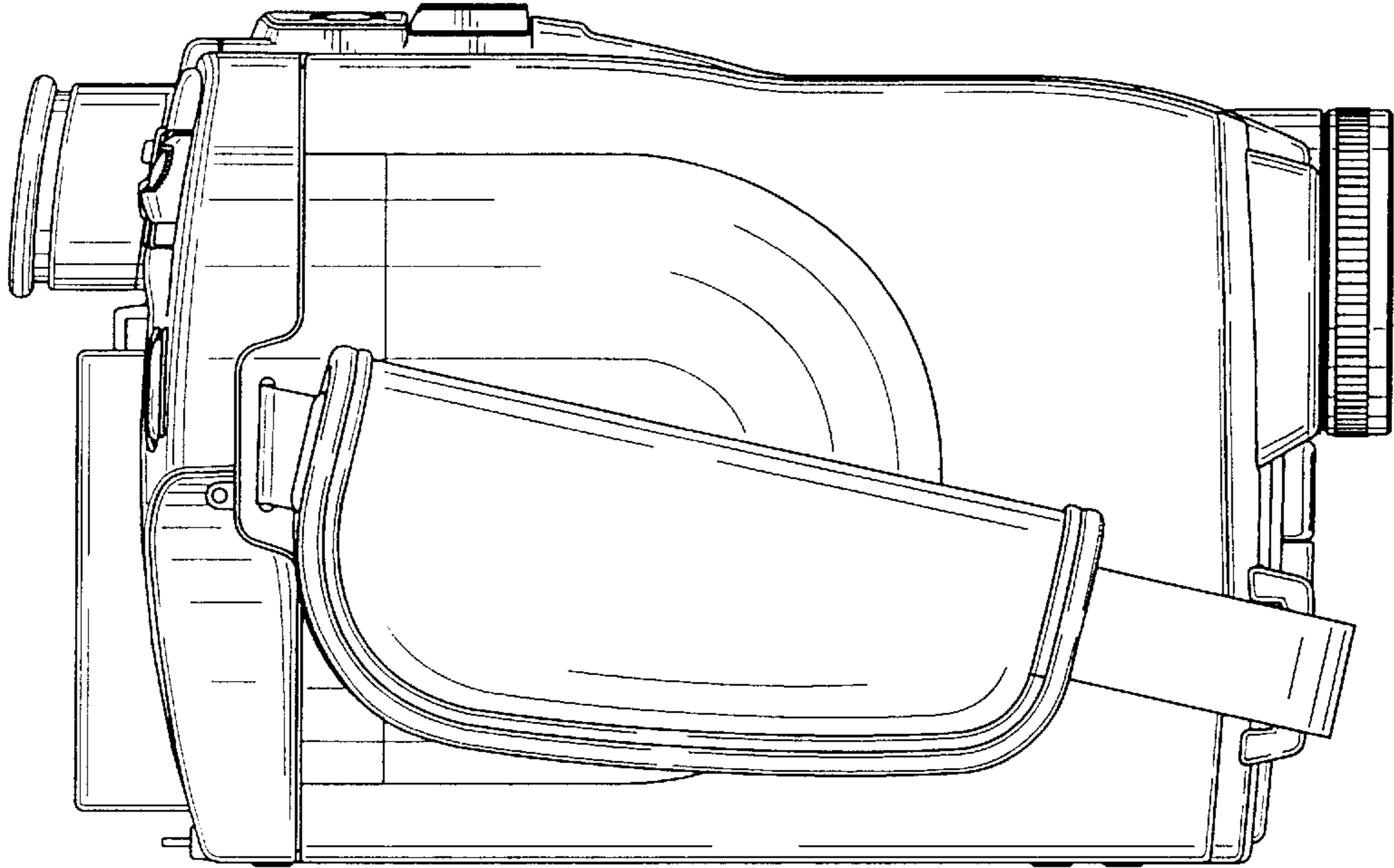


FIG. 8

