



US00D446797B1

(12) **United States Design Patent**
Melton et al.

(10) **Patent No.: US D446,797 S**

(45) **Date of Patent: ** Aug. 21, 2001**

(54) **GAS ANCHOR**

(75) Inventors: **Linda K. Melton; Katherine A. Majors**, both of Kilgore, TX (US)

(73) Assignee: **Blue Water Stabilizers, Inc.**, Kilgore, TX (US)

(**) Term: **14 Years**

(21) Appl. No.: **29/134,943**

(22) Filed: **Dec. 29, 2000**

(51) **LOC (7) Cl.** **15-99**

(52) **U.S. Cl.** **D15/199**

(58) **Field of Search** D15/199; 166/60-62, 166/68, 105, 105.6, 105.1, 106, 369, 370, 231, 233, 902

(56) **References Cited**

U.S. PATENT DOCUMENTS

4,515,608	*	5/1985	Clegg	166/105.5
4,789,031		12/1988	Walker	166/369
4,807,699	*	2/1989	Sample	166/68
5,485,883	*	1/1996	Rippetoe et al.	166/369

* cited by examiner

Primary Examiner—Antoine Duval Davis

(74) *Attorney, Agent, or Firm*—C. W. Alworth

(57) **CLAIM**

The ornamental design for a gas anchor, as shown and described.

DESCRIPTION

FIG. 1 is a side isometric view of a gas anchor showing our new design.

FIG. 2 is an exploded side isometric view of a gas anchor showing clearly the internal design features.

FIG. 3 is a side elevation view of a gas anchor.

FIG. 4 is an enlarged side view of the leftmost element of a gas anchor.

FIG. 5 is an enlarged top view of the leftmost element of a gas anchor

FIG. 6 is an enlarged side view of the rightmost element of a gas anchor.

FIG. 7 is an enlarged top view of the rightmost element of a gas anchor.

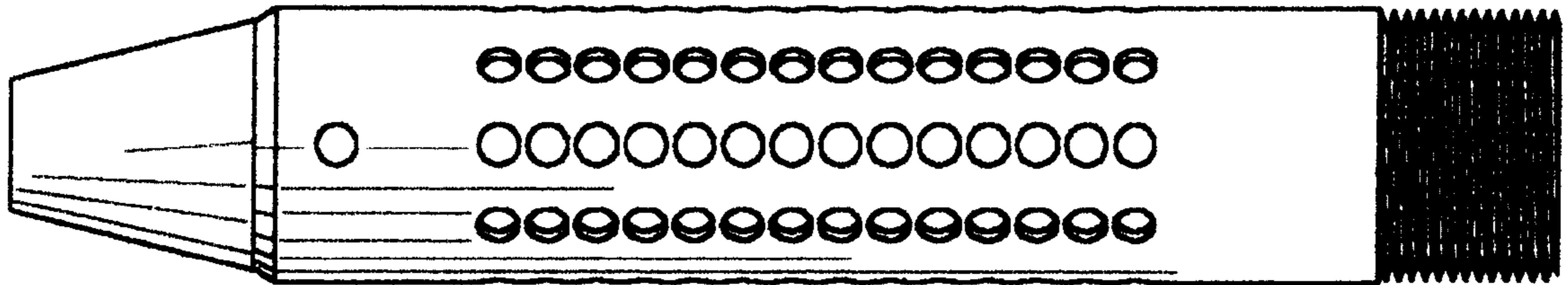
FIG. 8 is an enlarged end view taken in the direction of line VIII.

FIG. 9 is an enlarged end view taken in the direction of line IX.

FIG. 10 is an enlarged end view taken in the direction of line X; and,

FIG. 11 is an enlarged end view taken in the direction of line XI.

1 Claim, 11 Drawing Sheets



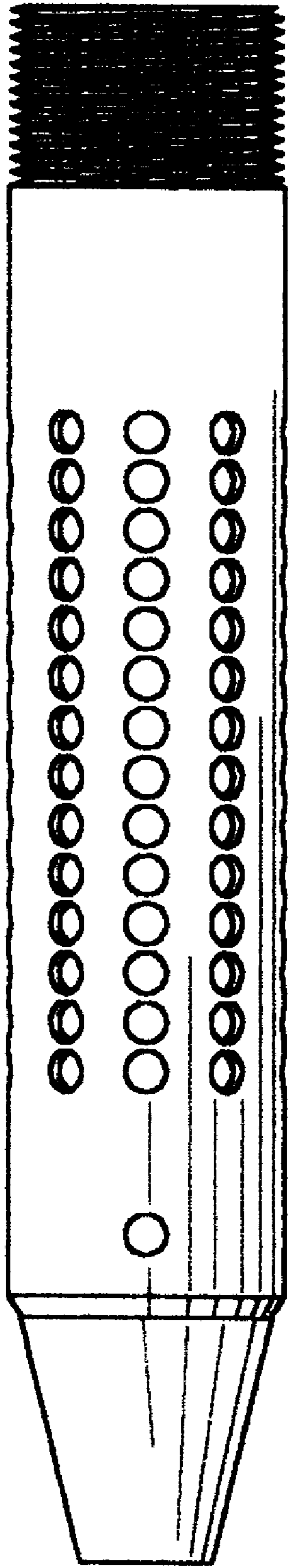


Figure 1

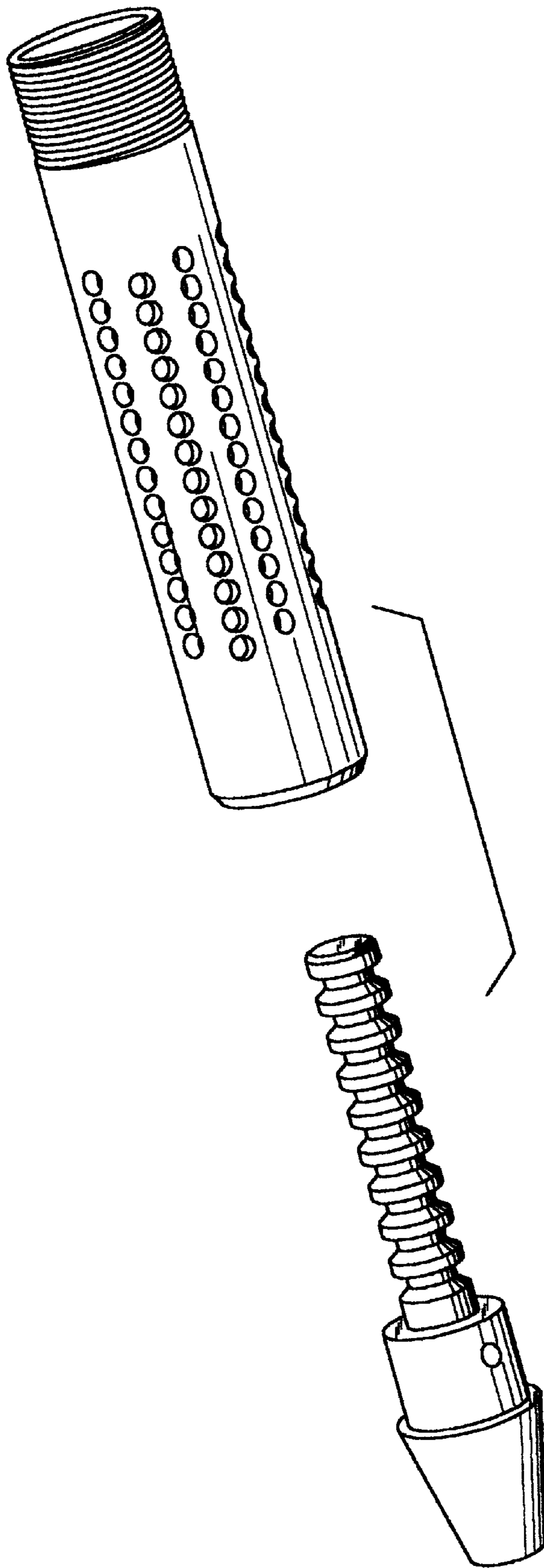


Figure 2

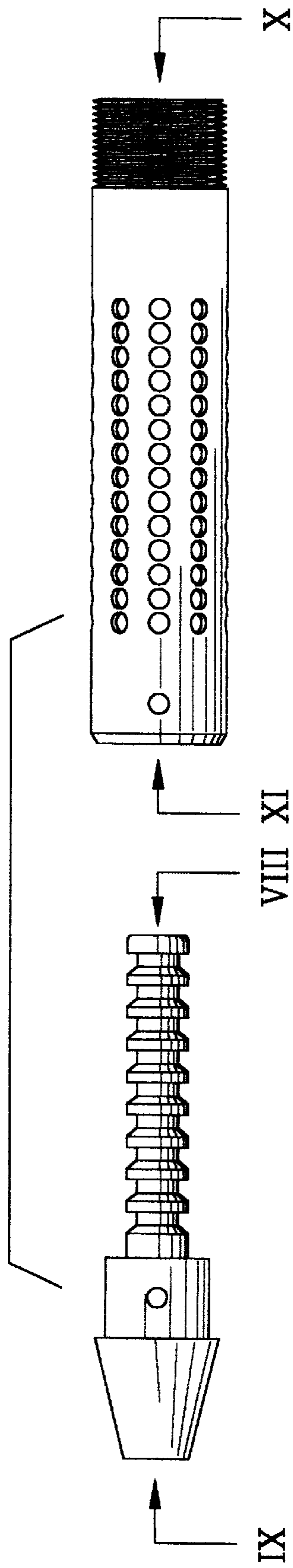


Figure 3

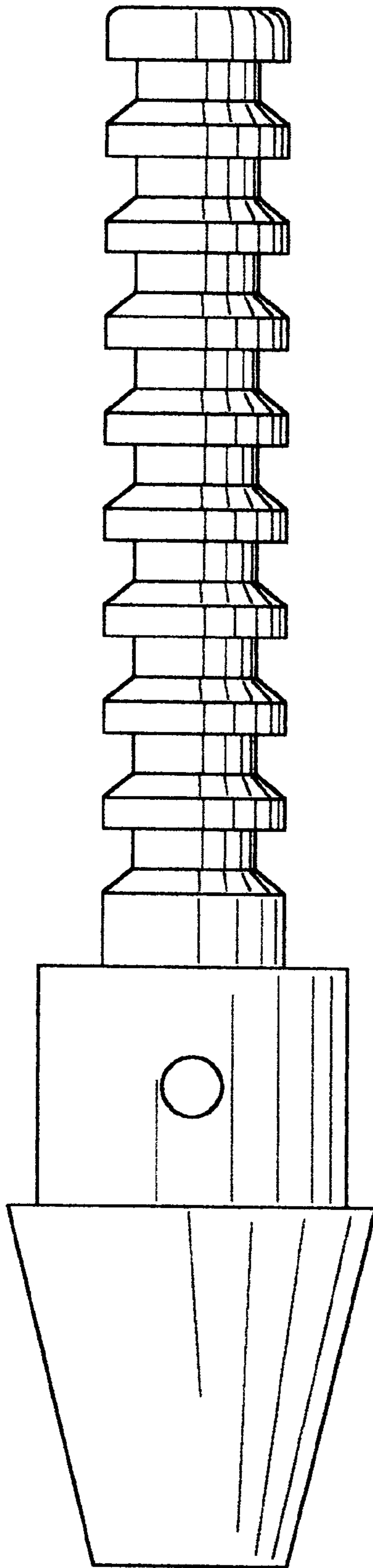


Figure 4

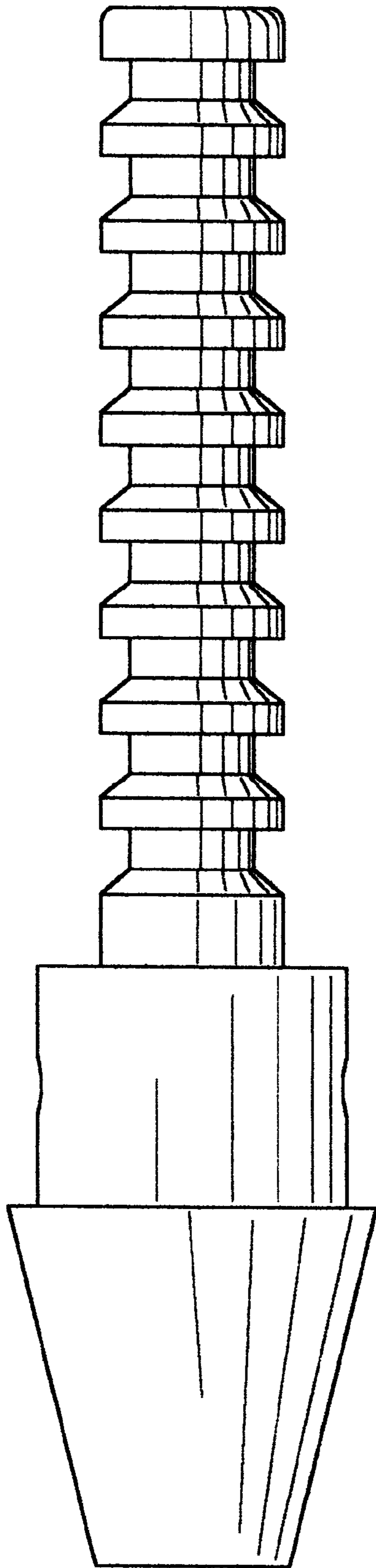


Figure 5

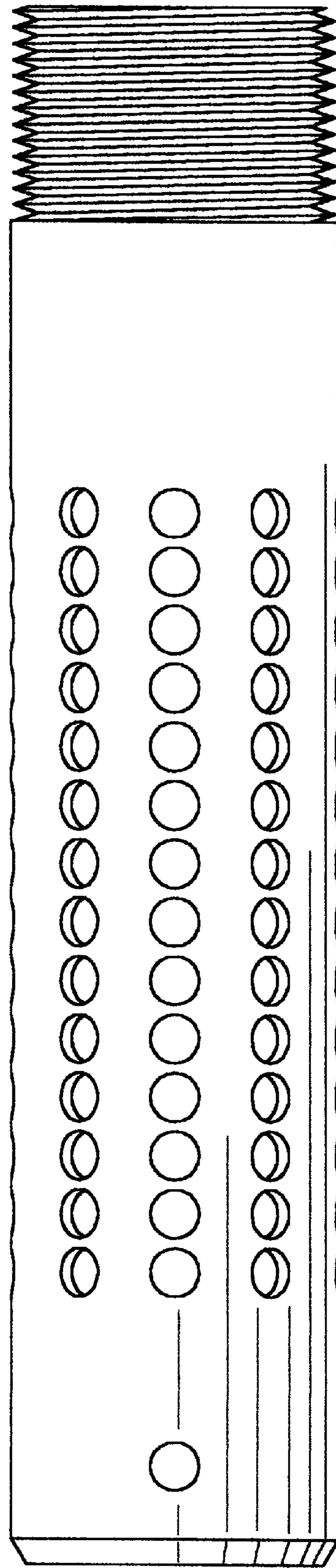


Figure 6

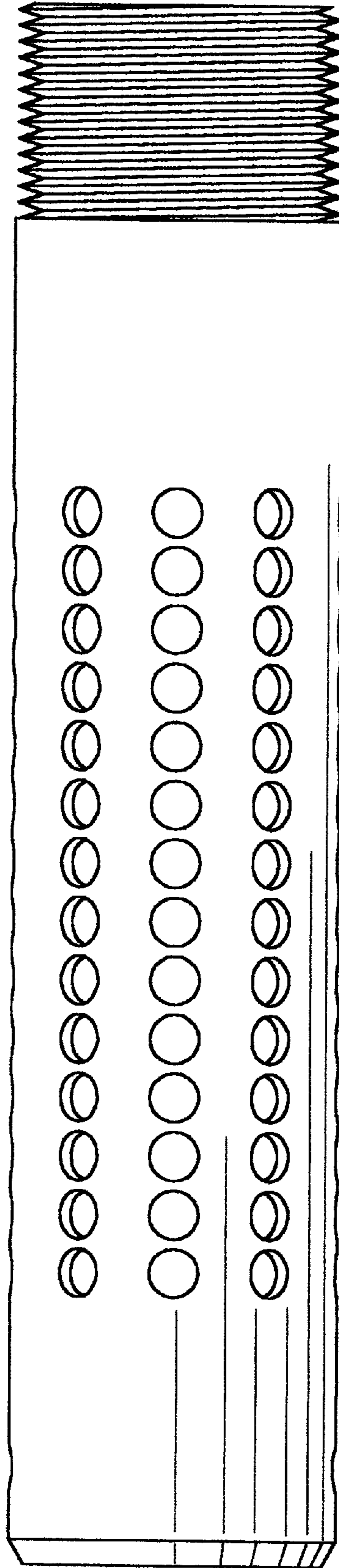


Figure 7

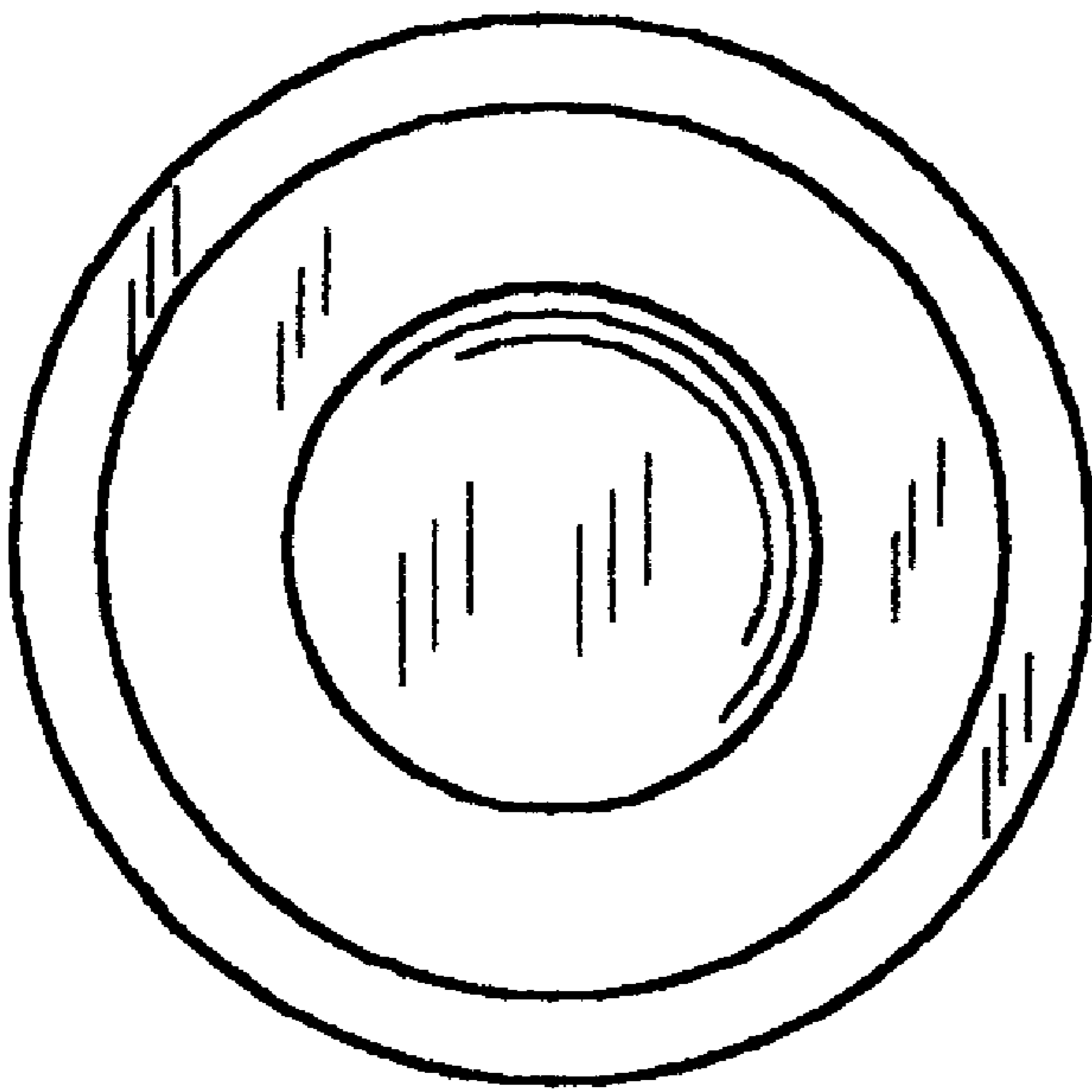


Figure 8

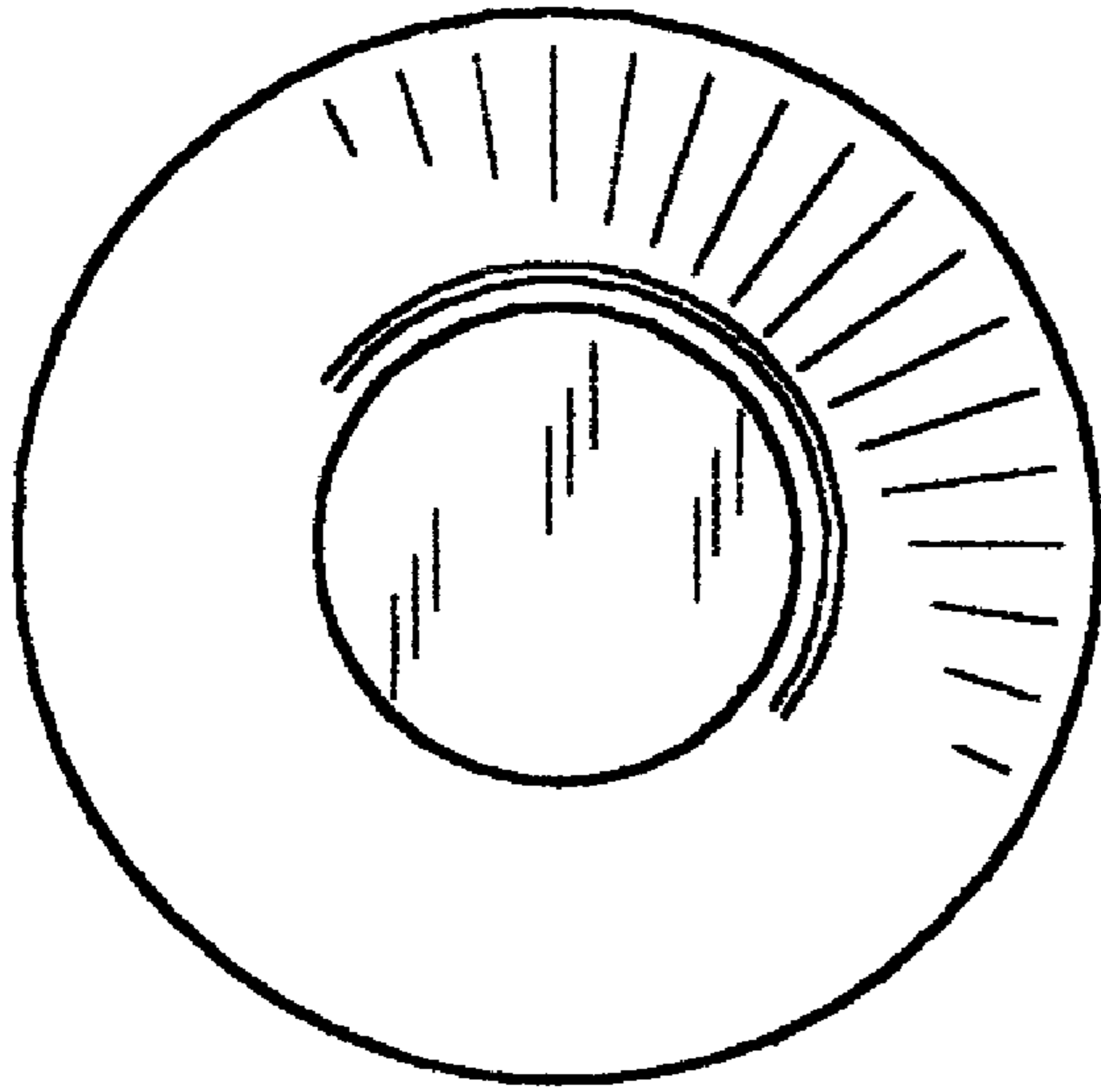


Figure 9

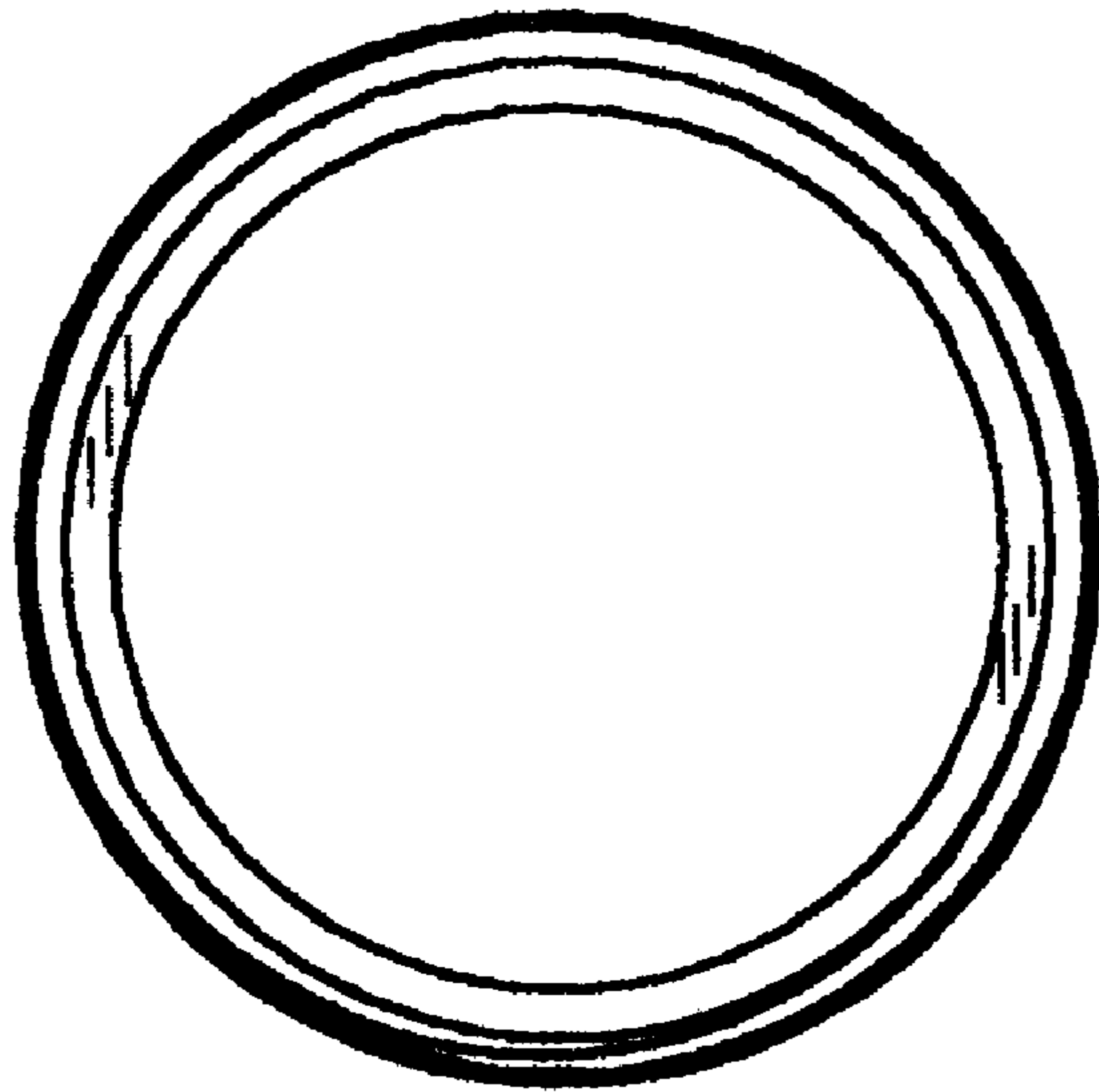


Figure 10

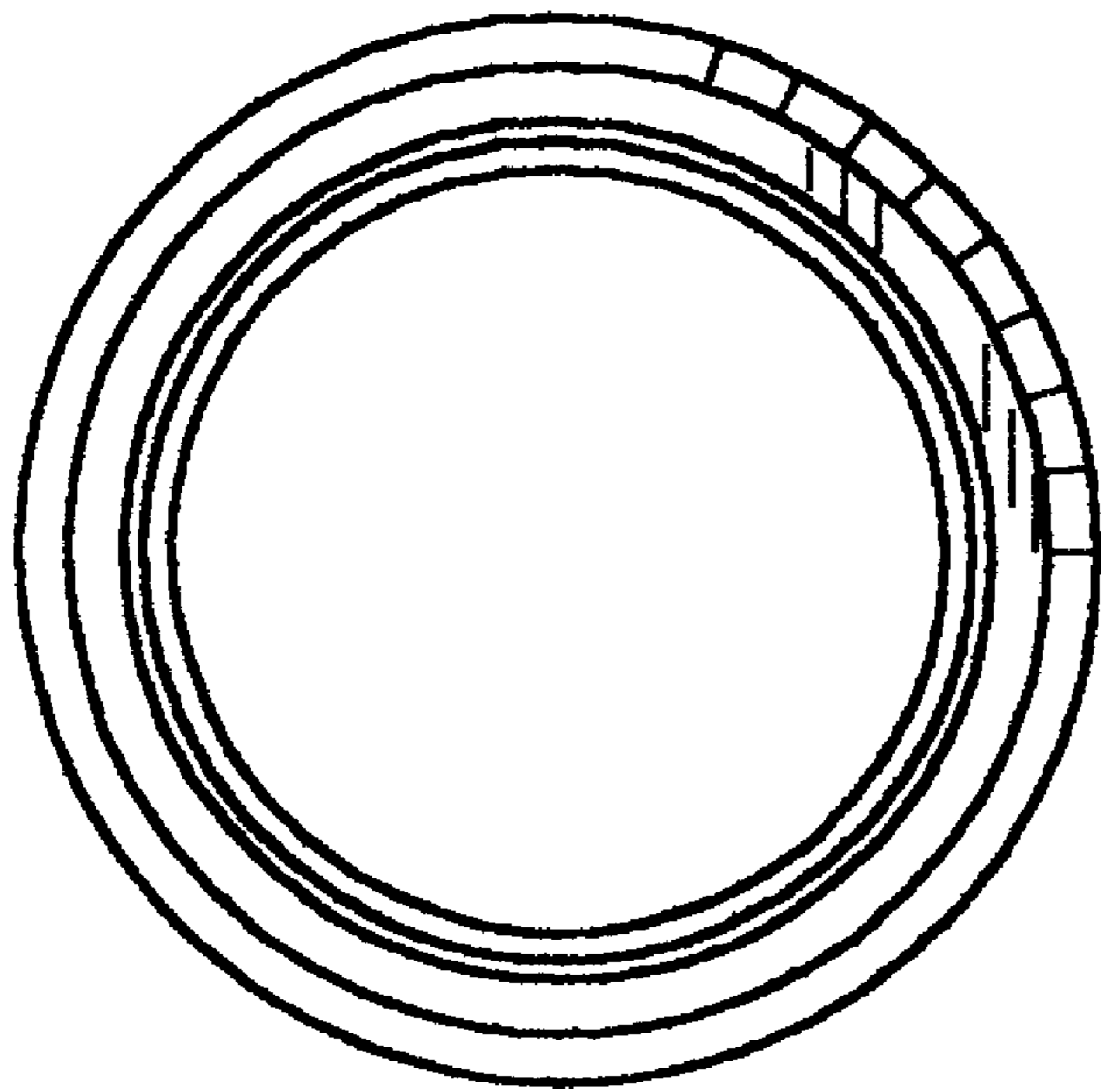


Figure 11