



US00D446796B1

(12) **United States Design Patent**
Rose et al.

(10) **Patent No.:** **US D446,796 S**

(45) **Date of Patent:** **** Aug. 21, 2001**

(54) **SOLDER PASTE INSPECTION MACHINE**

(75) Inventors: **Steven A. Rose**, Minneapolis; **John T. McElreath**, Mahtomedi, both of MN (US)

(73) Assignee: **CyberOptics Corporation**, Golden Valley, MN (US)

(**) Term: **14 Years**

(21) Appl. No.: **29/130,619**

(22) Filed: **Oct. 5, 2000**

(51) **LOC (7) Cl.** **15-04**

(52) **U.S. Cl.** **D15/144**

(58) **Field of Search** D10/46; D15/122, D15/144, 144.1, 144.2, 199; 427/8, 96

(56) **References Cited**

U.S. PATENT DOCUMENTS

- D. 422,289 * 4/2000 Mariotta et al. D15/122 X
- 5,232,736 * 8/1993 Tribbey et al. 427/6

OTHER PUBLICATIONS

- VI Technologies Vi-2000, downloaded from <http://www.selettra-srl.com/vi-2000.html>, 2 pages (Dec. 29, 2000).
- Christopher's NSpec, downloaded from <http://www.christopherweb.com/nspec.html>, 2 pages (Dec. 29, 2000).
- FSI 1000, downloaded from http://www.irsinc.com/products/fsi_1000.html, 8 pages (Dec. 29, 2000).

IOI 6000, downloaded from <http://www.irsinc.com/products/IOI6000.html>, 11 pages (Dec. 29, 2000).

AutoInspector 1820 ULTRA, downloaded from <http://www.visionpro.com/products/autoinspector.htm>, 4 pages (Jan. 2, 2001).

Quad Meridian Series SMT Assemblers, downloaded from <http://www.qyad-sys.com/products/assembler/meridian.htm>, 2 pages (Dec. 29, 2000).

* cited by examiner

Primary Examiner—Antoine Duval Davis

(74) *Attorney, Agent, or Firm*—Westman, Champlin & Kelly, P.A.

(57) **CLAIM**

The ornamental design for a solder paste inspection machine, as shown and described.

DESCRIPTION

FIG. 1 is a perspective view;

FIG. 2 is a top plan view;

FIG. 3 is a front elevational view;

FIG. 4 is a right side view; and

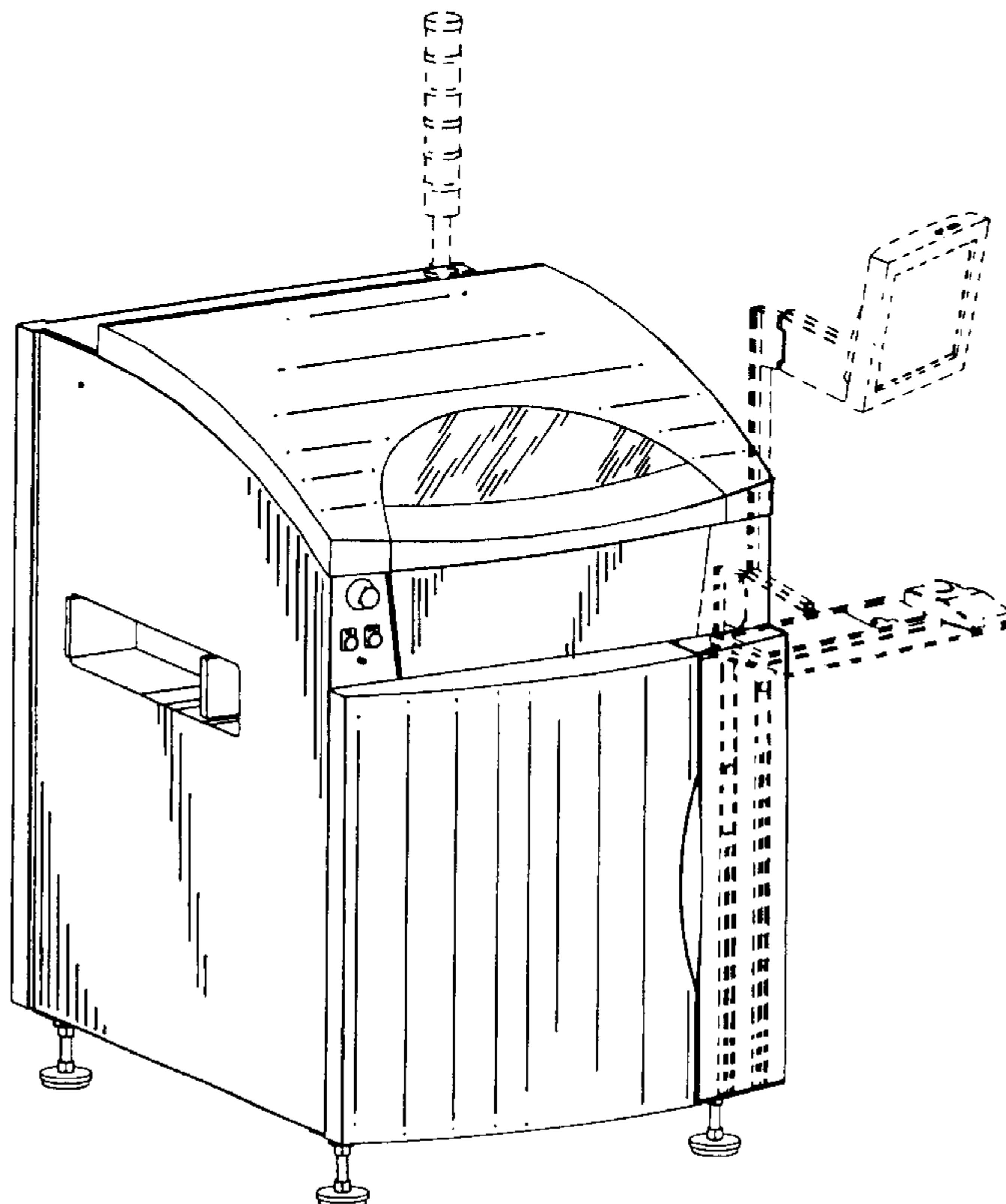
FIG. 5 is a left side view.

FIG. 6 is a rear elevational view; and,

FIG. 7 is bottom plan view.

The broken line showing is for illustrative purposes only and forms no part of the claimed design.

1 Claim, 4 Drawing Sheets



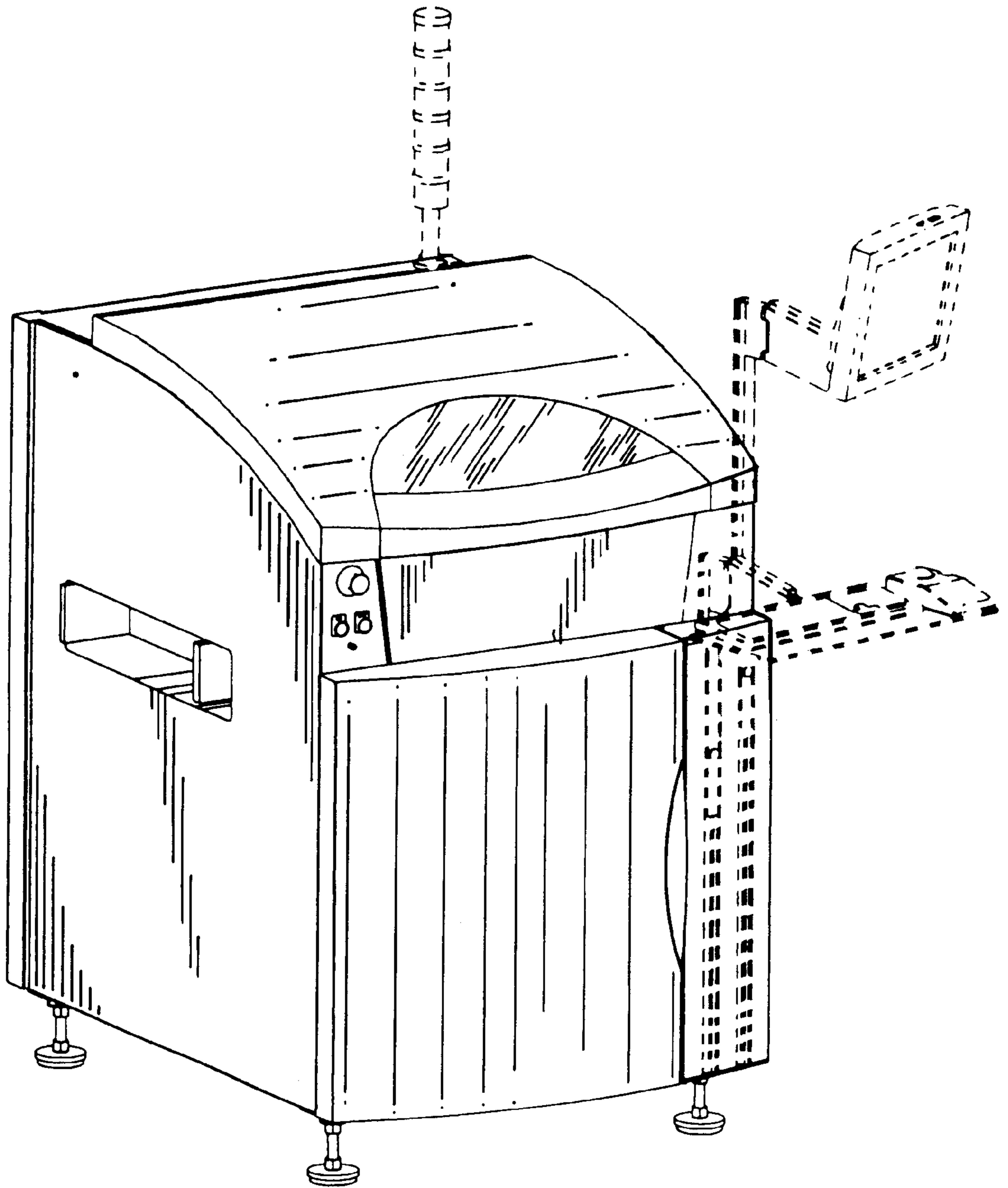


FIG. 1

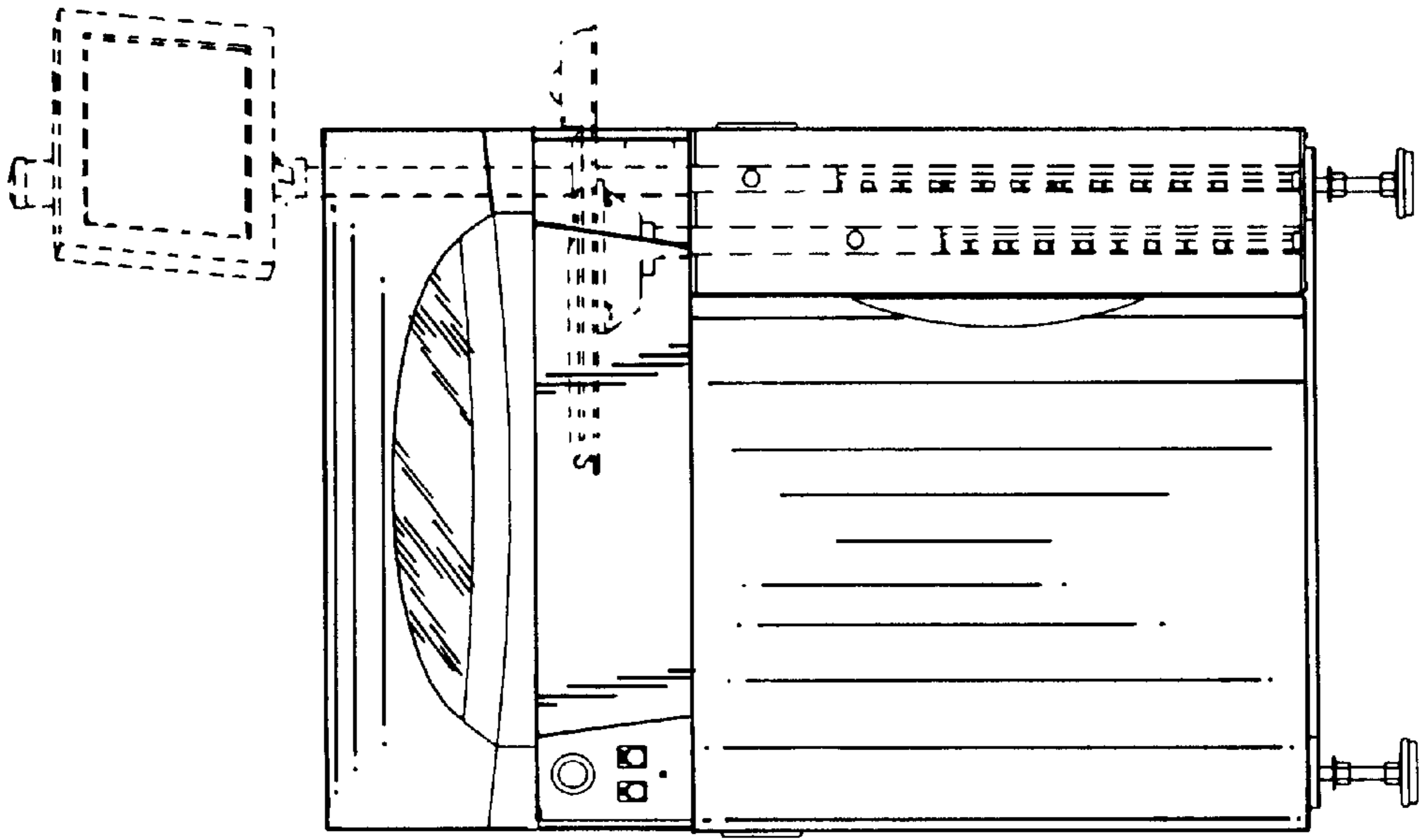


FIG. 3

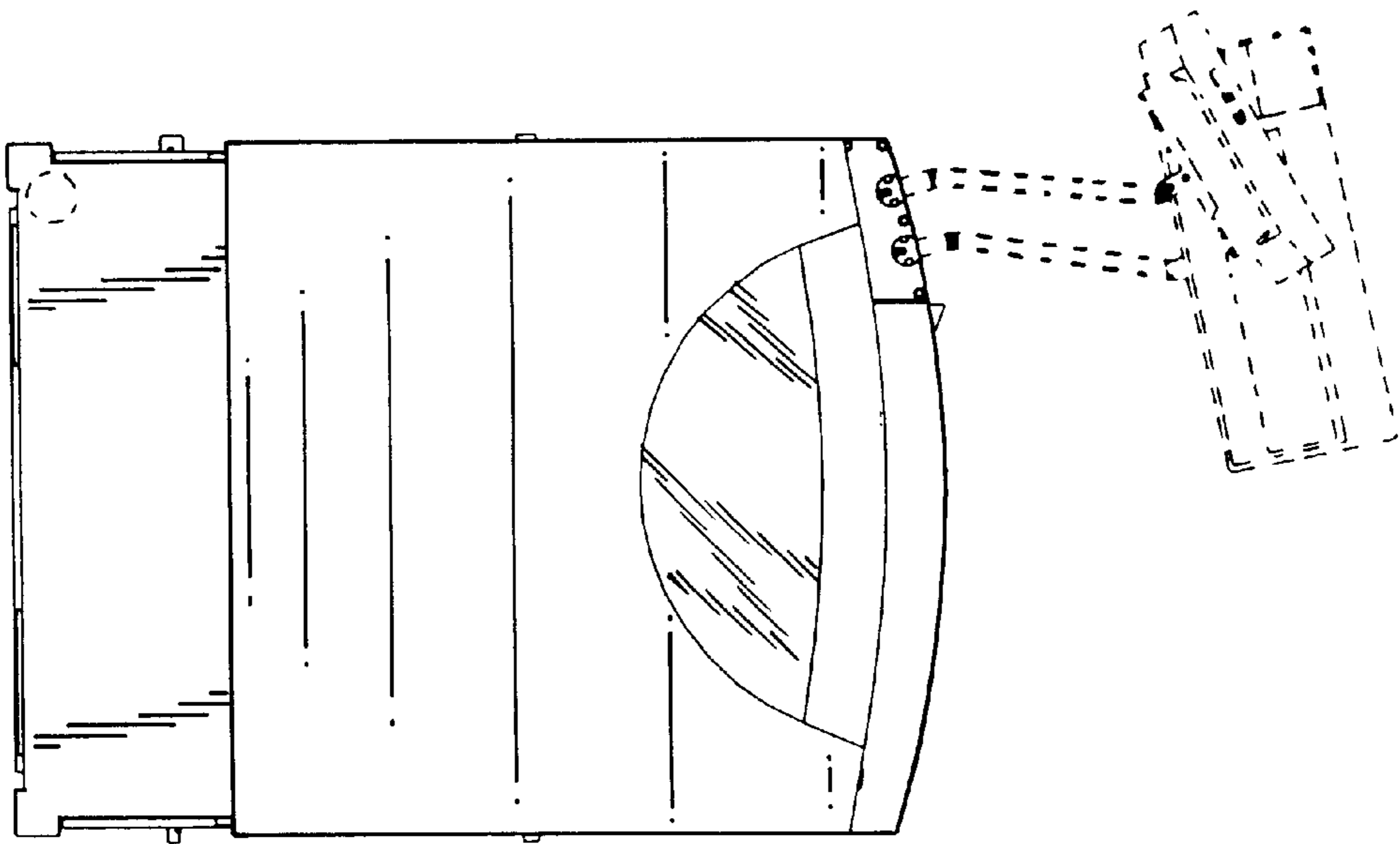


FIG. 2

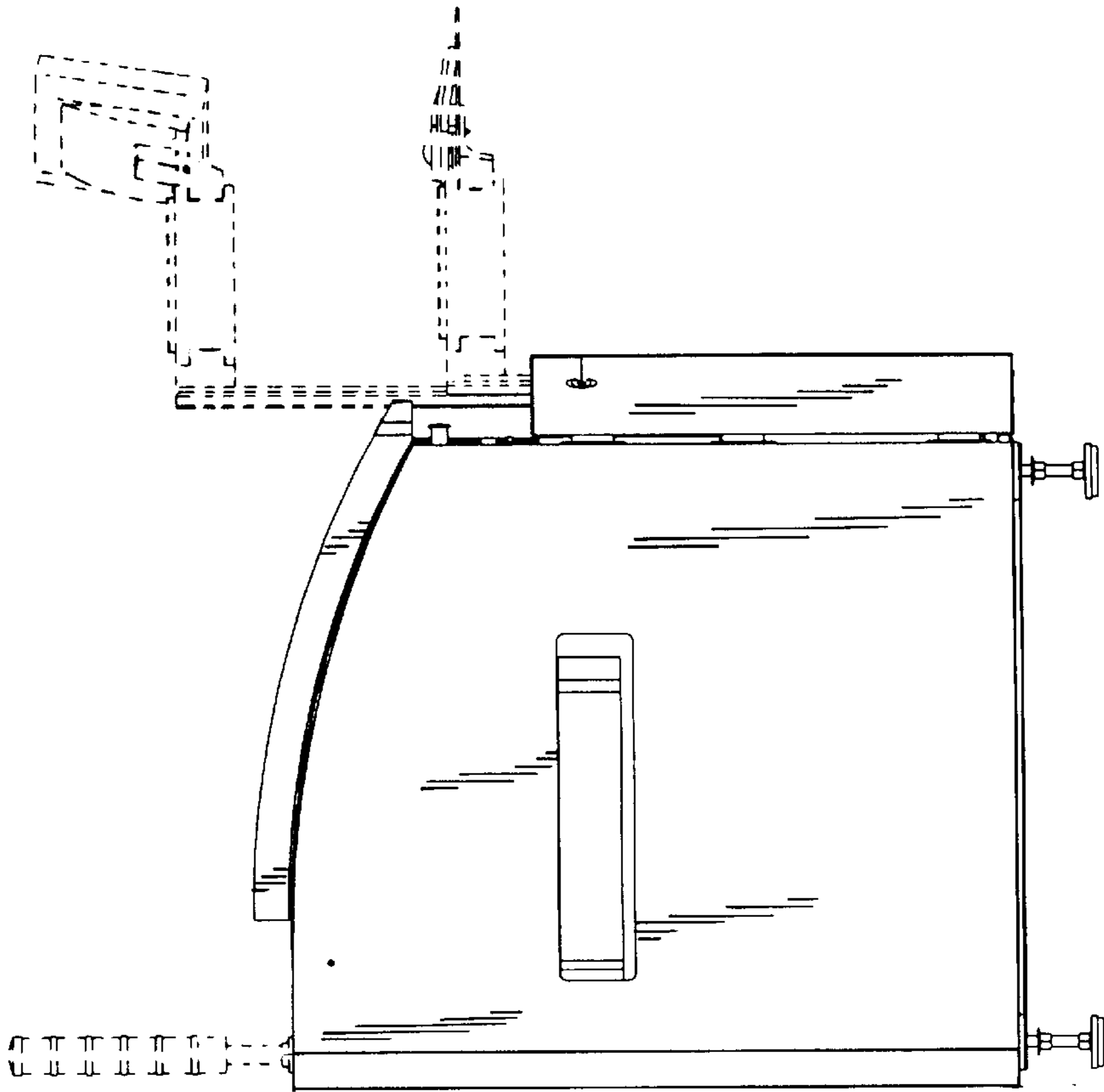


FIG. 5

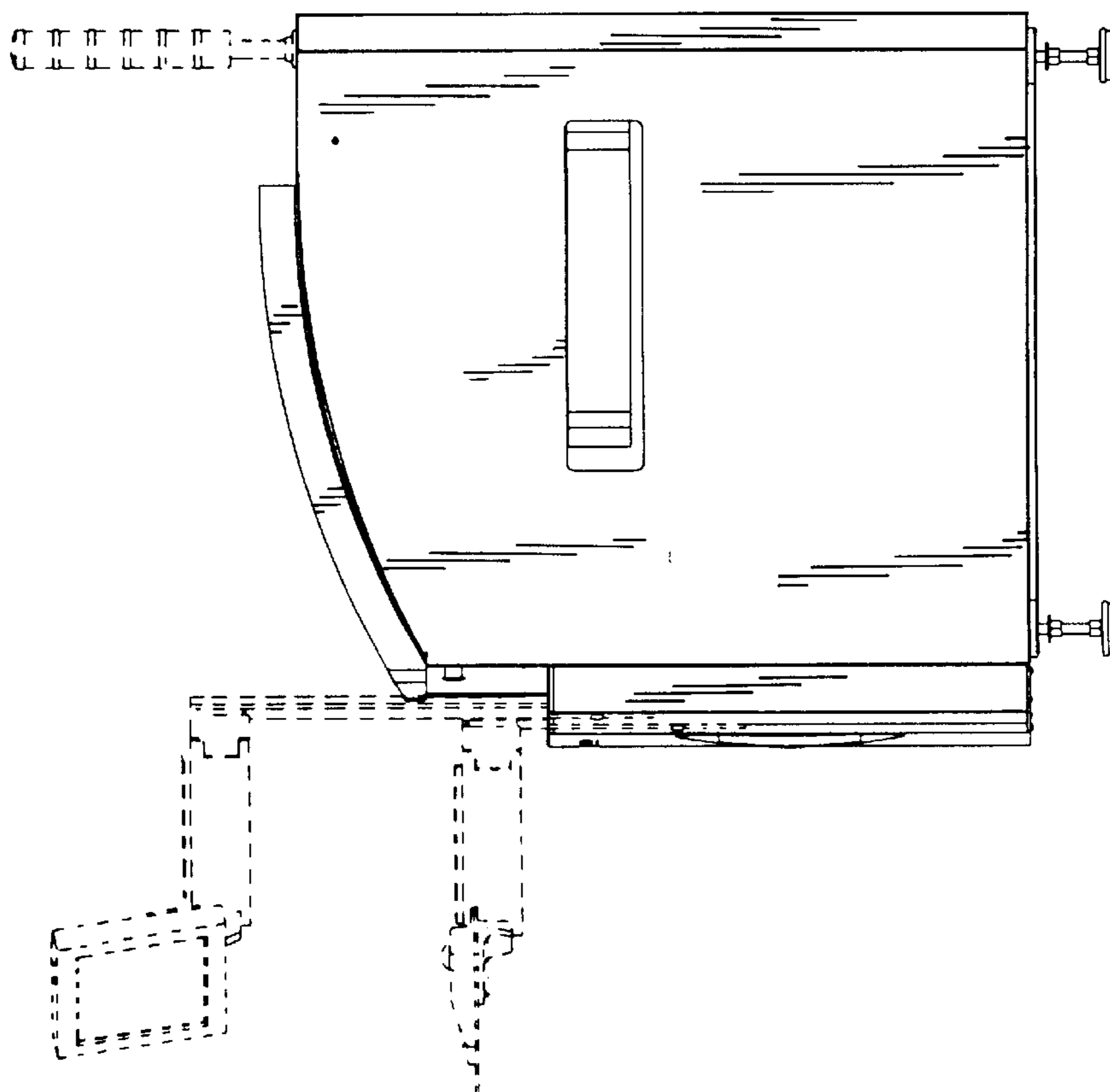


FIG. 4

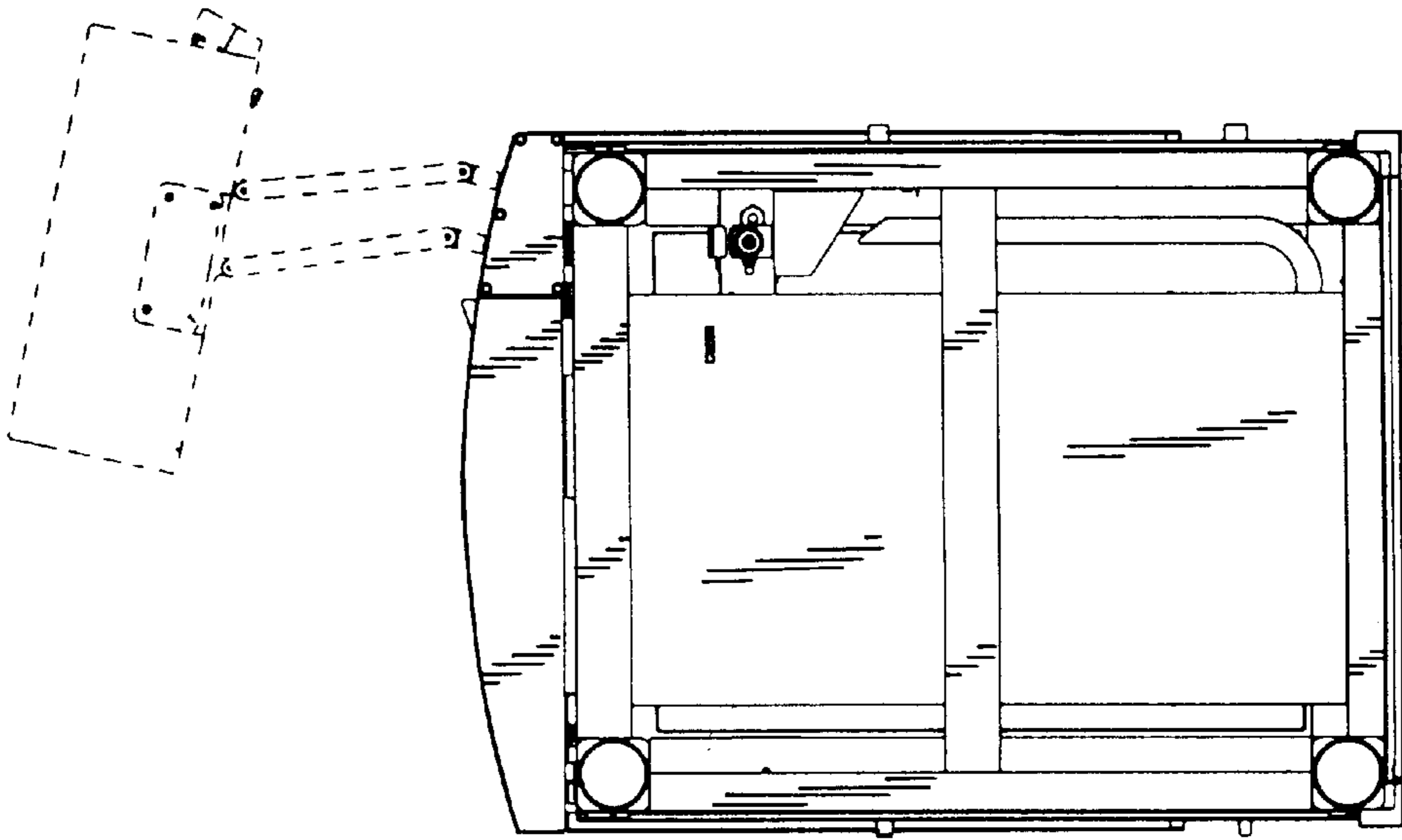


FIG. 7

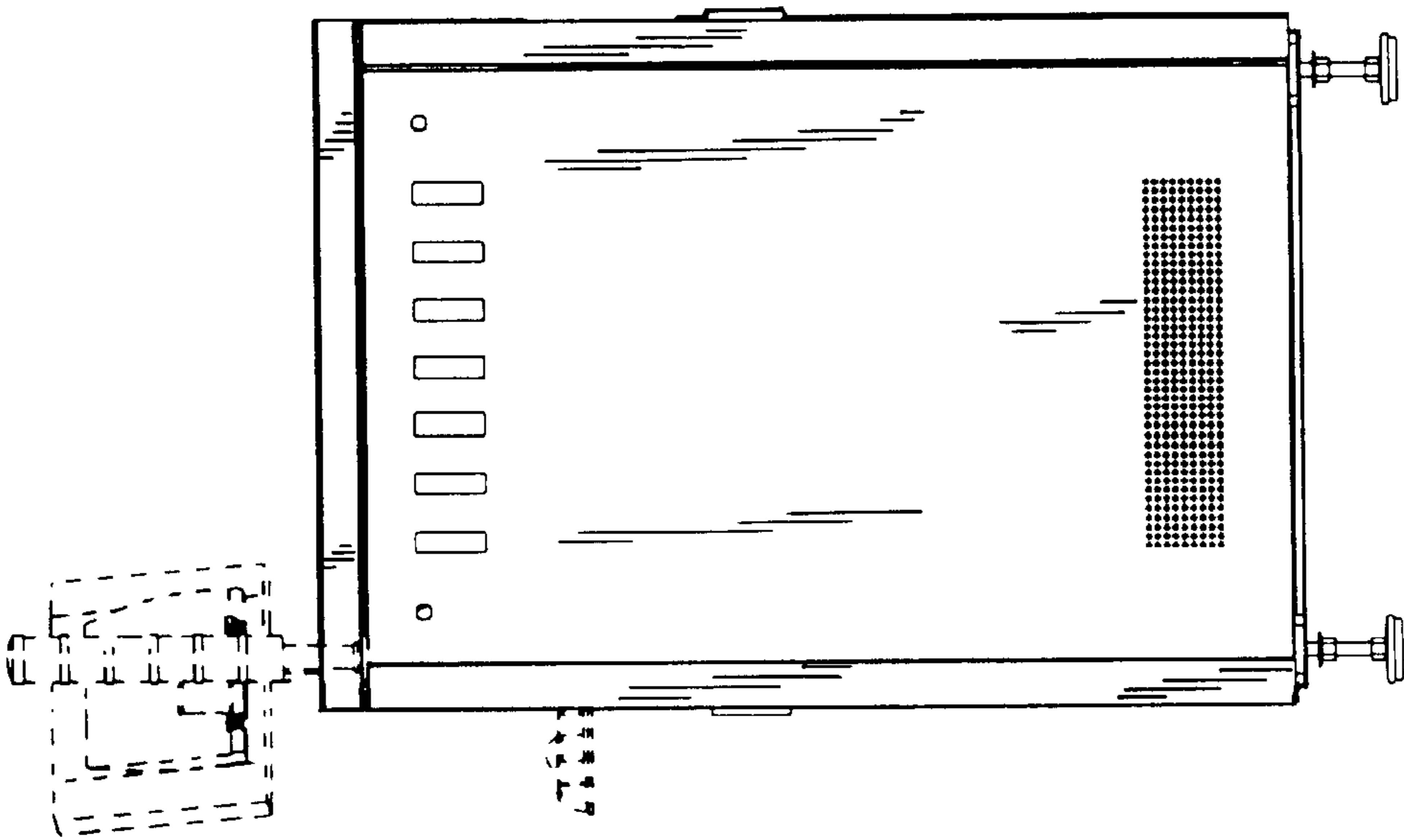


FIG. 6