



US00D446791B1

(12) **United States Design Patent**
Beckham

(10) **Patent No.:** **US D446,791 S**

(45) **Date of Patent:** **** Aug. 21, 2001**

(54) **MANIFOLD**

(75) Inventor: **David Scott Beckham**, Newport Beach, CA (US)

(73) Assignee: **Stryker Corporation**, Kalamazoo, MI (US)

(**) Term: **14 Years**

(21) Appl. No.: **29/118,554**

(22) Filed: **Feb. 11, 2000**

(51) **LOC (7) Cl.** **15-01**

(52) **U.S. Cl.** **D15/1**

(58) **Field of Search** D15/1-5, 194;
60/299, 302, 313, 323, 324; 123/184.35,
184.36, 184.55, 184.61, 572, 52 M

(56) **References Cited**

U.S. PATENT DOCUMENTS

D. 400,890	*	11/1998	Gambardella	D15/5
D. 405,095	*	2/1999	Wada	D15/5
4,794,886	*	1/1989	Iwamuro et al.	123/52 M
5,544,629	*	8/1996	Ohata et al.	123/184.36
5,632,239	*	5/1997	Patyi et al.	123/184.36

* cited by examiner

Primary Examiner—Melody N. Brown

(74) *Attorney, Agent, or Firm*—G. Donald Weber, Jr.

(57) **CLAIM**

The ornamental design for a manifold, as shown and described.

DESCRIPTION

FIG. 1 is a perspective view of the manifold of the instant invention with the cover in place.

FIG. 2 is a front view of the manifold of the instant invention as shown in FIG. 1.

FIG. 3 is a rear view of the manifold of the instant invention as shown in FIG. 1.

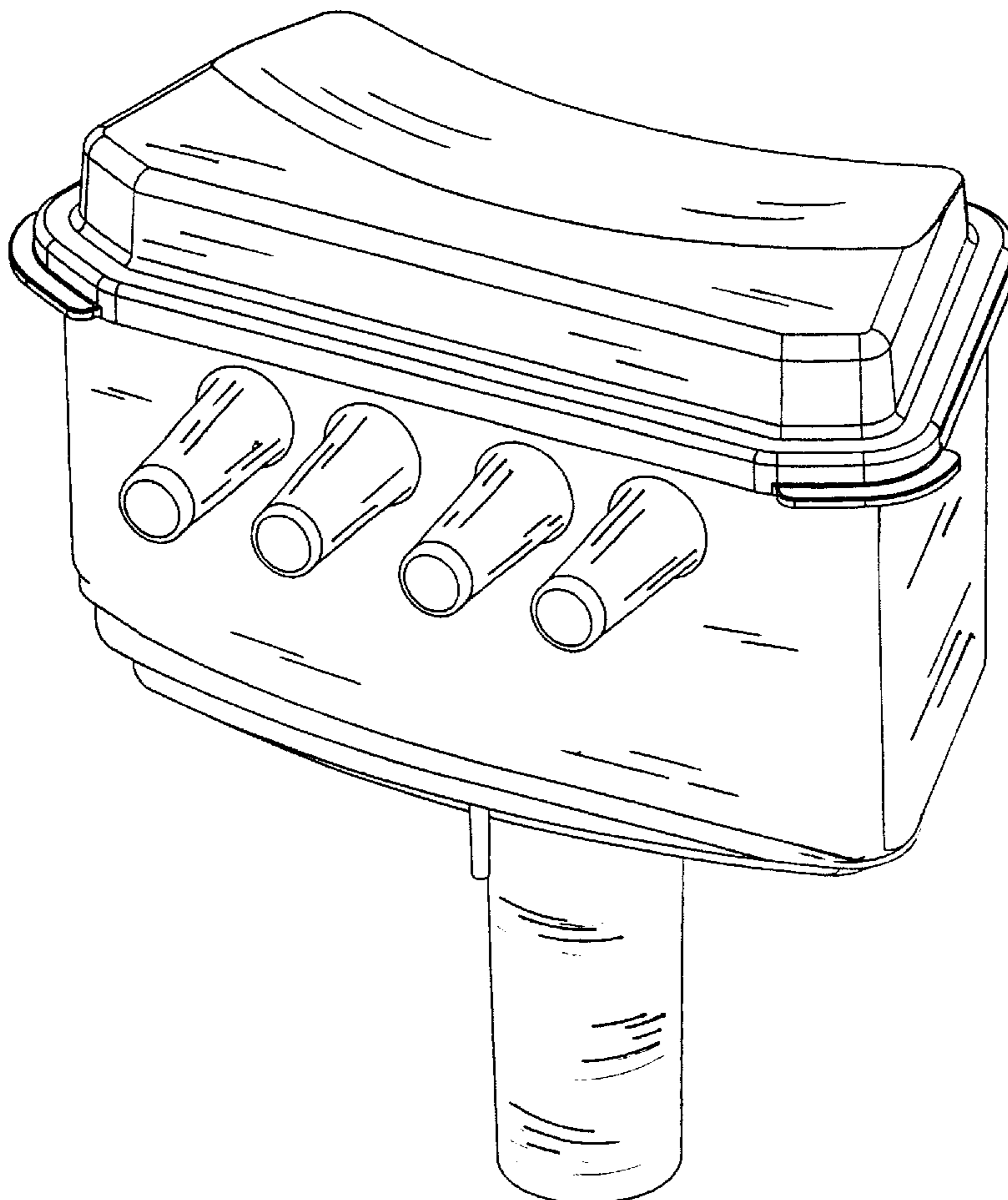
FIG. 4 is an end view of the manifold of the instant invention as shown in FIG. 1. The opposite end view is the mirror image.

FIG. 5 is a top view of the manifold of the instant invention as shown in FIG. 1.

FIG. 6 is a bottom view of the manifold of the instant invention as shown in FIG. 1; and,

FIG. 7 is a perspective view of the manifold of the instant invention with the cover removed.

1 Claim, 7 Drawing Sheets



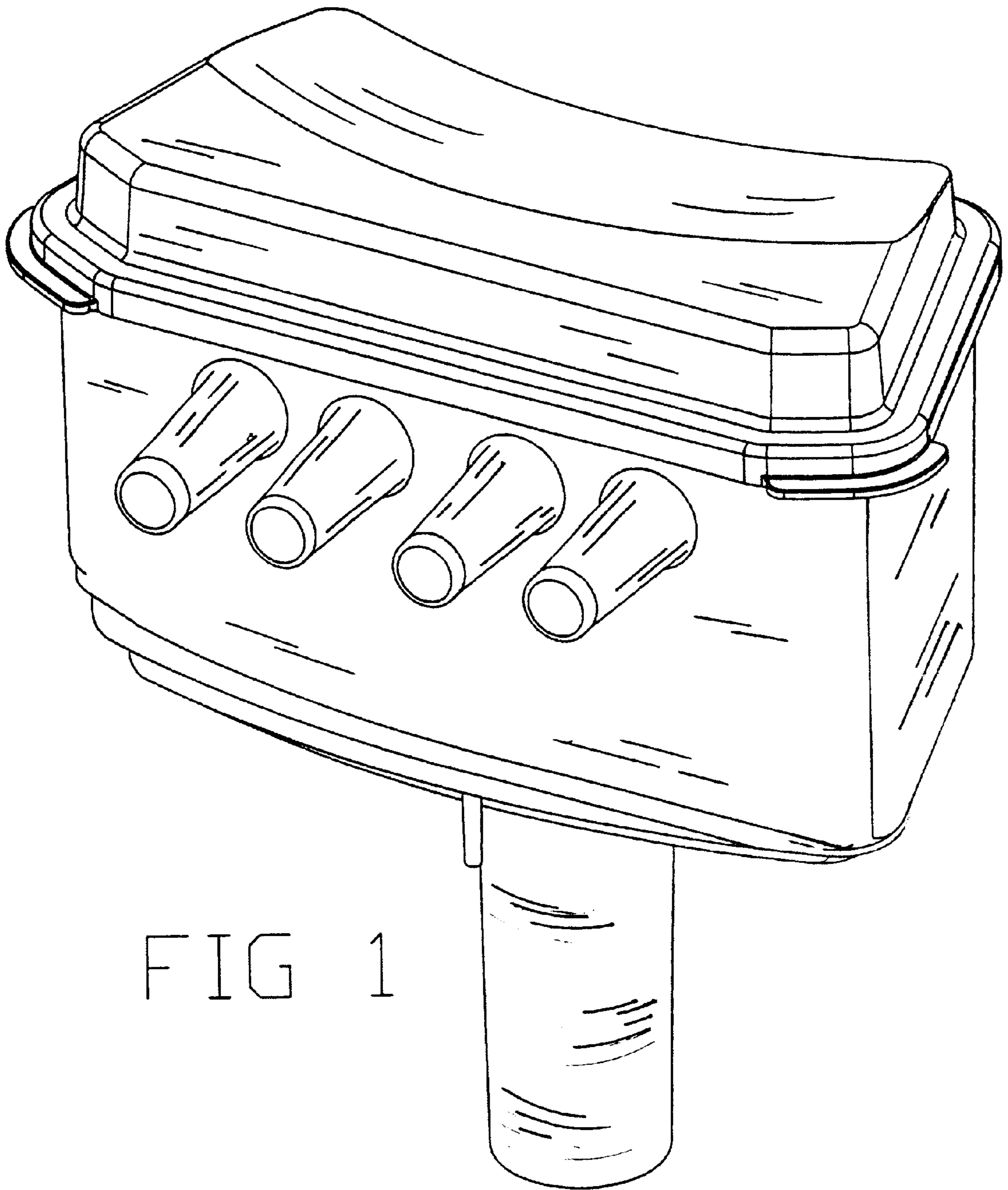


FIG 1

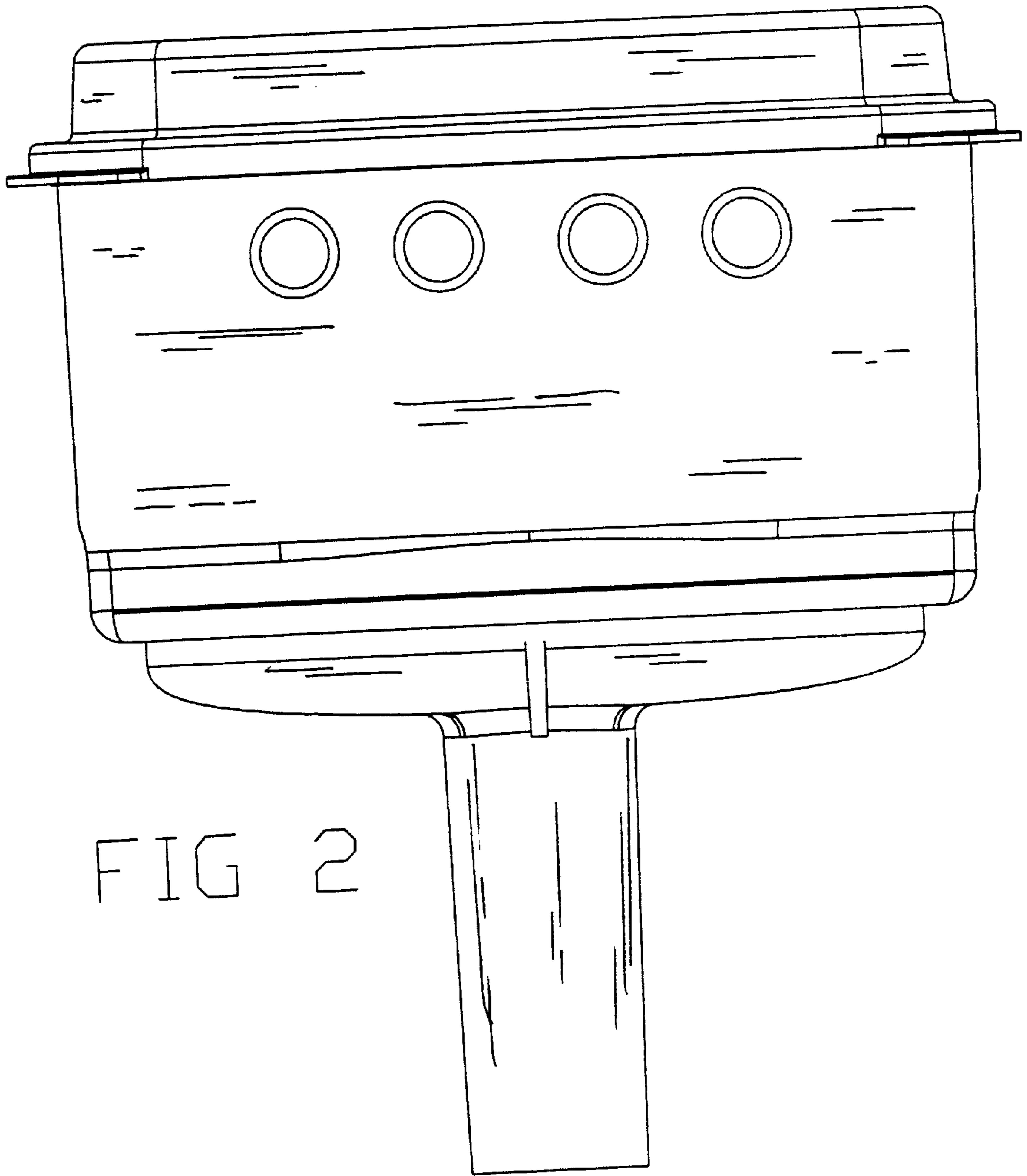
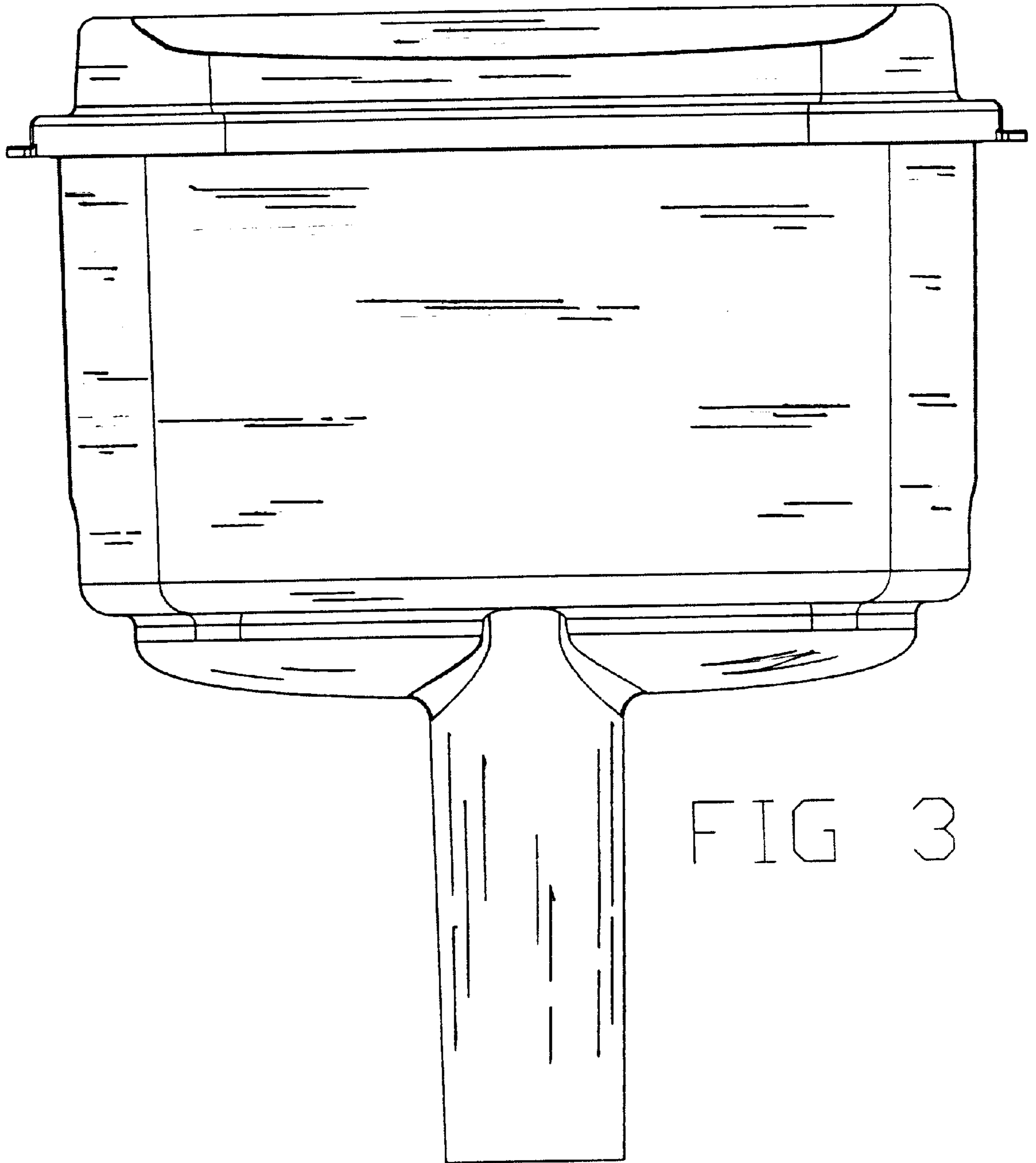


FIG 2



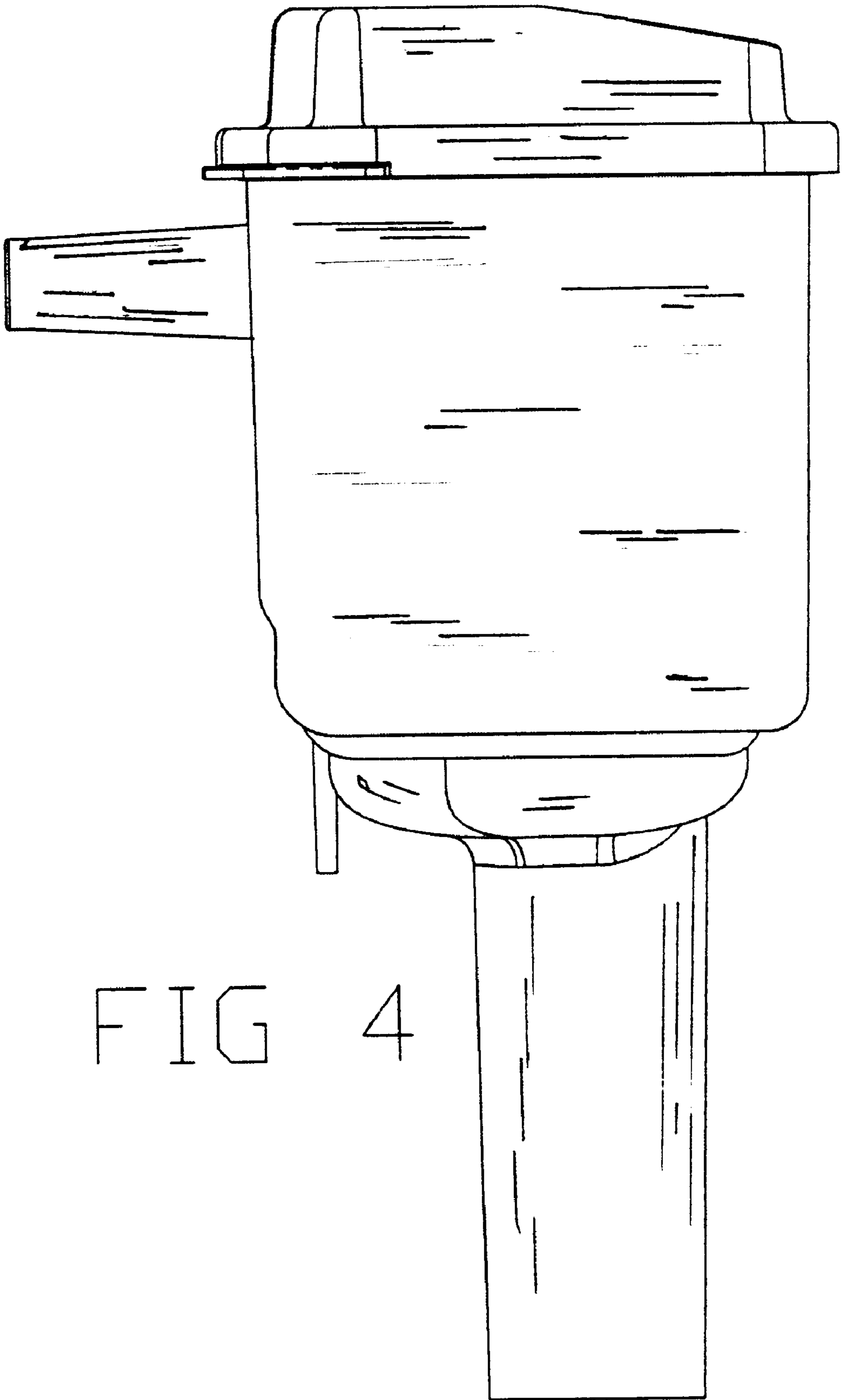


FIG 4

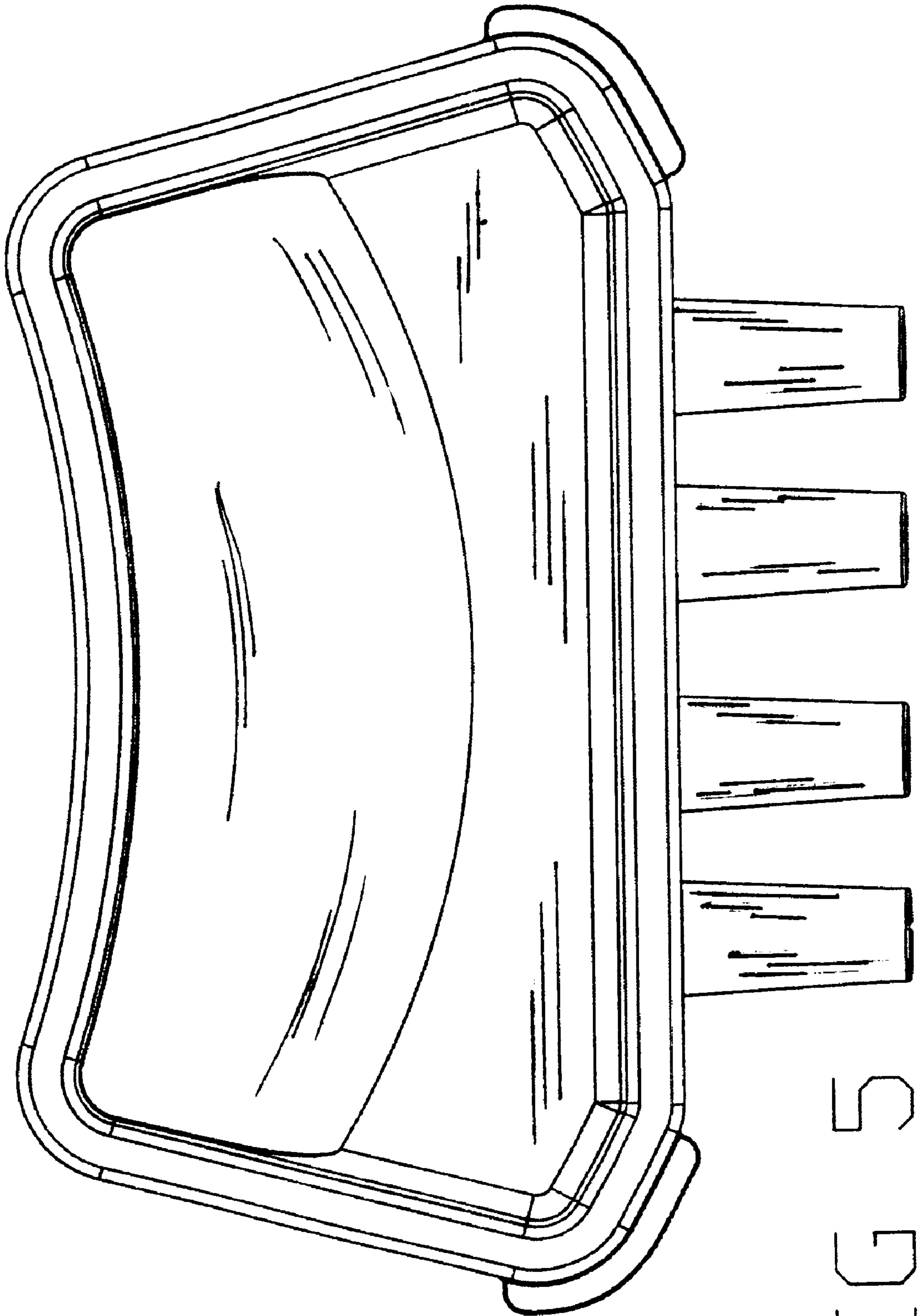


FIG 5

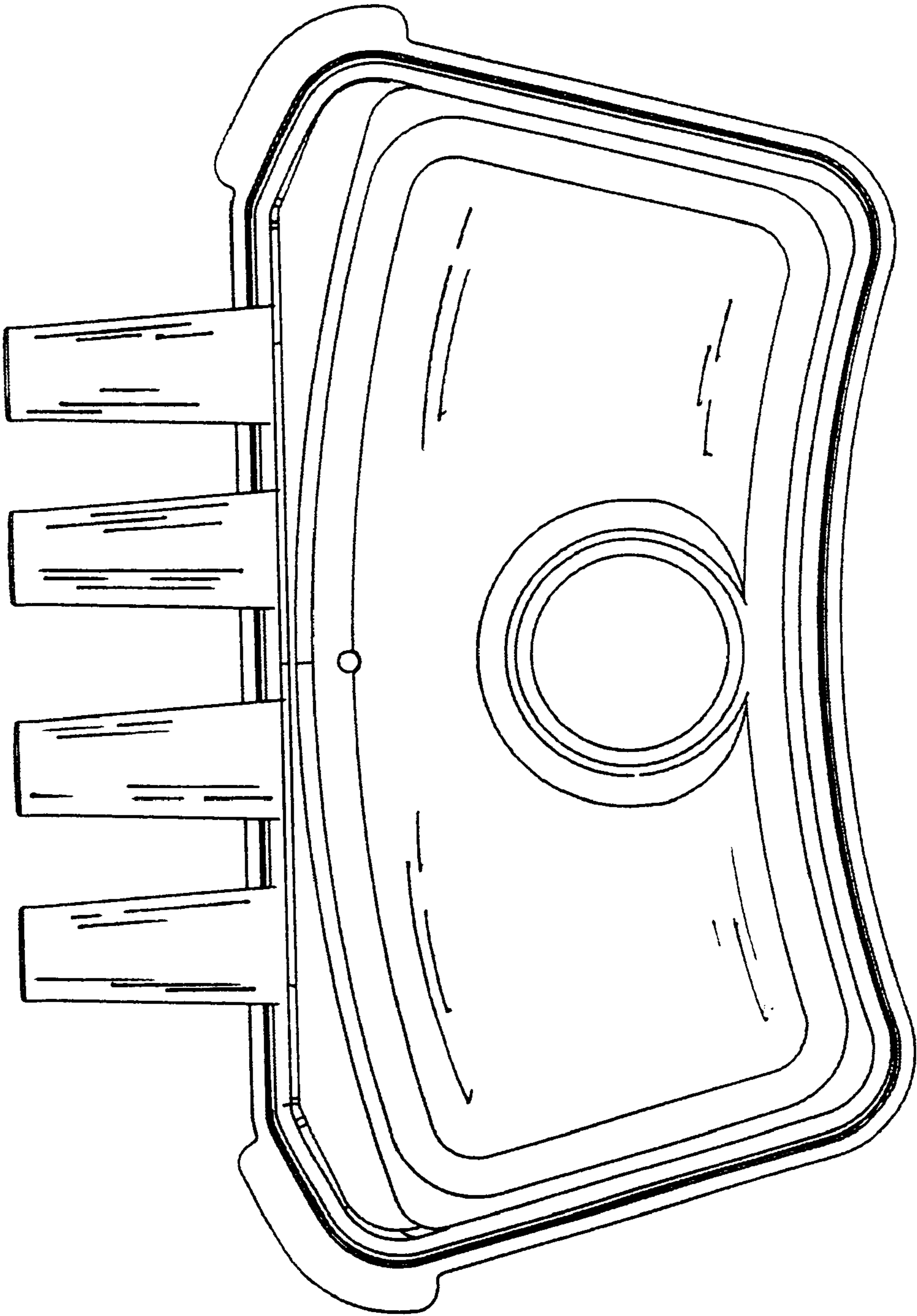


FIG 6

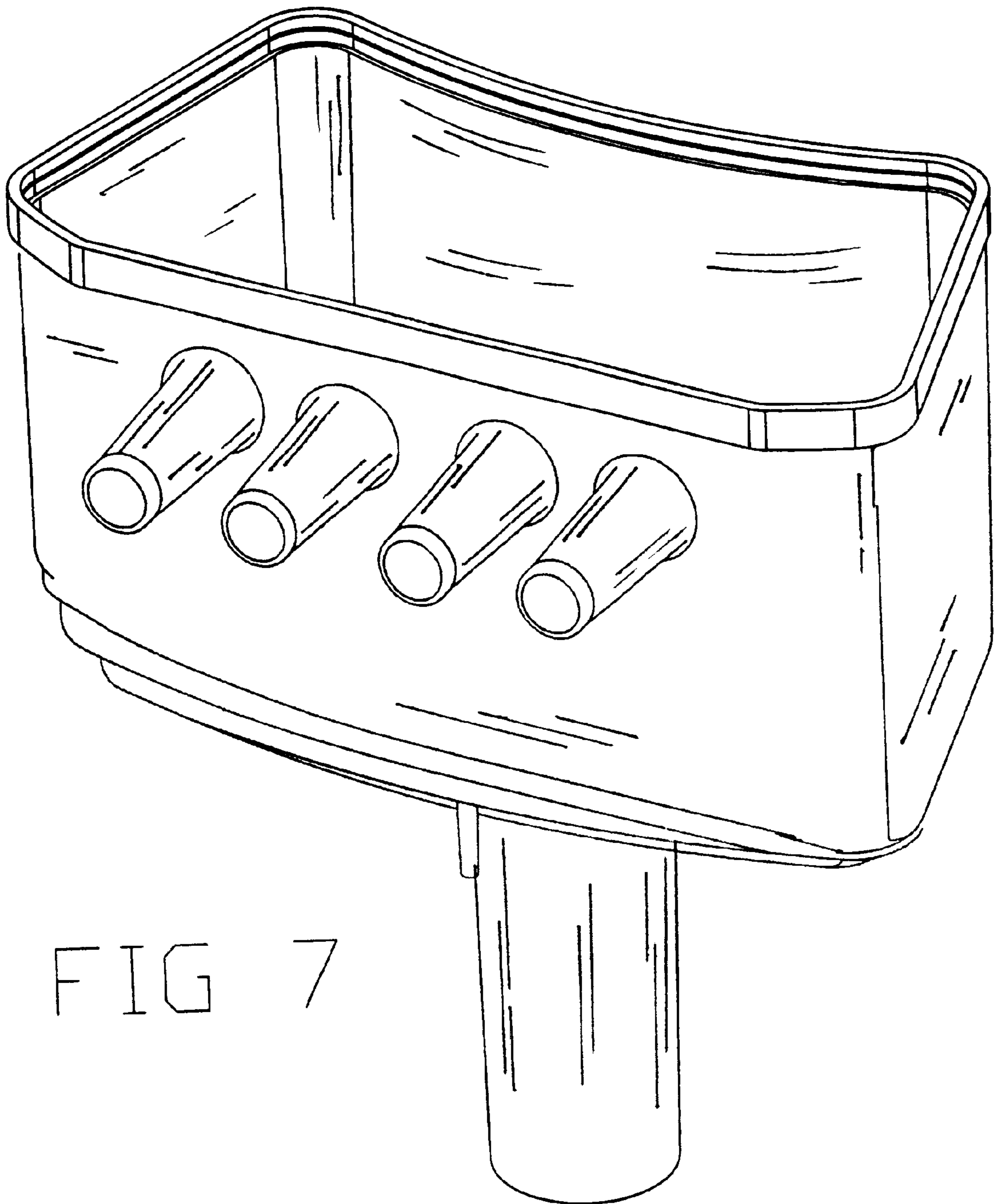


FIG 7