



US00D446788B1

(12) **United States Design Patent**
Chen

(10) **Patent No.:** **US D446,788 S**

(45) **Date of Patent:** **** Aug. 21, 2001**

(54) **DATA STORAGE DEVICE MOUNTING RAIL**

(75) Inventor: **Chia Hua Chen, Tu-Chen (TW)**

(73) Assignee: **Hon Hai Precision Ind. Co., Ltd.,
Taipei Hsien (TW)**

(**) Term: **14 Years**

(21) Appl. No.: **29/114,768**

(22) Filed: **Nov. 30, 1999**

(30) **Foreign Application Priority Data**

Aug. 31, 1999 (TW) 88305701

(51) **LOC (7) Cl.** **14-02**

(52) **U.S. Cl.** **D14/439**

(58) **Field of Search** D14/432, 439;
D8/354, 380; 439/631, 377; 312/334.7,
223.2; 361/685, 683-4

(56) **References Cited**

U.S. PATENT DOCUMENTS

5,262,923 * 11/1993 Batta et al. .

5,587,889 * 12/1996 Sacherman .

5,599,080 * 2/1997 Ho .

5,683,159 * 11/1997 Johnson .

5,806,949 * 9/1998 Johnson .

6,033,264 * 3/2000 Feye-Hohmann .

* cited by examiner

Primary Examiner—M. H. Tung

(74) *Attorney, Agent, or Firm*—Wei Te Chung

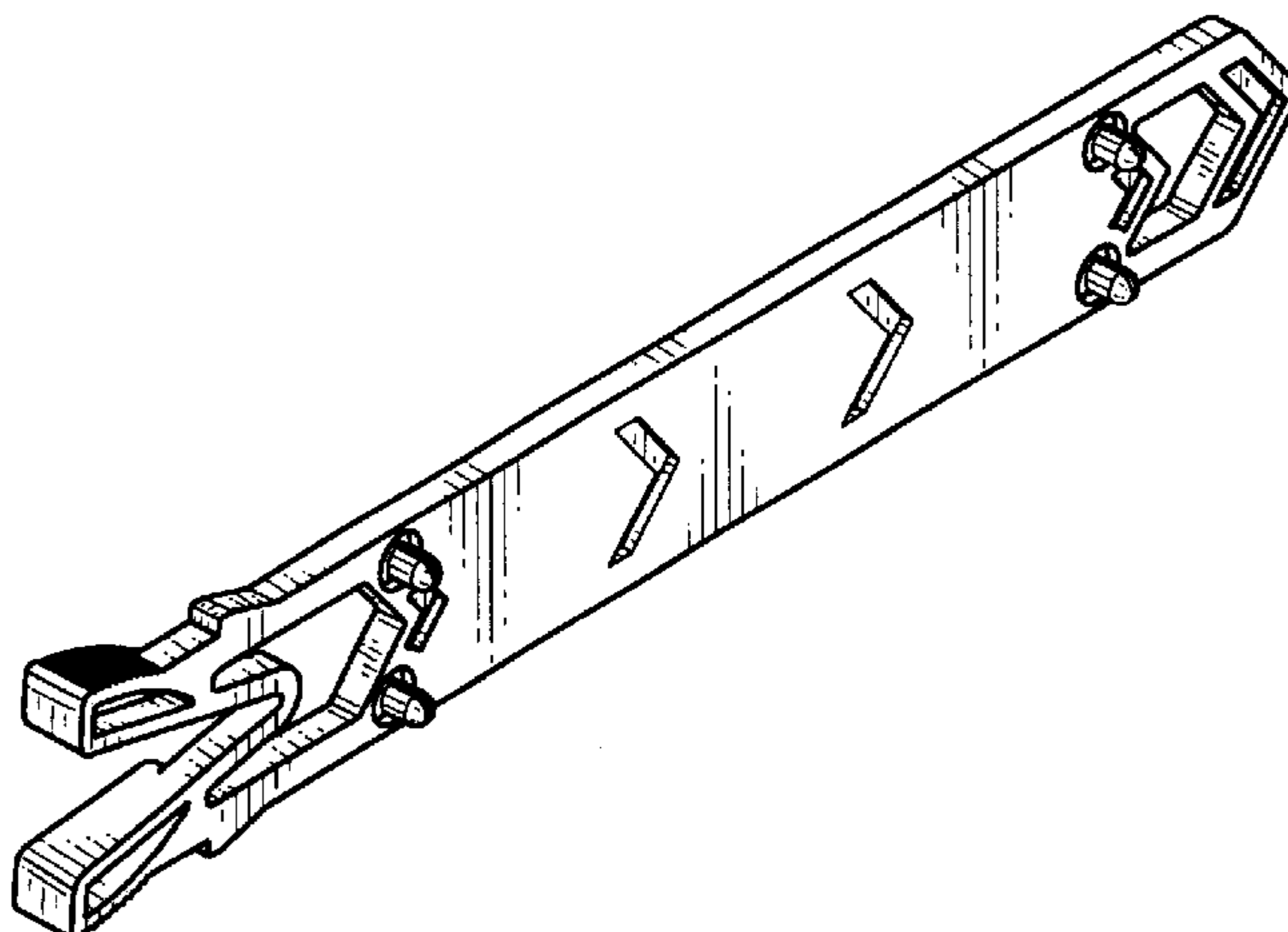
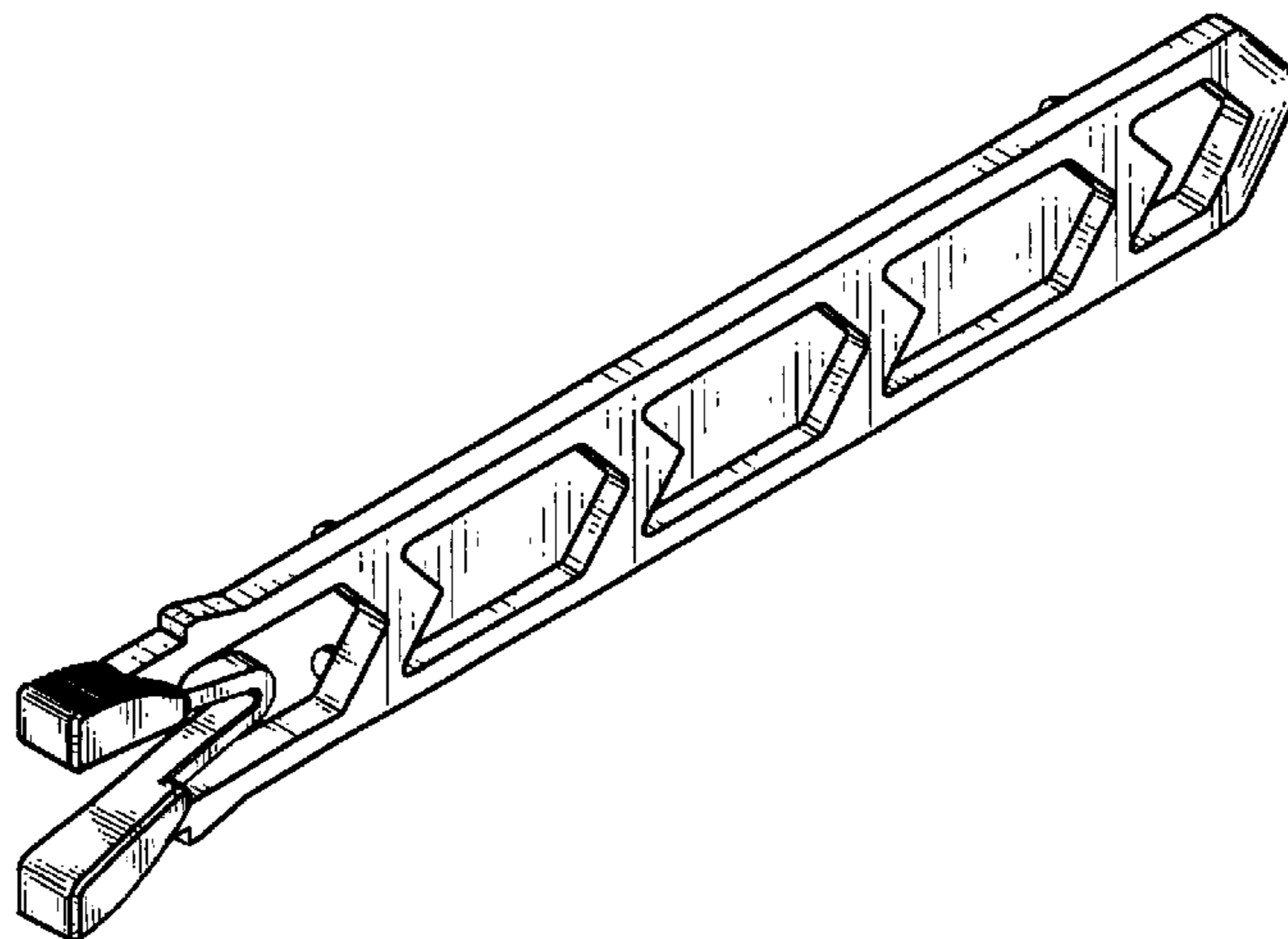
(57) **CLAIM**

The ornamental design for a data storage device mounting rail, as shown and described.

DESCRIPTION

FIG. 1 is a front perspective view of a data storage device mounting rail showing our new design, on a reduced scale; FIG. 2 is a rear perspective view thereof, on a reduced scale; FIG. 3 is a front elevational view thereof; FIG. 4 is a rear elevational view thereof; FIG. 5 is a left side elevational view thereof; FIG. 6 is a right side elevational view thereof; FIG. 7 is a top plan view thereof; and, FIG. 8 is a bottom plan view thereof.

1 Claim, 3 Drawing Sheets



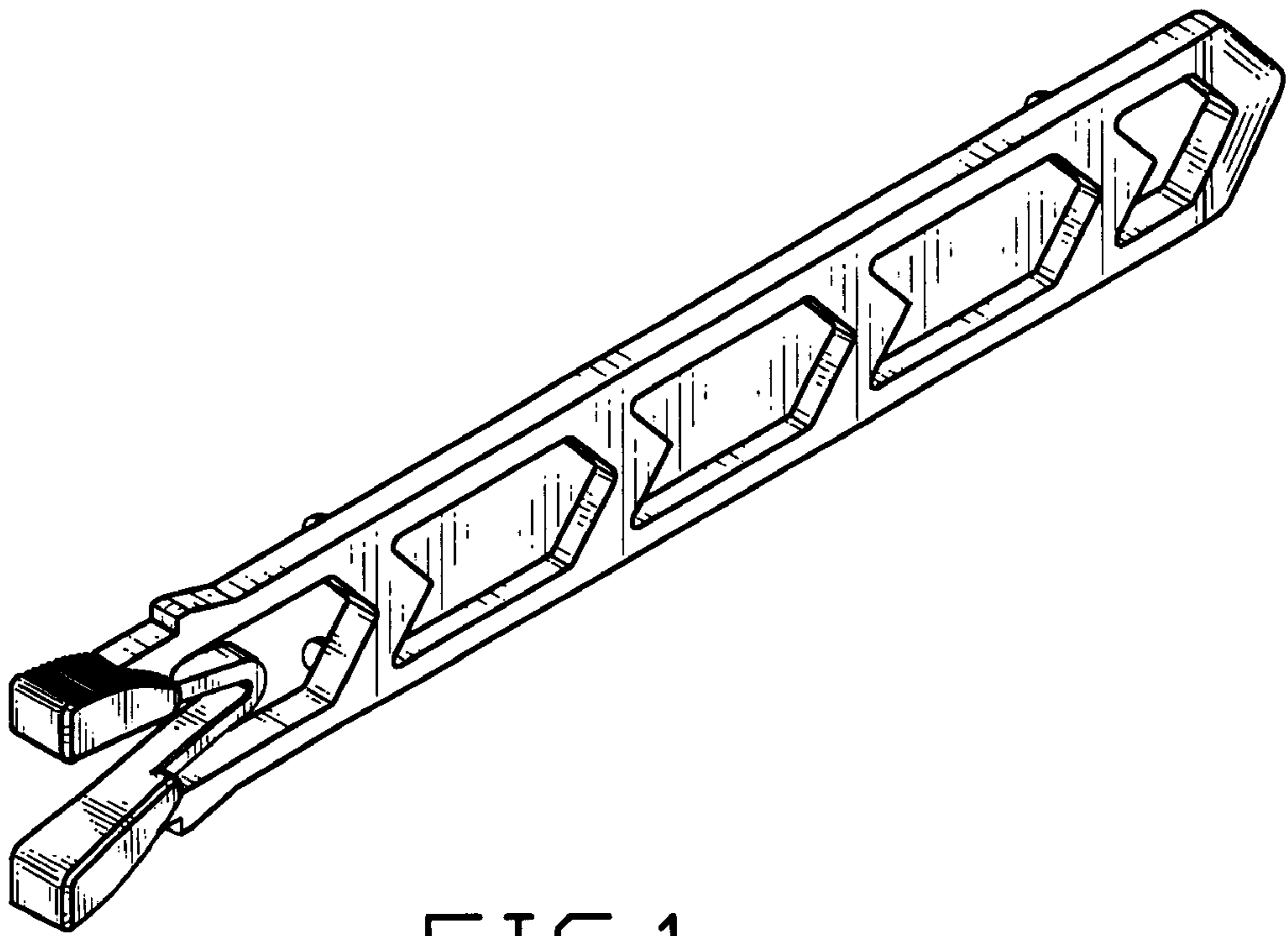


FIG.1

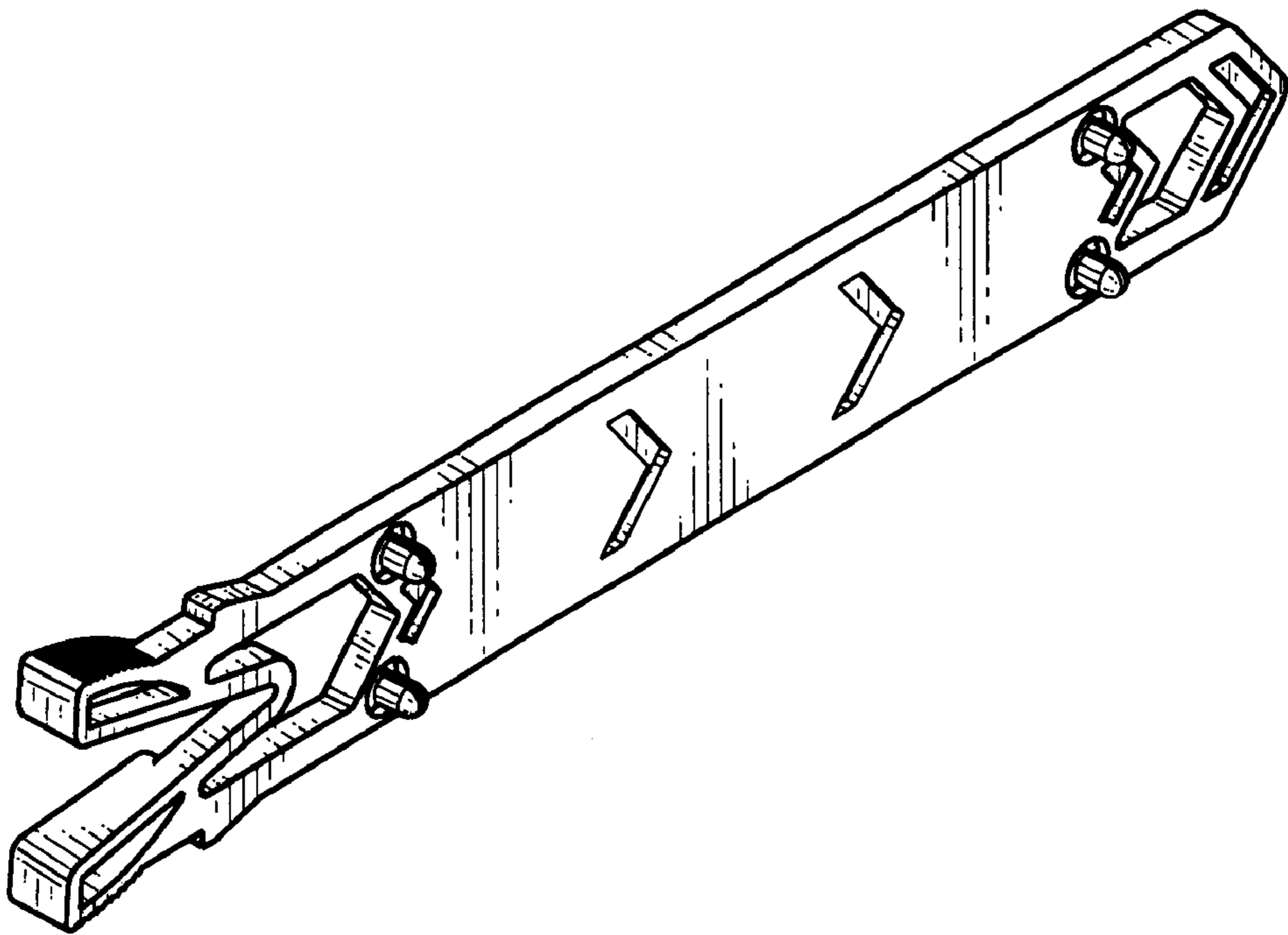


FIG.2

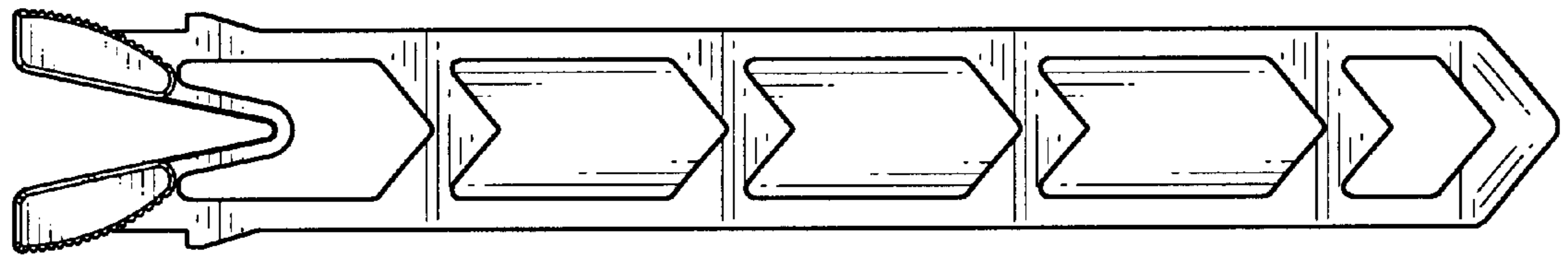


FIG.3

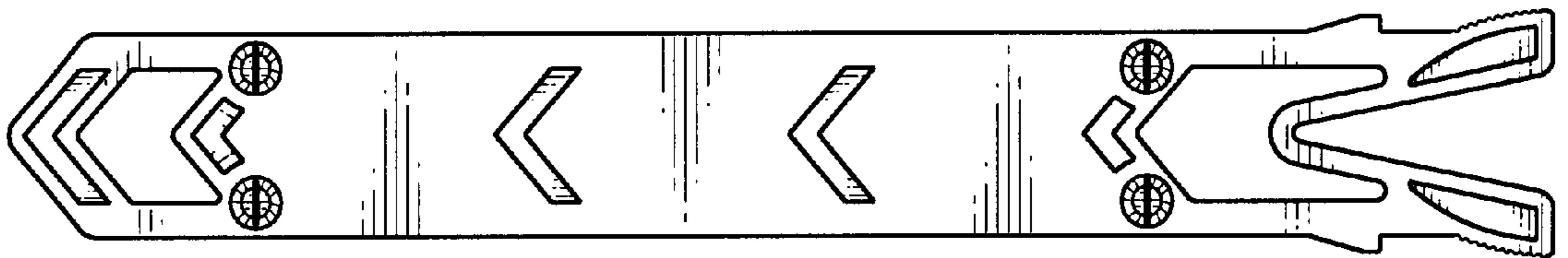


FIG.4

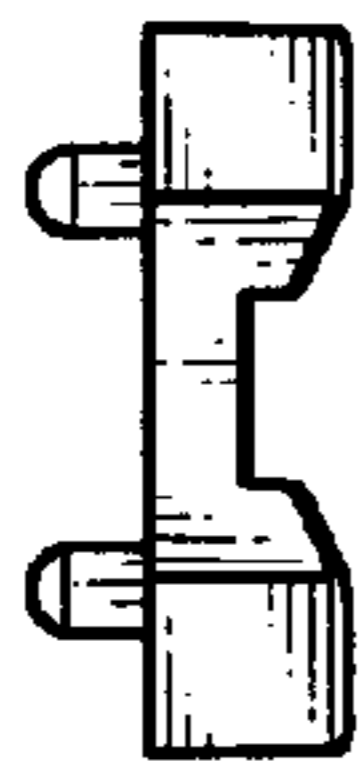


FIG. 5

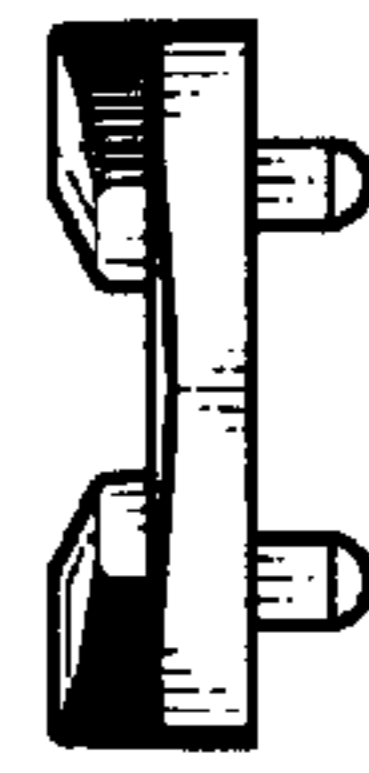


FIG. 6

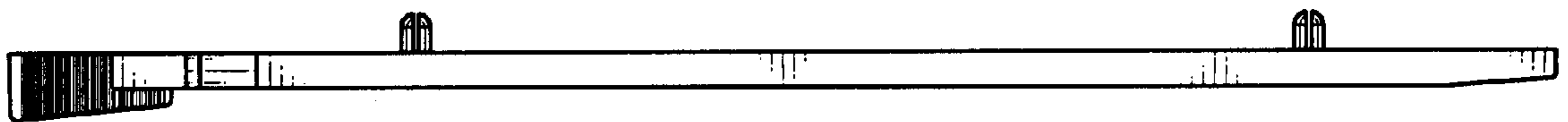


FIG. 7

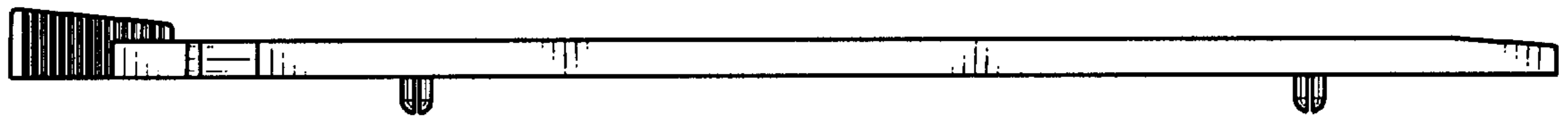


FIG. 8