



US00D446786B1

(12) **United States Design Patent**
Nakahara et al.

(10) **Patent No.:** **US D446,786 S**

(45) **Date of Patent:** **** Aug. 21, 2001**

(54) **PORTION OF PORTABLE TELEPHONE**

(75) Inventors: **Yoshihito Nakahara; Tadamasa Hayakawa; Atsushi Musha**, all of Tokyo (JP)

(73) Assignee: **Mitsubishi Denki Kabushiki Kaisha**, Tokyo (JP)

(**) Term: **14 Years**

(21) Appl. No.: **29/126,875**

(22) Filed: **Jul. 27, 2000**

(30) **Foreign Application Priority Data**

Feb. 3, 2000 (JP) 12-001629

(51) **LOC (7) Cl.** **14-03**

(52) **U.S. Cl.** **D14/248; D14/249**

(58) **Field of Search** D14/137, 138, D14/218, 147-148, 247-248, 144, 249, 341-347; 379/433.434, 419, 420, 428, 440; 455/550-575, 90; 348/14.01, 14.02

(56) **References Cited**

U.S. PATENT DOCUMENTS

- D. 388,784 * 1/1998 Phillips et al. D14/138
- D. 405,783 * 2/1999 Nuovo et al. D14/138
- D. 406,135 * 2/1999 Nagano et al. D14/138
- D. 406,835 * 3/1999 Yamasaki D14/138
- D. 407,722 * 4/1999 Nagano et al. D14/138
- D. 409,598 * 5/1999 Tattari D14/138
- D. 409,599 * 5/1999 Tattari D14/138
- D. 411,994 7/1999 Nakahara et al. .
- D. 415,770 * 10/1999 Nuovo D14/248
- D. 421,022 * 2/2000 Curtis D14/248
- D. 422,596 4/2000 Nakahara et al. .
- D. 426,531 * 6/2000 Chikaraishi et al. D14/138

- D. 430,858 9/2000 Nakahara et al. .
- D. 434,018 * 11/2000 Nakahara et al. D14/138
- D. 434,754 * 12/2000 Banryu D14/248
- D. 434,755 * 12/2000 Banryu D14/248
- D. 436,938 * 1/2001 Won D14/138
- 5,848,152 * 12/1998 Slipy et al. 379/433
- 6,084,962 * 7/2000 Plenge 379/433
- 6,097,964 * 8/2000 Nuovo et al. 455/550
- 6,122,530 * 9/2000 Overy et al. 455/566

* cited by examiner

Primary Examiner—Jeffrey Asch

(74) *Attorney, Agent, or Firm*—Oblon, Spivak, McClelland, Maier & Neustadt, P.C.

(57) **CLAIM**

The ornamental design for a portion of portable telephone, as shown.

DESCRIPTION

FIG. 1 is a front, top and right side perspective view of a portion of portable telephone, showing our new design; FIG. 2 is a front elevational view thereof; FIG. 3 is a rear elevational view thereof; FIG. 4 is a top plan view thereof; FIG. 5 is a bottom plan view thereof; FIG. 6 is a left side elevational view thereof; FIG. 7 is a right side elevational view thereof; FIG. 8 is an enlarged cross-sectional view thereof, taken along line 8—8 of FIG. 2, with the internal system omitted; and, FIG. 9 is a front, top and right side perspective view with the front cover opened thereof.

The broken line showing of a telephone handset throughout the views is for illustrative purposes only and forms no part of the claimed design.

1 Claim, 4 Drawing Sheets

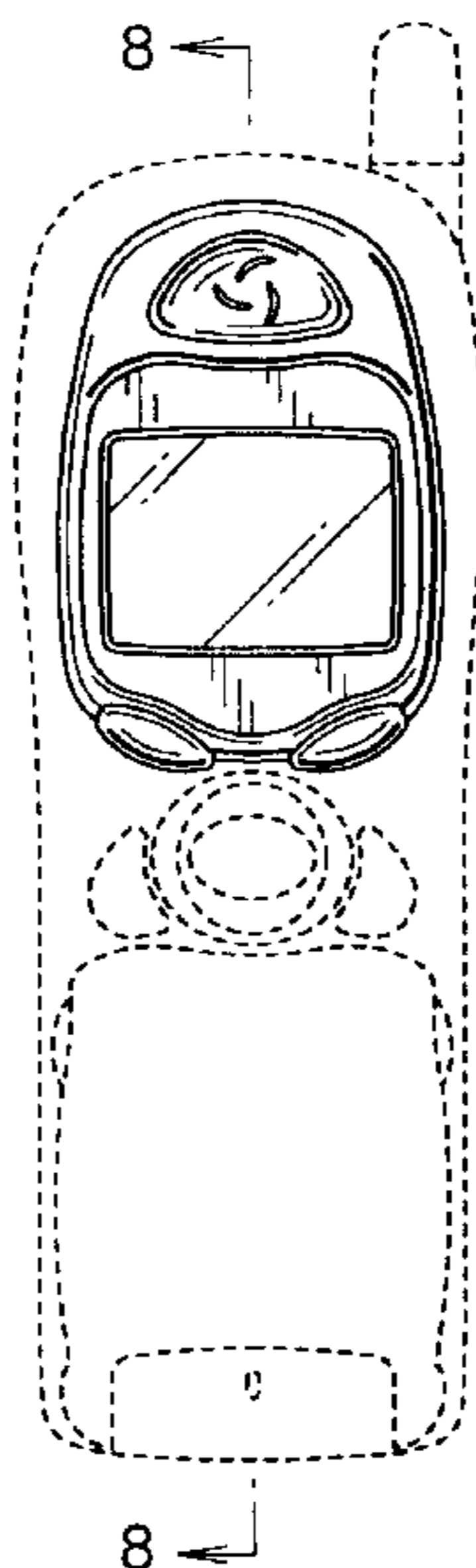


FIG. 1

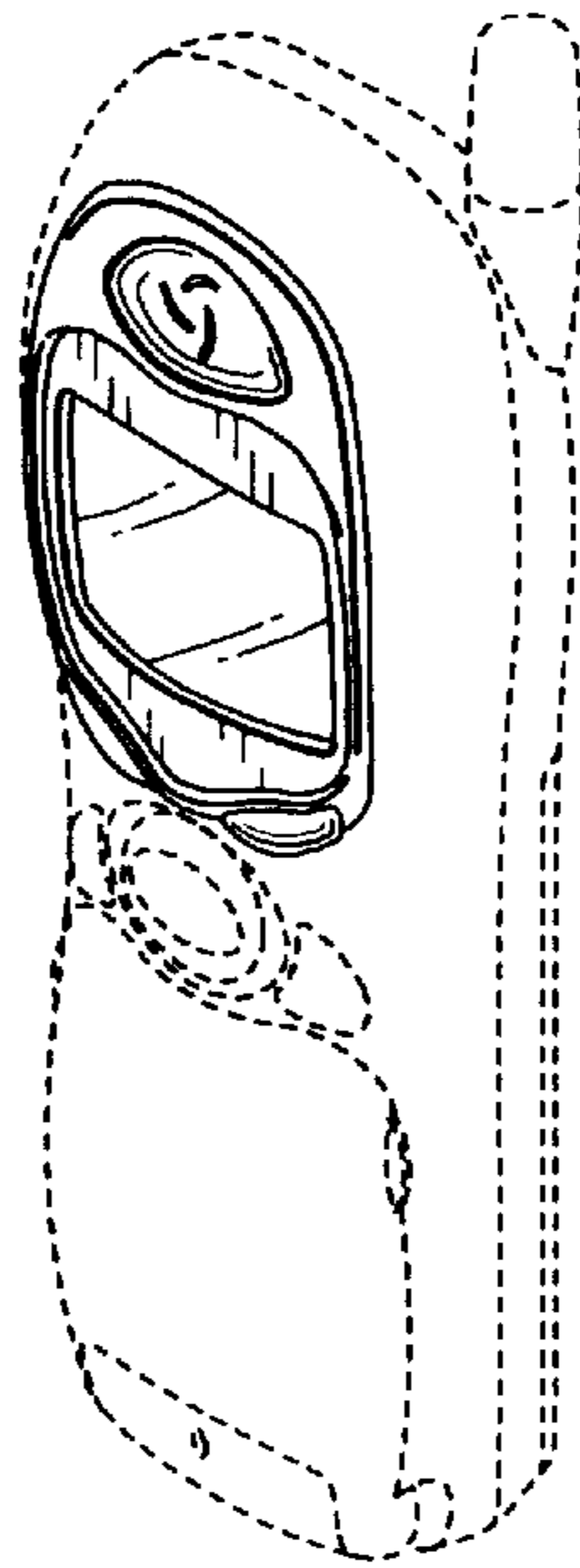


FIG. 2

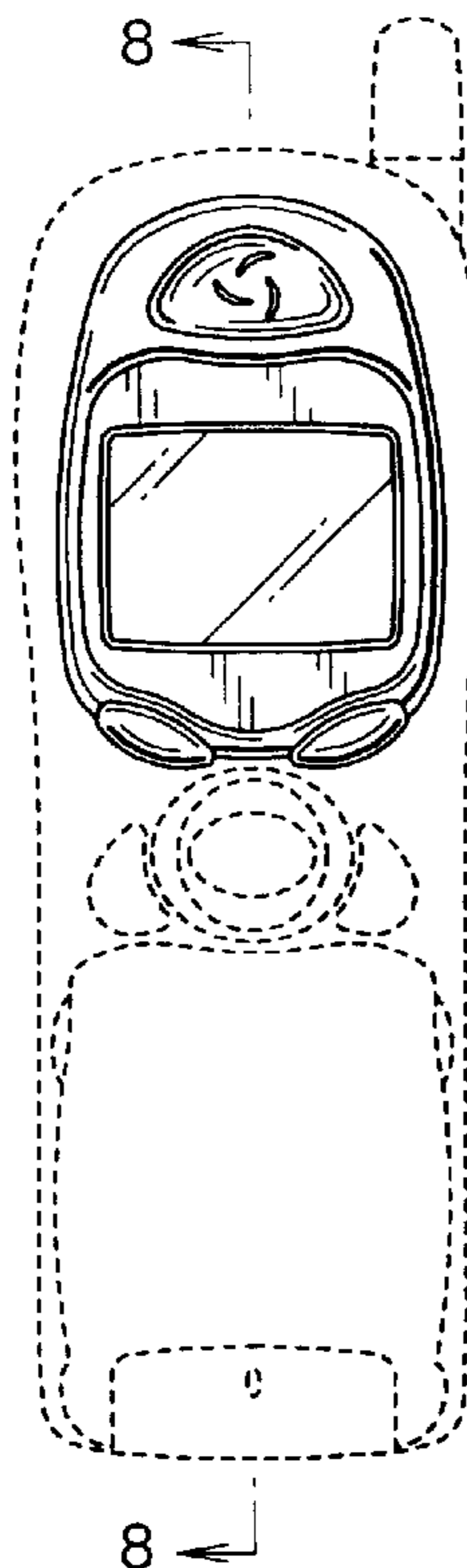


FIG. 3

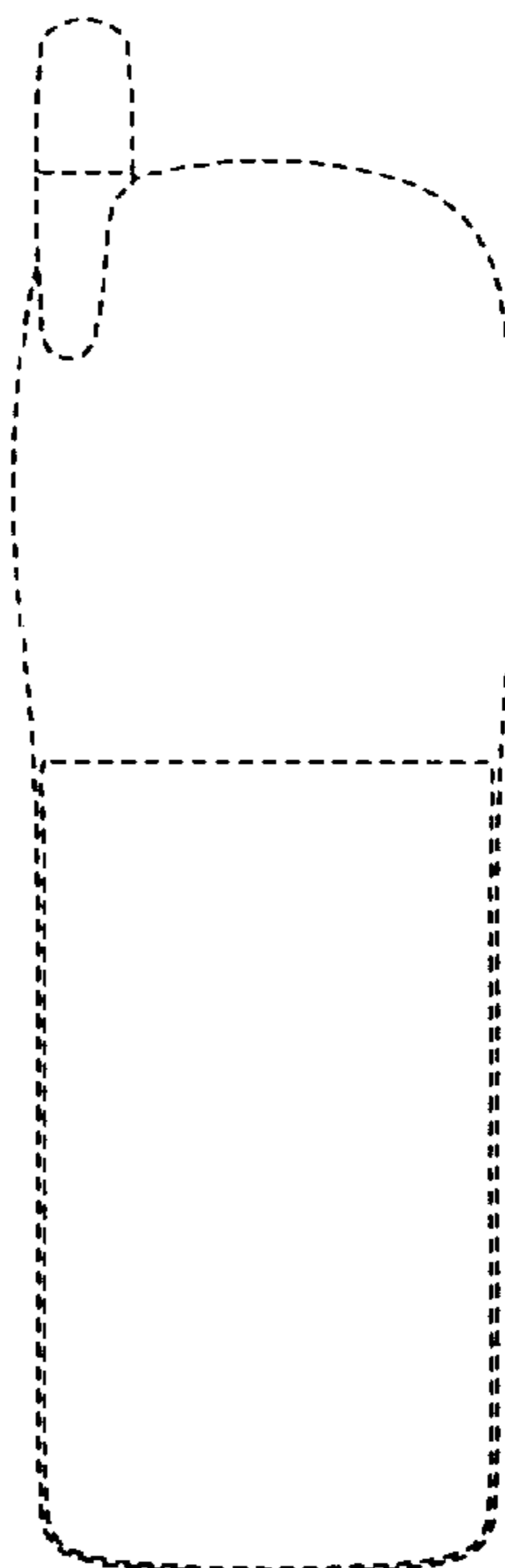


FIG.4

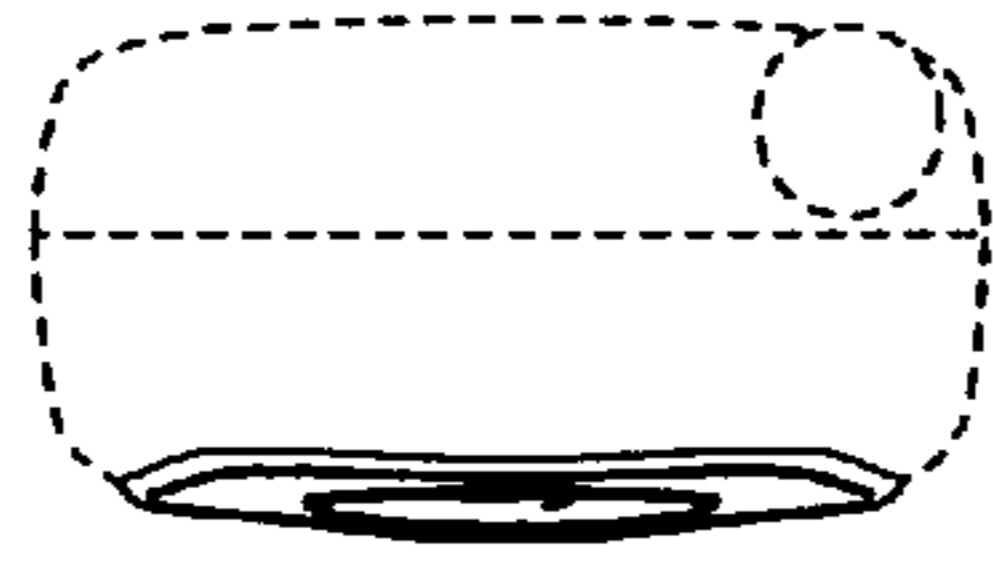


FIG.5

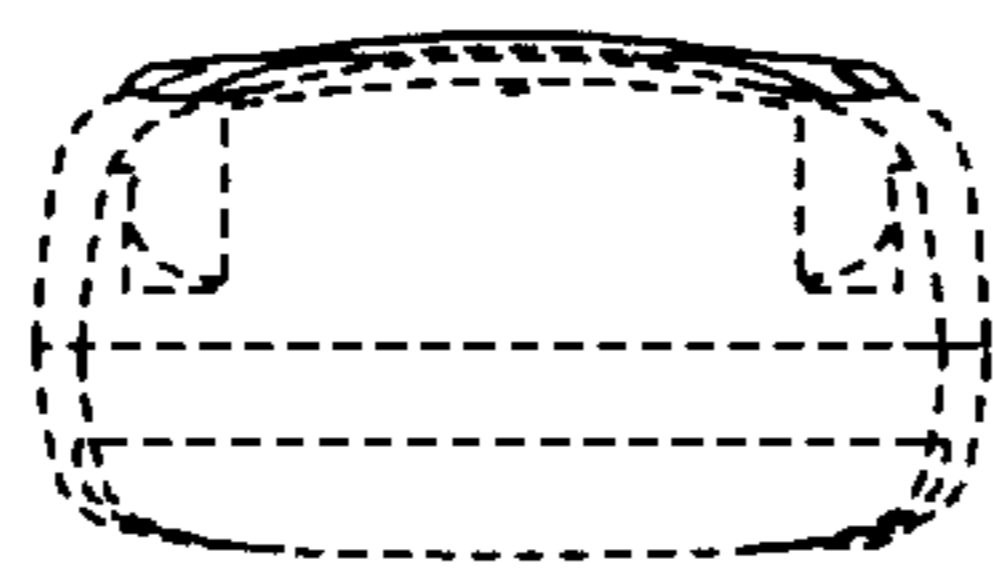


FIG.6

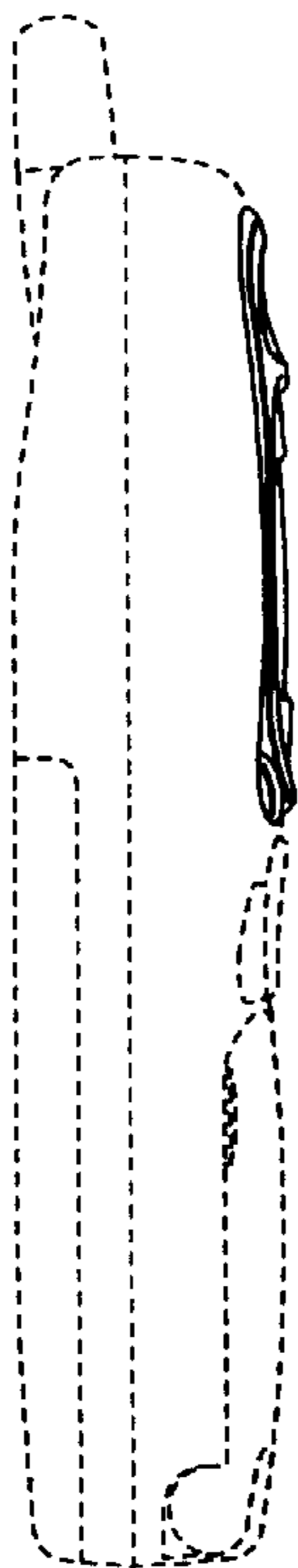


FIG.7

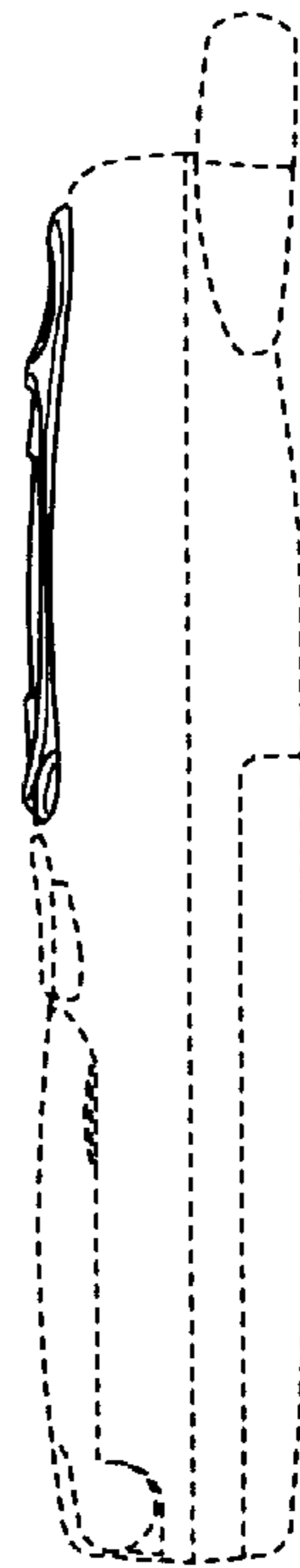


FIG. 8

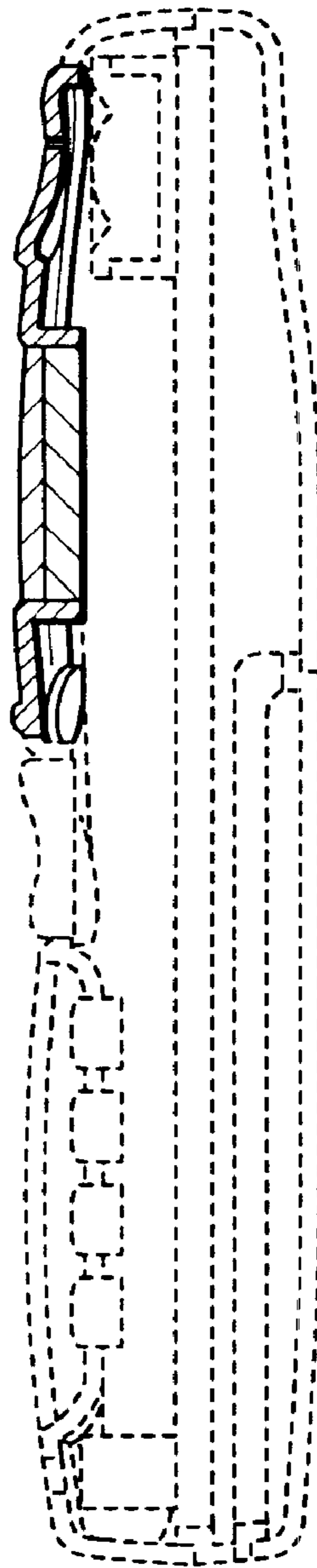


FIG. 9

