



US00D446785B1

(12) **United States Design Patent**  
**Ohta**

(10) **Patent No.:** **US D446,785 S**

(45) **Date of Patent:** **\*\* Aug. 21, 2001**

(54) **LOUDSPEAKER WITH A SOCKET**

(75) **Inventor:** **Yoshizumi Ohta, Fujiyoshida (JP)**

(73) **Assignee:** **Citizen Electronics Co., Ltd.,  
Yamanashi-ken (JP)**

(\*\*) **Term:** **14 Years**

(21) **Appl. No.:** **29/126,876**

(22) **Filed:** **Jul. 27, 2000**

(30) **Foreign Application Priority Data**

Jan. 31, 2000 (JP) ..... 12-001456

(51) **LOC (7) Cl.** ..... **14-01**

(52) **U.S. Cl.** ..... **D14/216**

(58) **Field of Search** ..... D14/204, 207,  
D14/209-216, 219-222; 181/144-148,  
153, 157, 198-199; 381/300-302, 307,  
359, 361, 363, 386

(56) **References Cited**

**U.S. PATENT DOCUMENTS**

D. 302,980 \* 8/1989 Van De Ven ..... D14/219

D. 328,900 \* 8/1992 Harle ..... D14/216  
D. 334,935 \* 4/1993 Goto ..... D14/216  
D. 349,499 \* 8/1994 Collins ..... D14/216  
5,133,428 \* 7/1992 Perrson ..... 181/153

\* cited by examiner

*Primary Examiner*—Nanda Bondade

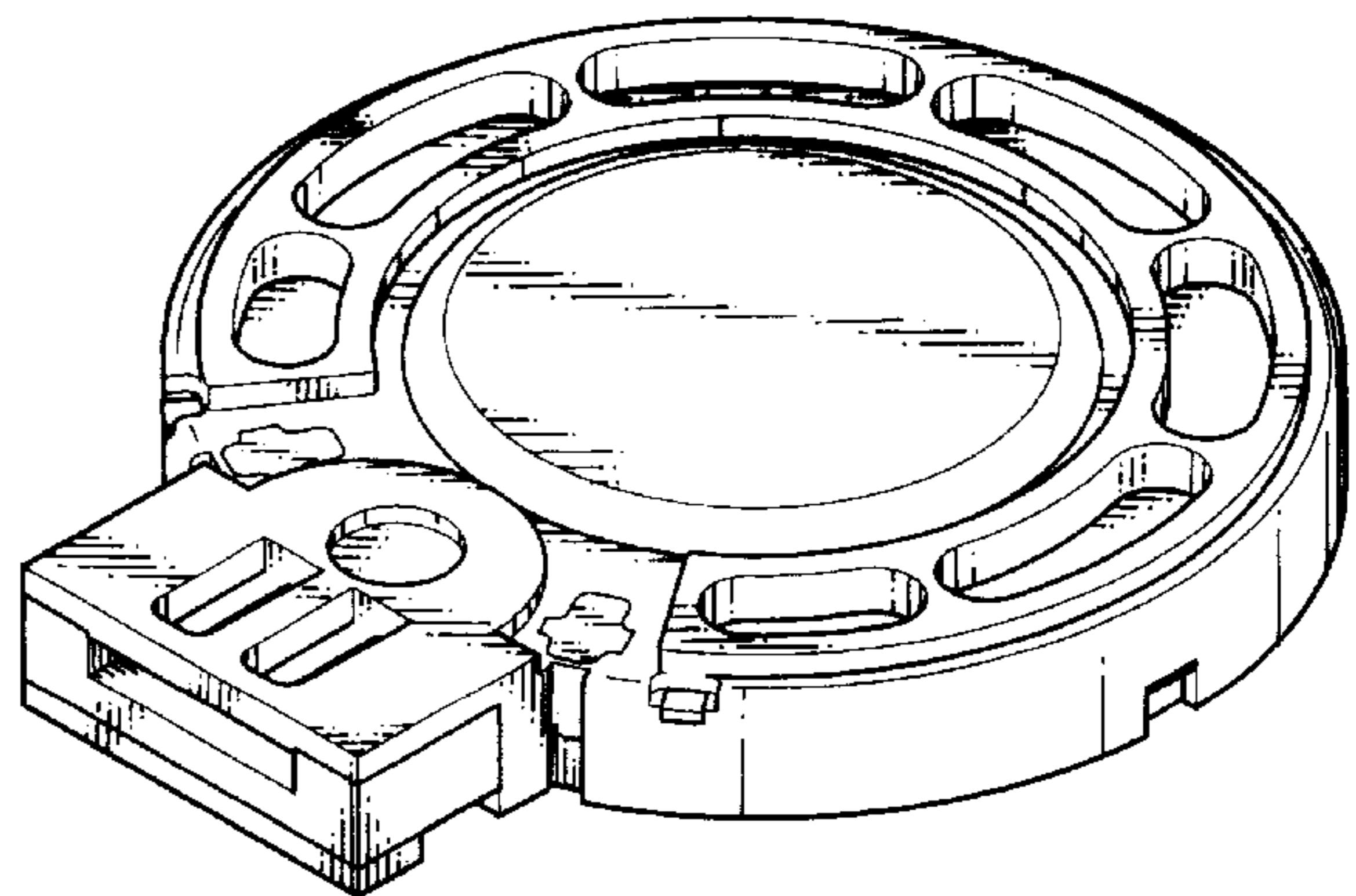
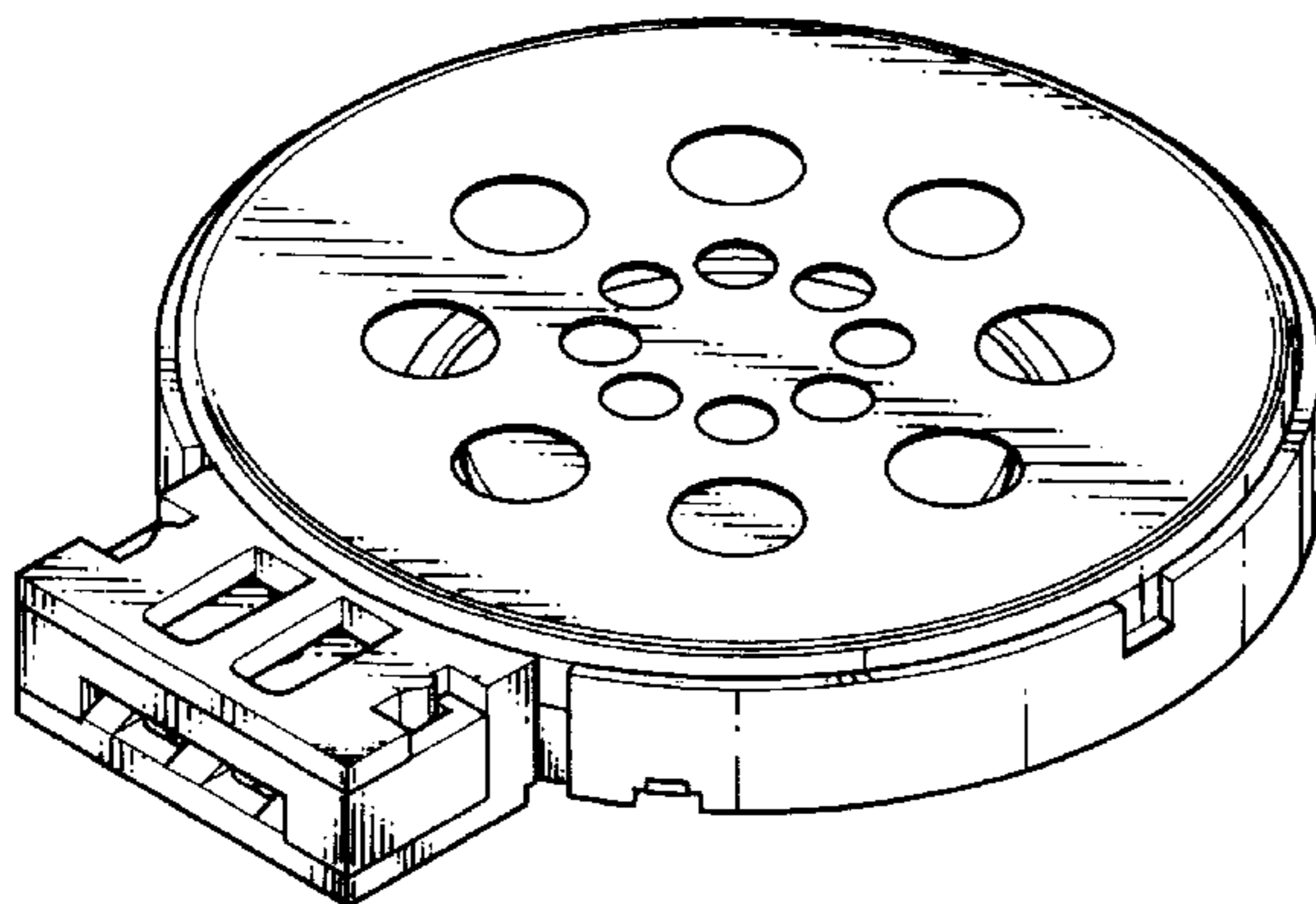
(57) **CLAIM**

The ornamental design for a loudspeaker with a socket, as shown and described.

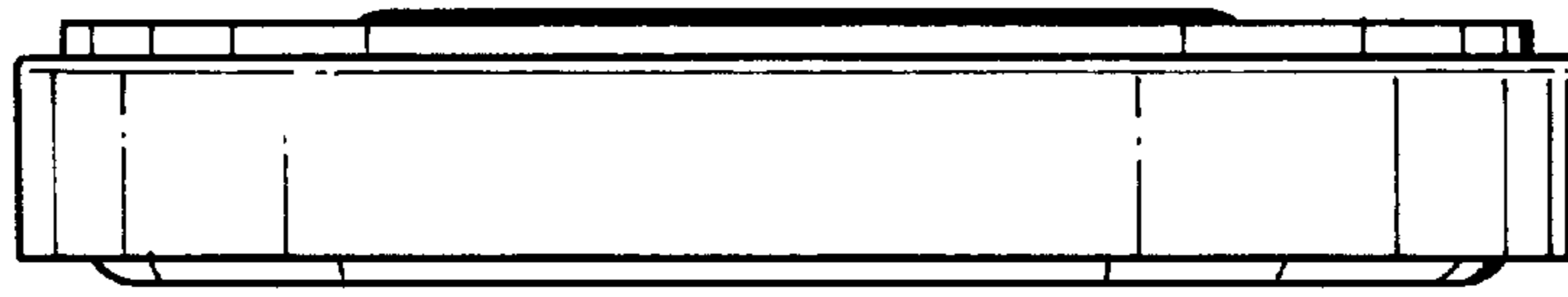
**DESCRIPTION**

FIG. 1 is a top view of a loudspeaker with a socket embodying my new design;  
FIG. 2 is a front view thereof;  
FIG. 3 is a bottom view thereof;  
FIG. 4 is a rear view thereof;  
FIG. 5 is a left side view thereof;  
FIG. 6 is a right side view thereof;  
FIG. 7 is a perspective view as viewed from the front thereof; and,  
FIG. 8 is a perspective view as viewed from the back thereof.

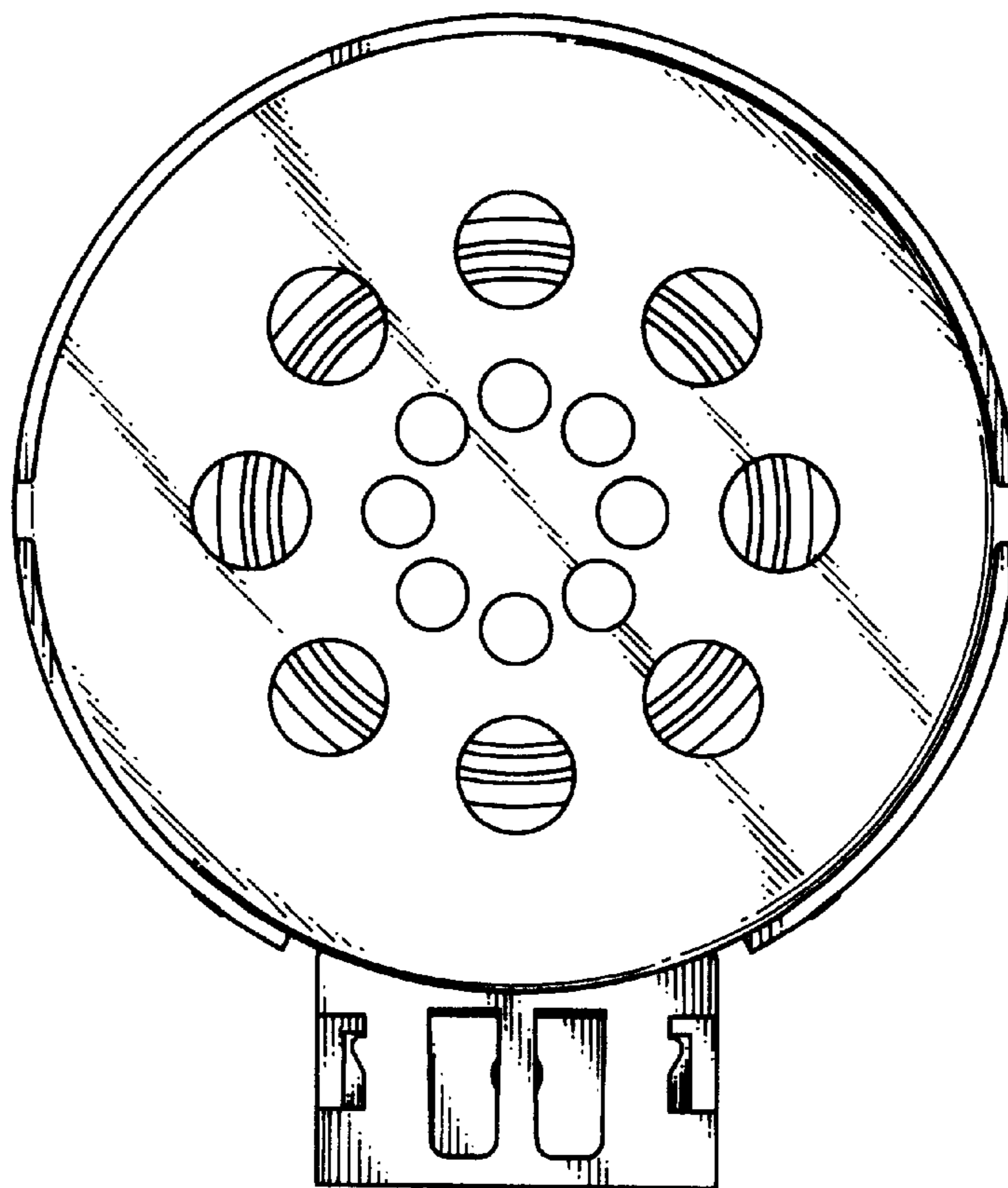
**1 Claim, 4 Drawing Sheets**



**Fig . 1**



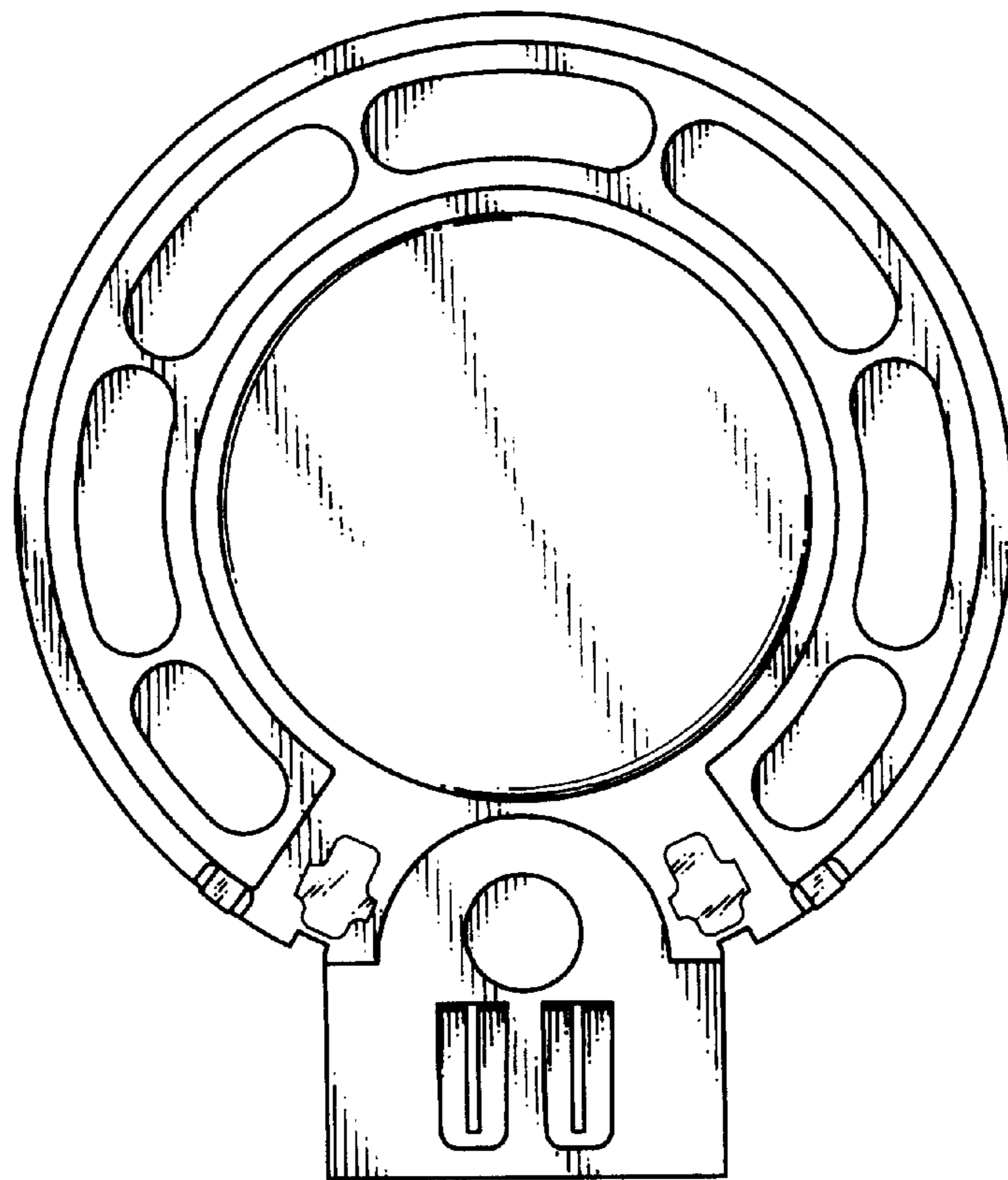
**Fig . 2**



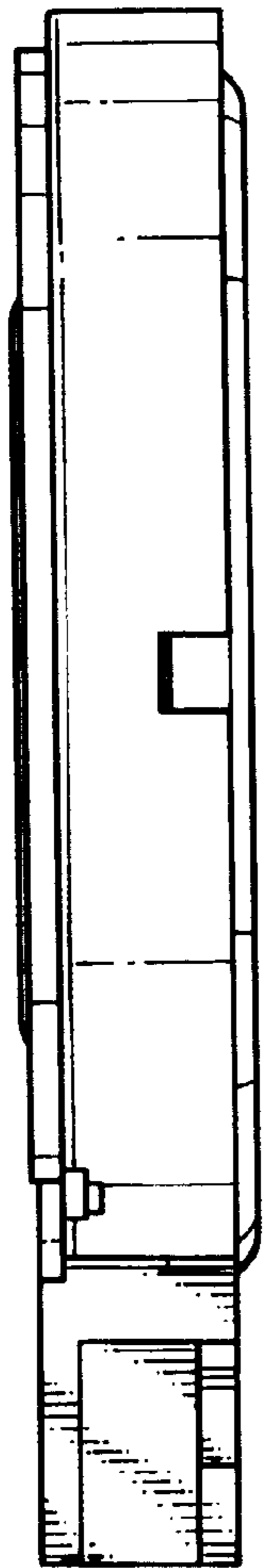
**Fig . 3**



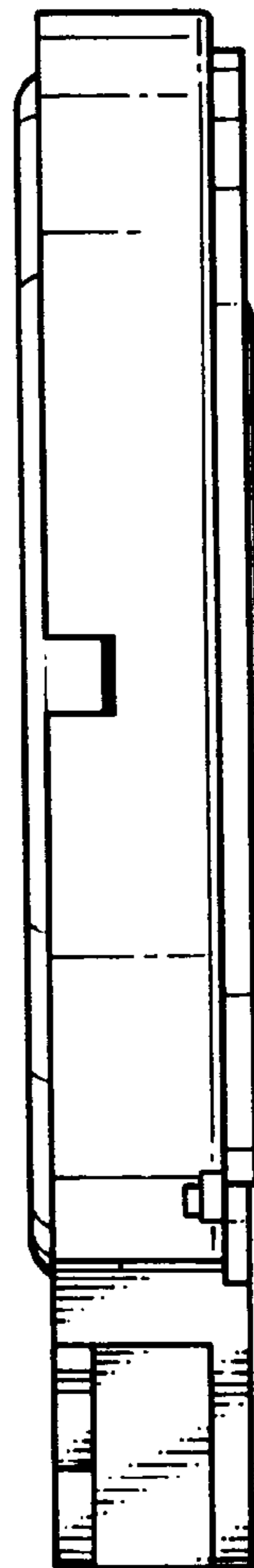
**Fig . 4**



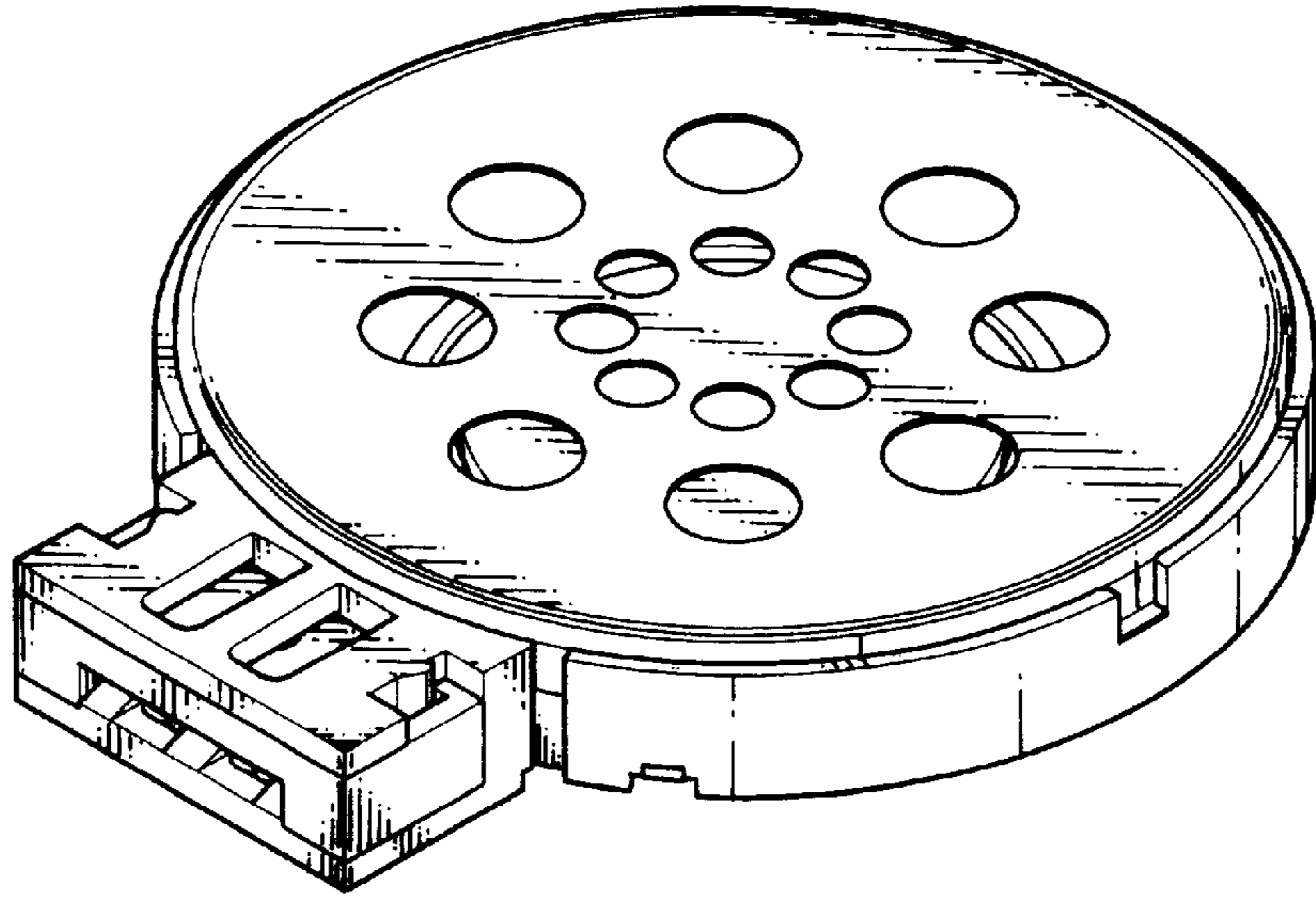
**Fig . 5**



**Fig . 6**



**Fig . 7**



**Fig . 8**

