



US00D446783B1

(12) **United States Design Patent**
Bumgardner

(10) **Patent No.:** **US D446,783 S**

(45) **Date of Patent:** **** Aug. 21, 2001**

(54) **WIRELESS PHONE WITH MICRODISPLAY**

(75) Inventor: **Rodney J. Bumgardner**, Los Gatos, CA (US)

(73) Assignee: **Kopin Corporation**, Taunton, MA (US)

(**) Term: **14 Years**

(21) Appl. No.: **29/124,769**

(22) Filed: **Jun. 12, 2000**

(51) **LOC (7) Cl.** **14-01**

(52) **U.S. Cl.** **D14/205; D14/142**

(58) **Field of Search** D14/137, 138, D14/140, 142, 192, 205, 206, 223; 181/128, 137; 379/419, 420, 428, 430-434, 441-442

(56) **References Cited**

U.S. PATENT DOCUMENTS

- D. 394,437 * 5/1998 Landreth et al. D14/206
- D. 404,734 * 1/1999 Andrea D14/206
- 5,469,505 * 11/1995 Gattey et al. 379/430

* cited by examiner

Primary Examiner—Nanda Bondade

(74) *Attorney, Agent, or Firm*—Hamilton, Brook, Smith & Reynolds, P.C.

(57) **CLAIM**

The ornamental design for a wireless phone with microdisplay, as shown and described.

DESCRIPTION

FIG. 1 is a right side view of a wireless phone with microdisplay

FIG. 2 is a right front perspective view thereof;

FIG. 3 is a front view thereof;

FIG. 4 is a top view thereof;

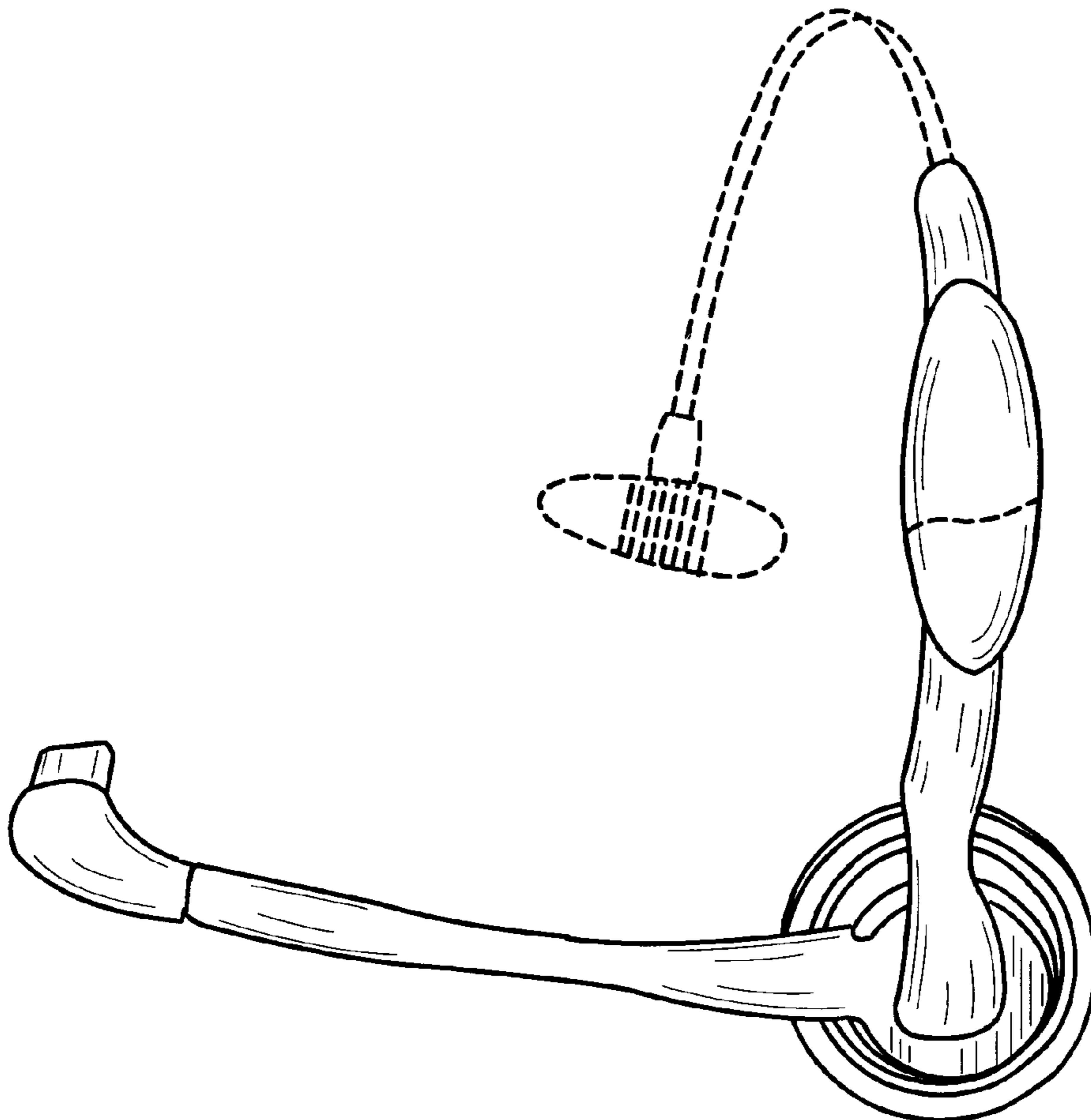
FIG. 5 is a left side view thereof;

FIG. 6 is a bottom view thereof; and,

FIG. 7 is a rear view thereof.

The broken line showing on FIGS. 1-7 is for illustrative purposes only and forms no part of the claimed design.

1 Claim, 3 Drawing Sheets



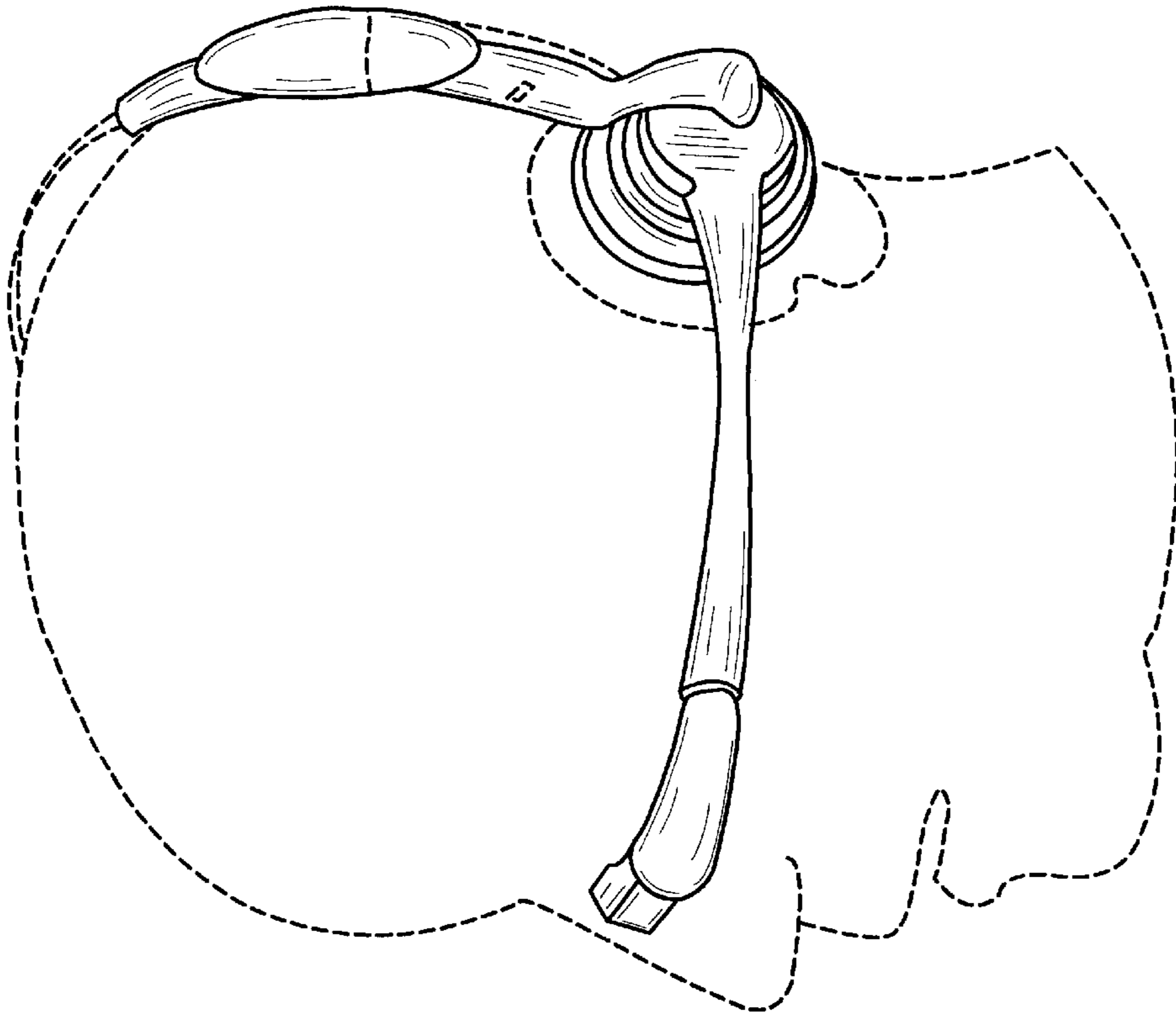


FIG. 2

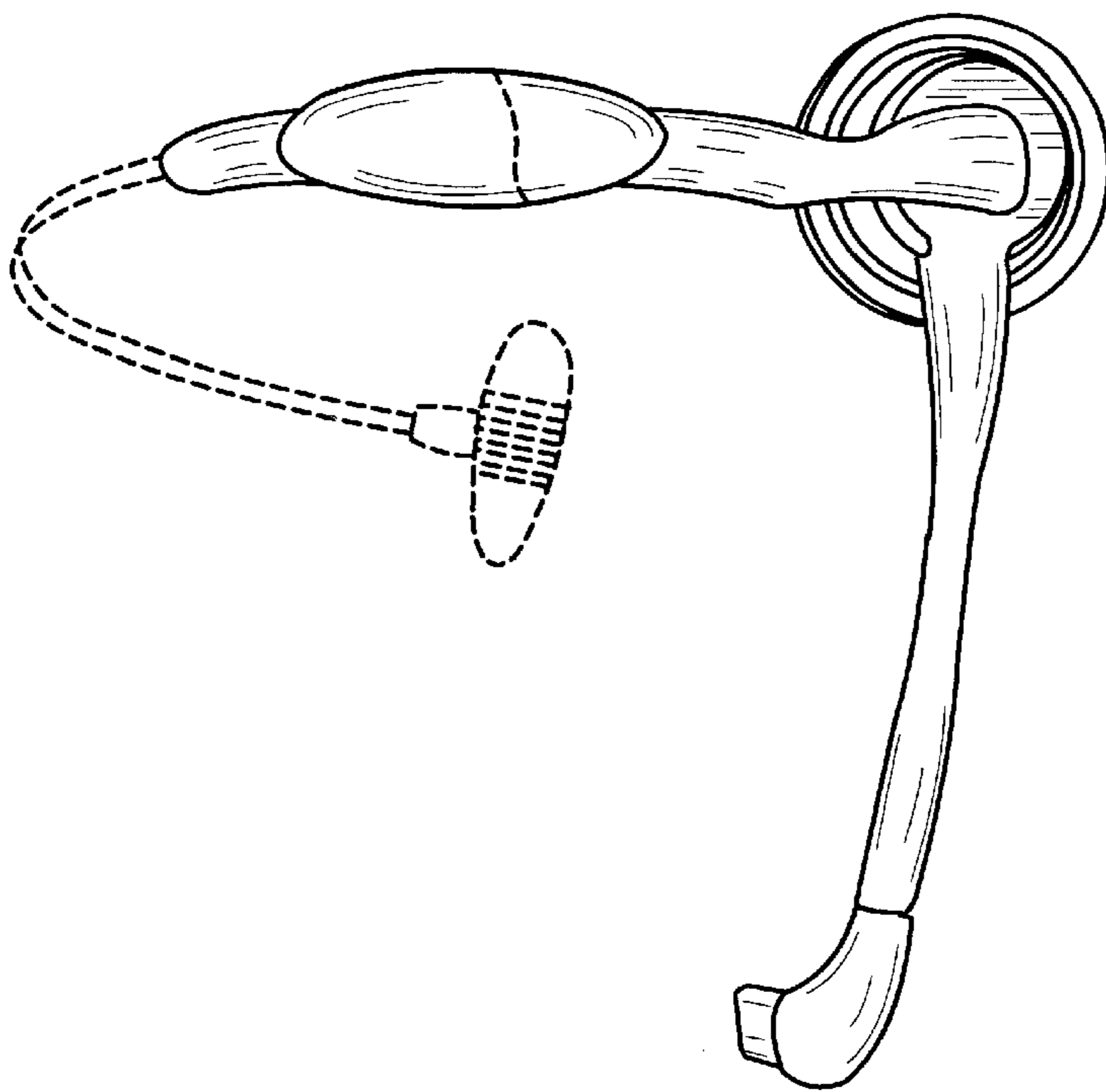


FIG. 1

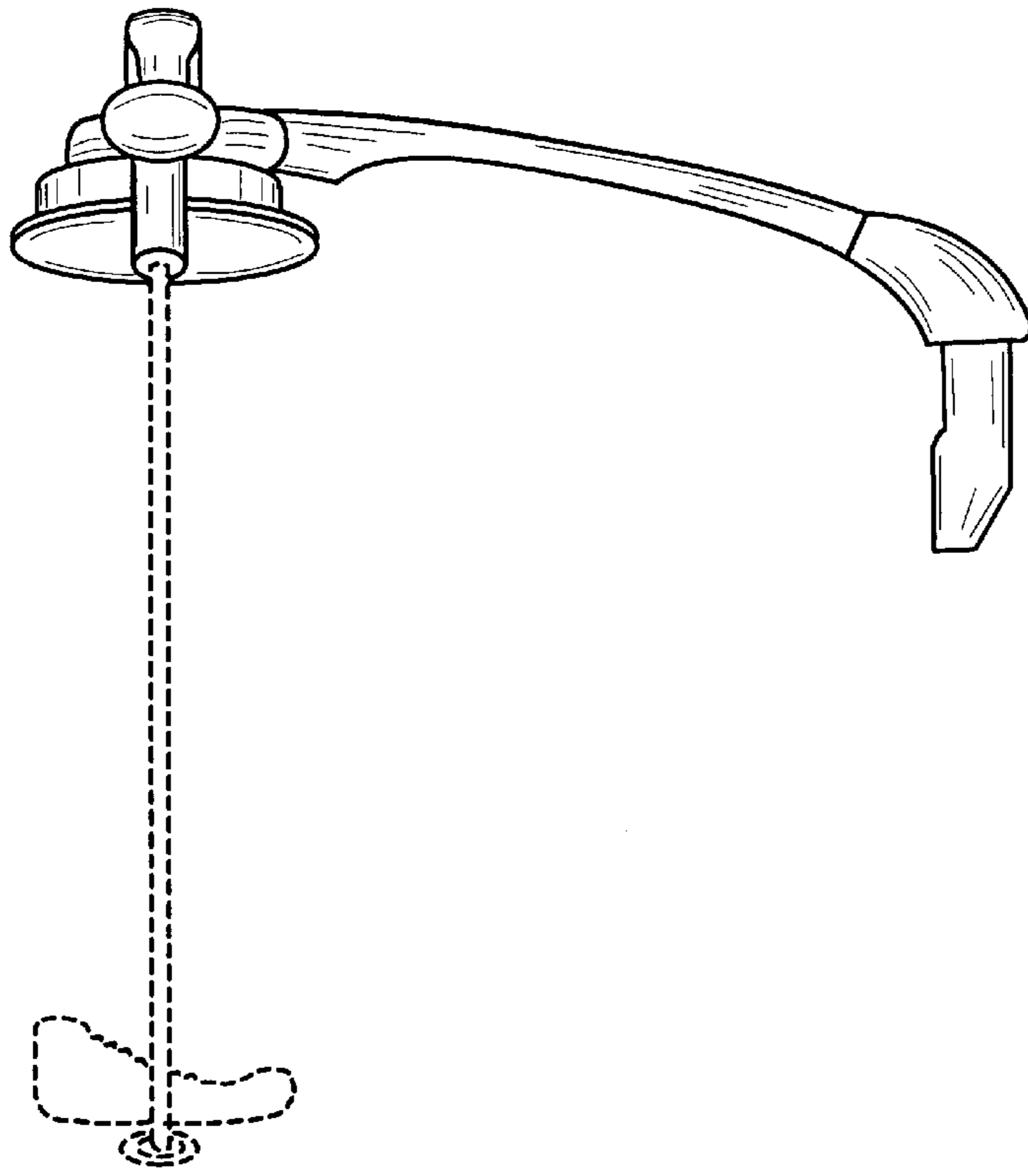


FIG. 4

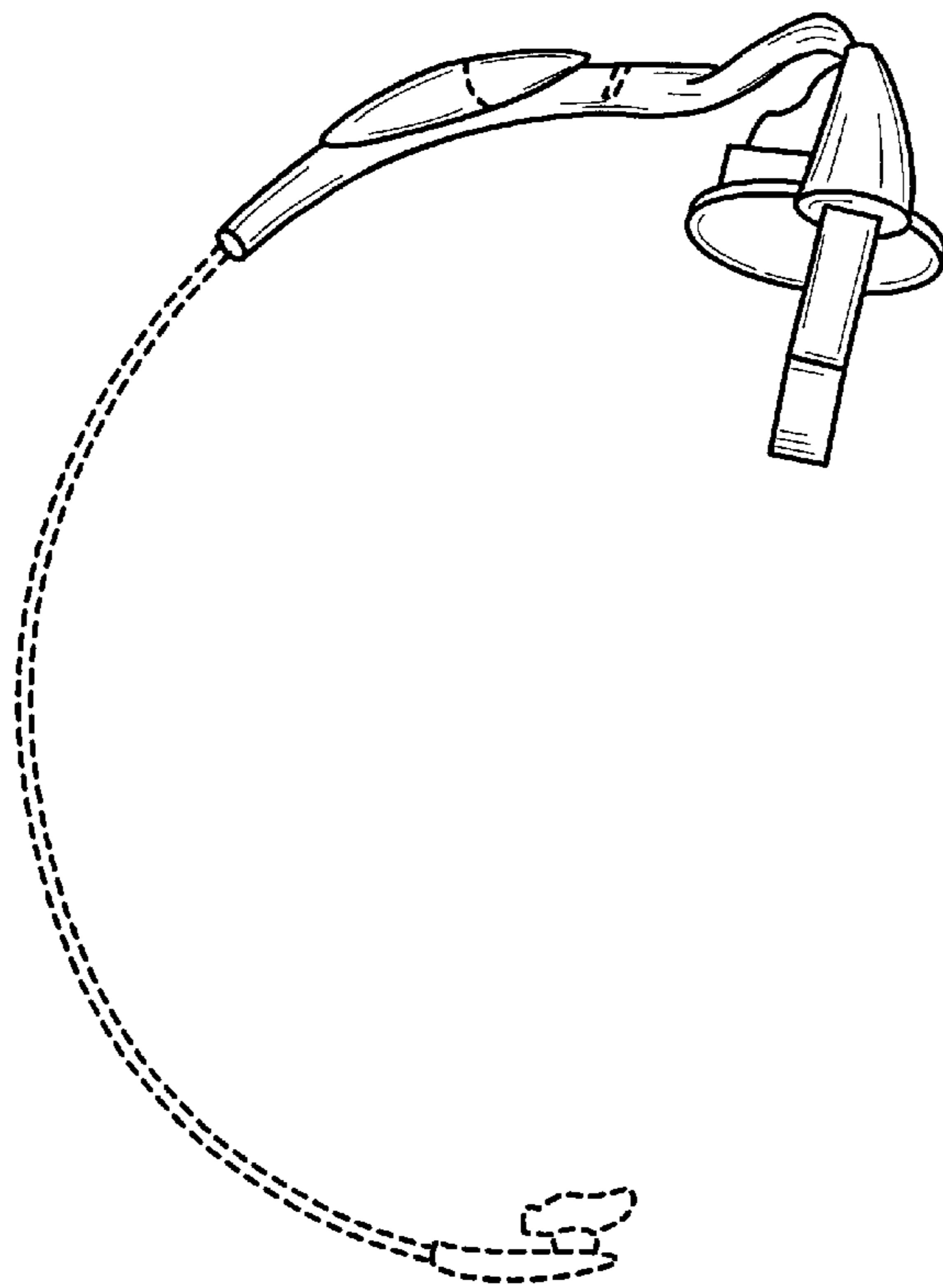


FIG. 3

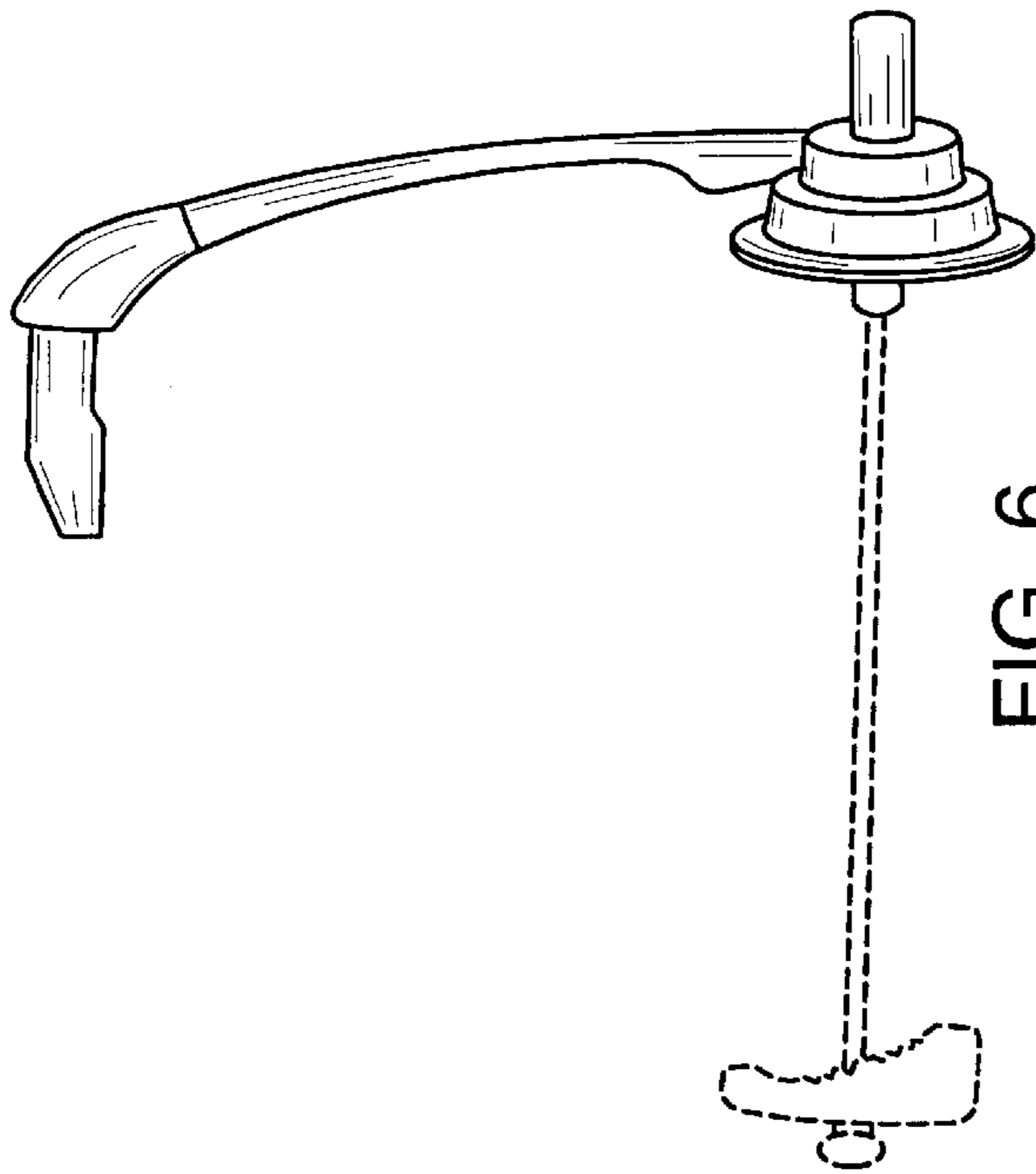


FIG. 6

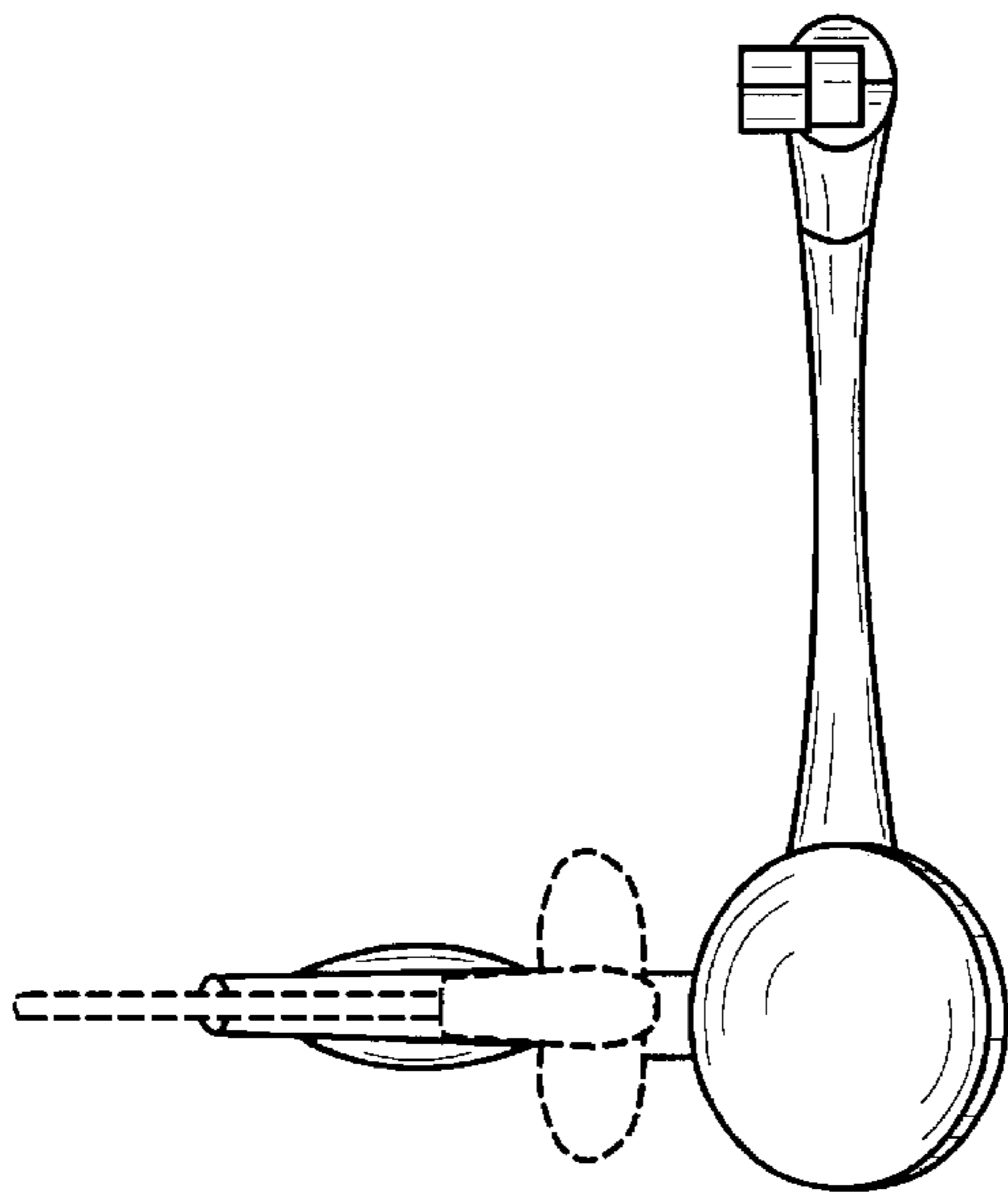


FIG. 5

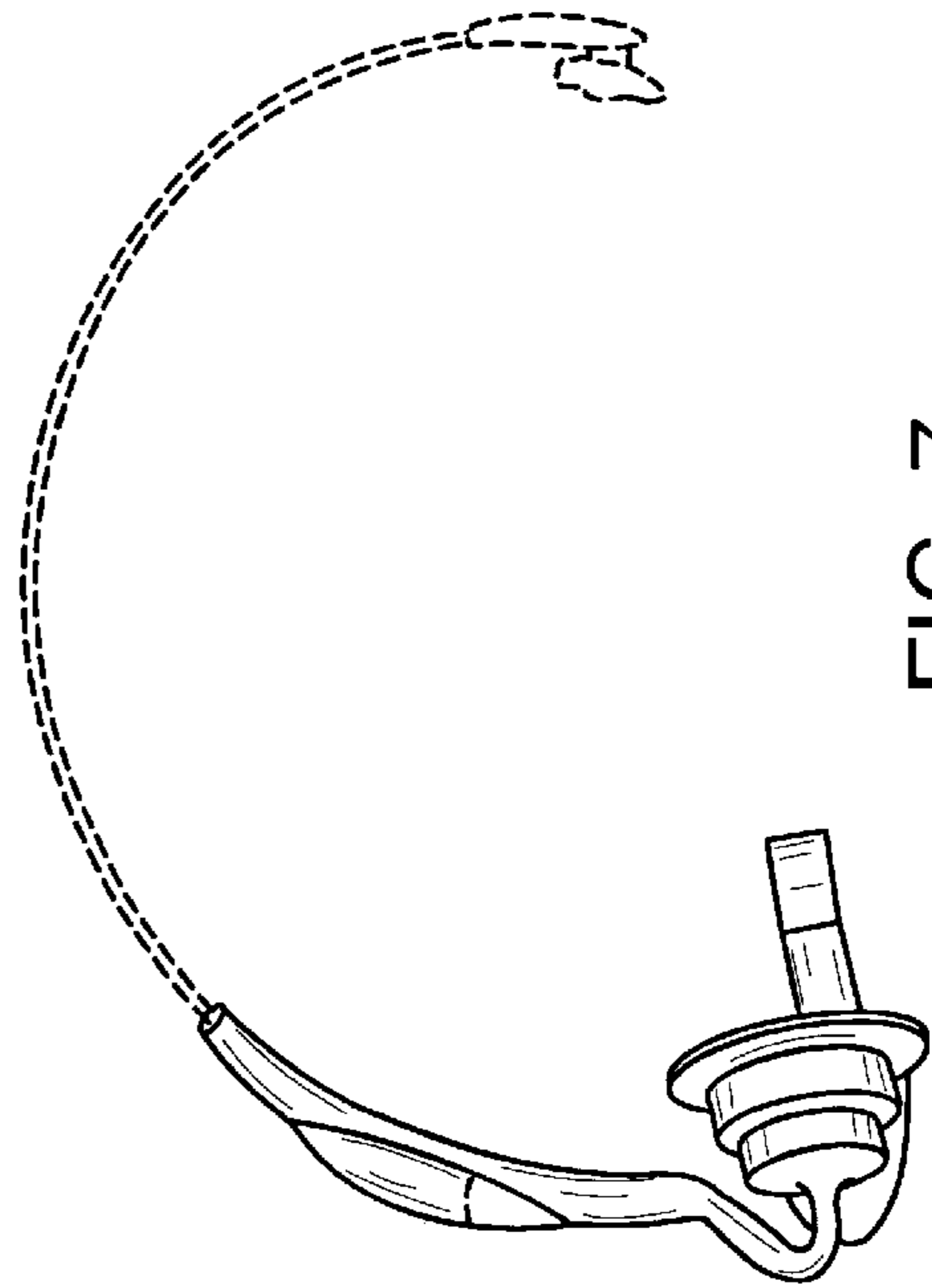


FIG. 7