



US00D446780B1

(12) **United States Design Patent**  
**Sedan et al.**

(10) **Patent No.:** **US D446,780 S**

(45) **Date of Patent:** **\*\* Aug. 21, 2001**

(54) **RADIO TRANSCEIVER**

(75) Inventors: **Gary Robert Sedan**, Rolling Meadows, IL (US); **Daniel Aaron Phipps**, Round Rock, TX (US); **Erin Marie Yeaton**; **Aimee Jo Volanski**, both of Chicago, IL (US)

(73) Assignee: **Cobra Electronics Corporation**, Chicago, IL (US)

(\*\*) Term: **14 Years**

(21) Appl. No.: **29/116,323**

(22) Filed: **Dec. 30, 1999**  
(Under 37 CFR 1.47)

(51) **LOC (7) Cl.** ..... **14-03**

(52) **U.S. Cl.** ..... **D14/137**

(58) **Field of Search** ..... D14/137, 138,  
D14/218, 147-148, 247-248, 159, 144,  
249, 155, 341-347, 191; 379/433.434, 419,  
420, 428, 440, 368, 364, 370; 455/550-575,  
90, 347-349

(56) **References Cited**

**U.S. PATENT DOCUMENTS**

D. 295,404	*	4/1988	Tokiyama	.....	D14/137
D. 340,927	*	11/1993	Goatman	.....	D14/137
D. 371,781	*	7/1996	Nowak et al.	.....	D14/137
D. 384,345	*	9/1997	Lindeman et al.	.....	D14/137
D. 387,758	*	12/1997	Oross et al.	.....	D14/137
D. 389,827	*	1/1998	Oross et al.	.....	D14/137
D. 395,433	*	6/1998	Kee	.....	D14/192
D. 395,882	*	7/1998	Oross et al.	.....	D14/137
D. 408,396	*	4/1999	Tyneski et al.	.....	D14/137
D. 412,501	*	8/1999	Tyneski et al.	.....	D14/137
D. 416,252	*	11/1999	Haase et al.	.....	D14/137
D. 416,893	*	11/1999	Tyneski et al.	.....	D14/137
D. 419,154	*	1/2000	Page et al.	.....	D14/137
D. 421,261	*	2/2000	Heuel	.....	D14/191
D. 421,435	*	3/2000	Haase et al.	.....	D14/137

D. 424,052	*	5/2000	Haile et al.	.....	D14/138
D. 426,219	*	6/2000	Gulino et al.	.....	D14/138
D. 428,866	*	8/2000	You	.....	D14/137
D. 430,126	*	8/2000	Lee	.....	D14/137
D. 433,001	*	10/2000	Haase et al.	.....	D14/137
D. 433,395	*	11/2000	Wong	.....	D14/137
D. 433,396	*	11/2000	Wong	.....	D14/137
5,263,195		11/1993	Panther et al.	.	
5,631,635		5/1997	Robertson et al.	.	
5,689,807		11/1997	Wong et al.	.	
5,706,331		1/1998	Wang et al.	.	
5,708,422		1/1998	Blonder et al.	.	
5,712,624		1/1998	Ayerst et al.	.	
5,898,904		4/1999	Wang	.	

**OTHER PUBLICATIONS**

Hello Direct, Spring 2000 catalog, p. 58 Nextel/Motorola i700 plus telephone.\*

Advertising for Motorola Two-way Radios ©2000.

Advertising for Cherokee Waterproof/Vibrating Two Way Radio, No date given.

\* cited by examiner

*Primary Examiner*—Jeffrey Asch

(74) *Attorney, Agent, or Firm*—Wallenstein & Wagner

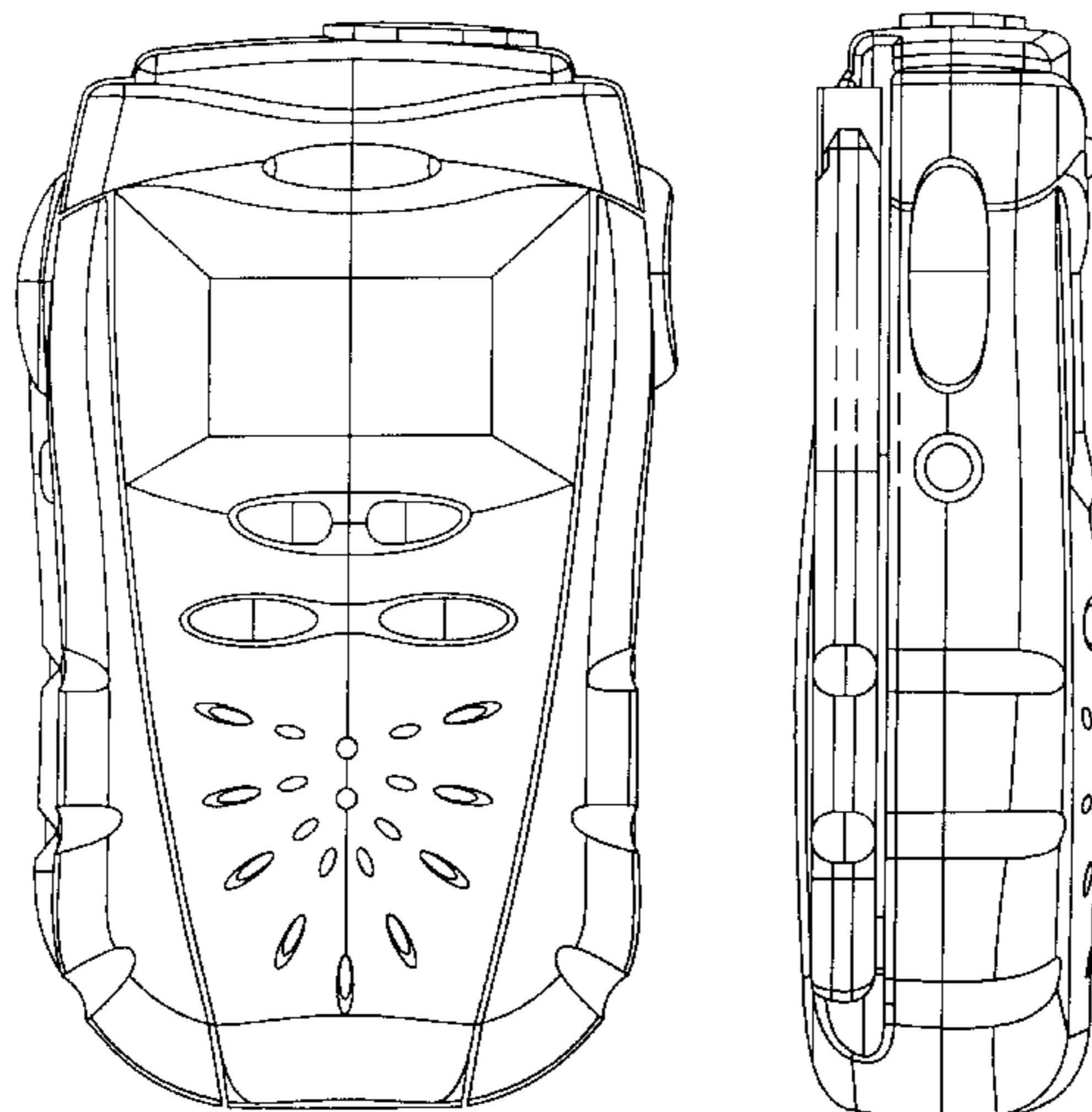
(57) **CLAIM**

The ornamental design for a radio transceiver, as shown and described above.

**DESCRIPTION**

FIG. 1 is a front perspective view of a radio transceiver. FIG. 2 is a front view of the radio transceiver of FIG. 1; FIG. 3 is a left side view of the radio transceiver of FIG. 1; FIG. 4 is a right side view of the radio transceiver of FIG. 1; FIG. 5 is a top view of the radio transceiver of FIG. 1; FIG. 6 is a bottom view of the radio transceiver of FIG. 1; and, FIG. 7 is a rear view of the radio transceiver of FIG. 1.

**1 Claim, 4 Drawing Sheets**



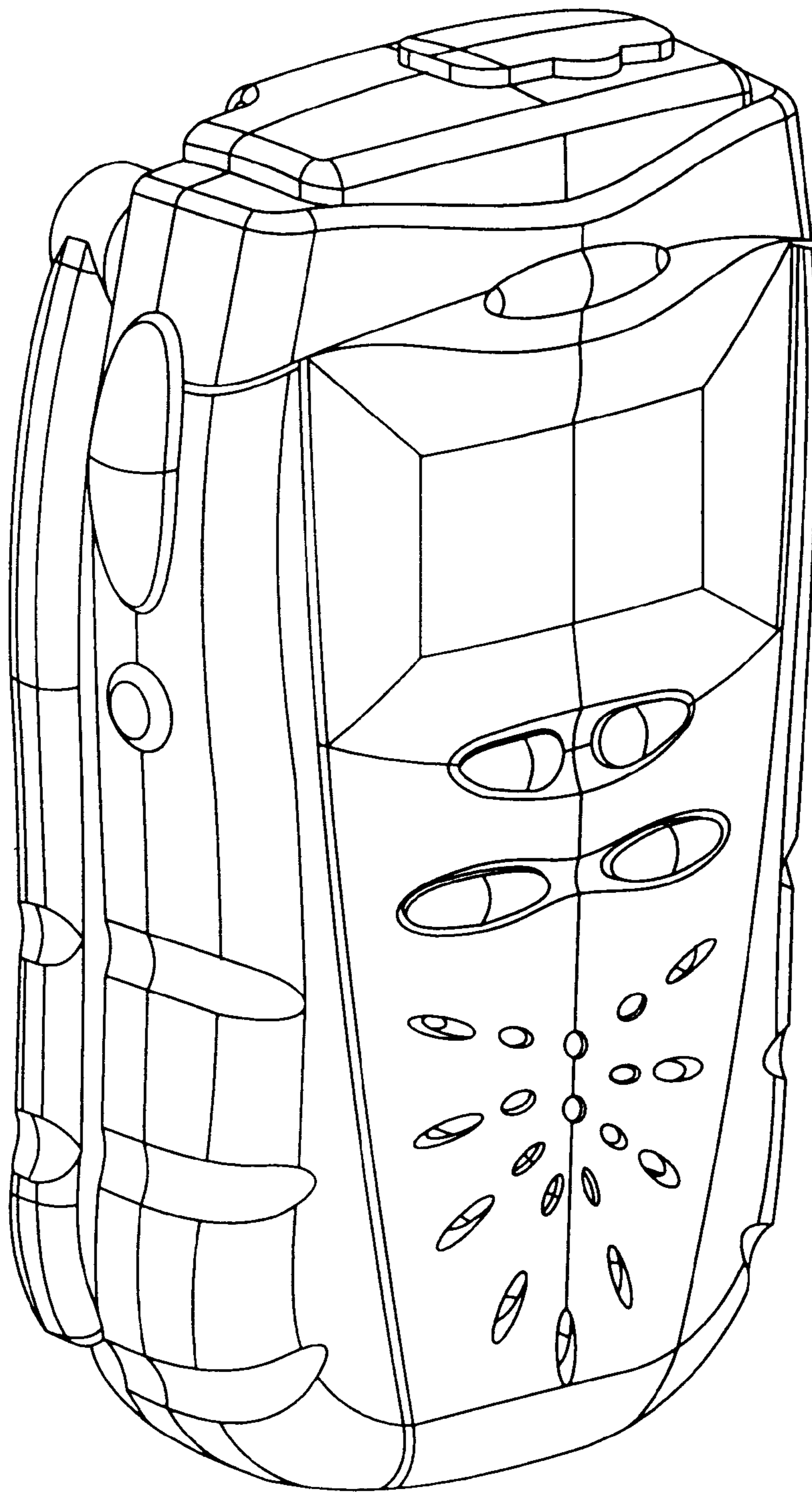


FIG. 1

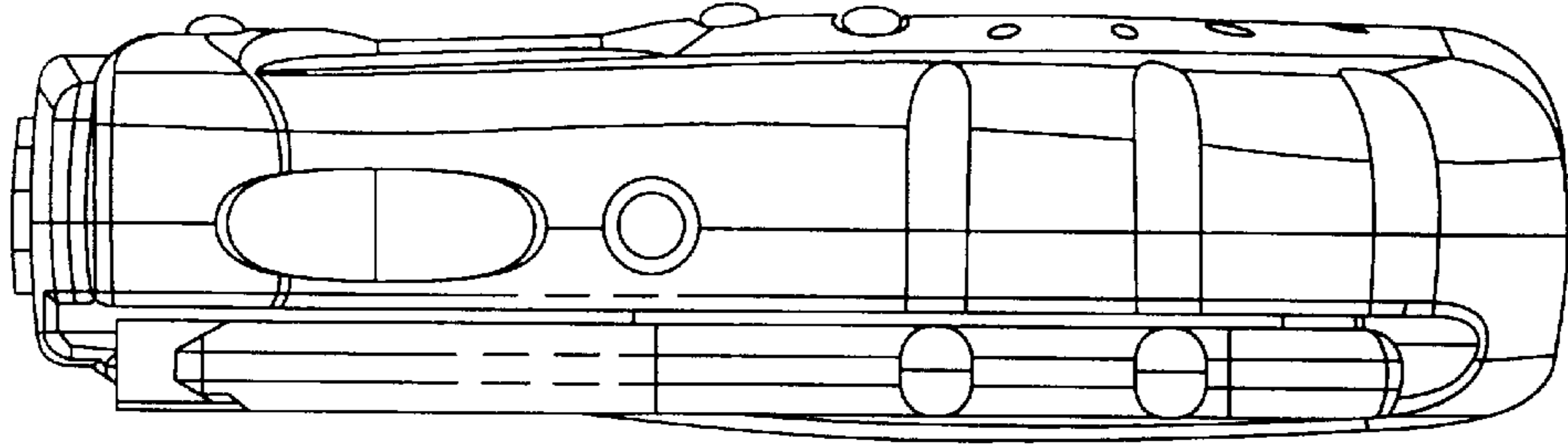


FIG. 3

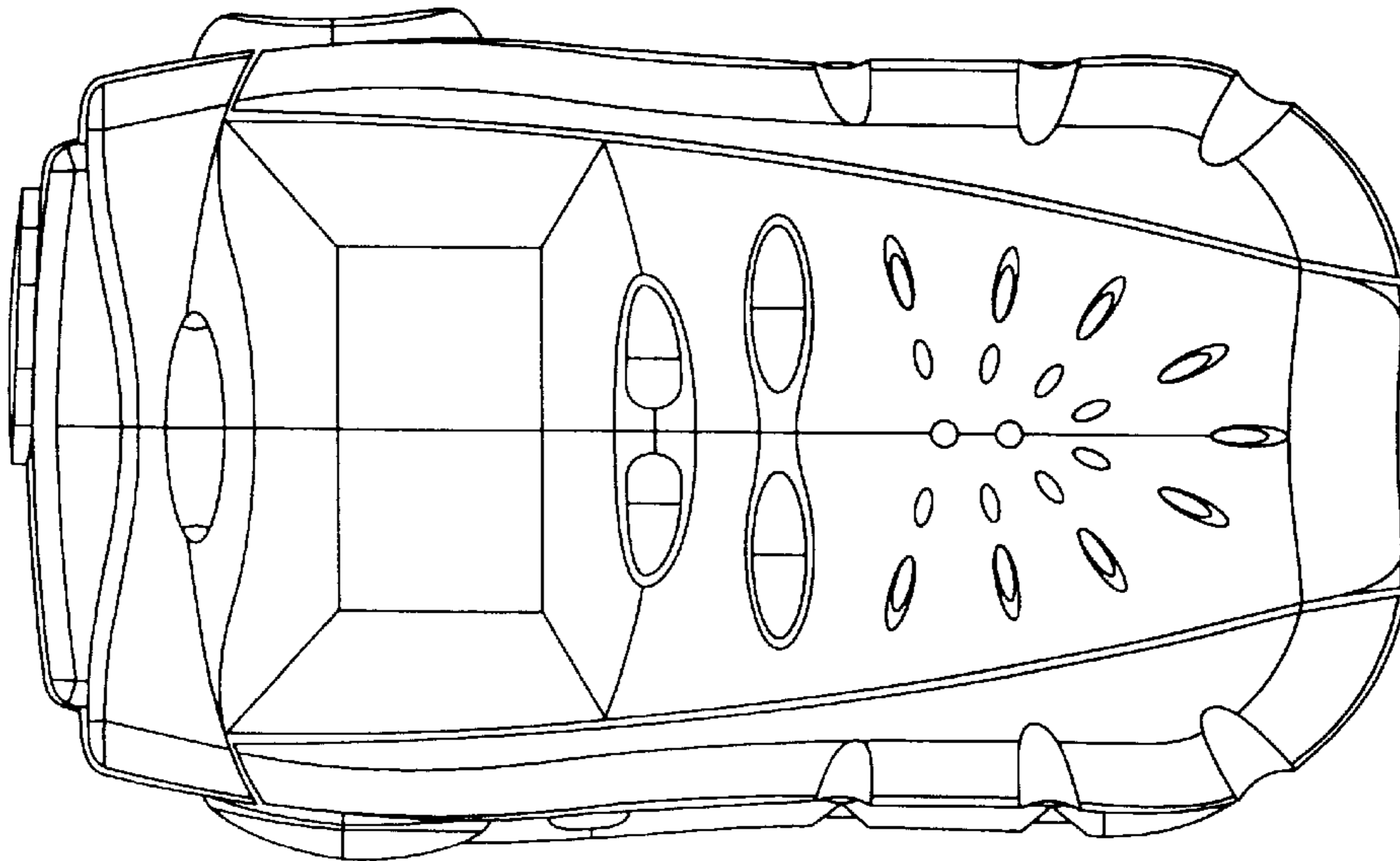


FIG. 2

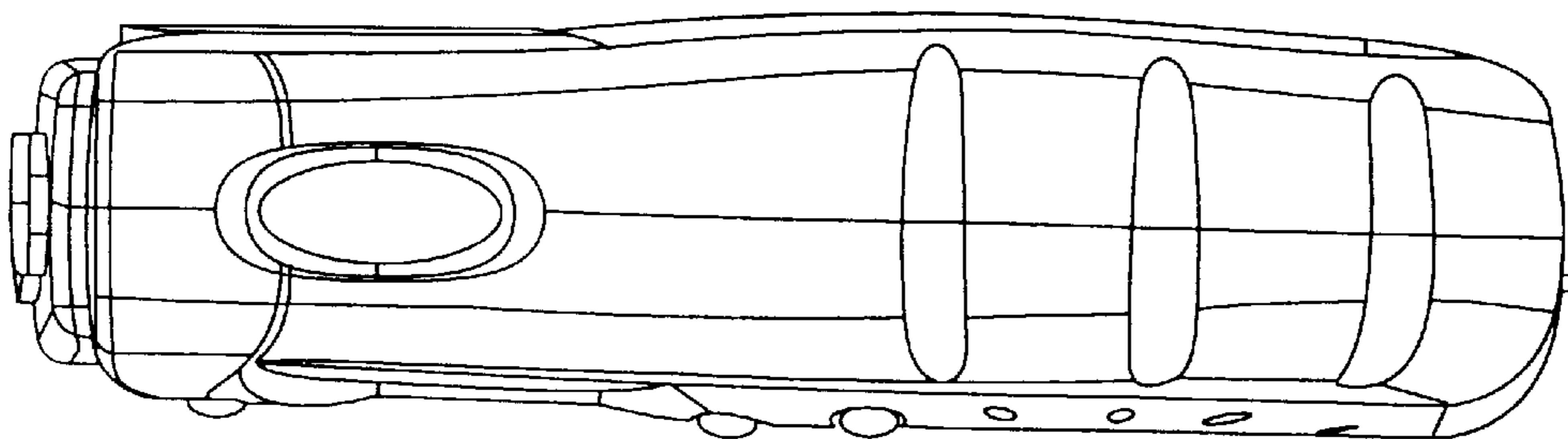


FIG. 4

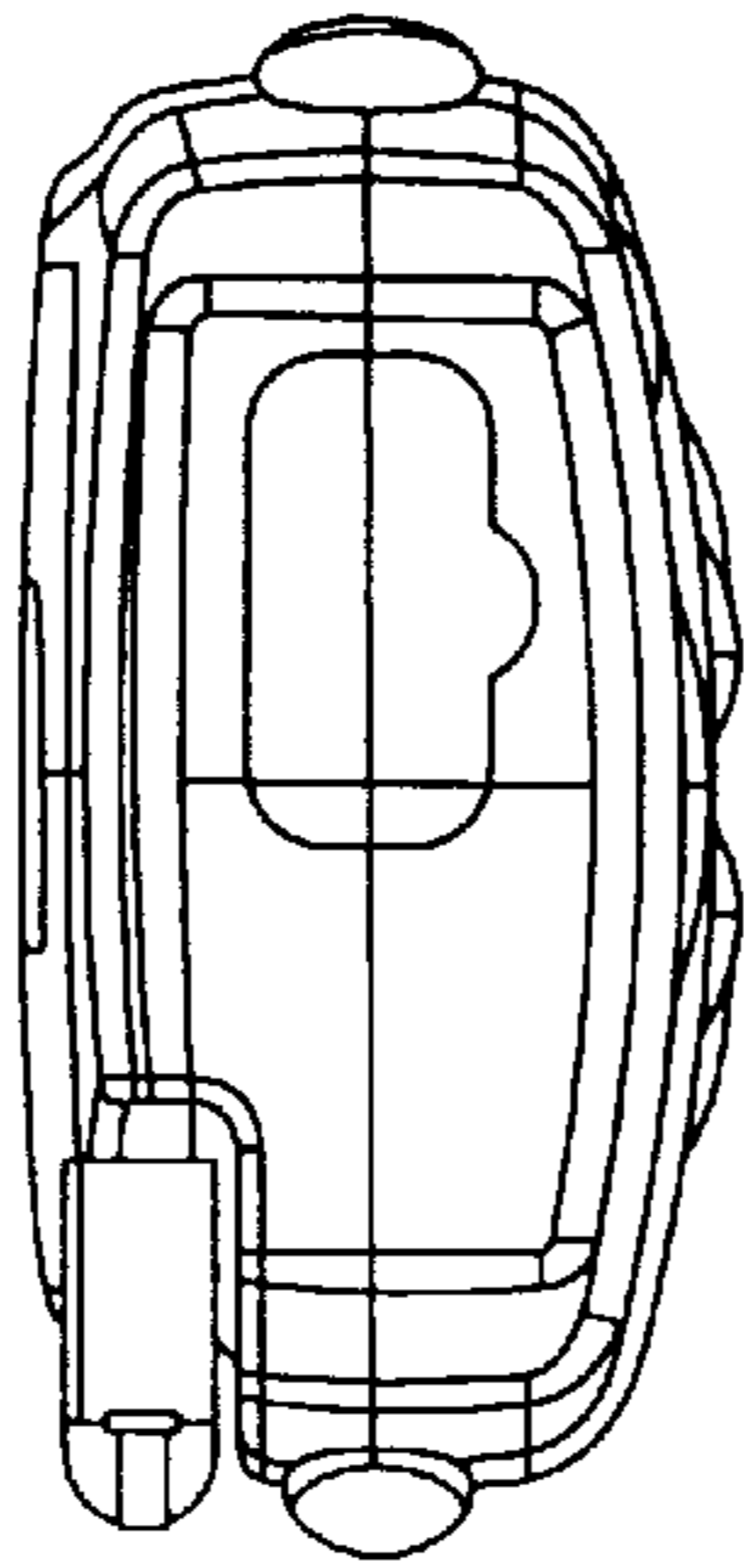


FIG. 5

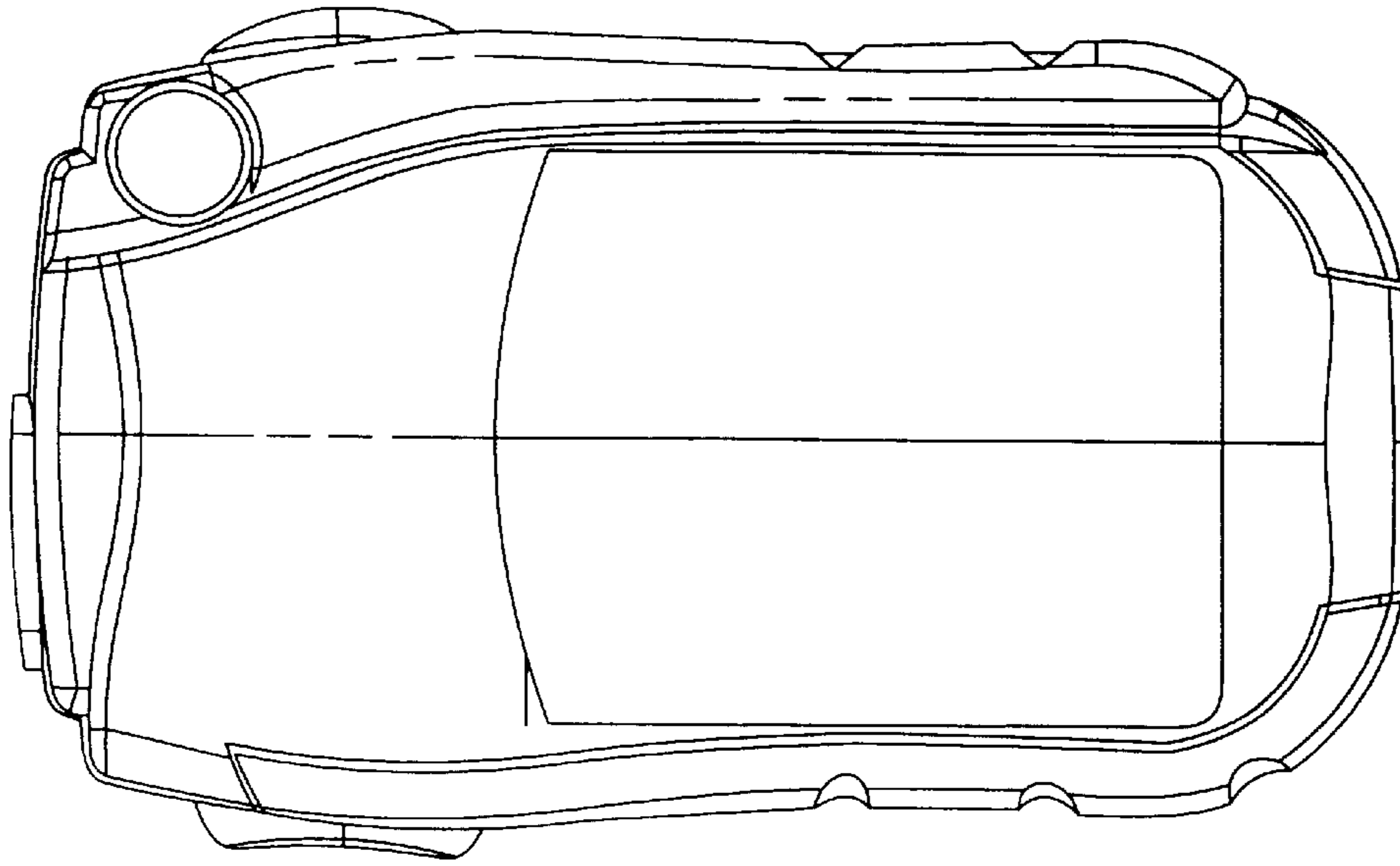


FIG. 7

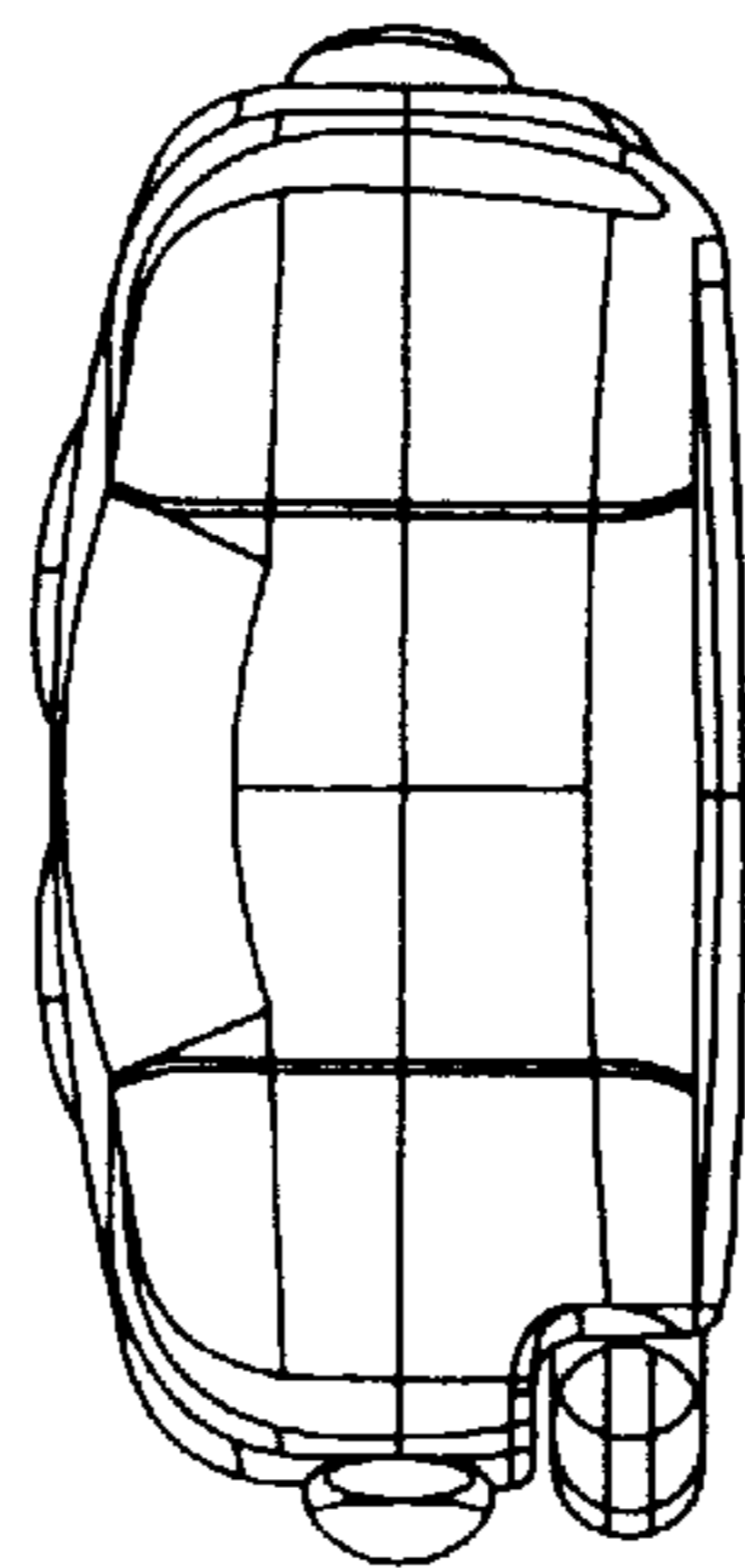


FIG. 6