



US00D446779B1

(12) **United States Design Patent**
Jensen et al.

(10) **Patent No.:** **US D446,779 S**

(45) **Date of Patent:** **** Aug. 21, 2001**

(54) **SET TOP BOX**

(75) **Inventors:** **Tyler Jensen; Brian Kash**, both of San Diego; **Andrew Zoolakis**, La Costa, all of CA (US)

(73) **Assignee:** **Hughes Electronics Corp.**, El Segundo, CA (US)

(**) **Term:** **14 Years**

(21) **Appl. No.:** **29/131,331**

(22) **Filed:** **Oct. 19, 2000**

(51) **LOC (7) Cl.** **14-03**

(52) **U.S. Cl.** **D14/125**

(58) **Field of Search** D14/299, 356, D14/361-363, 365, 496, 125, 135, 136, 239; 348/10, 460; 361/690-696; 312/208.1-223.2

(56) **References Cited**

U.S. PATENT DOCUMENTS

- D. 368,085 * 3/1996 Mittal et al. D14/239
- D. 386,174 * 11/1997 Boyd et al. D14/125
- D. 396,856 * 8/1998 Oba D14/125

- D. 413,333 * 8/1999 Kitajima et al. D14/125
- D. 415,486 * 10/1999 Lee et al. D14/126
- D. 426,212 * 6/2000 Storti et al. D14/125
- D. 433,020 * 10/2000 Silbermann et al. D14/356
- D. 434,737 * 12/2000 Jensen et al. D14/125

* cited by examiner

Primary Examiner—Raphael Barkai

(74) *Attorney, Agent, or Firm*—John T. Whelan; Michael W. Sales

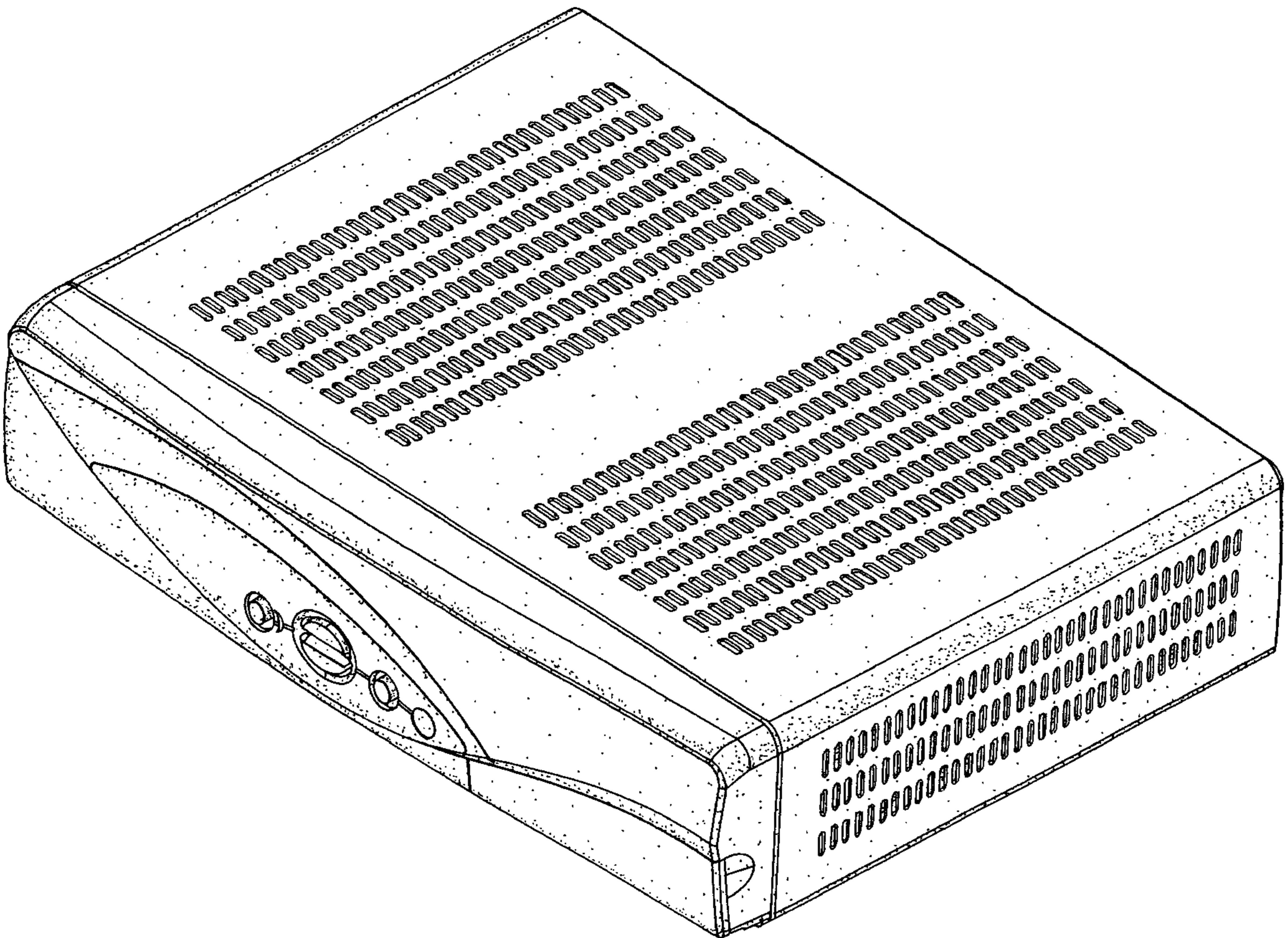
(57) **CLAIM**

The ornamental design for a set top box, as shown and described.

DESCRIPTION

FIG. 1 is a front view;
FIG. 2 is a top view;
FIG. 3 is a bottom view;
FIG. 4 is a right side view;
FIG. 5 is a left side view;
FIG. 6 is a top perspective view; and,
FIG. 7 is a bottom perspective view.

1 Claim, 7 Drawing Sheets



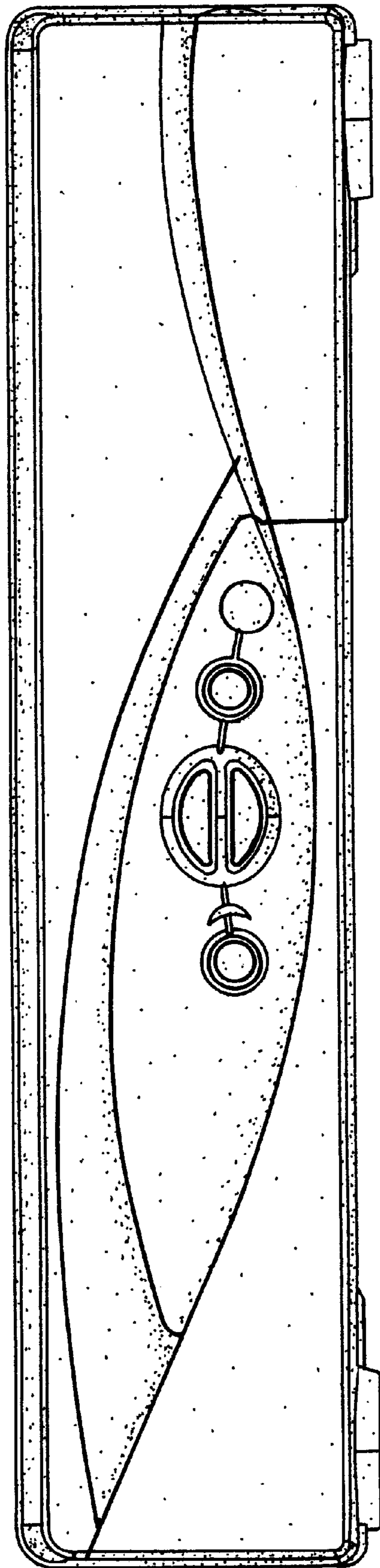


Figure 1

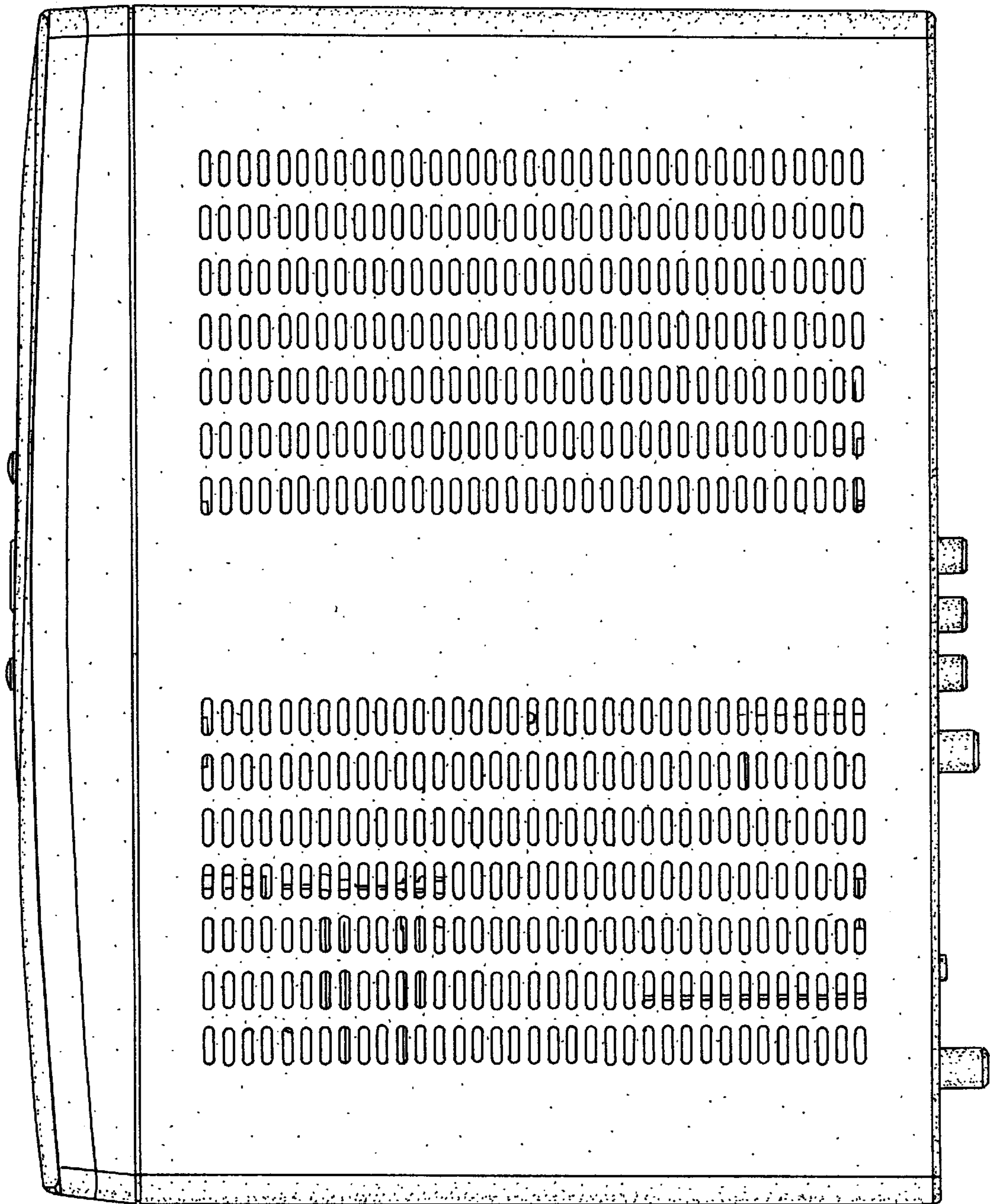


Figure 2

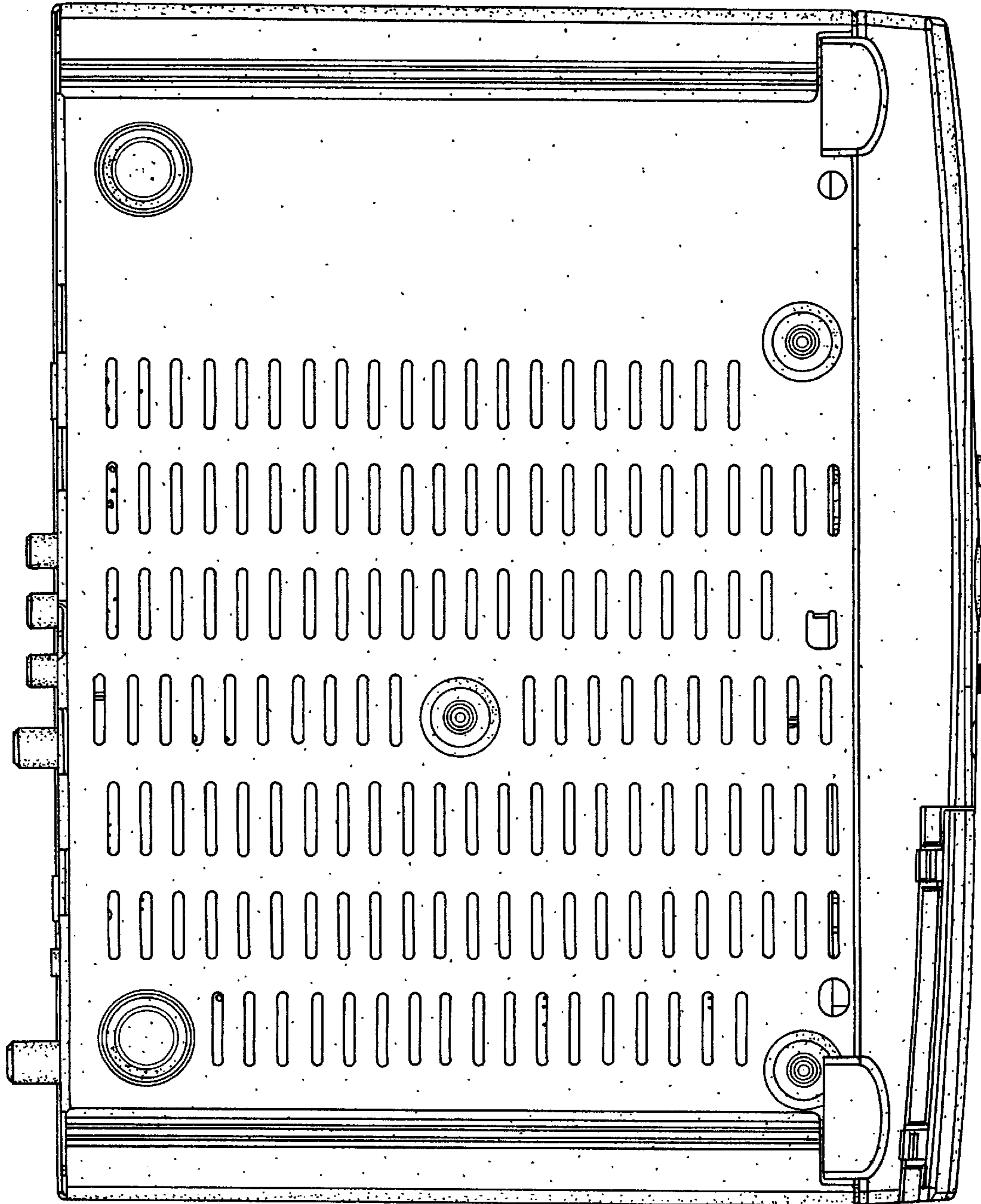


Figure 3

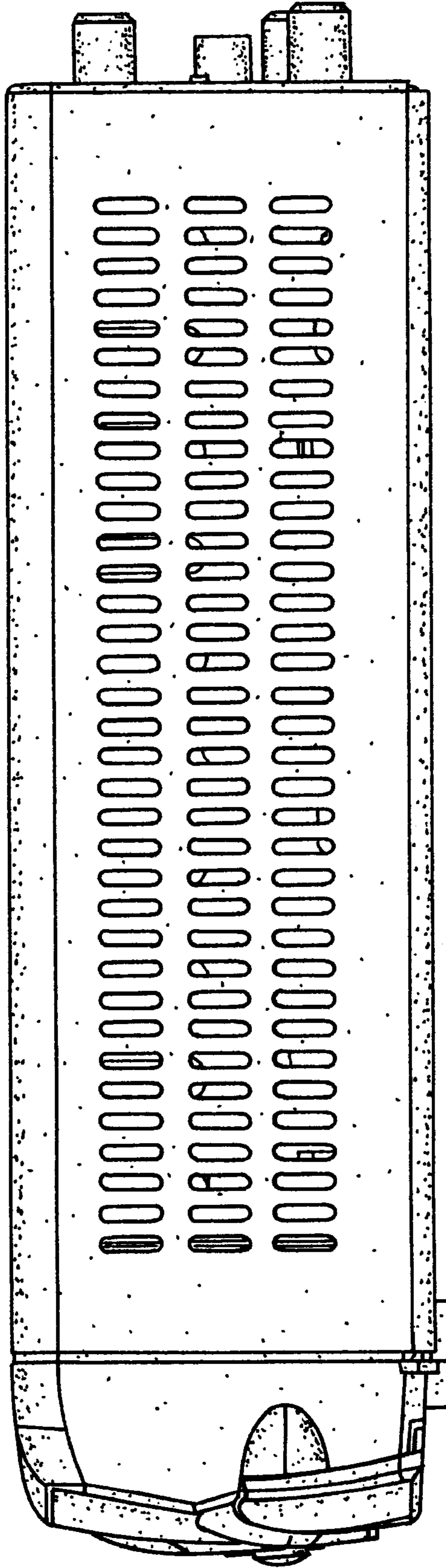


Figure 4

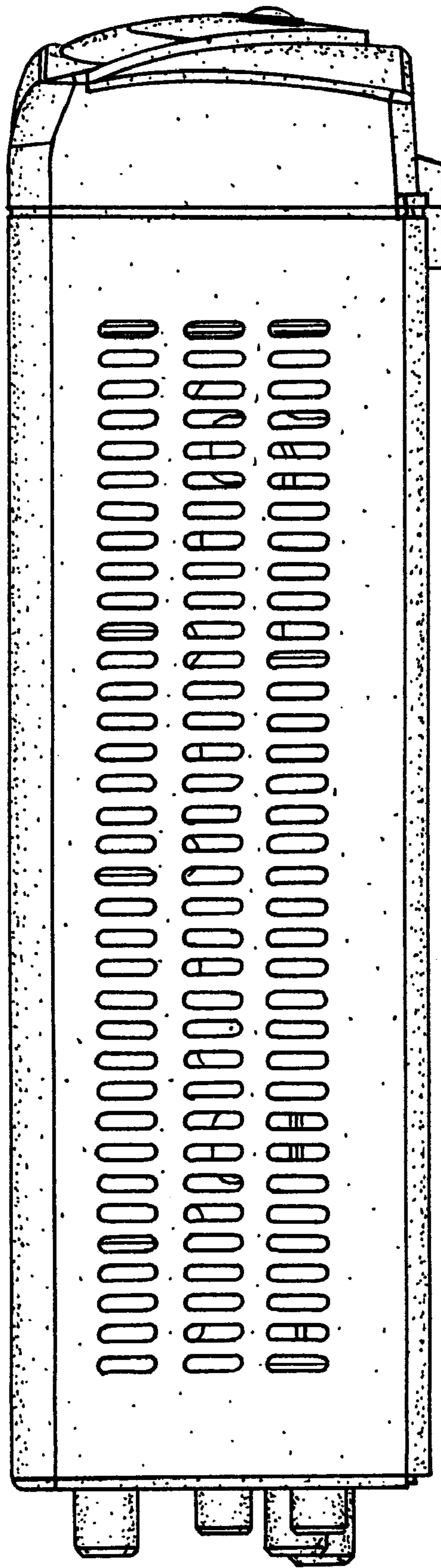


Figure 5

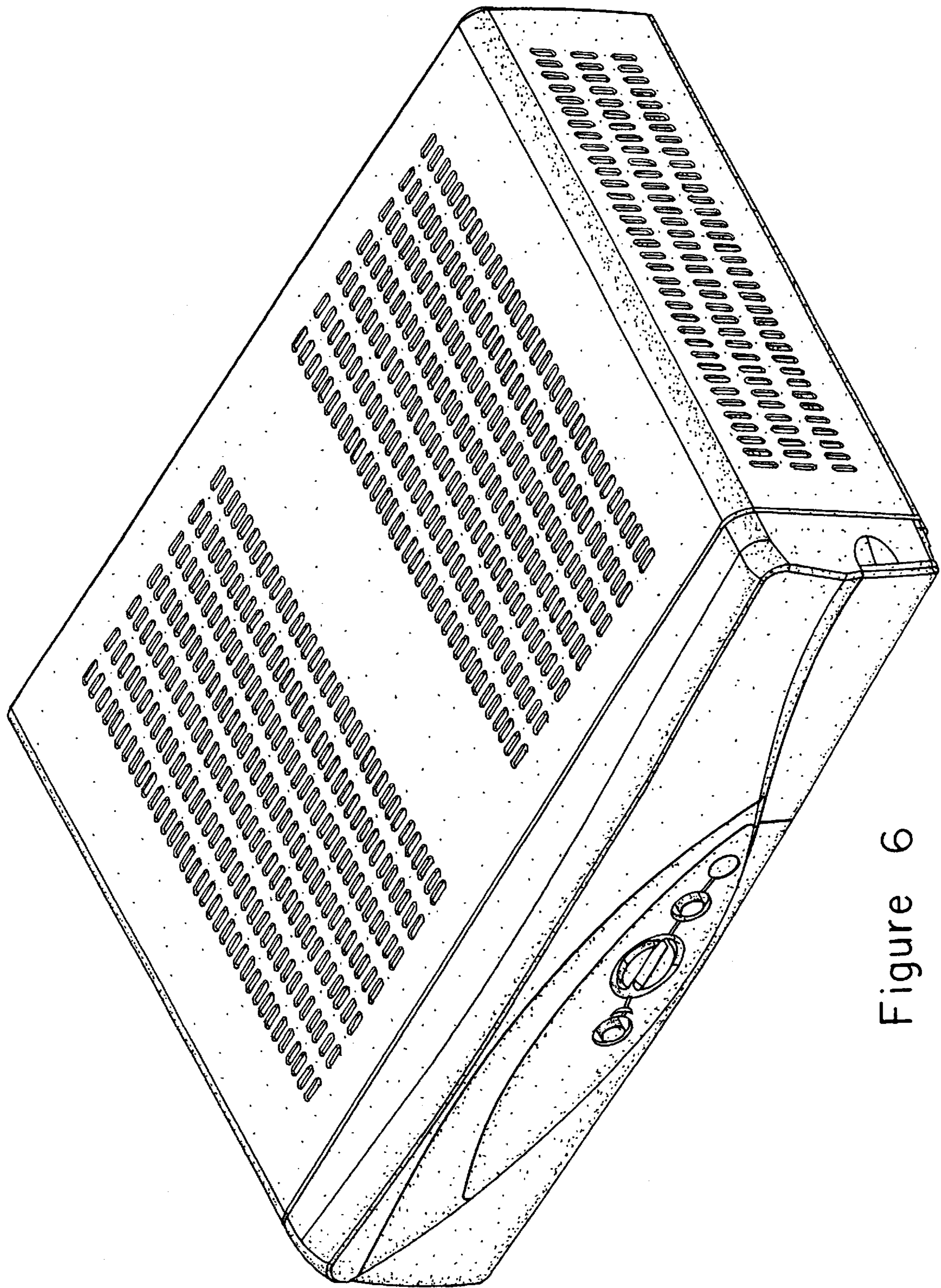


Figure 6

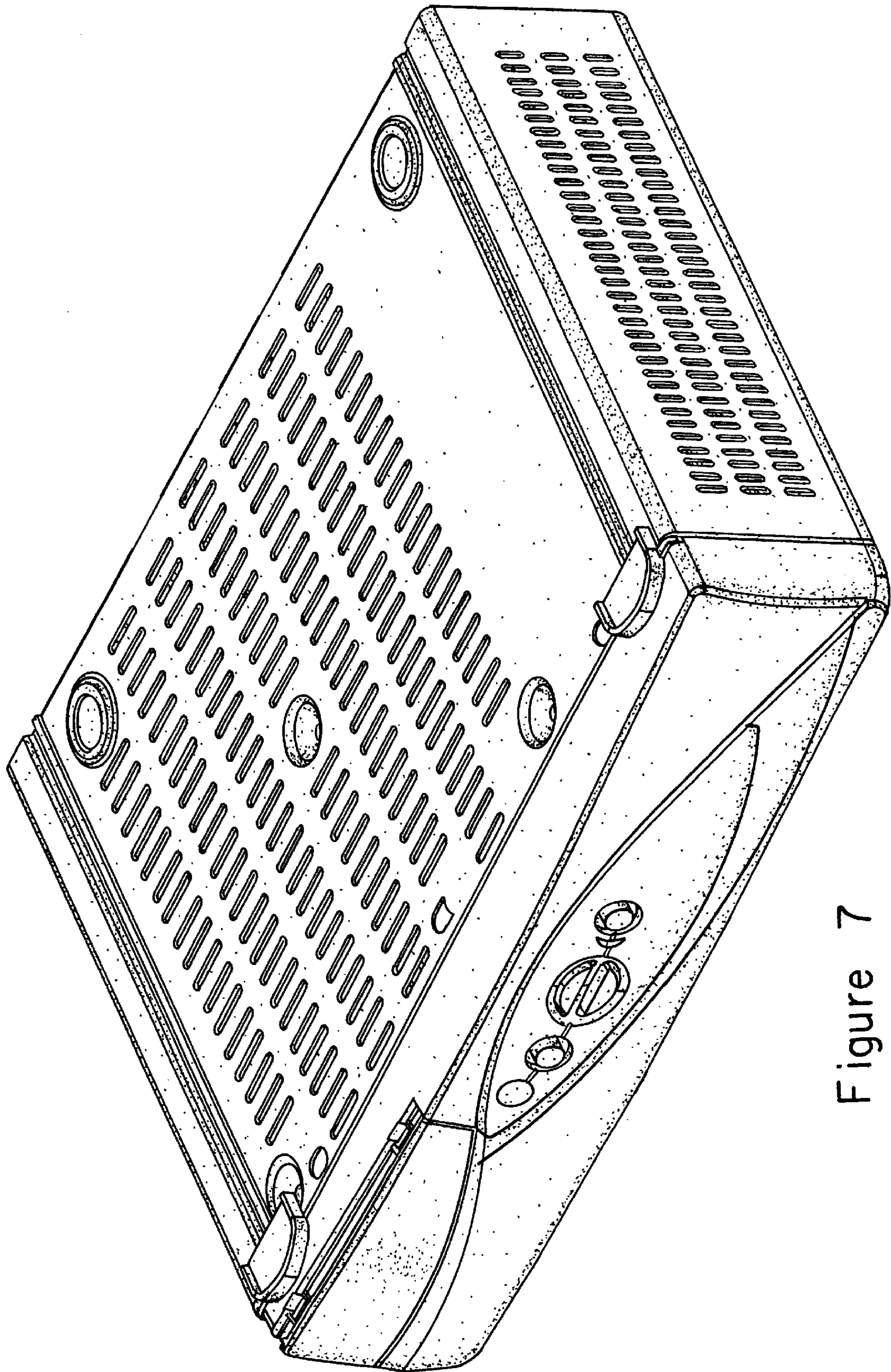


Figure 7