



US00D446777B1

(12) **United States Design Patent**
Zhu et al.

(10) **Patent No.:** **US D446,777 S**

(45) **Date of Patent:** **** Aug. 21, 2001**

(54) **ELECTRICAL CONNECTOR ASSEMBLY**

(75) Inventors: **ZiQiang Zhu; Guohua Zhang**, both of
Kunsan (CN)

(73) Assignee: **Hon Hai Precision Ind. Co., Ltd.**,
Taipei Hsien (TW)

(**) Term: **14 Years**

(21) Appl. No.: **29/134,791**

(22) Filed: **Dec. 28, 2000**

(51) **LOC (7) Cl.** **13-03**

(52) **U.S. Cl.** **D13/147**

(58) **Field of Search** D13/146, 147;
439/79, 108, 540.1, 541.5, 607-610, 717

(56) **References Cited**

U.S. PATENT DOCUMENTS

D. 378,510	*	3/1997	Tan et al.	D13/147
D. 407,070	*	3/1999	Chang	D13/147
D. 416,861	*	11/1999	Fun	D13/146
3,771,104	*	11/1973	Clark	439/717 X
4,171,862	*	10/1979	Krasser	439/717

5,295,870	*	3/1994	Rei et al.	439/717
6,036,544	*	3/2000	Brunker et al.	439/607
6,109,968	*	8/2000	Wang	439/607
6,155,872	*	12/2000	Wu	439/541.5
6,183,292	*	2/2001	Chen et al.	439/541.5
6,203,373	*	3/2001	Lin	439/607

* cited by examiner

Primary Examiner—Joel Sincavage

(74) *Attorney, Agent, or Firm*—Wei Te Chung

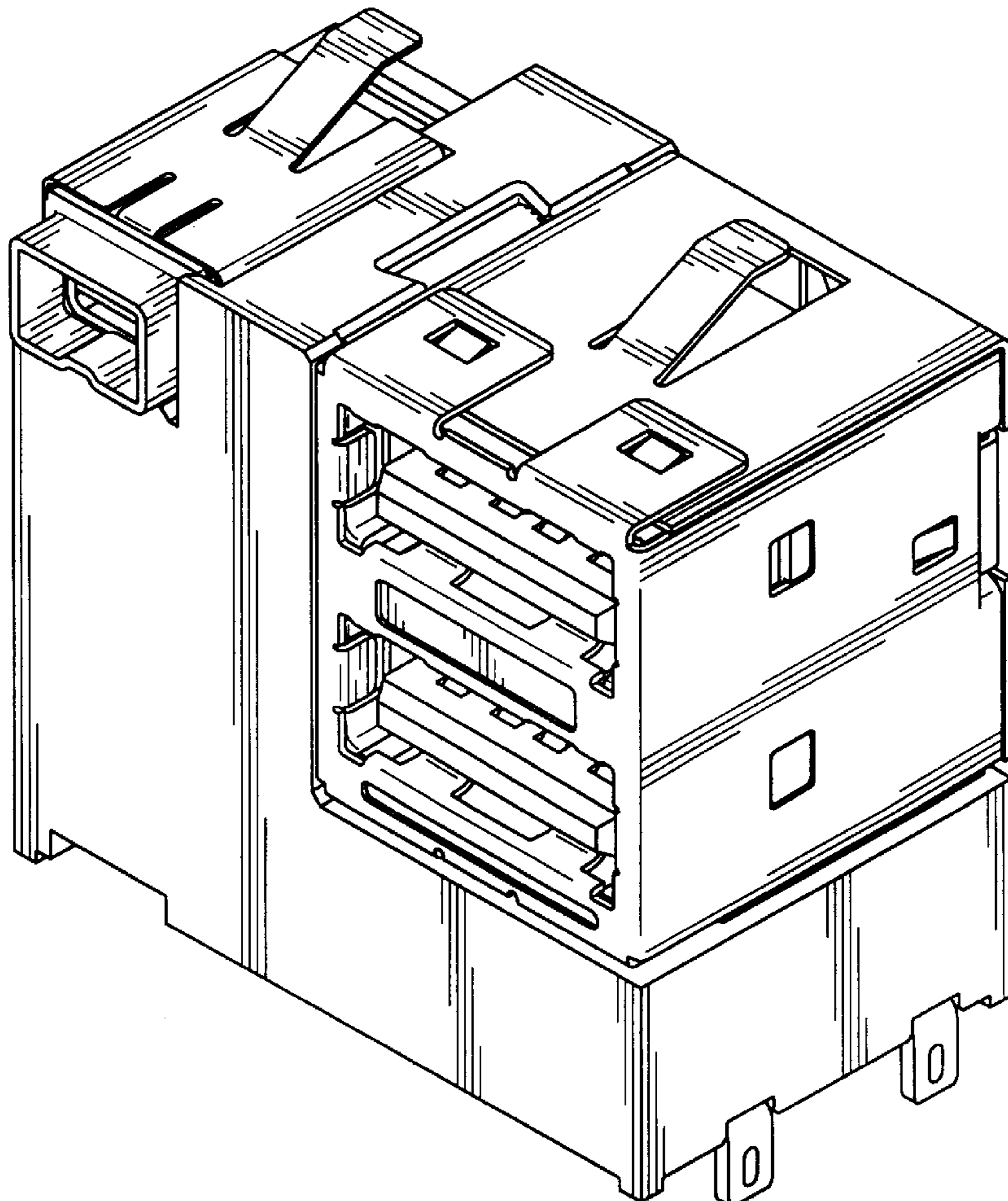
(57) **CLAIM**

The ornamental design for an electrical connector assembly,
as shown.

DESCRIPTION

FIG. 1 is a front, top and right side perspective view of an electrical connector assembly showing our new design; FIG. 2 is a front elevational view thereof; FIG. 3 is a rear elevational view thereof; FIG. 4 is a left side elevational view thereof; FIG. 5 is a right side elevational view thereof; FIG. 6 is a top plan view thereof; and, FIG. 7 is a bottom plan view thereof.

1 Claim, 7 Drawing Sheets



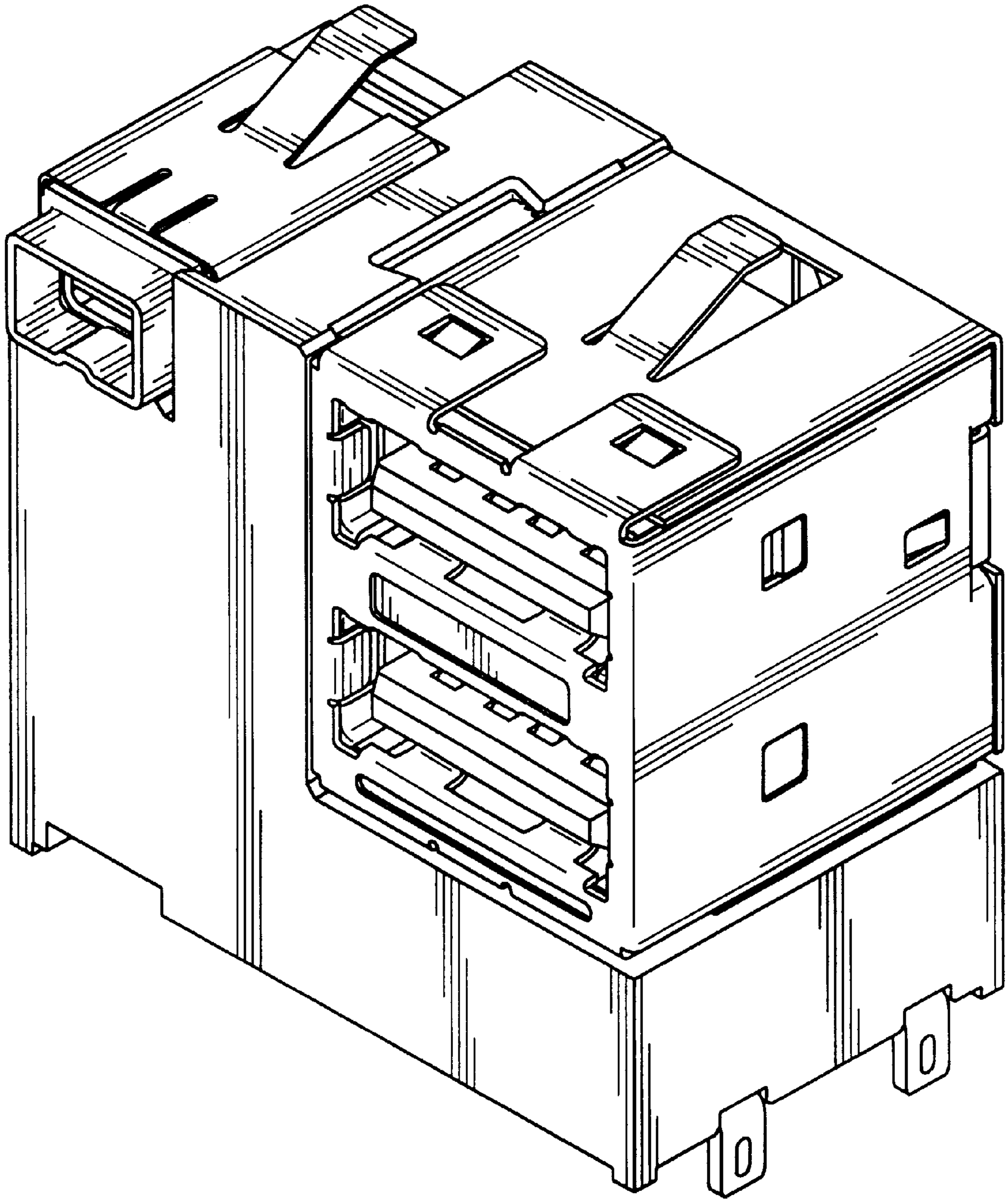


FIG. 1

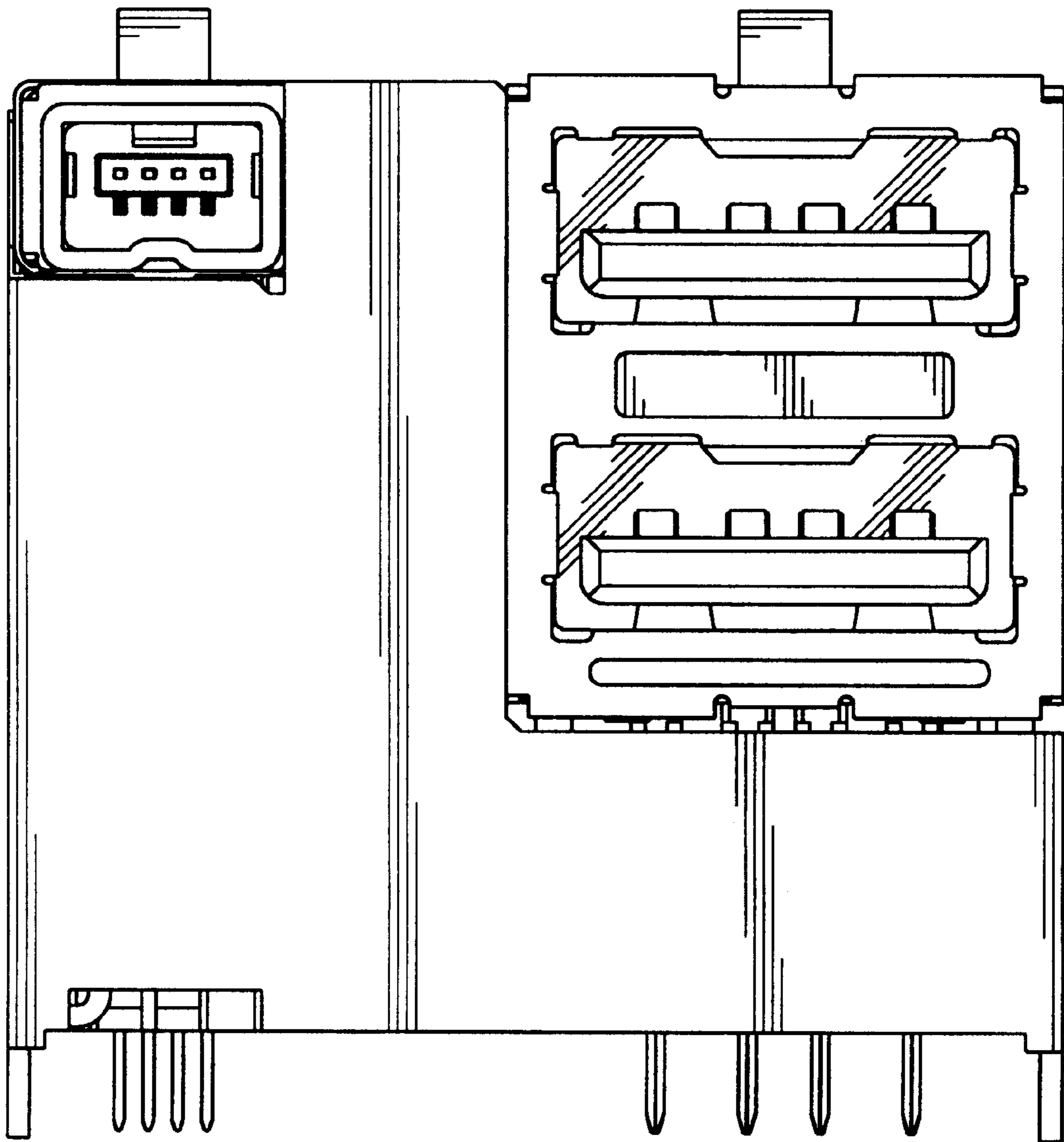


FIG. 2

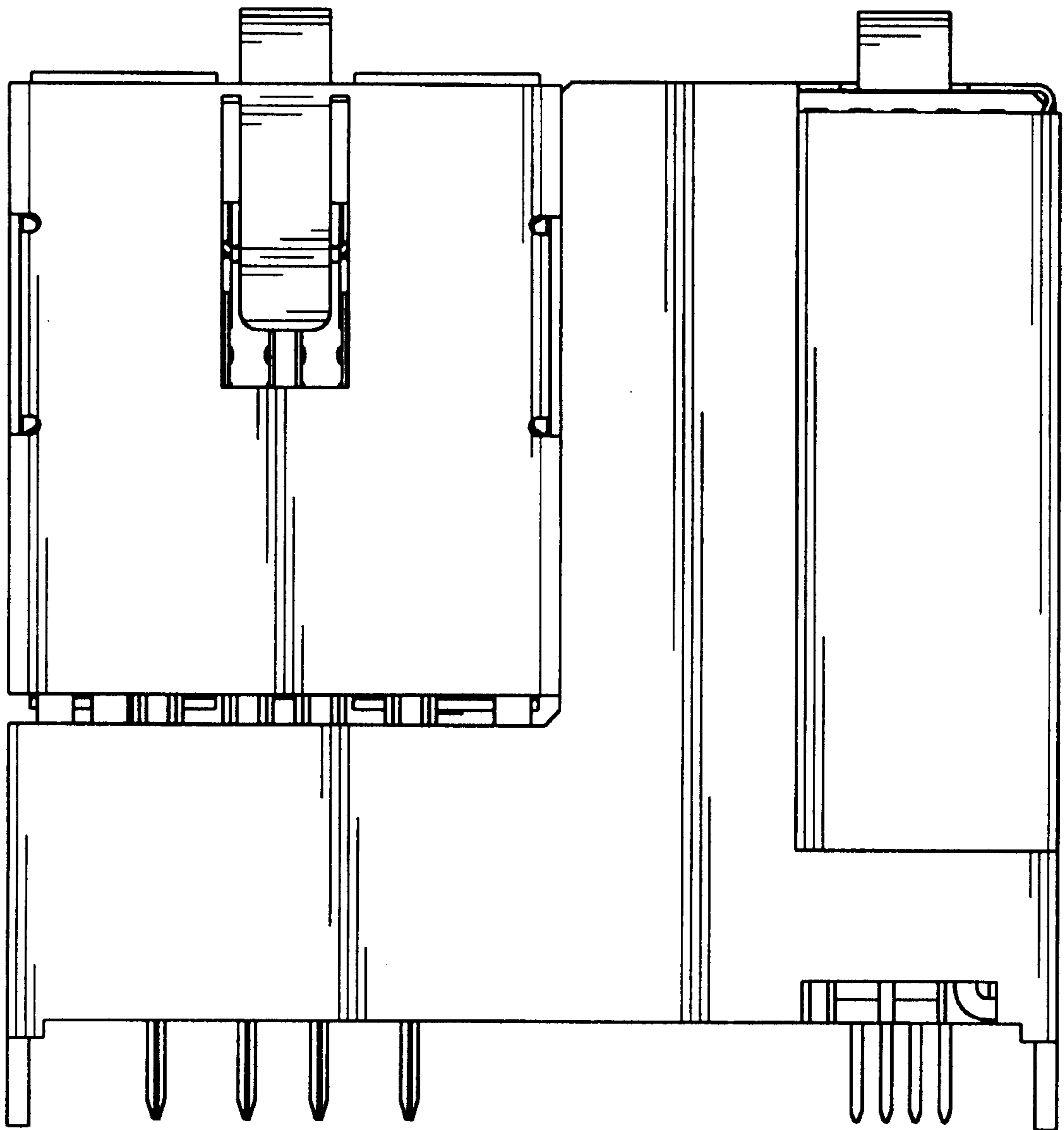


FIG. 3

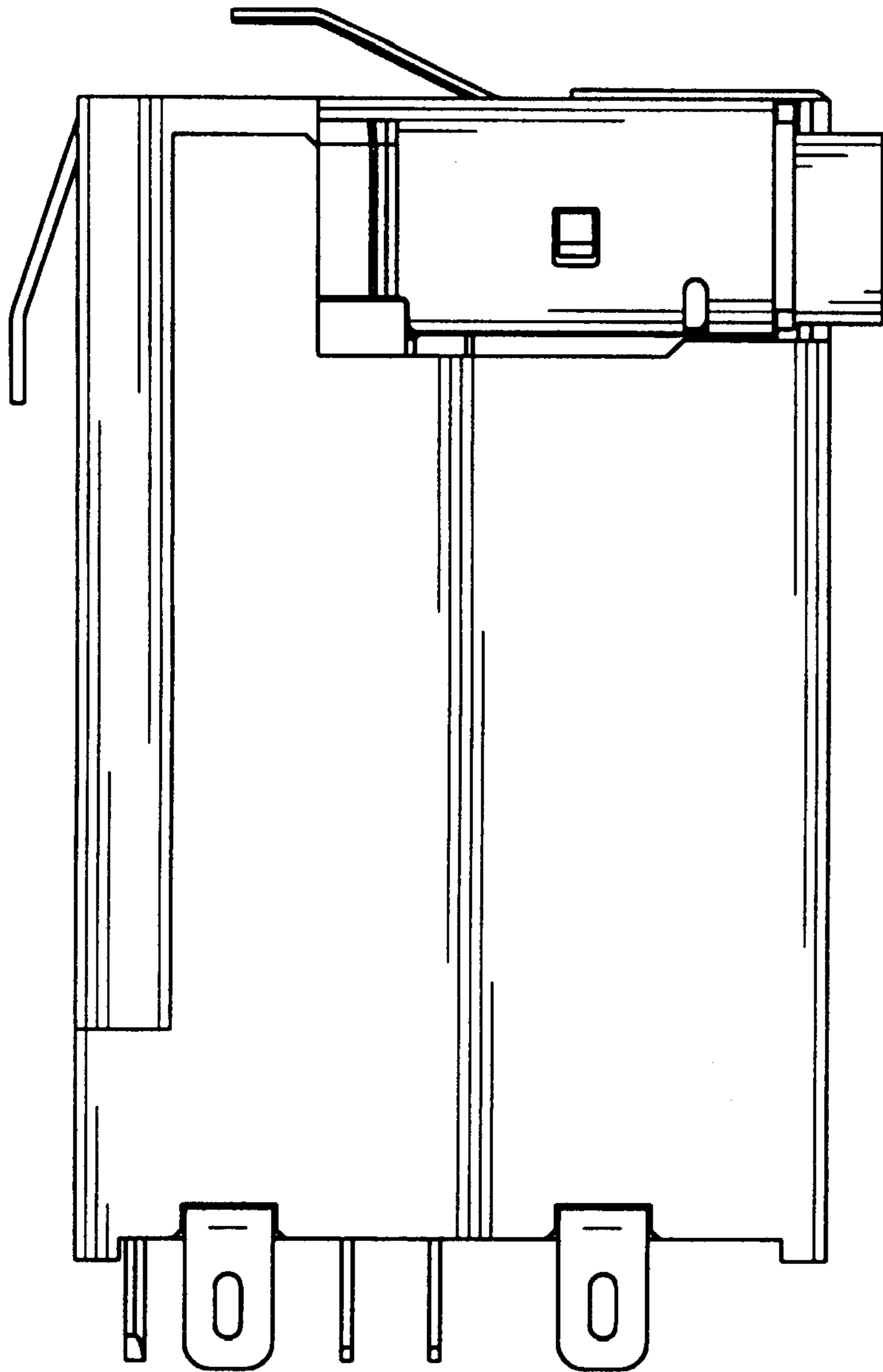


FIG. 4

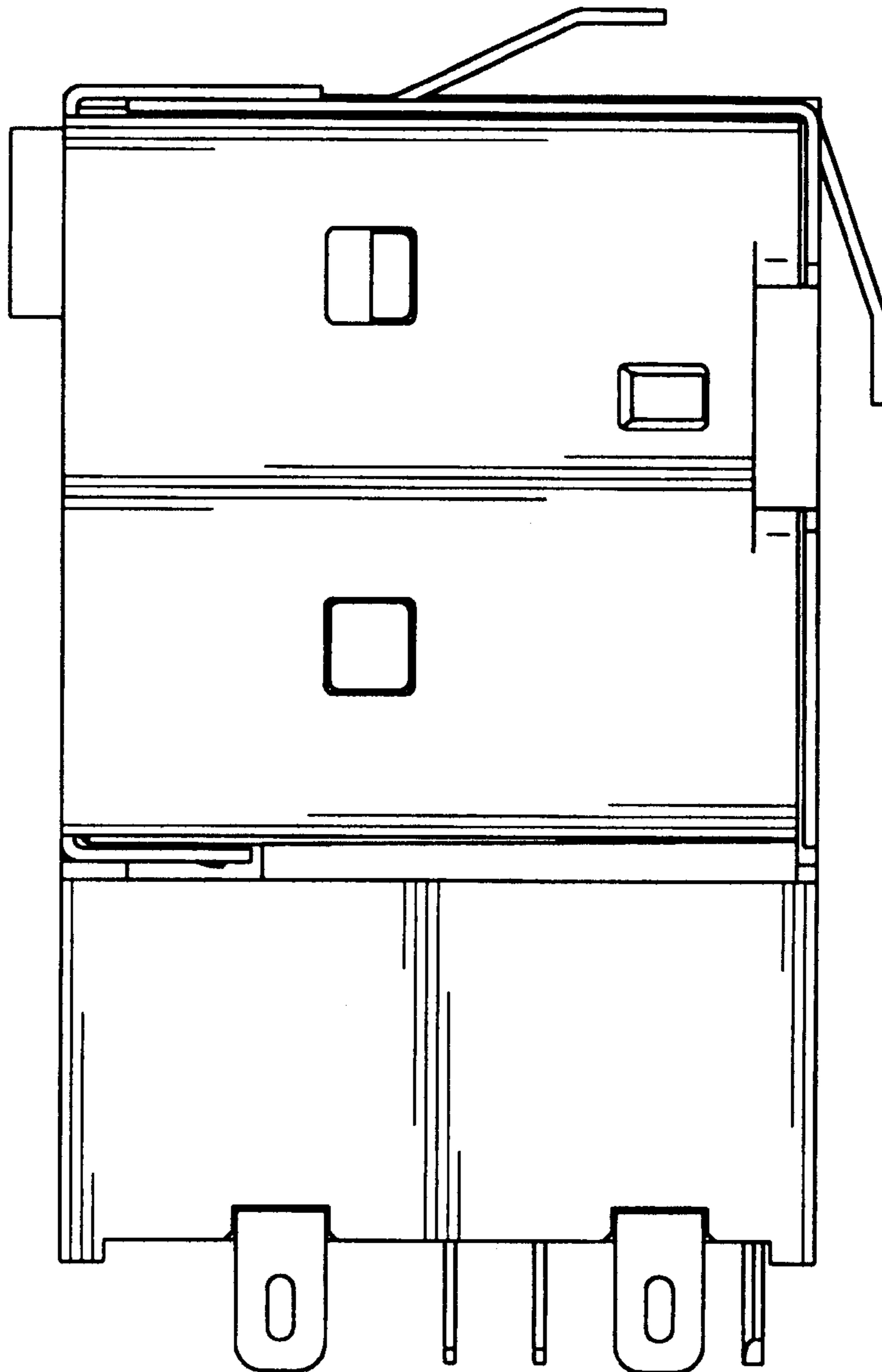


FIG. 5

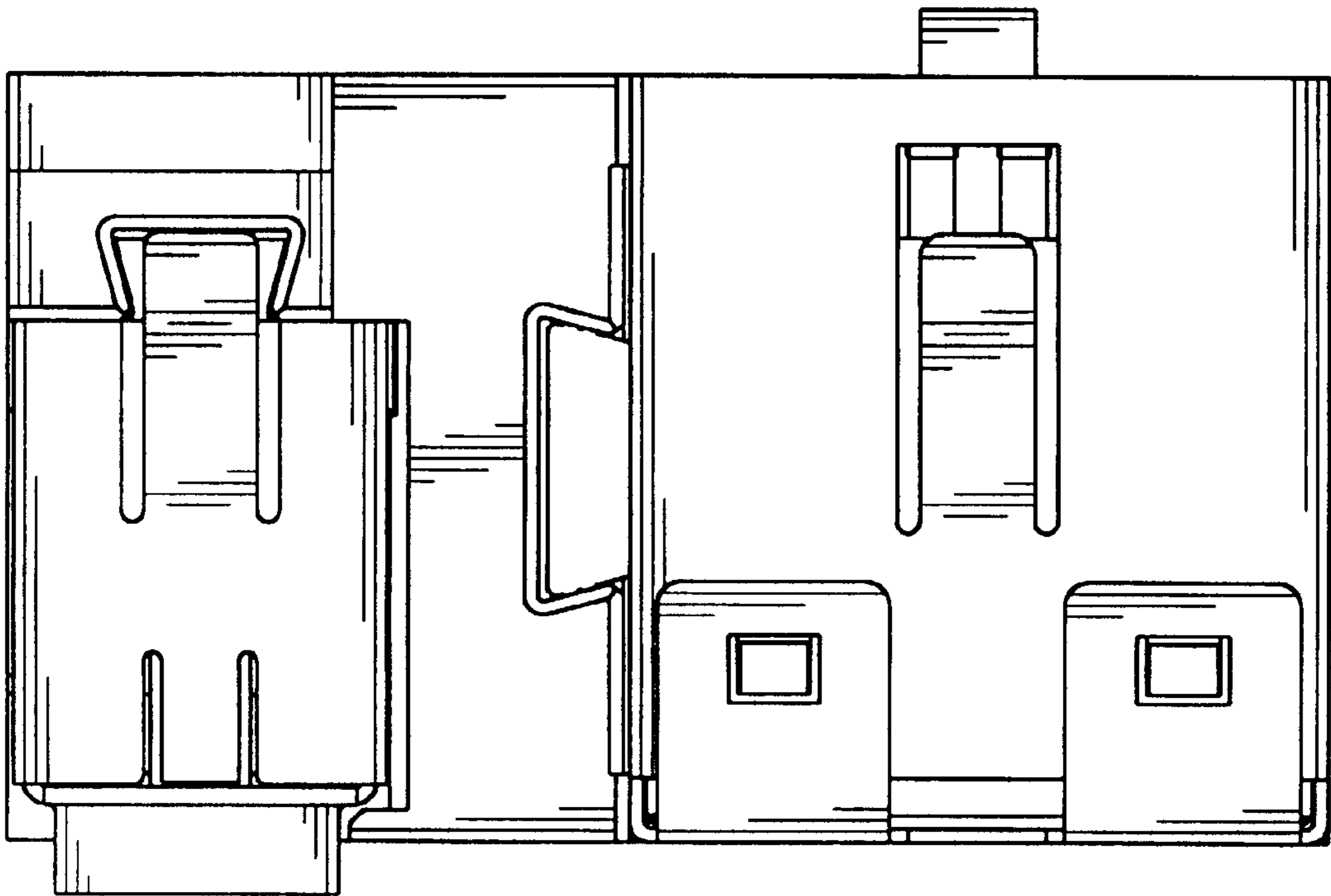


FIG. 6

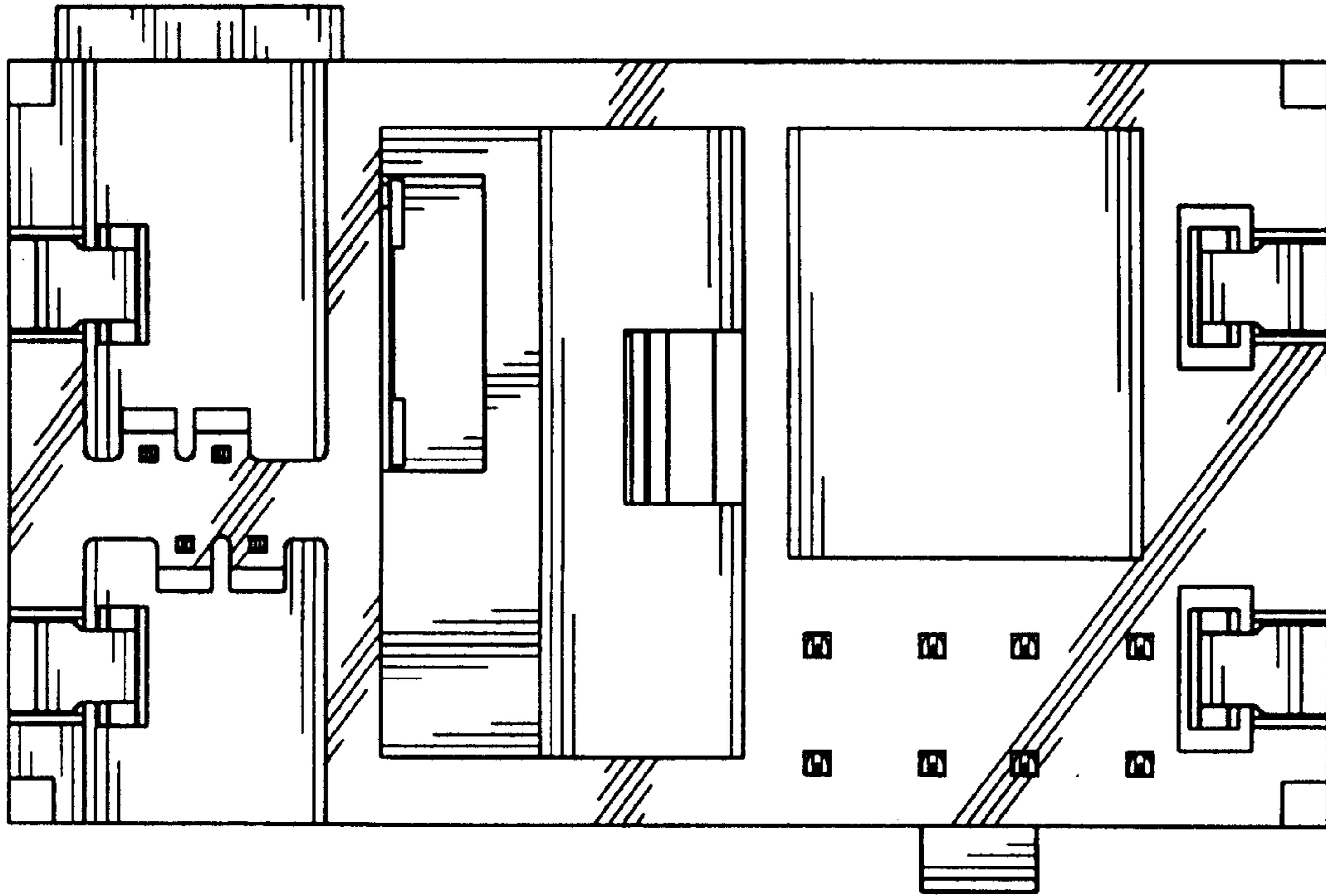


FIG. 7