



US00D446774B1

(12) **United States Design Patent**
Zhu et al.

(10) **Patent No.:** **US D446,774 S**

(45) **Date of Patent:** **** Aug. 21, 2001**

(54) **ELECTRICAL CONNECTOR**

(75) Inventors: **ZiQiang Zhu; Zhong Hua Yao**, both of
KunShan (CN)

(73) Assignee: **Hon Hai Precision Ind. Co., Ltd.**,
Taipei Hsien (TW)

(**) Term: **14 Years**

(21) Appl. No.: **29/130,891**

(22) Filed: **Oct. 10, 2000**

(30) **Foreign Application Priority Data**

Sep. 5, 2000 (TW) 089306032

(51) **LOC (7) Cl.** **13-03**

(52) **U.S. Cl.** **D13/147**

(58) **Field of Search** D13/146, 147;
439/79, 108, 540.1, 541.5, 607-610

(56) **References Cited**

U.S. PATENT DOCUMENTS

D. 406,818 * 3/1999 Wu D13/147
D. 414,464 * 9/1999 Wu D13/146

D. 418,480 * 1/2000 Yeh D13/147
D. 425,026 * 5/2000 Zhu et al. D13/146
5,738,544 * 4/1998 Davis 439/607
5,797,770 * 8/1998 Davis et al. 439/607
5,993,258 * 11/1999 Matsunuma et al. 439/607
6,113,428 * 9/2000 Yeh 439/609
6,203,373 * 3/2001 Lin 439/607

* cited by examiner

Primary Examiner—Joel Sincavage

(74) *Attorney, Agent, or Firm*—Wei Te Chung

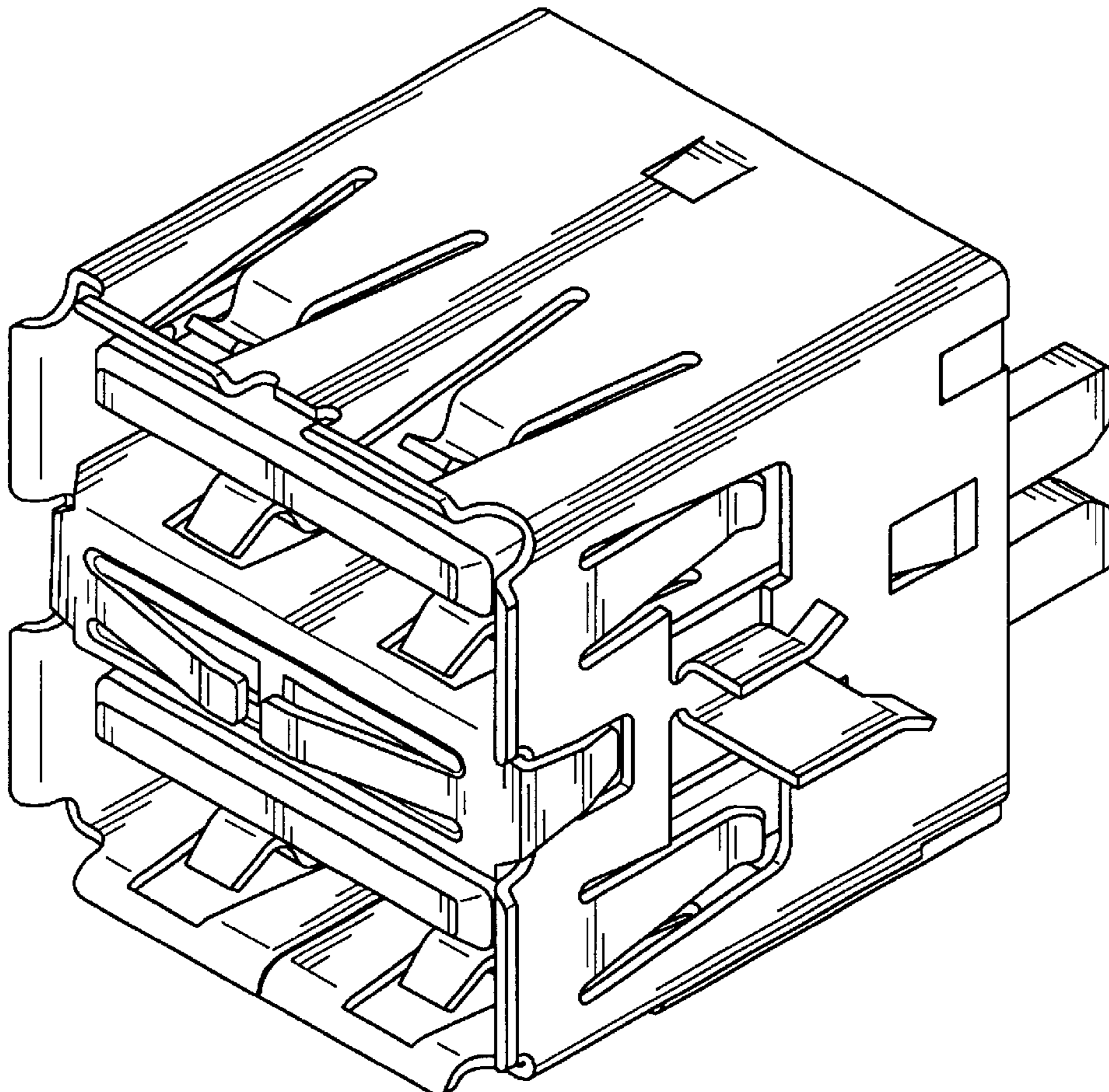
(57) **CLAIM**

The ornamental design for an electrical connector, as shown.

DESCRIPTION

FIG. 1 is a front, top and right side perspective view of an electrical connector showing our new design; FIG. 2 is a front elevational view thereof; FIG. 3 is a rear elevational view thereof; FIG. 4 is a left side elevational view thereof; FIG. 5 is a right side elevational view thereof; FIG. 6 is a top plan view thereof; and, FIG. 7 is a bottom plan view thereof.

1 Claim, 7 Drawing Sheets



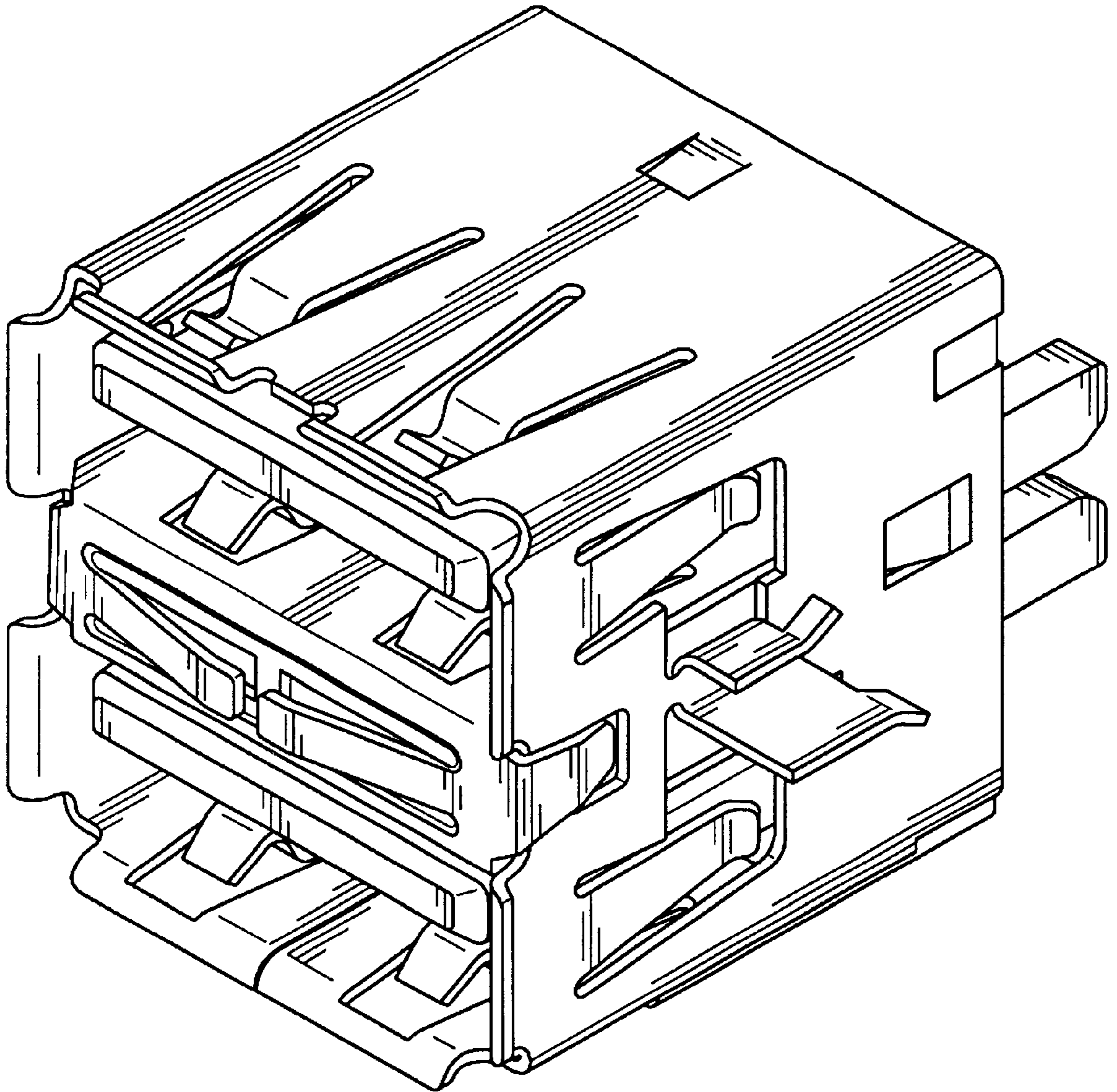


FIG. 1

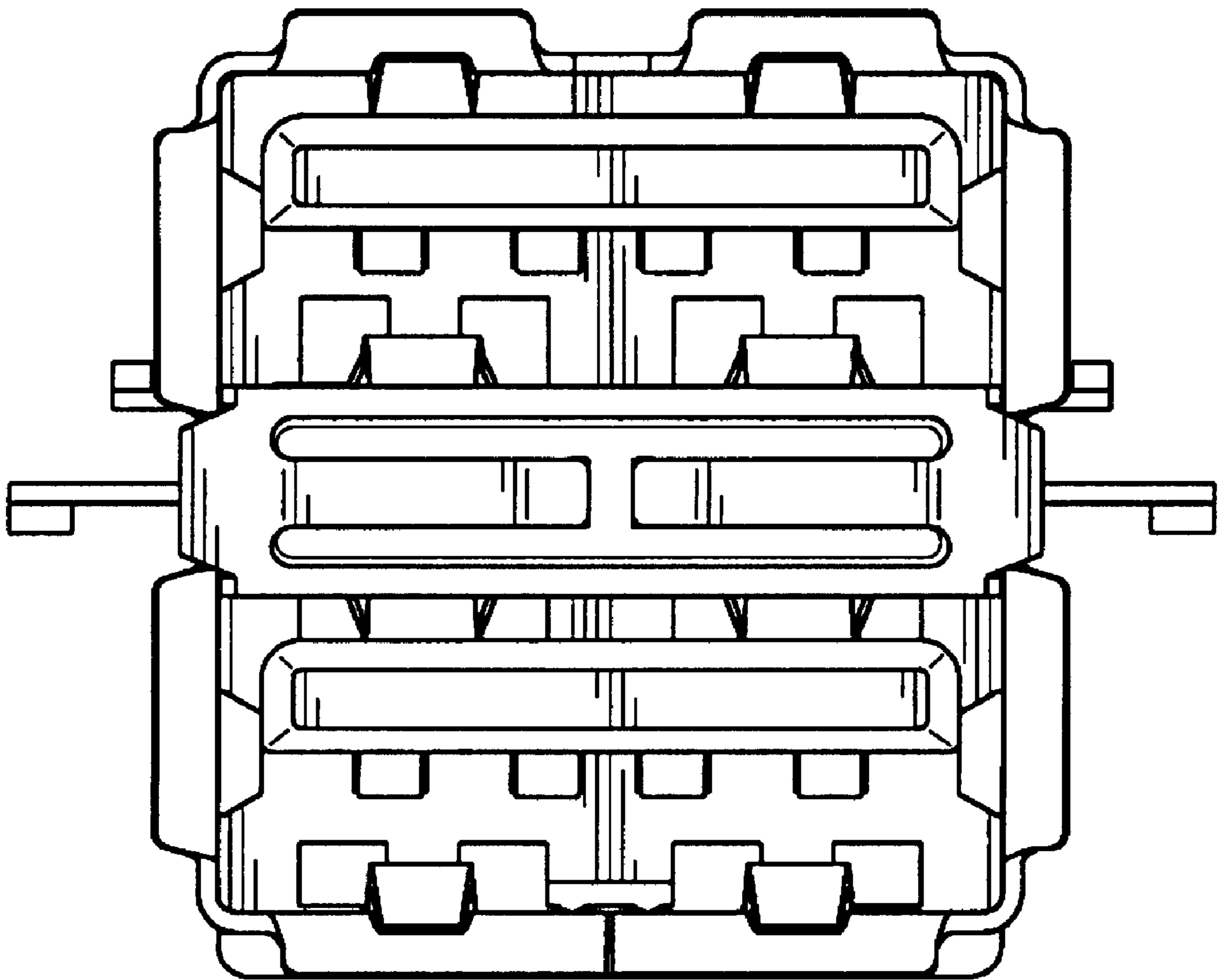


FIG. 2

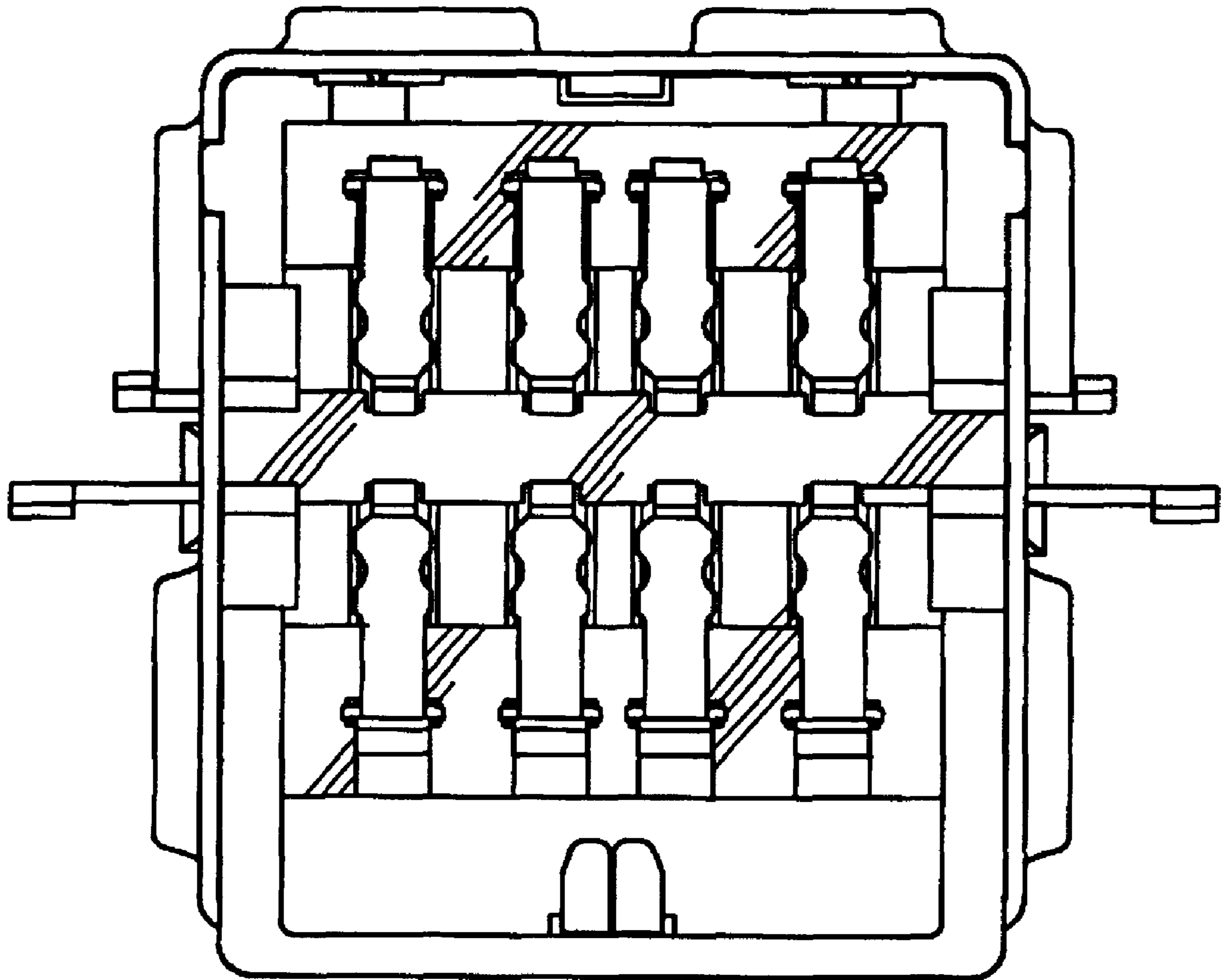


FIG. 3

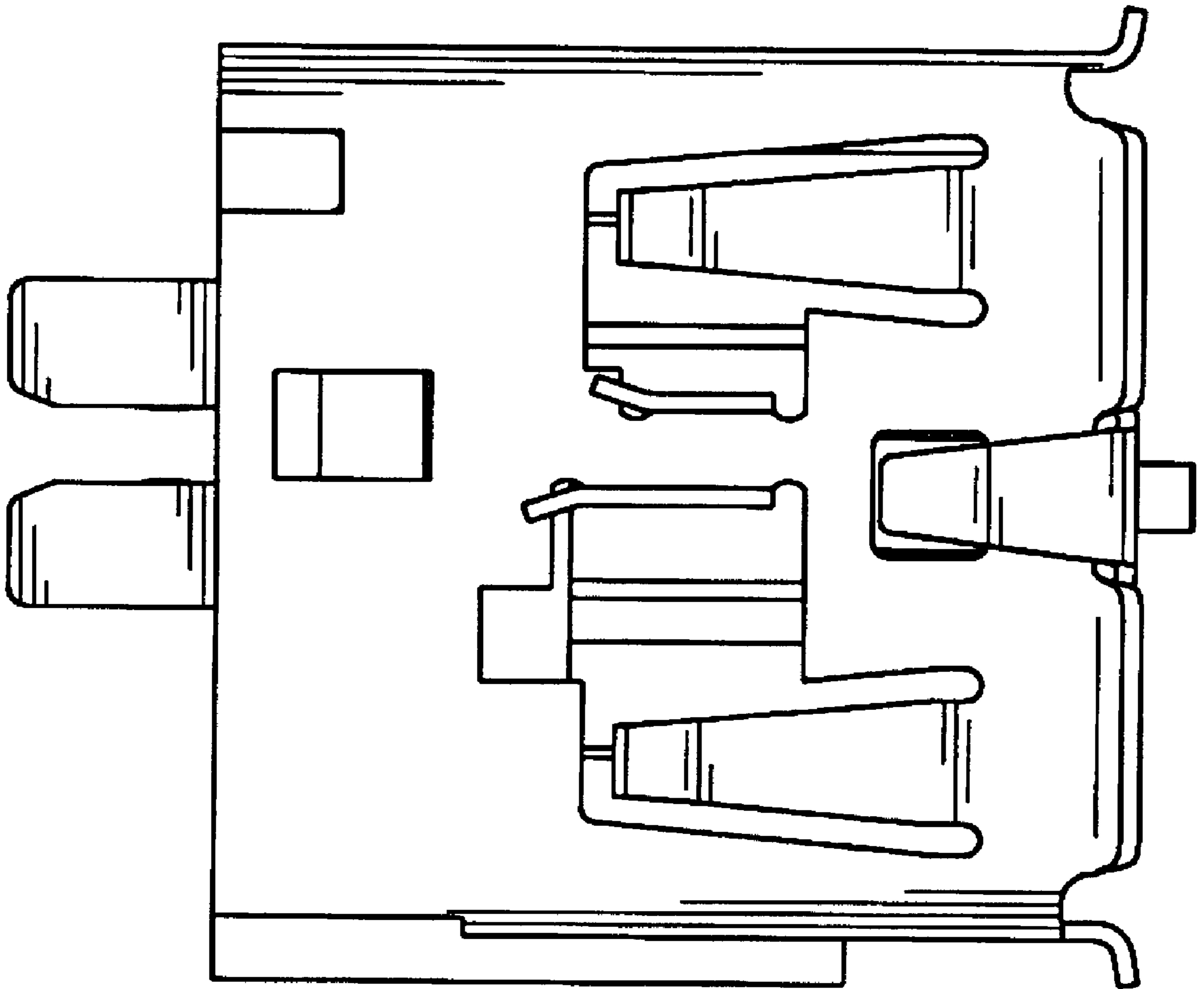


FIG. 4

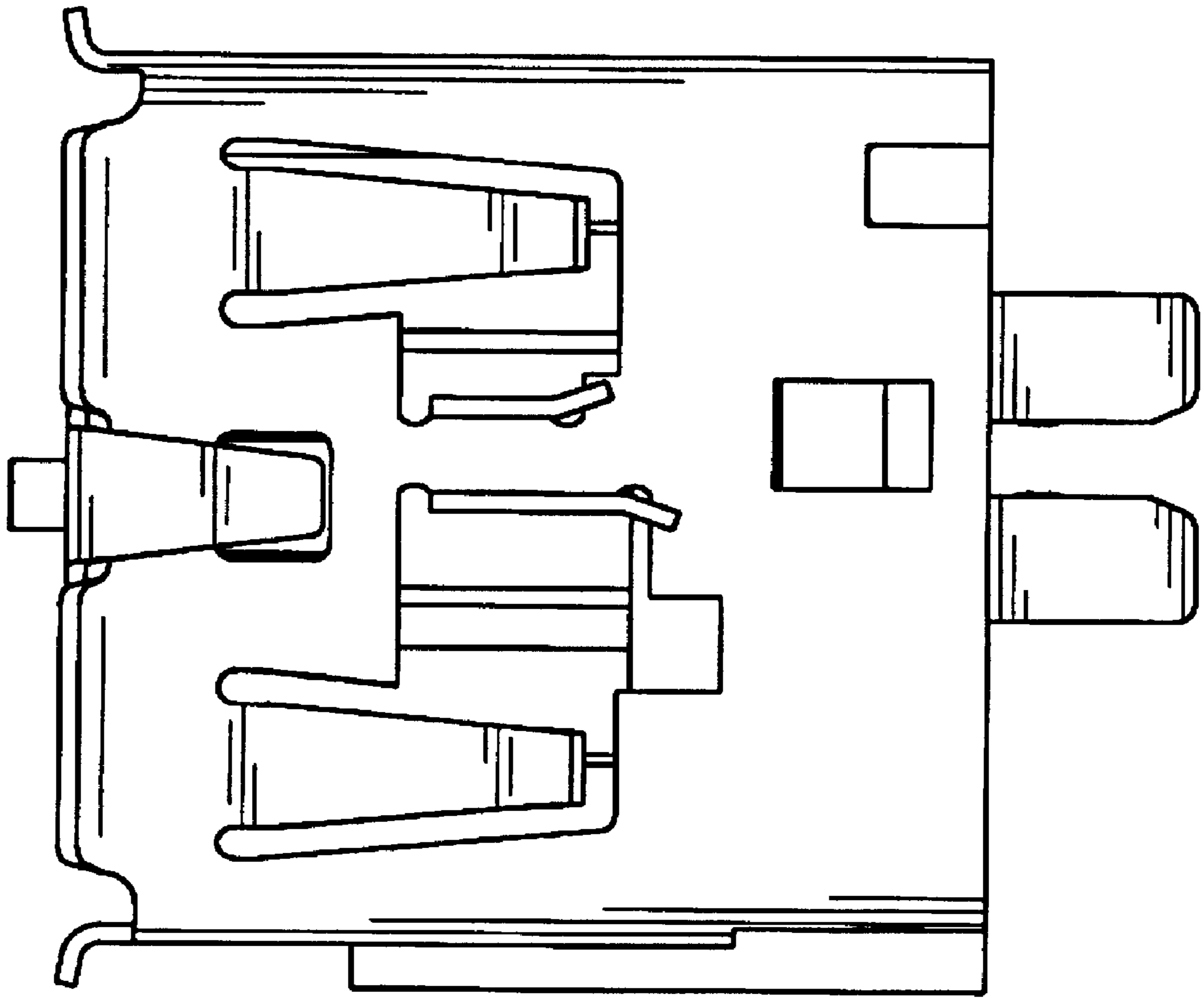


FIG. 5

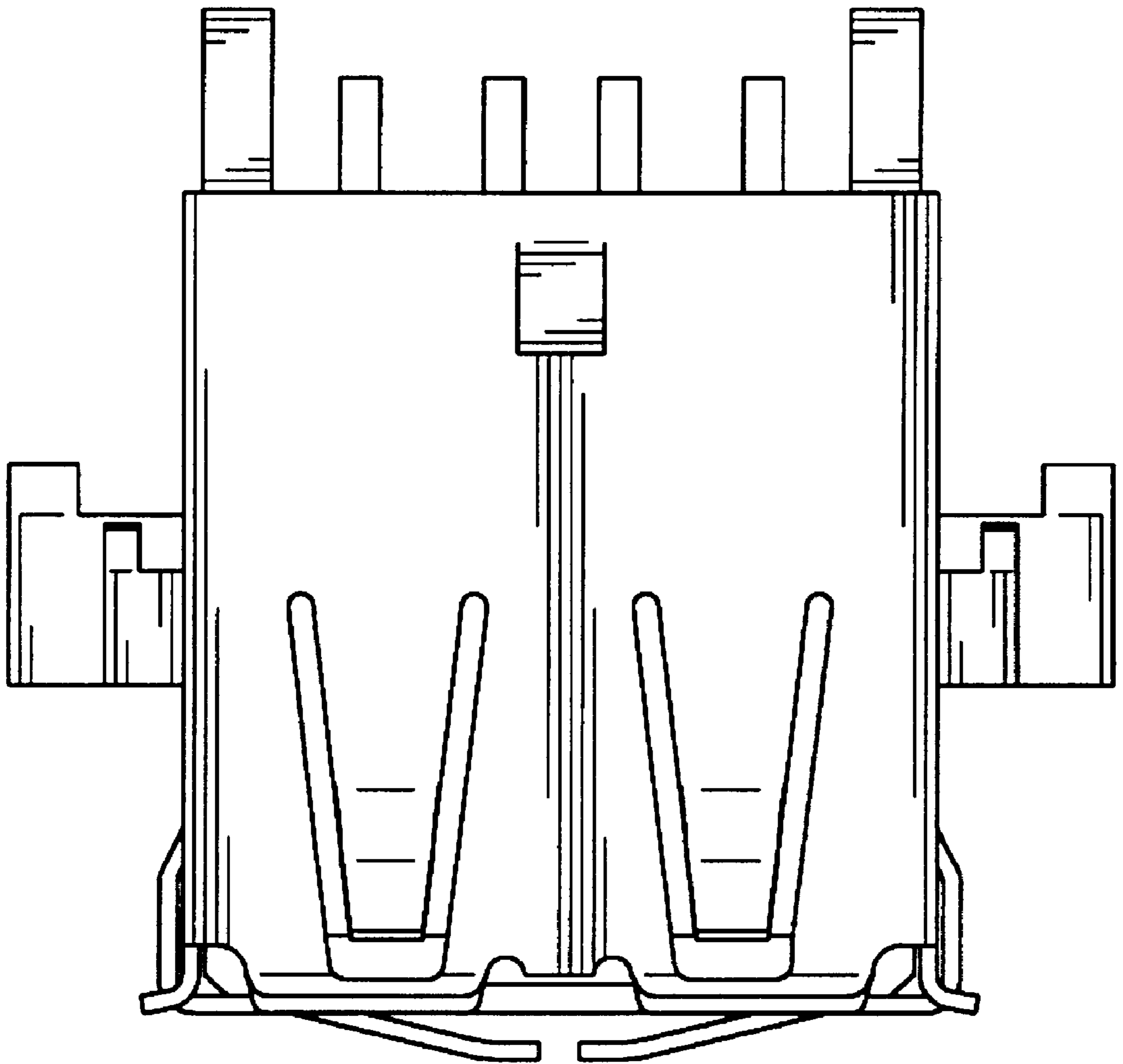


FIG. 6

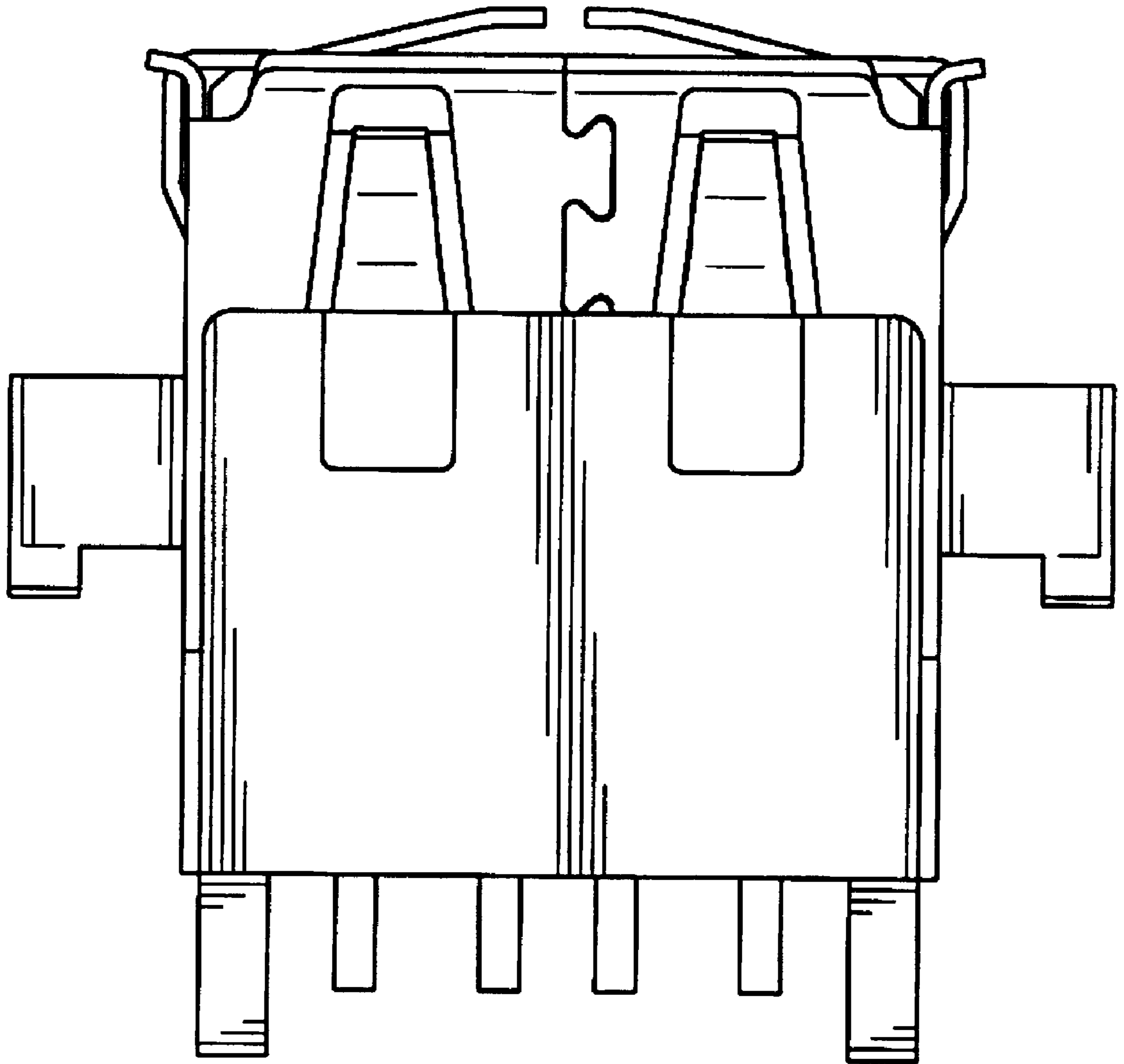


FIG. 7