



US00D446773B1

(12) **United States Design Patent**
Yao et al.

(10) **Patent No.:** **US D446,773 S**

(45) **Date of Patent:** **** Aug. 21, 2001**

(54) **ELECTRICAL CONNECTOR**

(75) Inventors: **Zhong Hua Yao; ZiQiang Zhu; Yong Zhang**, all of Kunsan (CN)

(73) Assignee: **Hon Hai Precision Ind. Co., Ltd.**,
Taipei Hsien (TW)

(**) Term: **14 Years**

(21) Appl. No.: **29/130,886**

(22) Filed: **Oct. 10, 2000**

(30) **Foreign Application Priority Data**

Sep. 14, 2000 (TW) 089306189

(51) **LOC (7) Cl.** **13-03**

(52) **U.S. Cl.** **D13/147**

(58) **Field of Search** D13/146, 147;
439/79, 607-610, 108

(56) **References Cited**

U.S. PATENT DOCUMENTS

D. 399,489 * 10/1998 Nishio et al. D13/147

D. 409,570 * 5/1999 Wu D13/147

D. 427,975 * 7/2000 Zhu et al. D13/147
5,928,035 * 7/1999 Jankowsky et al. 439/607
5,938,473 * 8/1999 Nishio et al. 439/607 X
5,984,725 * 11/1999 Belopolsky et al. 439/607
5,993,258 * 11/1999 Matsunuma et al. 439/607
6,007,382 * 12/1999 Wu 439/607

* cited by examiner

Primary Examiner—Joel Sincavage

(74) *Attorney, Agent, or Firm*—Wei Te Chung

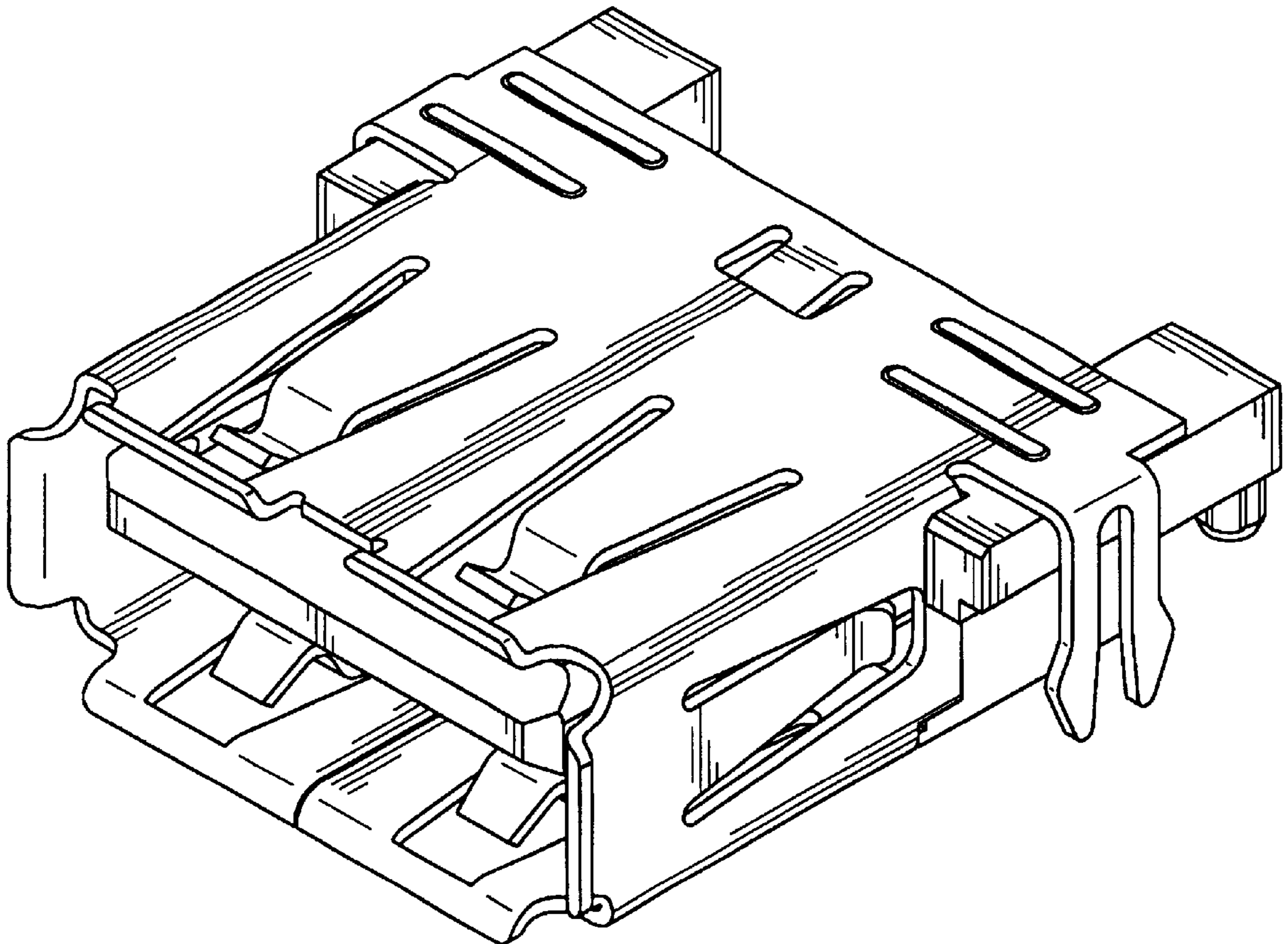
(57) **CLAIM**

The ornamental design for an electrical connector, as shown.

DESCRIPTION

FIG. 1 is a front, top and right side perspective view of an electrical connector showing our new design; FIG. 2 is a front elevational view thereof; FIG. 3 is a rear elevational view thereof; FIG. 4 is a left side elevational view thereof; FIG. 5 is a right side elevational view thereof; FIG. 6 is a top plan view thereof; and, FIG. 7 is a bottom plan view thereof.

1 Claim, 5 Drawing Sheets



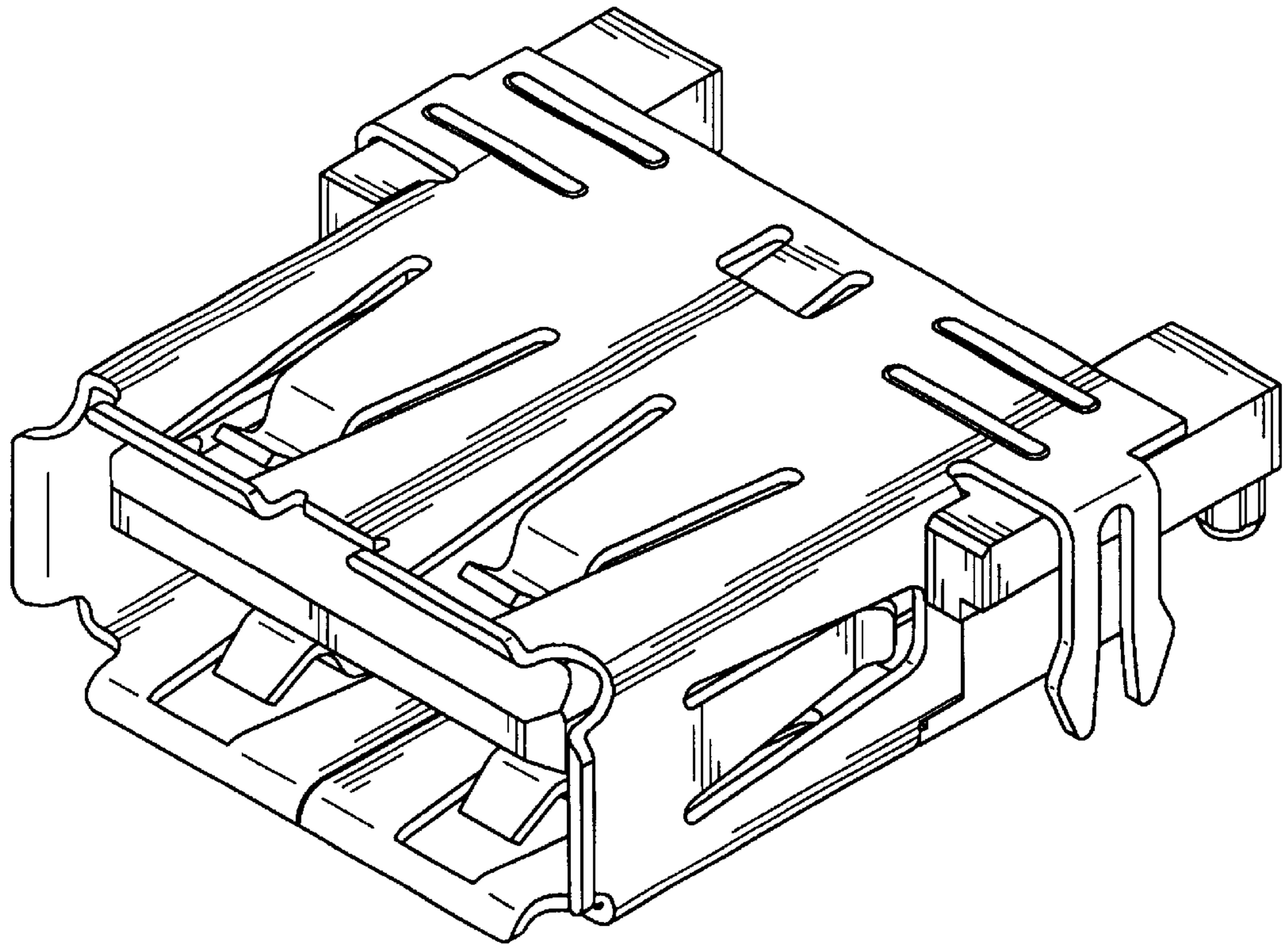


FIG. 1

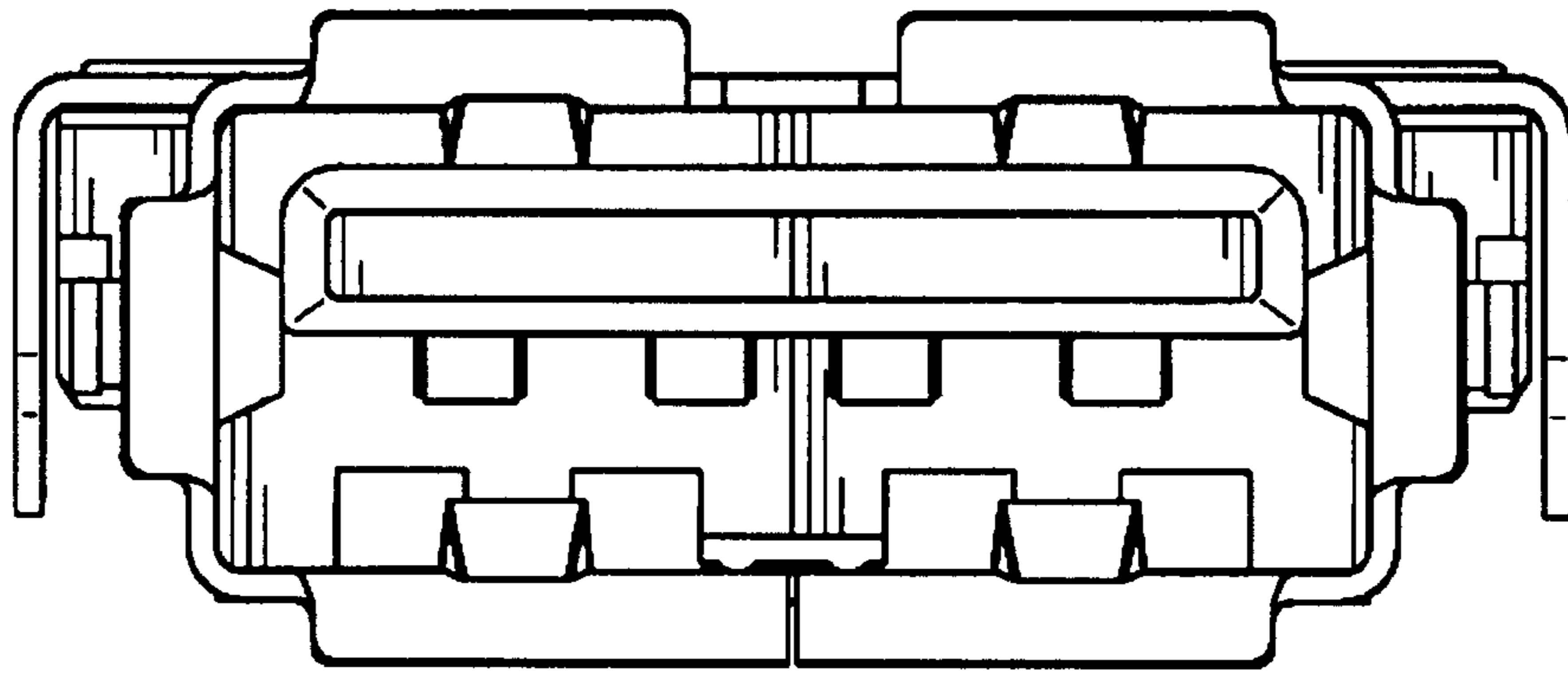


FIG. 2

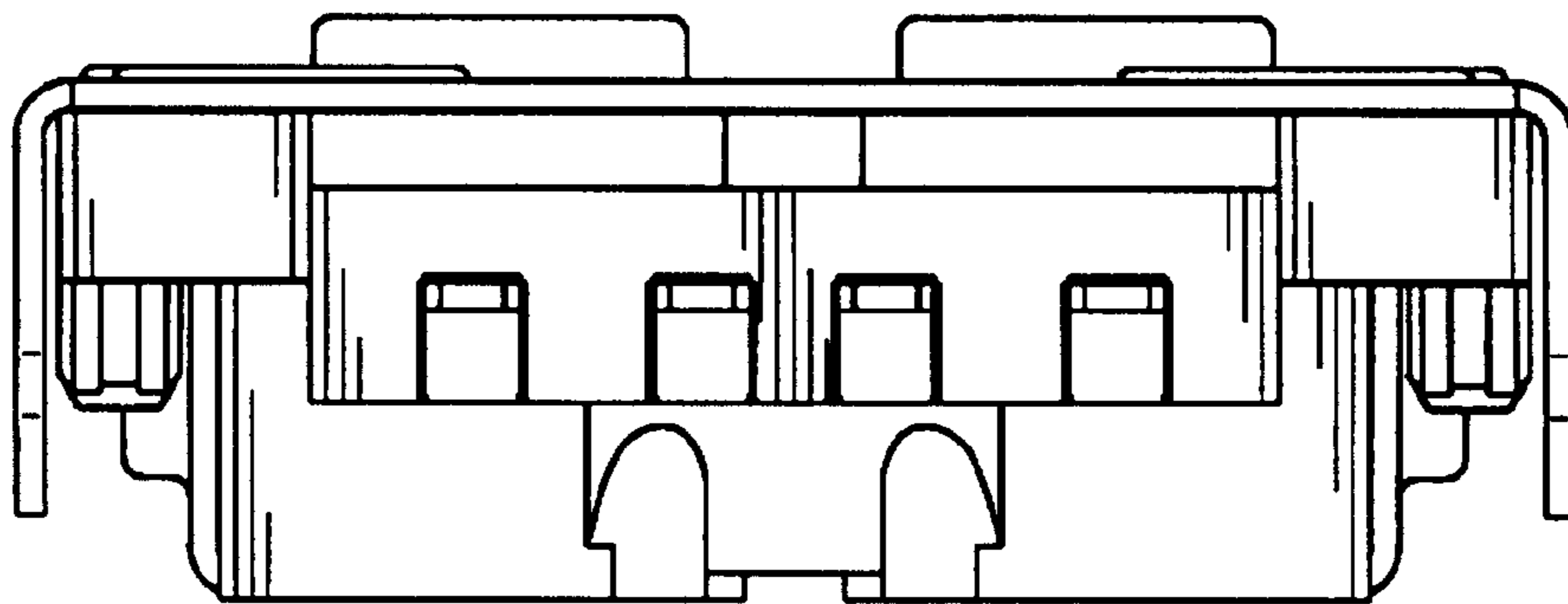


FIG. 3

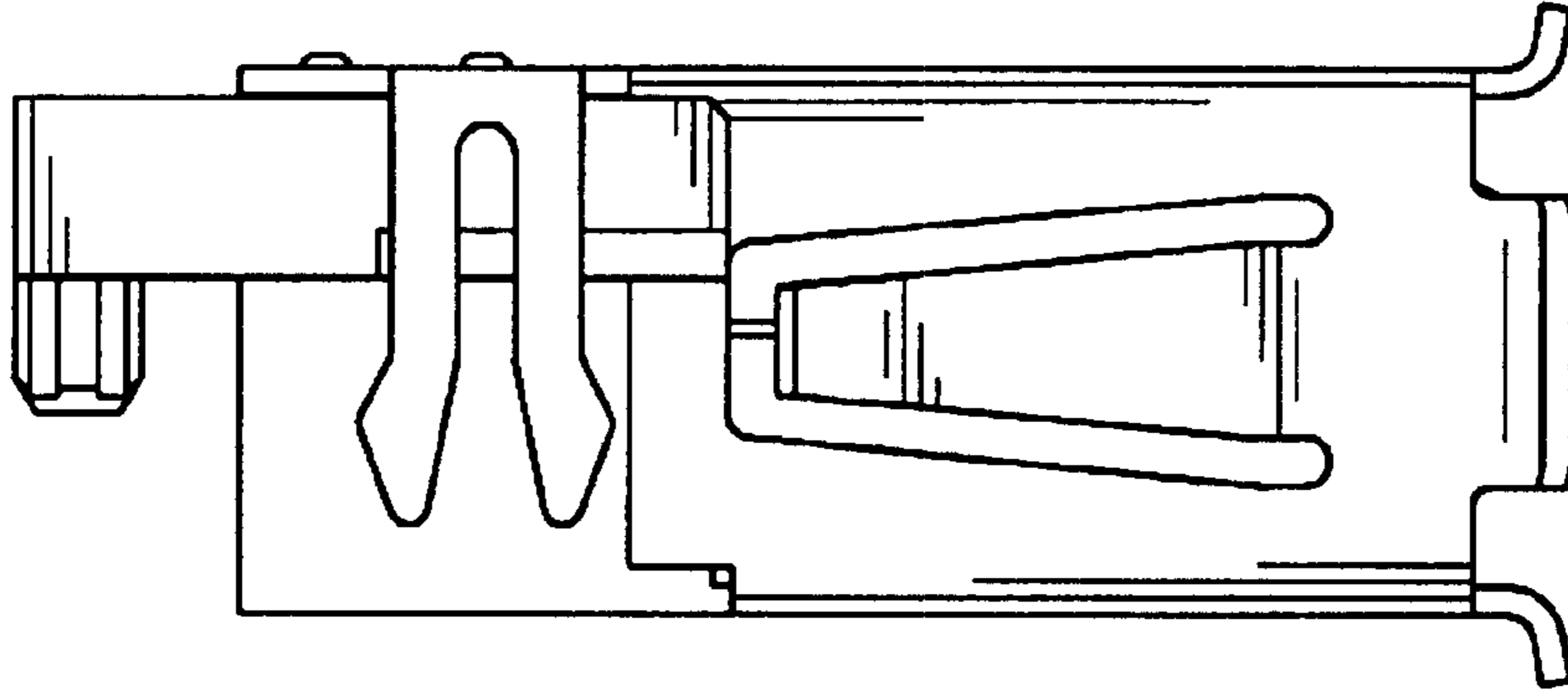


FIG. 4

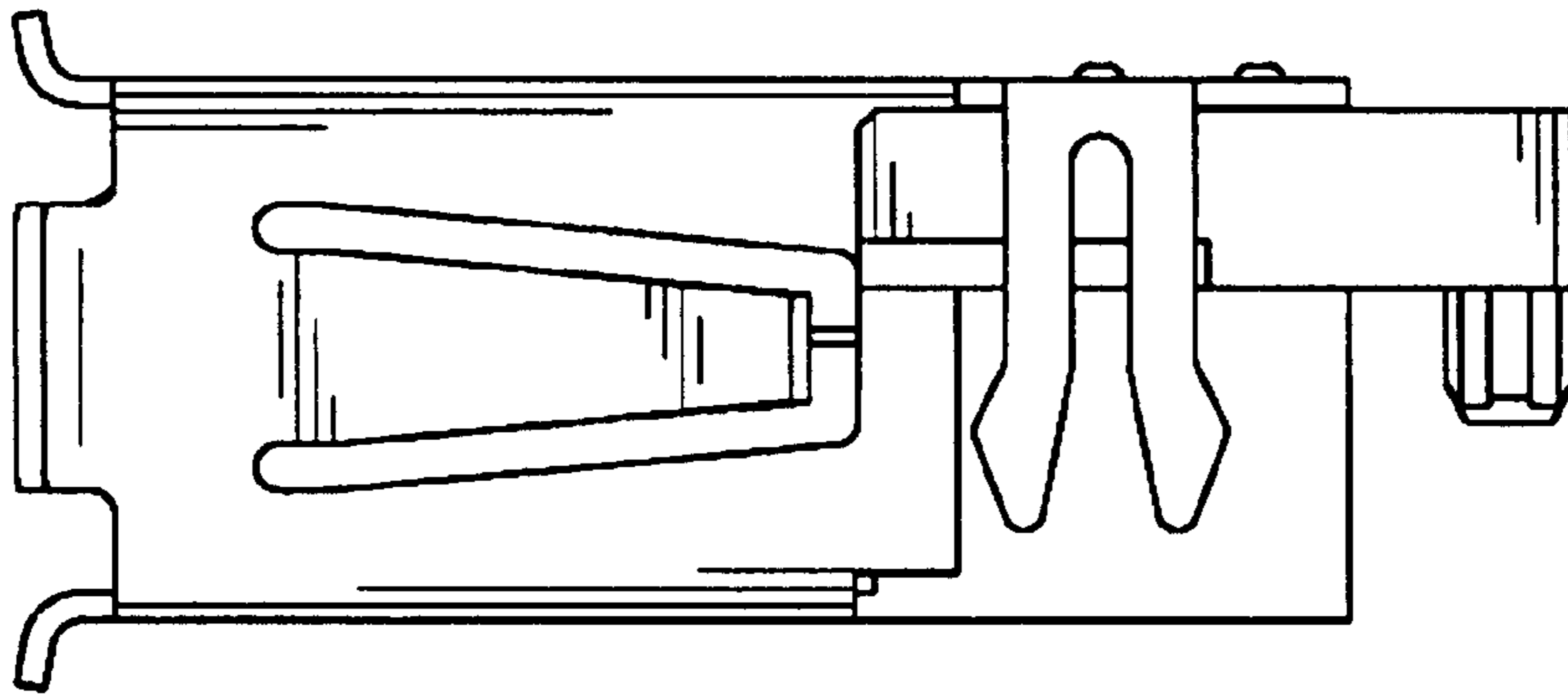


FIG. 5

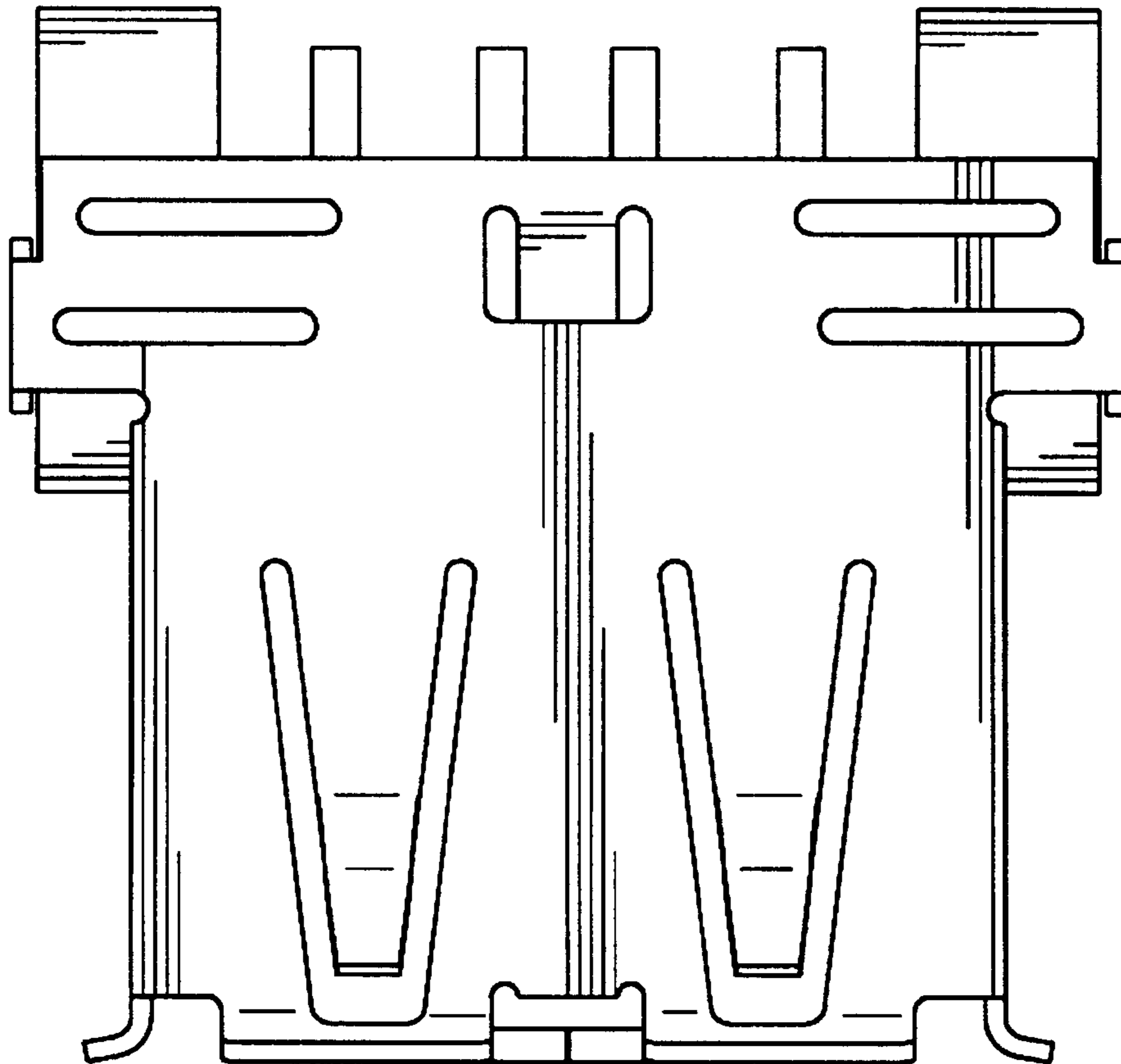


FIG. 6

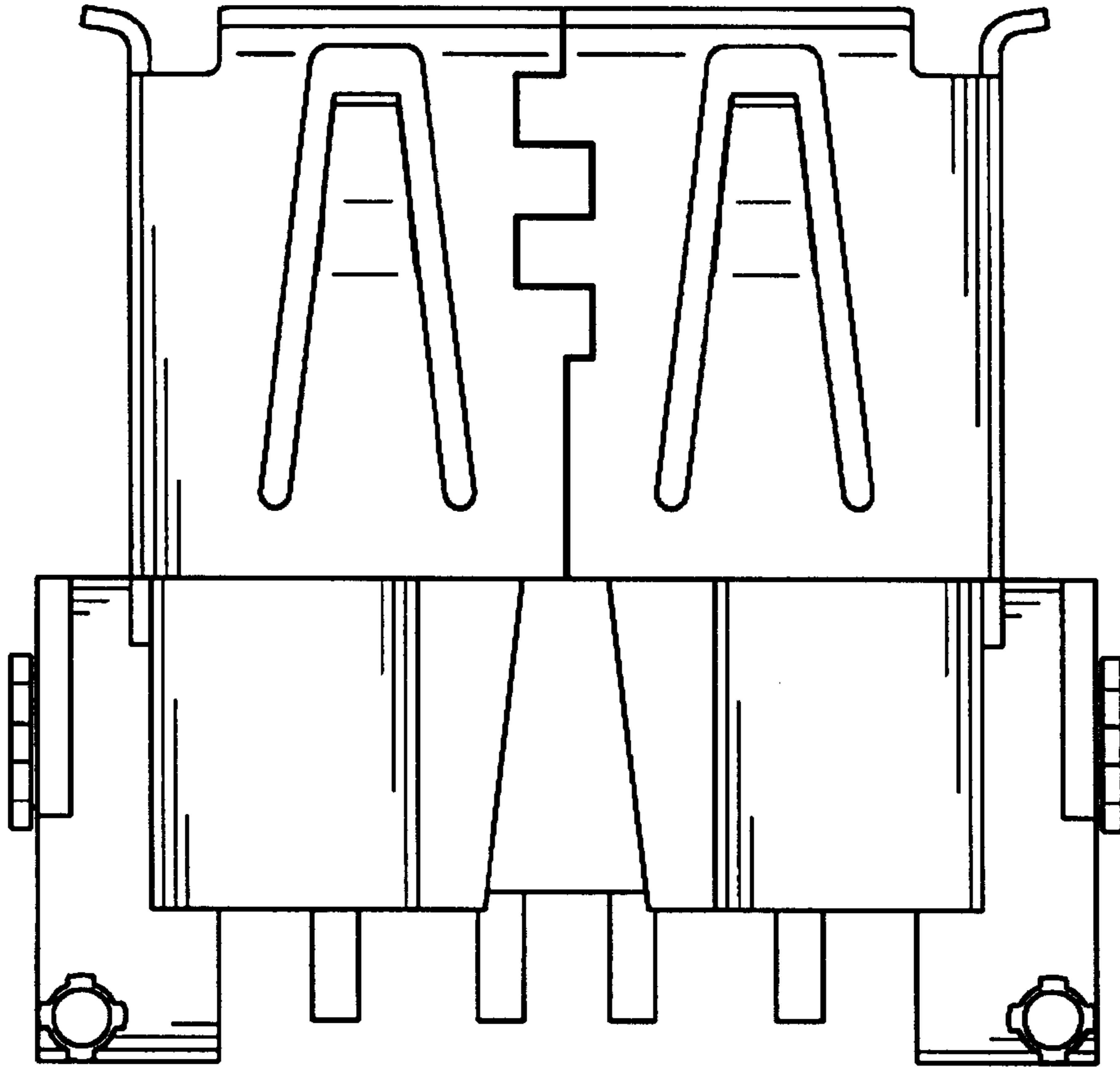


FIG. 7