



US00D446772B1

(12) **United States Design Patent**
Chen et al.

(10) **Patent No.:** **US D446,772 S**

(45) **Date of Patent:** **** Aug. 21, 2001**

(54) **ELECTRICAL CONNECTOR**

(75) Inventors: **Qiang Chen; GuangXing Shi**, both of
KunShan (CN)

(73) Assignee: **Hon Hai Precision Ind. Co., Ltd.**,
Taipei Hsien (TW)

(**) Term: **14 Years**

(21) Appl. No.: **29/130,746**

(22) Filed: **Oct. 6, 2000**

(30) **Foreign Application Priority Data**

Sep. 26, 2000 (TW) 089306430

(51) **LOC (7) Cl.** **13-03**

(52) **U.S. Cl.** **D13/147**

(58) **Field of Search** D13/146, 147;
439/79, 607-610, 108

(56) **References Cited**

U.S. PATENT DOCUMENTS

- D. 345,343 * 3/1994 Nakamura D13/147
- D. 410,227 * 5/1999 Wu et al. D13/147
- D. 410,434 * 6/1999 Wu D13/147

- D. 433,667 * 11/2000 Li et al. D13/147
- 5,266,038 * 11/1993 Nakamura 439/79
- 5,700,164 * 12/1997 Weidler et al. 439/607
- 5,725,386 * 3/1998 Davis et al. 439/79
- 5,975,954 * 11/1999 Wu et al. 439/607
- 6,135,790 * 10/2000 Huang et al. 439/79
- 6,186,830 * 2/2001 Lin et al. 439/607

* cited by examiner

Primary Examiner—Joel Sincavage

(74) *Attorney, Agent, or Firm*—Wei Te Chung

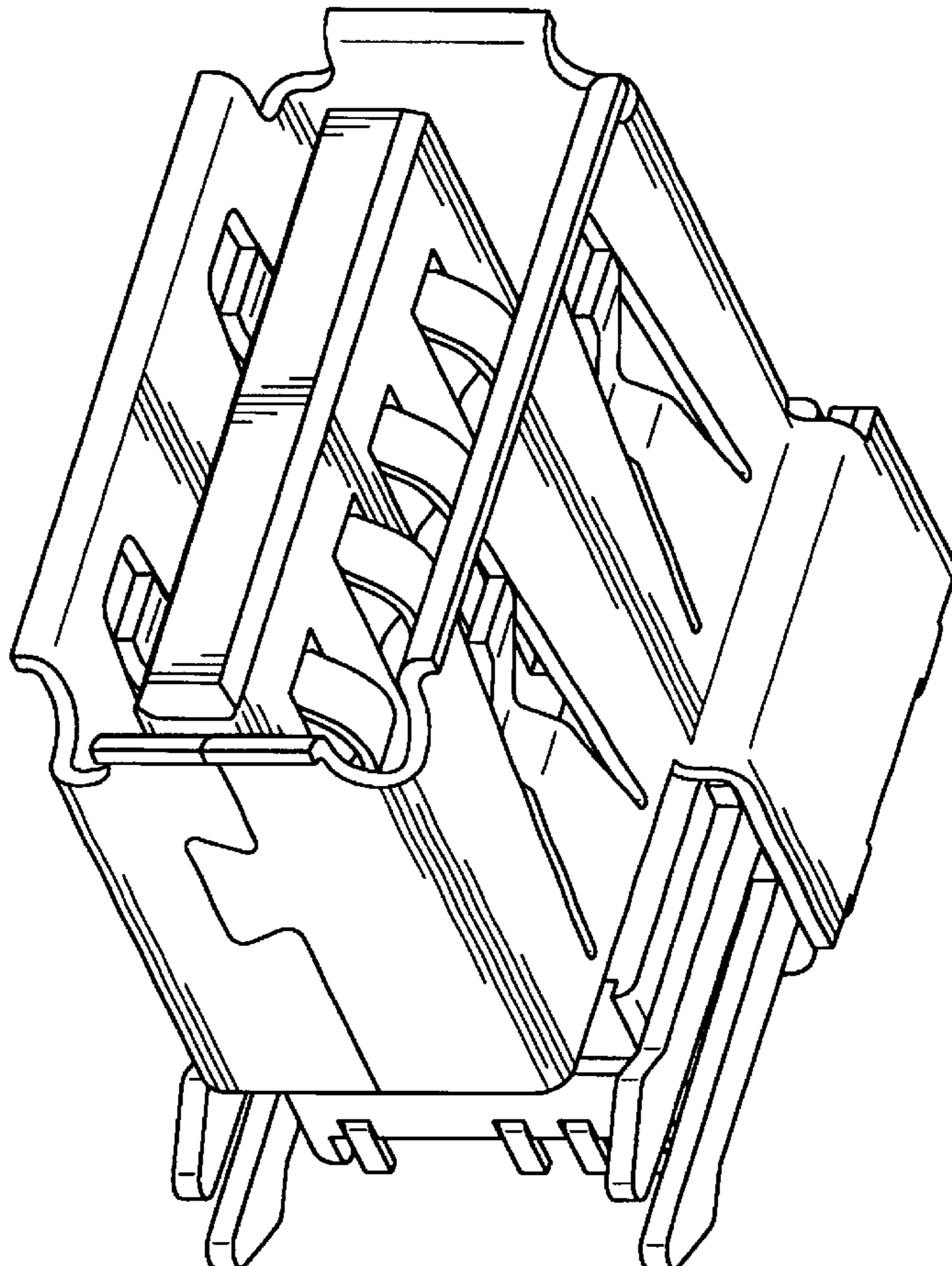
(57) **CLAIM**

The ornamental design for an electrical connector, as shown.

DESCRIPTION

FIG. 1 is a front, bottom and right side perspective view of an electrical connector showing our new design; FIG. 2 is a front elevational view thereof; FIG. 3 is a rear elevational view thereof; FIG. 4 is a left side elevational view thereof; FIG. 5 is a right side elevational view thereof; FIG. 6 is a top plan view thereof; and, FIG. 7 is a bottom plan view thereof.

1 Claim, 7 Drawing Sheets



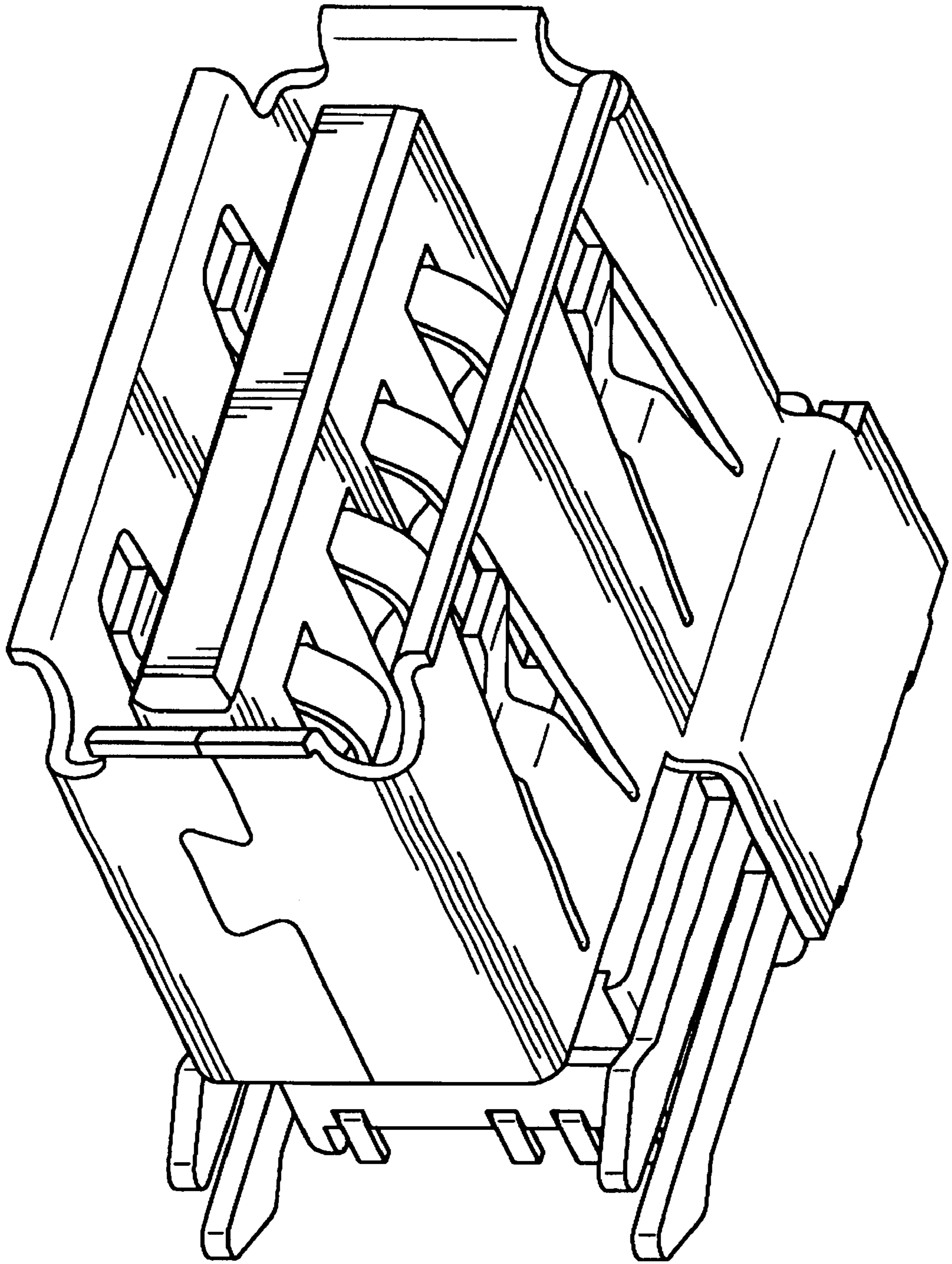


FIG. 1

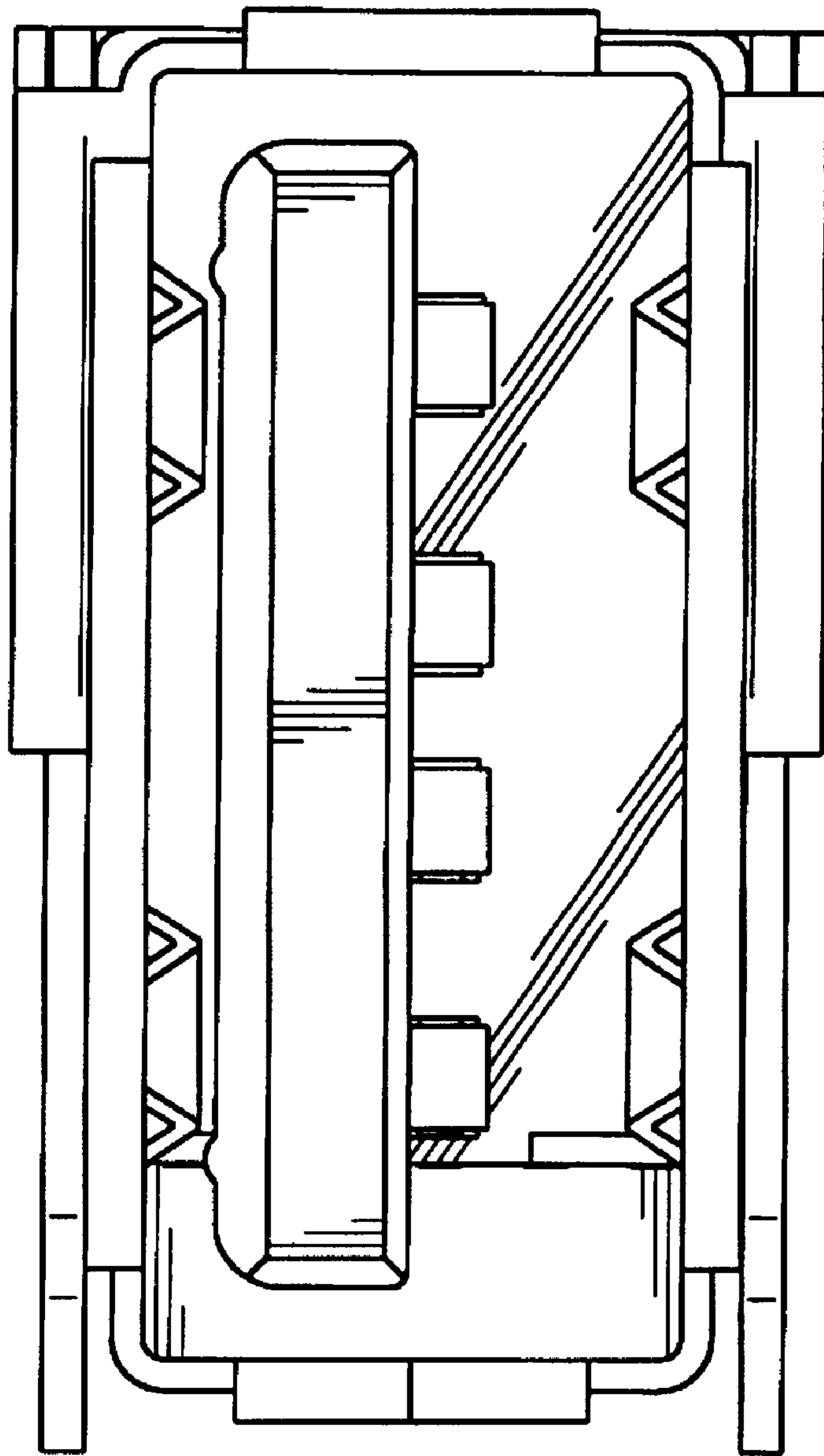


FIG. 2

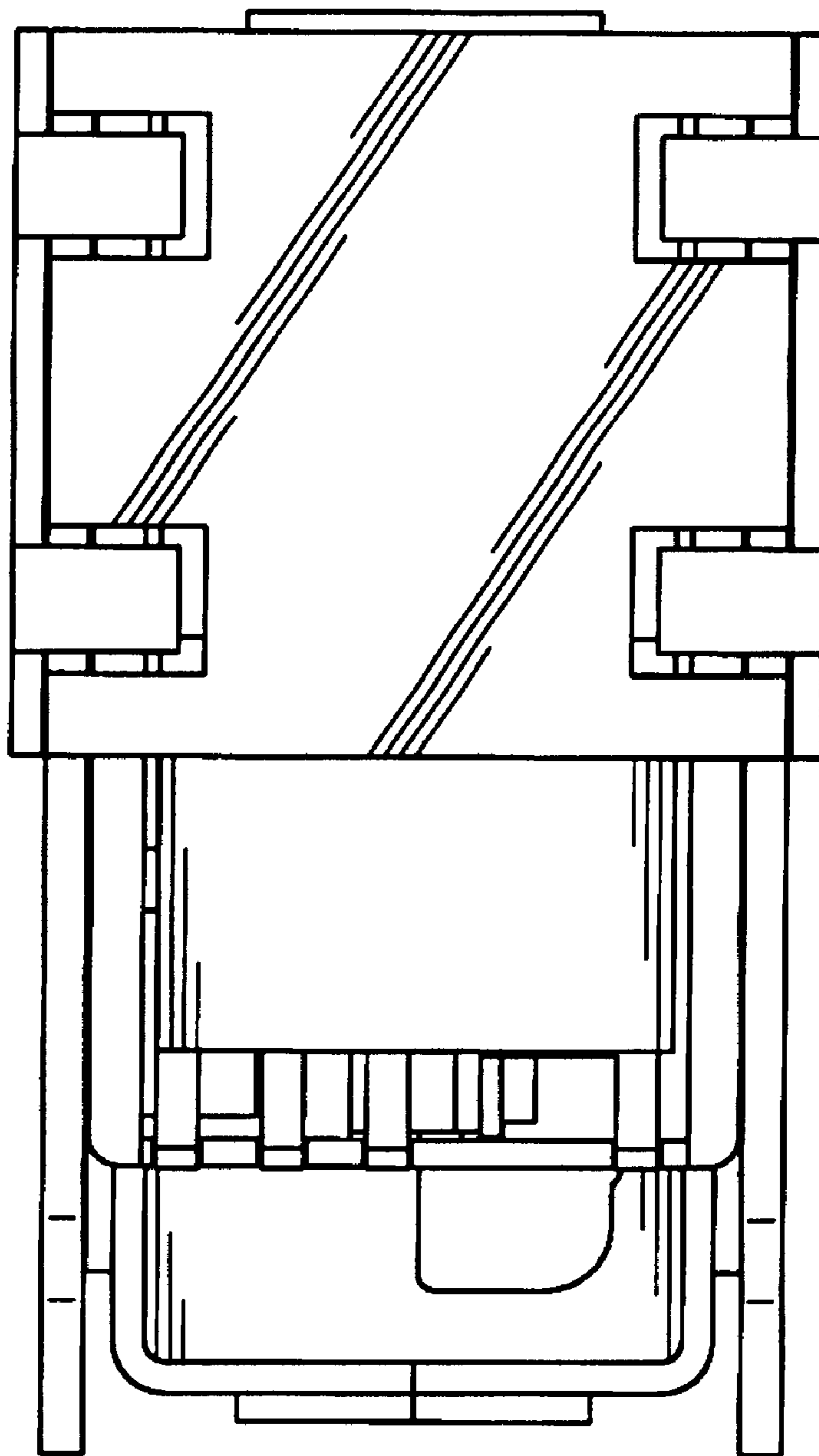


FIG. 3

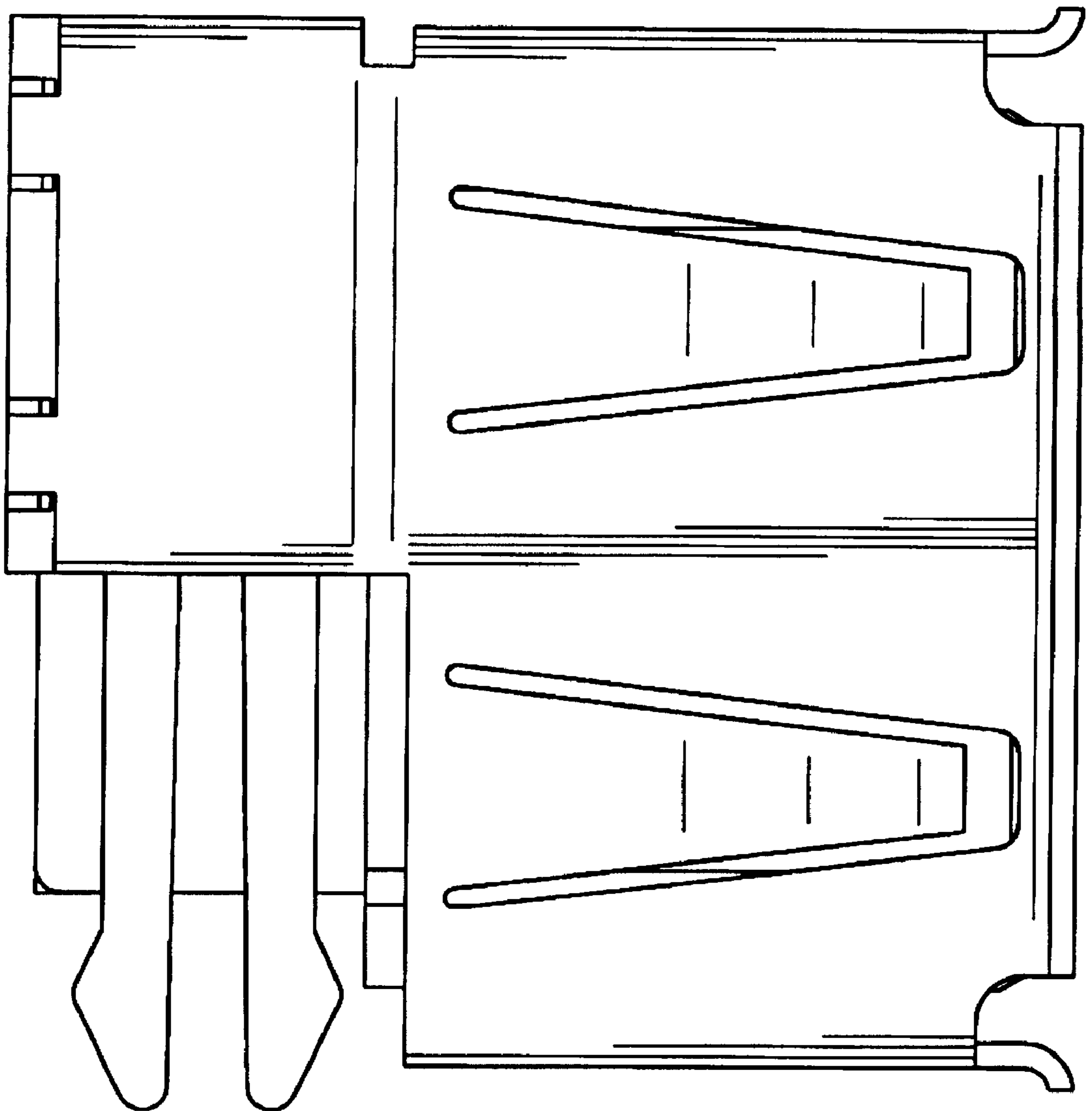


FIG. 4

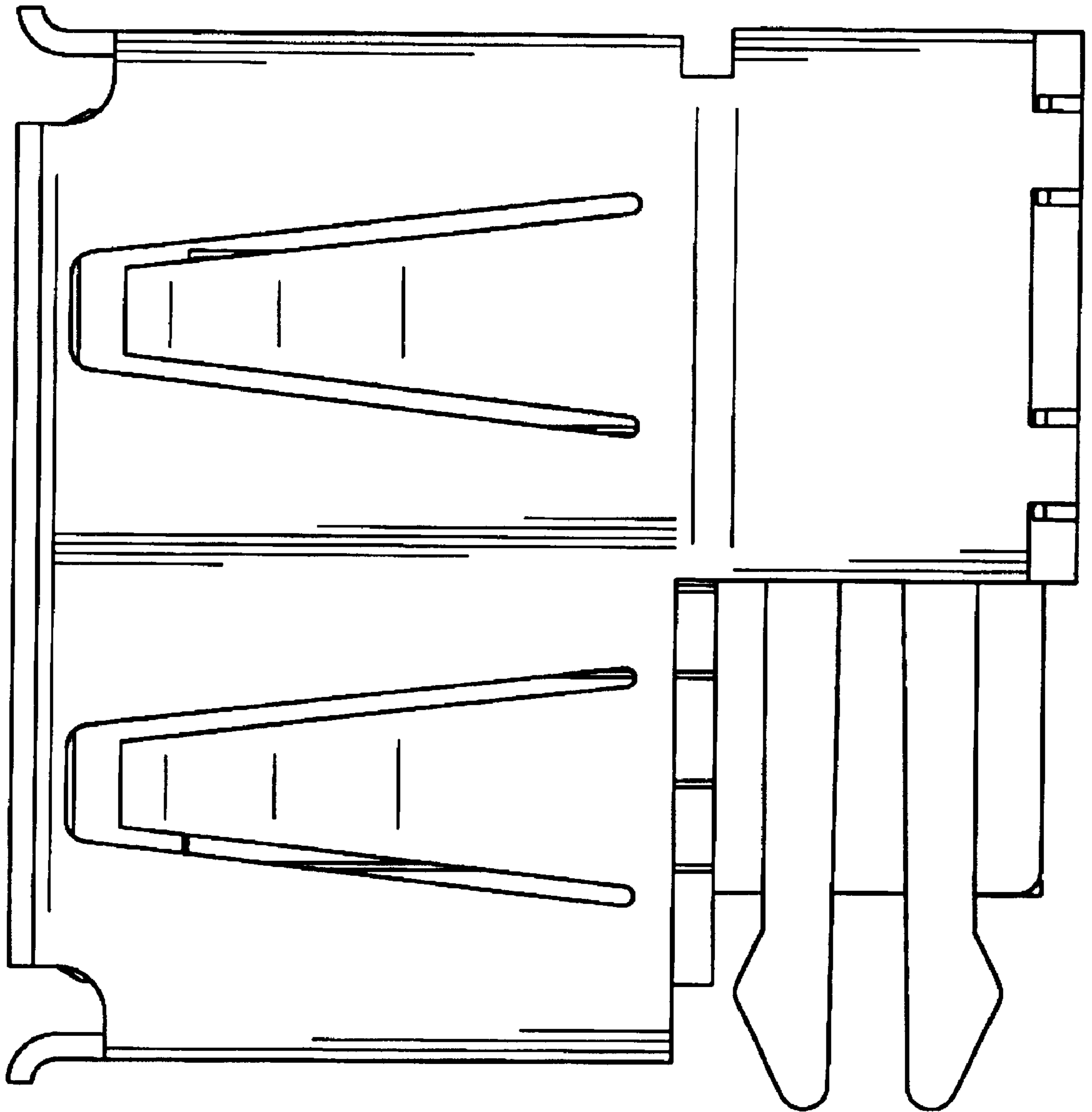


FIG. 5

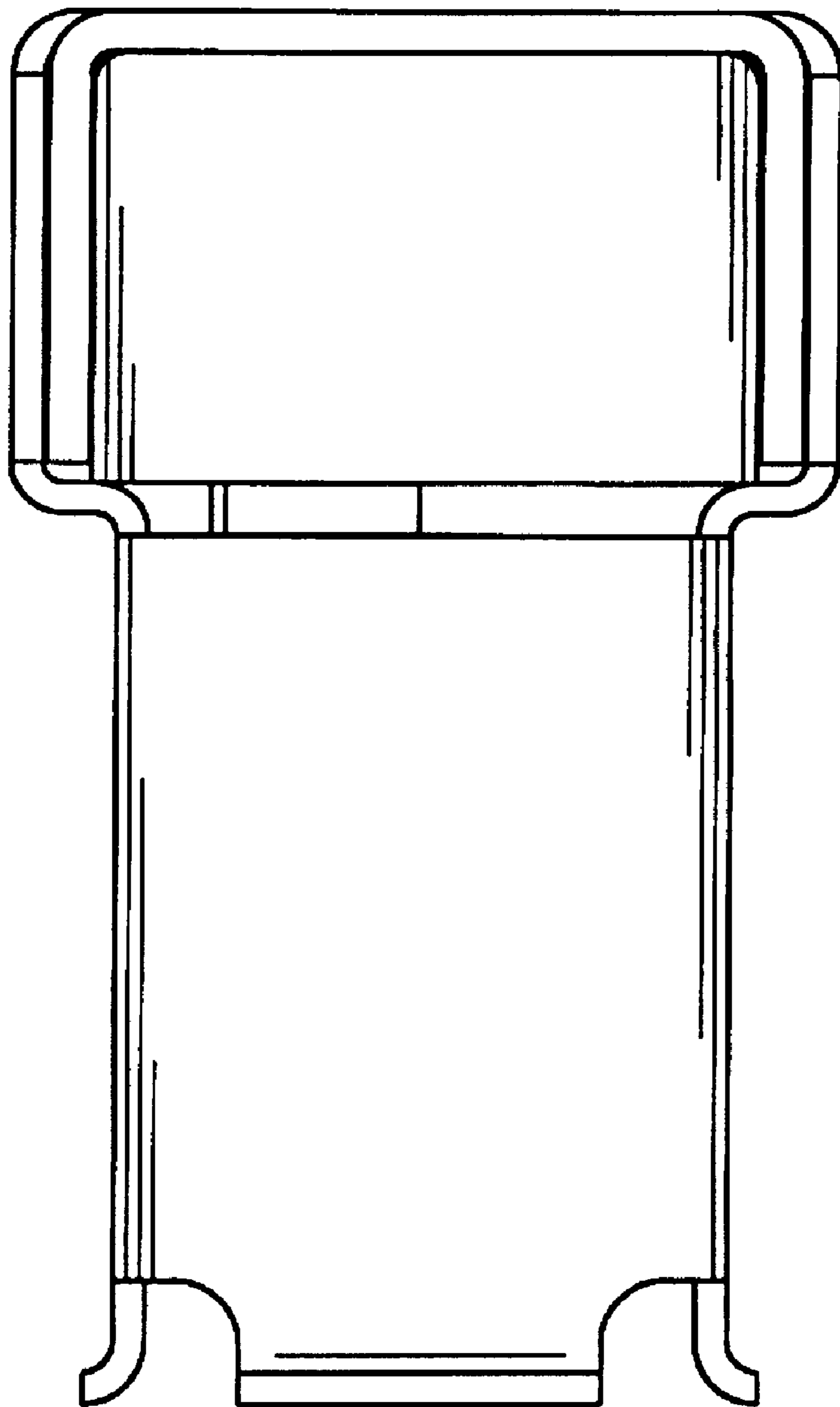


FIG. 6

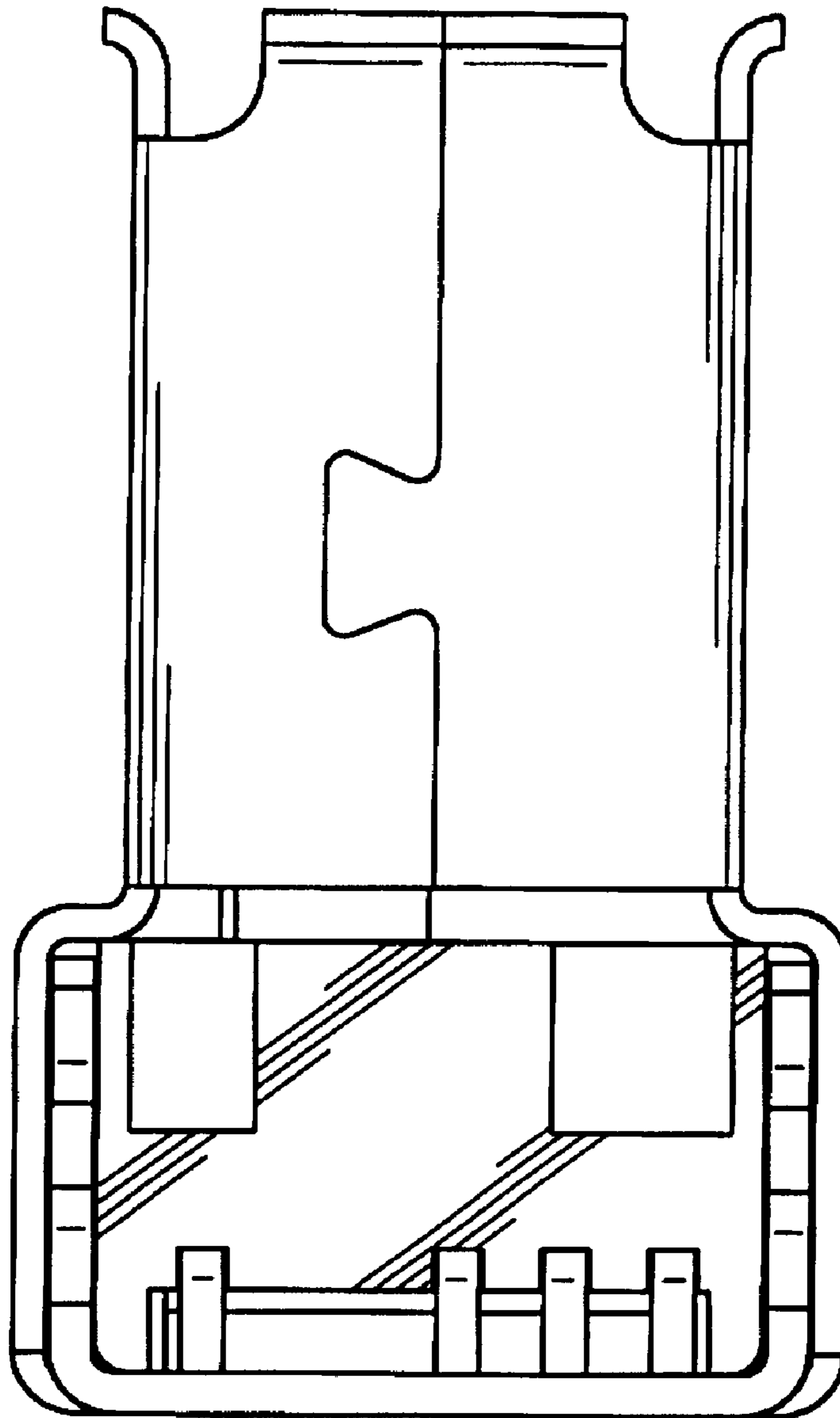


FIG. 7