



US00D446771B1

(12) **United States Design Patent**  
**Bosatelli**

(10) **Patent No.:** **US D446,771 S**

(45) **Date of Patent:** **\*\* Aug. 21, 2001**

(54) **PLUG**  
(75) **Inventor:** **Domenico Bosatelli**, Cenate Sotto (IT)  
(73) **Assignee:** **Gewiss S.P.A.**, Cenate Sotto (IT)  
(\*\*) **Term:** **14 Years**

(21) **Appl. No.:** **29/113,845**  
(22) **Filed:** **Nov. 12, 1999**

(30) **Foreign Application Priority Data**

May 11, 1999 (IT) ..... MI9900270

(51) **LOC (7) Cl.** ..... **13-03**  
(52) **U.S. Cl.** ..... **D13/146**  
(58) **Field of Search** ..... D13/146, 147,  
D13/156, 154; 439/314, 318, 680, 677,  
695

(56) **References Cited**

**U.S. PATENT DOCUMENTS**

D. 367,644 \* 3/1996 Fukao et al. .... D13/146  
D. 374,212 \* 10/1996 Fukao et al. .... D13/146  
4,770,644 \* 9/1988 Feder ..... 439/166

5,505,632 \* 4/1996 Hayashi et al. .... 439/318  
5,627,448 \* 5/1997 Okada et al. .... 439/314 X  
5,662,488 \* 9/1997 Alden ..... 439/314

\* cited by examiner

*Primary Examiner*—Joel Sincavage

(74) *Attorney, Agent, or Firm*—R. Neil Sudol; Henry D. Coleman; William J. Sapone

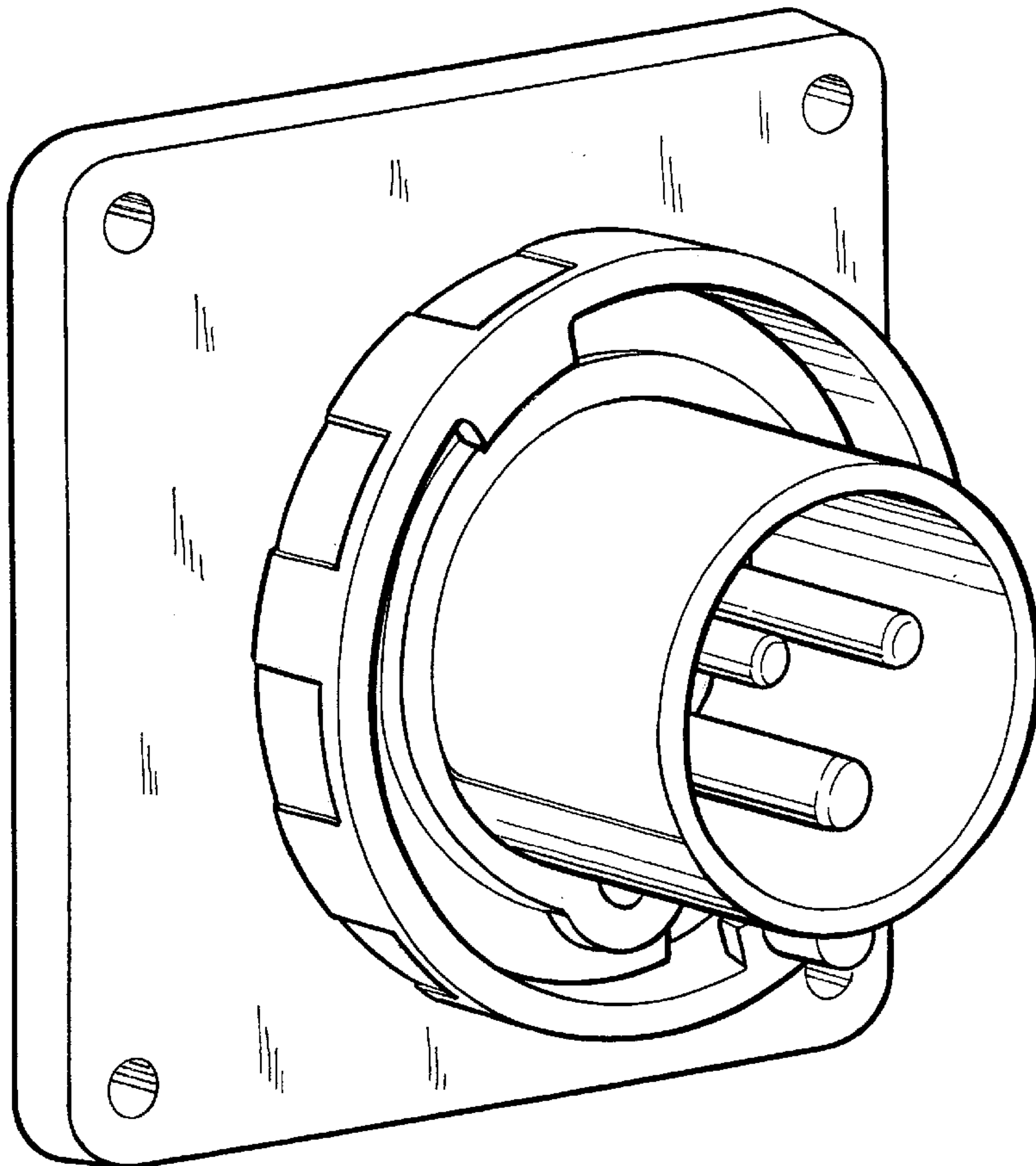
(57) **CLAIM**

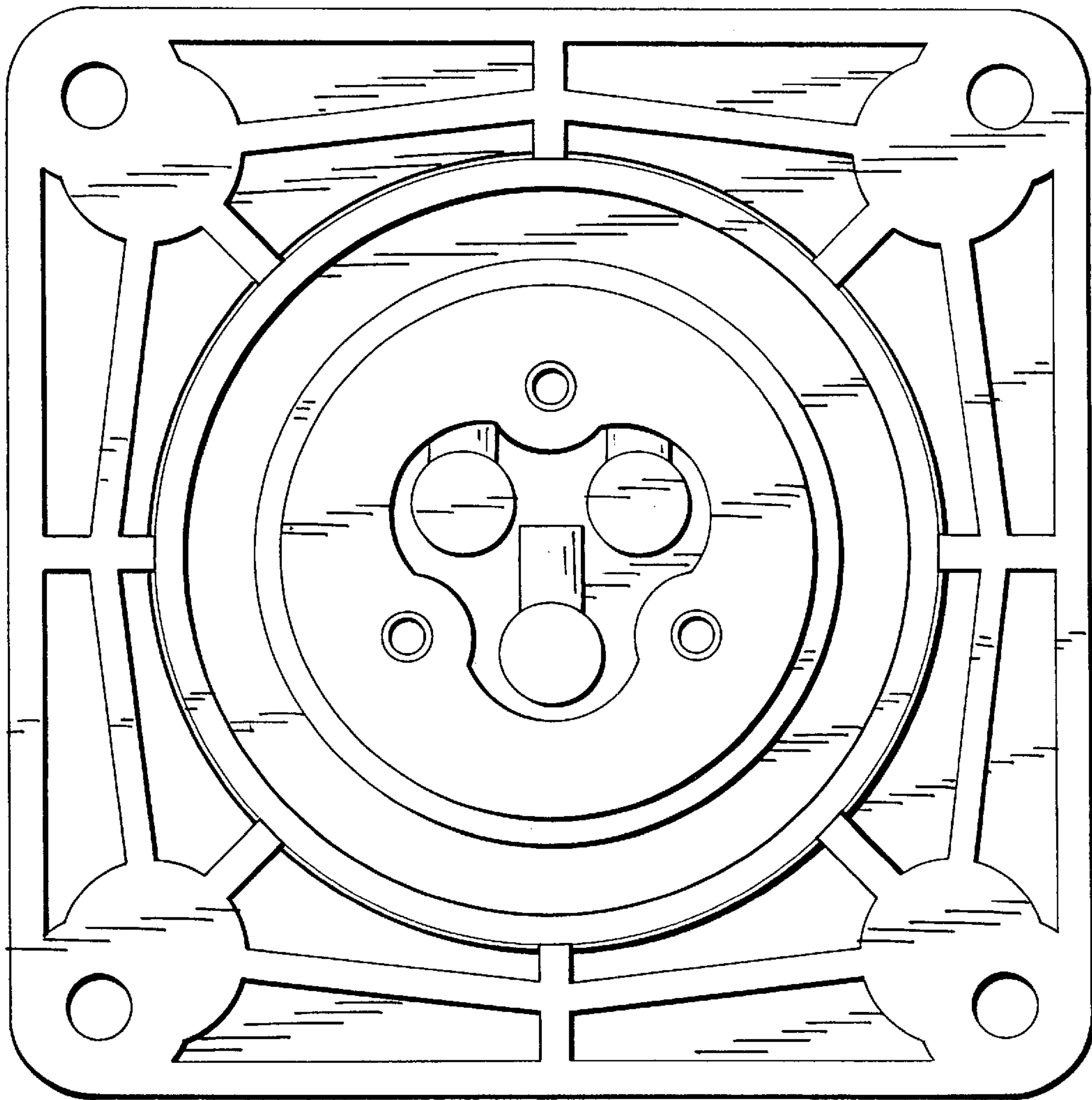
The ornamental design for the plug, as shown and described.

**DESCRIPTION**

FIG. 1 is a rear elevational view of a plug, showing my new design;  
FIG. 2 is a bottom plan view thereof;  
FIG. 3 is a right side elevational view thereof;  
FIG. 4 is a left side elevational view thereof;  
FIG. 5 is a top plan view thereof;  
FIG. 6 is a front elevational view thereof;  
FIG. 7 is a top, rear, and right side perspective view thereof;  
and,  
FIG. 8 is a top, front, and left side perspective view thereof.

**1 Claim, 8 Drawing Sheets**





*Fig. 1*

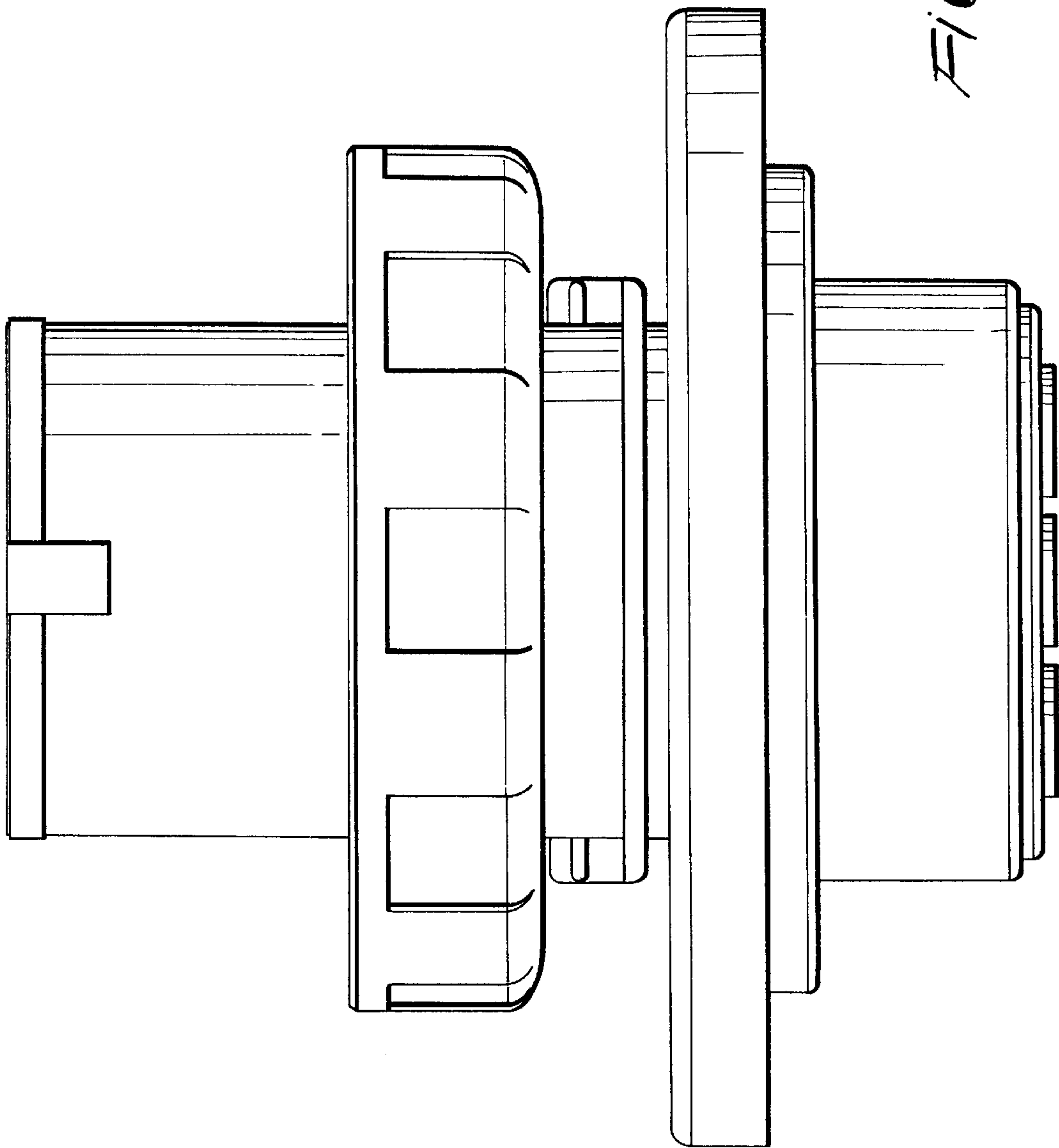
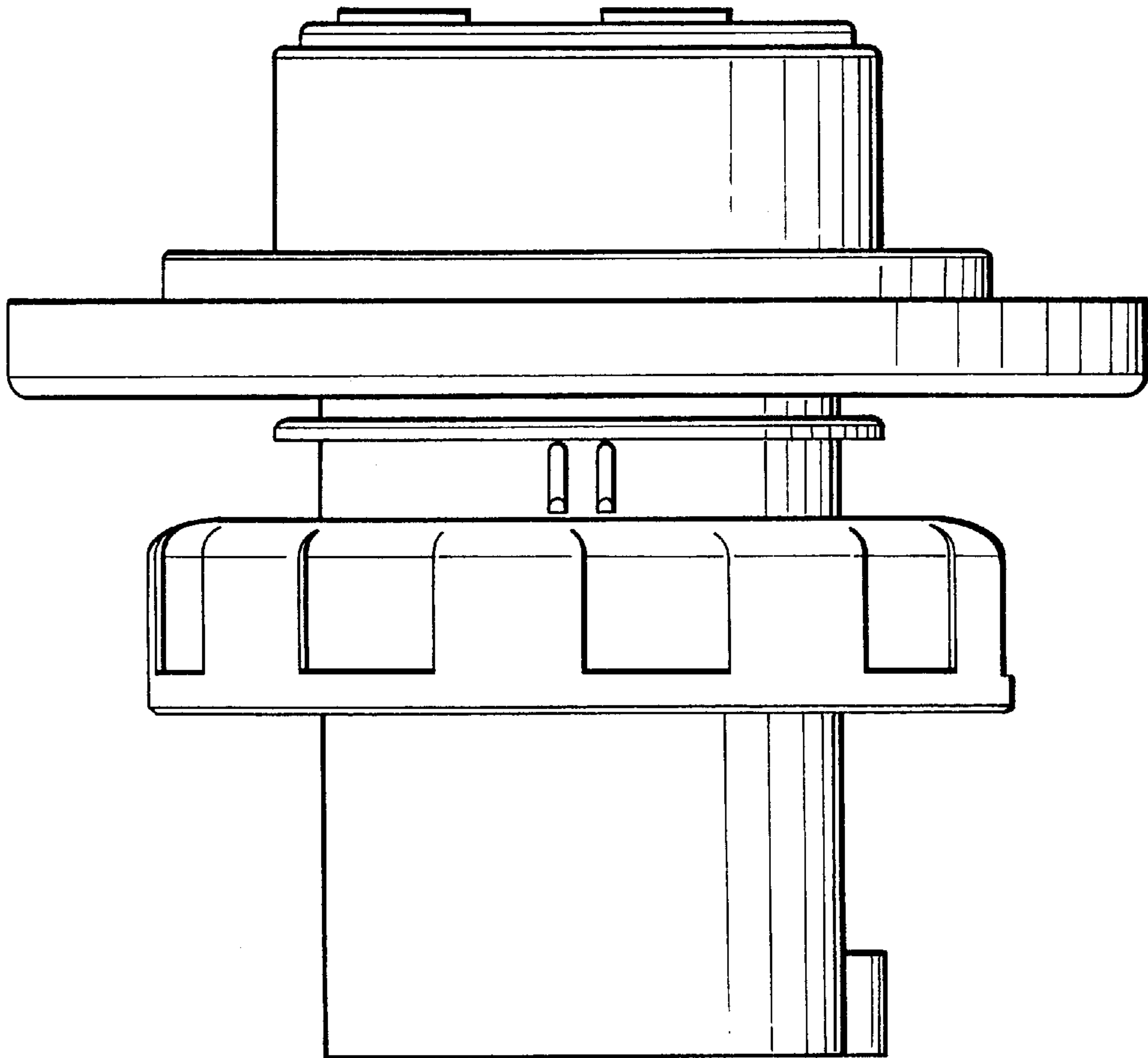
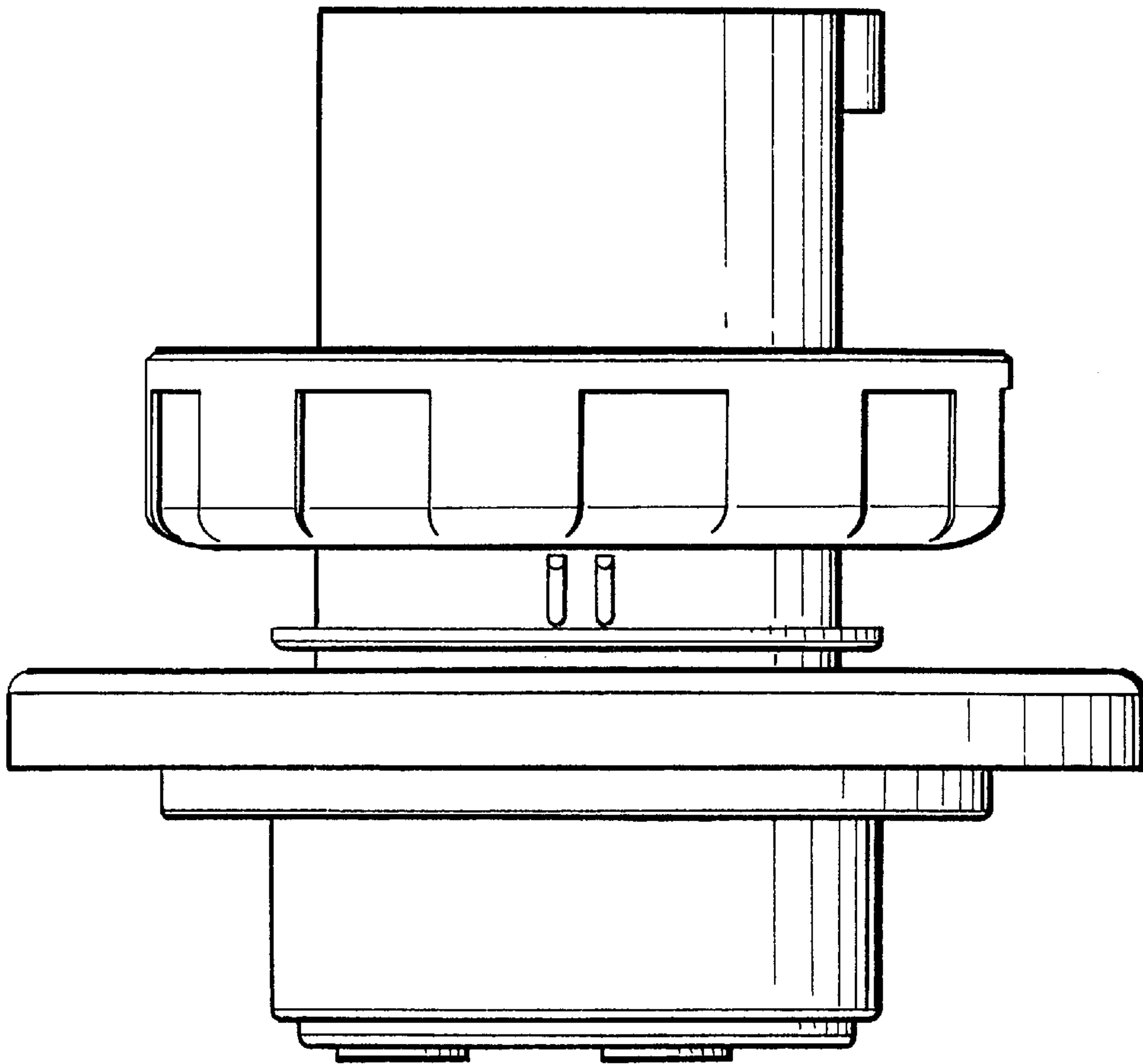


FIG. 2



*Fig. 3*



*FIG. 4*

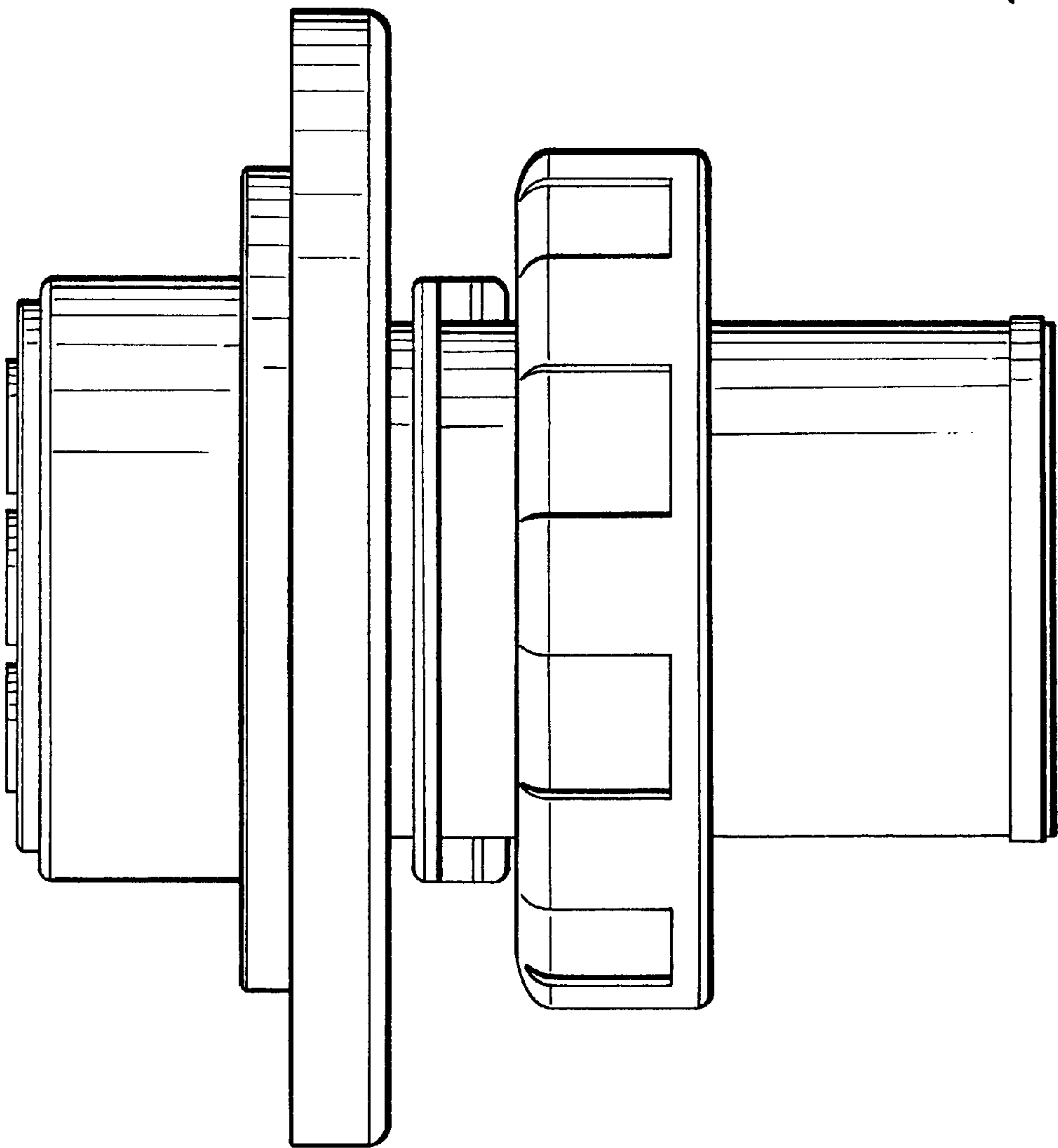
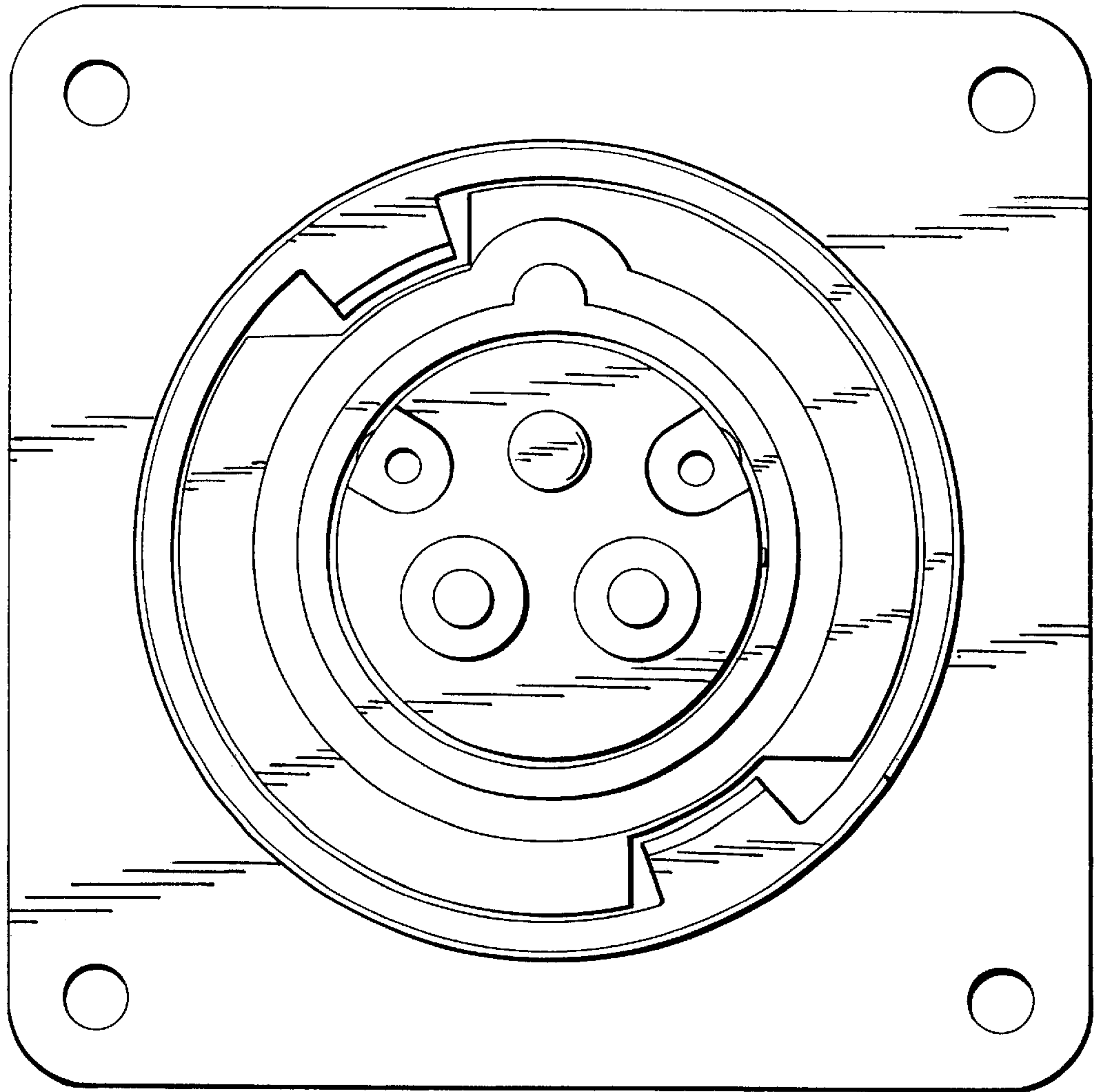


FIG. 5



*FIG. 6*



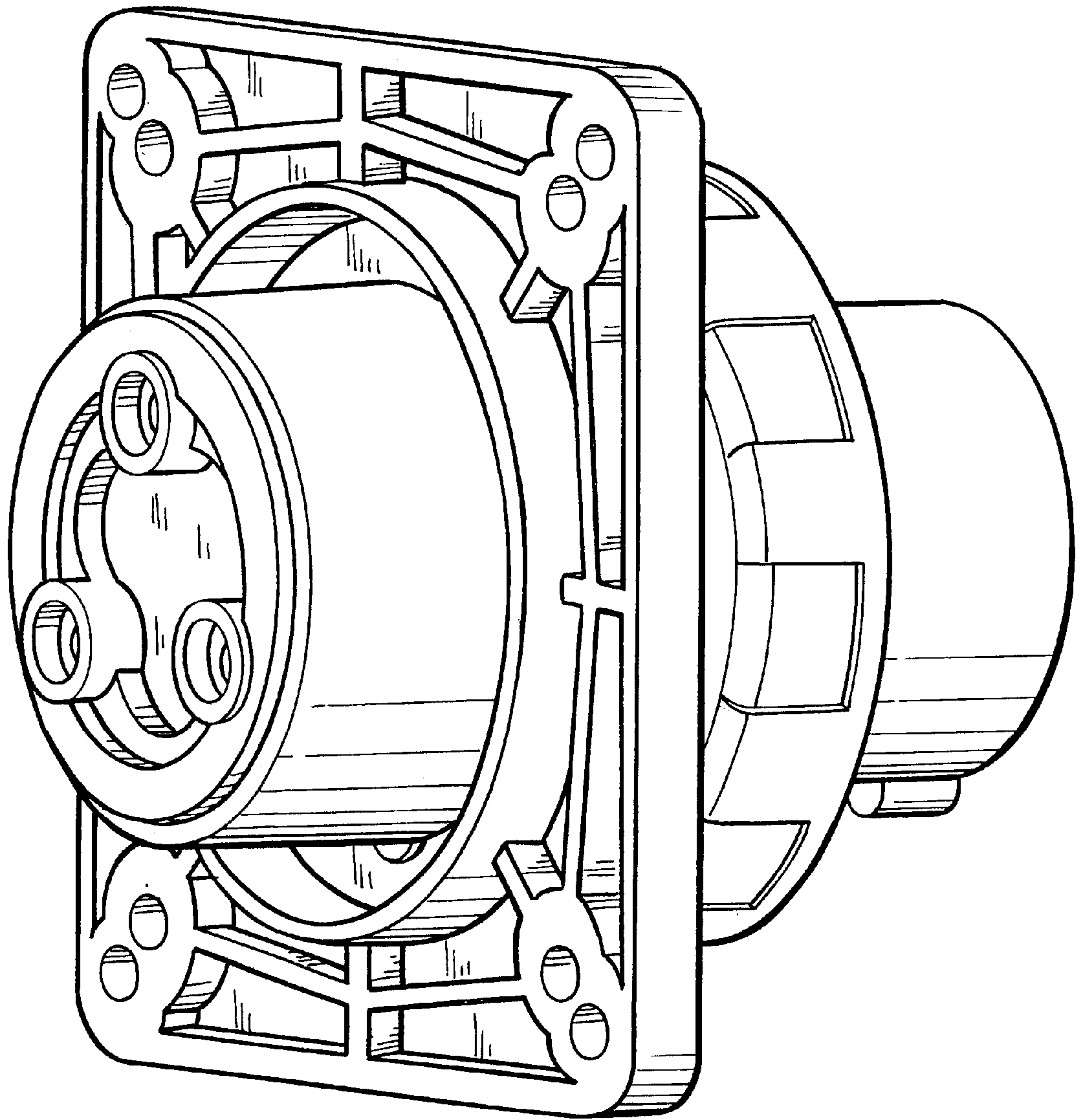


FIG. 7



FIG. 8

