



US00D446769B1

(12) **United States Design Patent**
Stockhaus et al.

(10) **Patent No.:** **US D446,769 S**

(45) **Date of Patent:** **** Aug. 21, 2001**

(54) **PROCESS PLUG**

5,704,797 * 1/1998 Meyerhoefer et al. 439/188
5,757,997 * 5/1998 Birrell et al. 385/60

(75) Inventors: **Andreas Stockhaus; Frank Meyer-Gueldner**, both of Berlin (DE)

* cited by examiner

(73) Assignee: **Infineon Technologies AG**, Munich (DE)

Primary Examiner—Joel Sincavage
(74) *Attorney, Agent, or Firm*—Herbert L. Lerner; Laurence A. Greenberg; Werner H. Stemer

(**) Term: **14 Years**

(57) **CLAIM**

(21) Appl. No.: **29/119,775**

The ornamental design for the process plug, as shown and described.

(22) Filed: **Mar. 3, 2000**

(30) **Foreign Application Priority Data**

DESCRIPTION

Sep. 3, 1999 (DE) 499 08 477

FIG. 1 is a front, top, perspective view of a process plug showing our new design;

(51) **LOC (7) Cl.** **13-03**

FIG. 2 is a rear, top, perspective view thereof;

(52) **U.S. Cl.** **D13/133**

FIG. 3 is rear, bottom perspective view thereof;

(58) **Field of Search** D13/133; 385/55, 385/56, 59, 60, 76, 77, 78, 139; 359/152

FIG. 4 is a front, bottom, perspective view thereof;

FIG. 5 is a exploded, front, bottom, perspective view thereof; and,

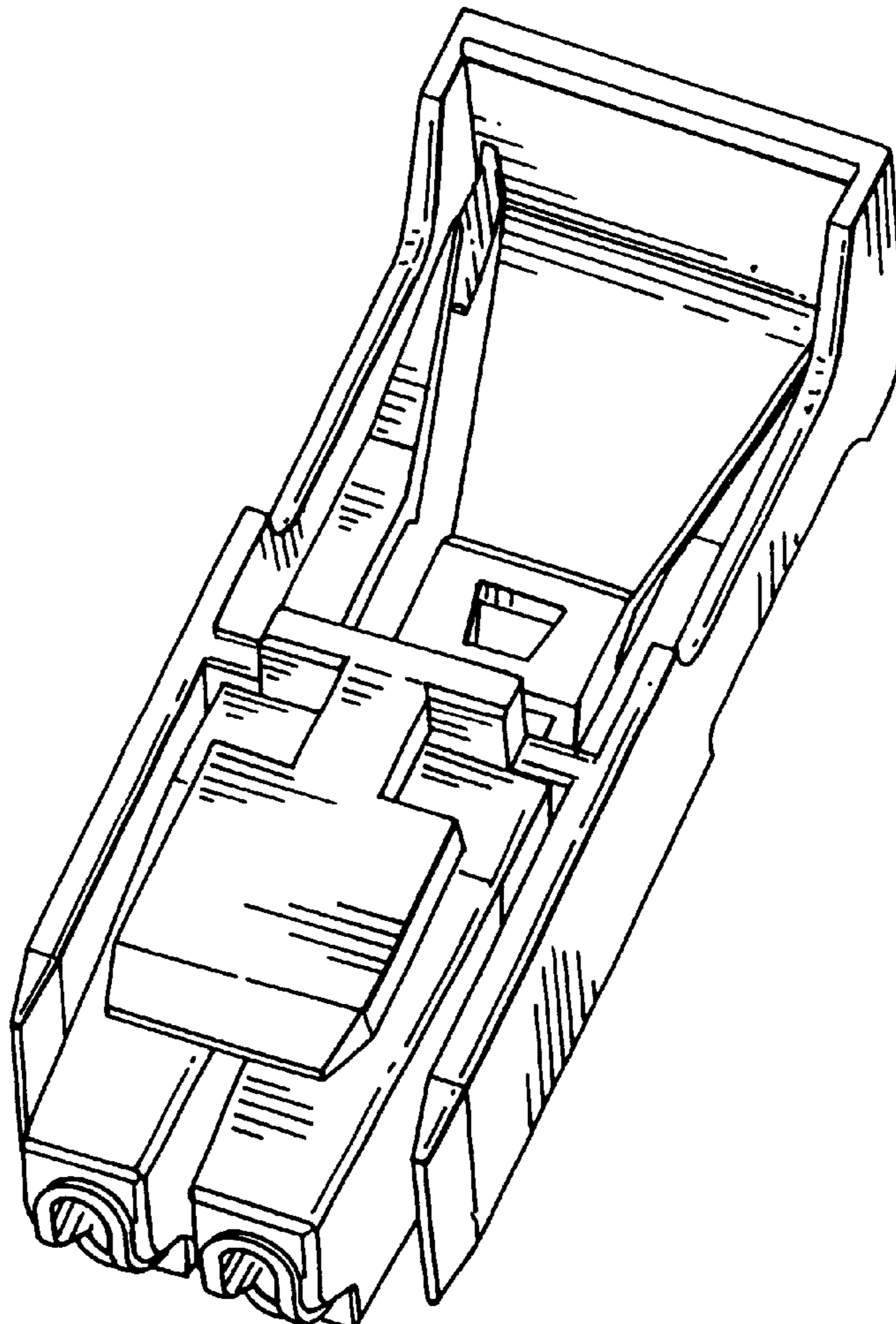
(56) **References Cited**

FIG. 6 is an exploded, rear, bottom, perspective view thereof.

U.S. PATENT DOCUMENTS

5,675,682 * 10/1997 Marchi 385/77

1 Claim, 6 Drawing Sheets



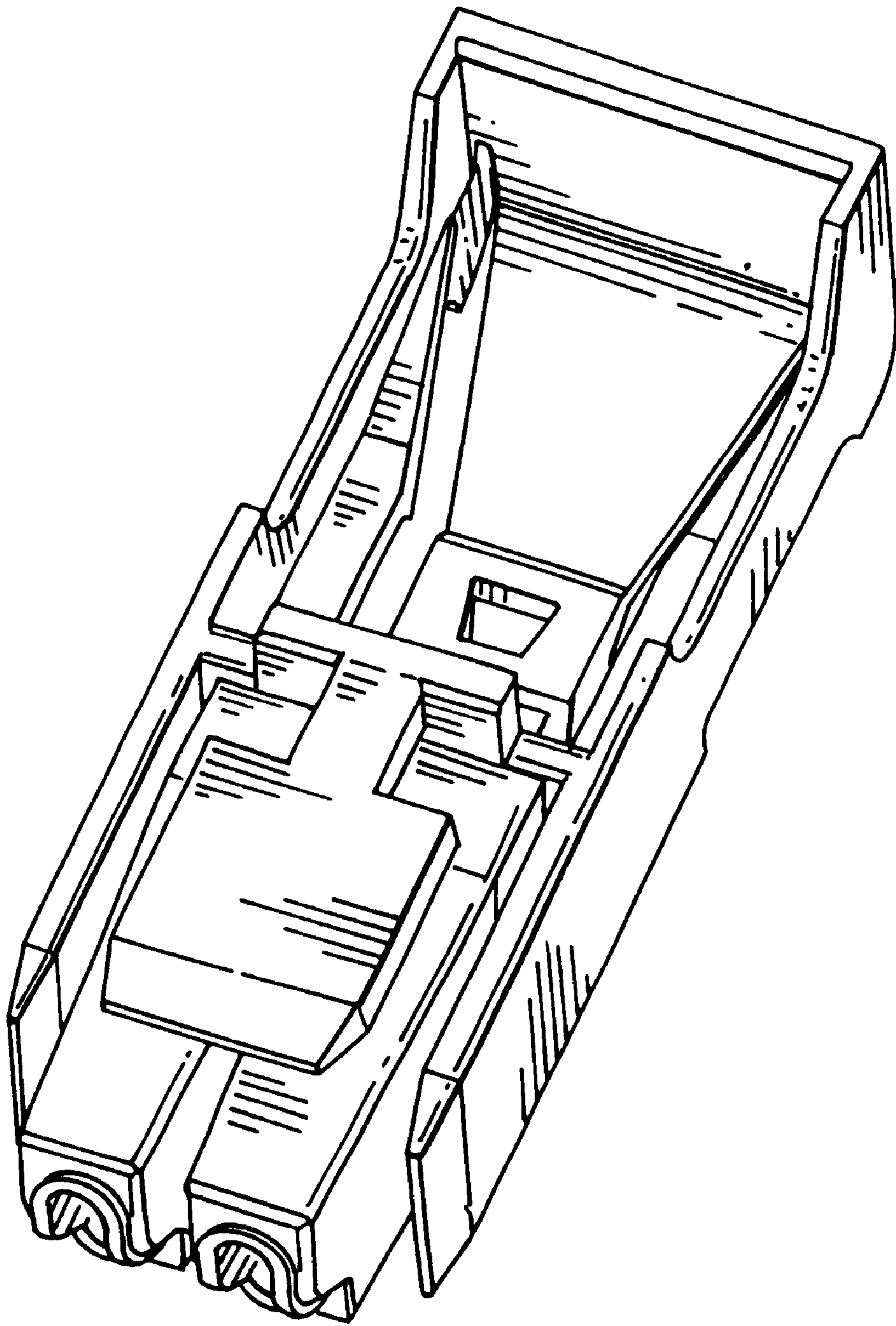


Fig. 1

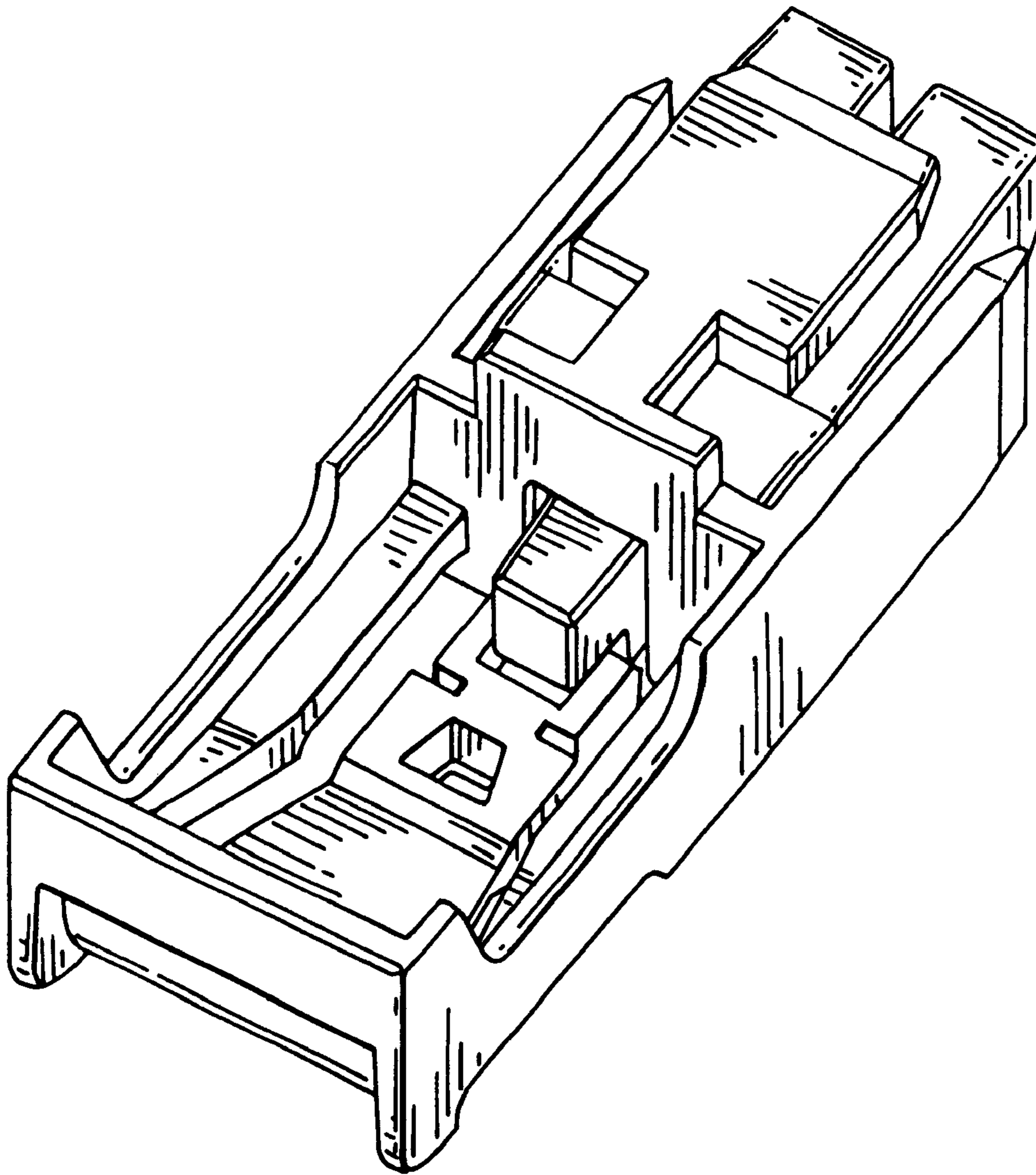


Fig. 2

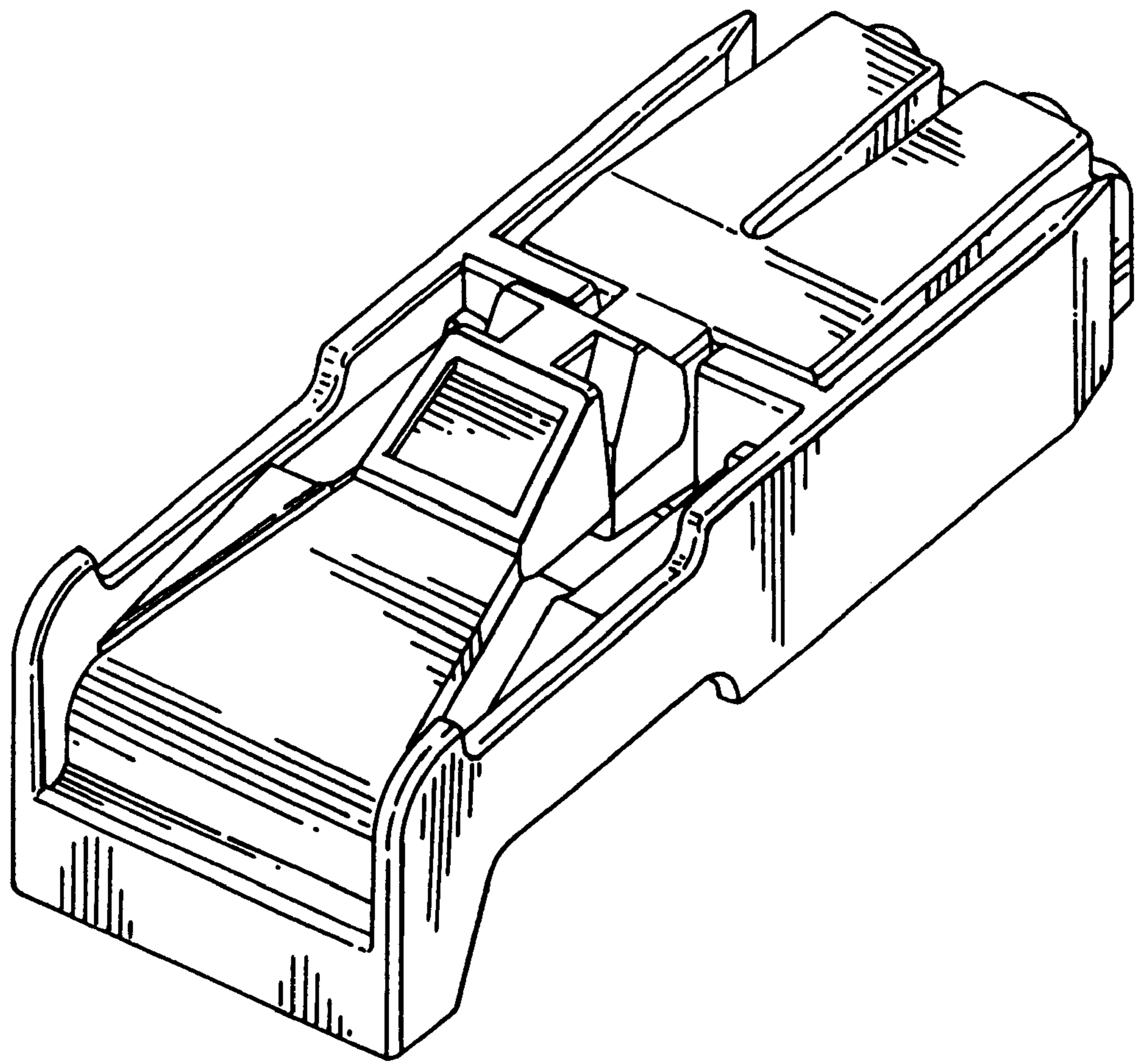


Fig. 3

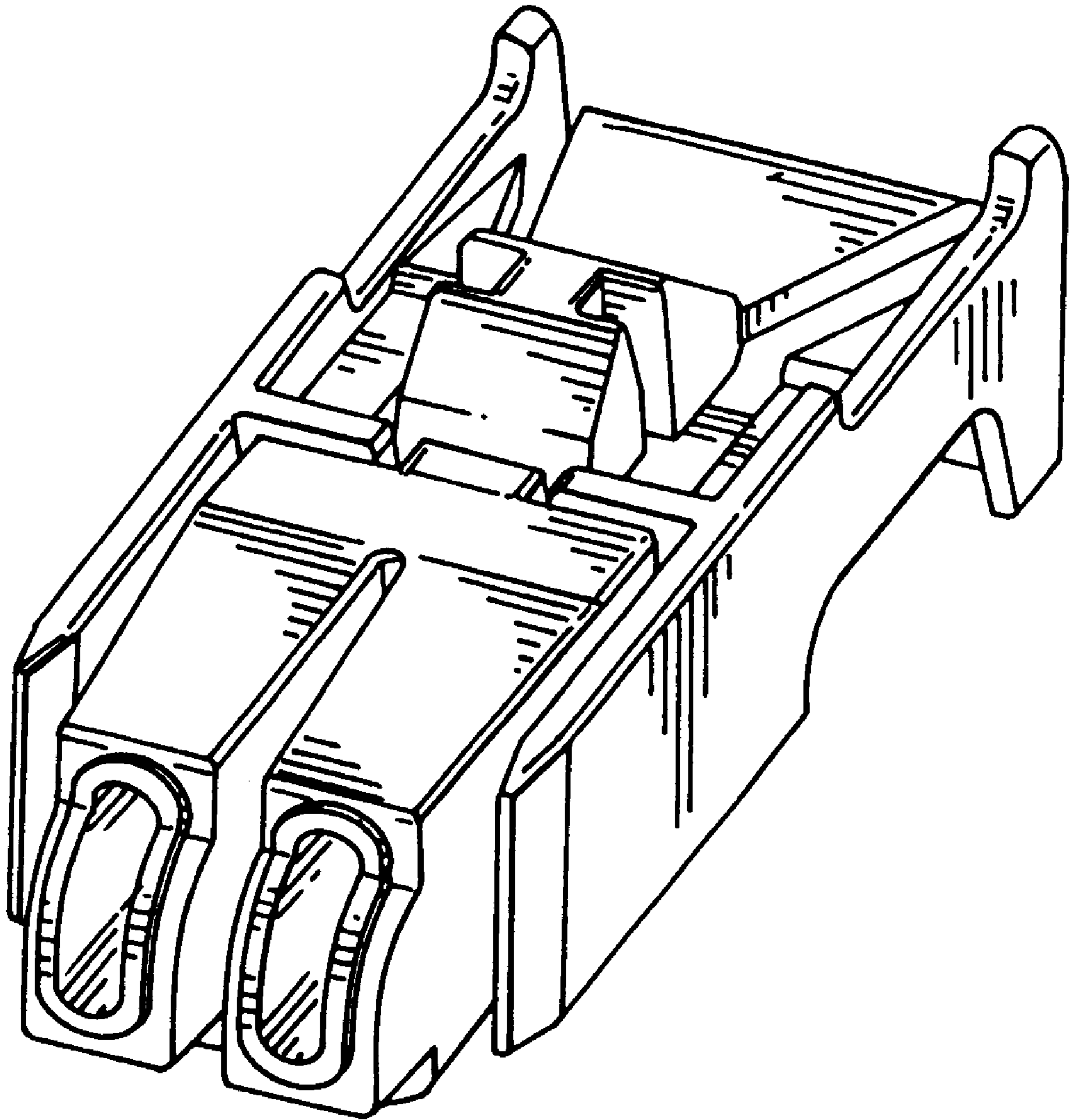


Fig. 4

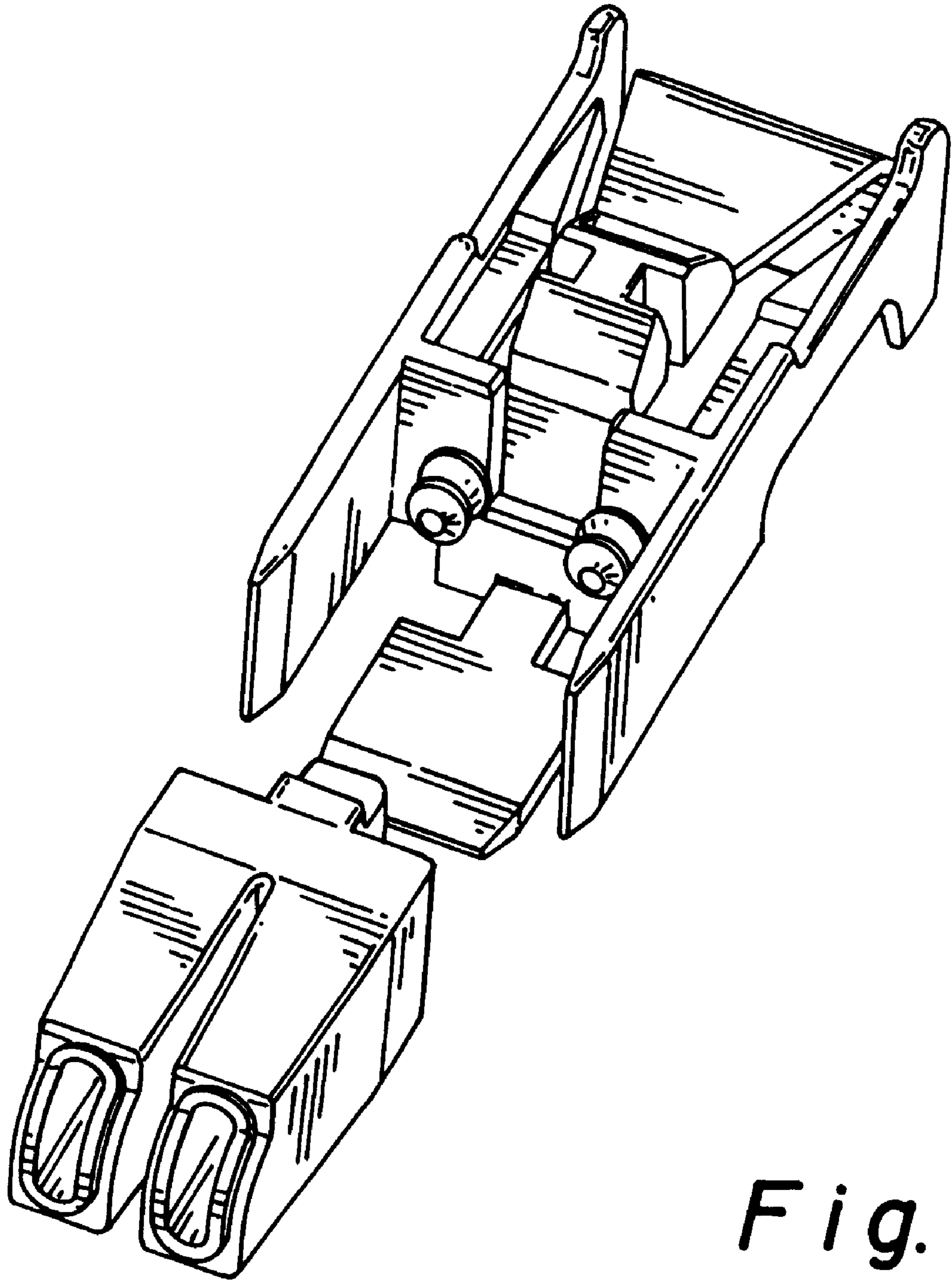


Fig. 5

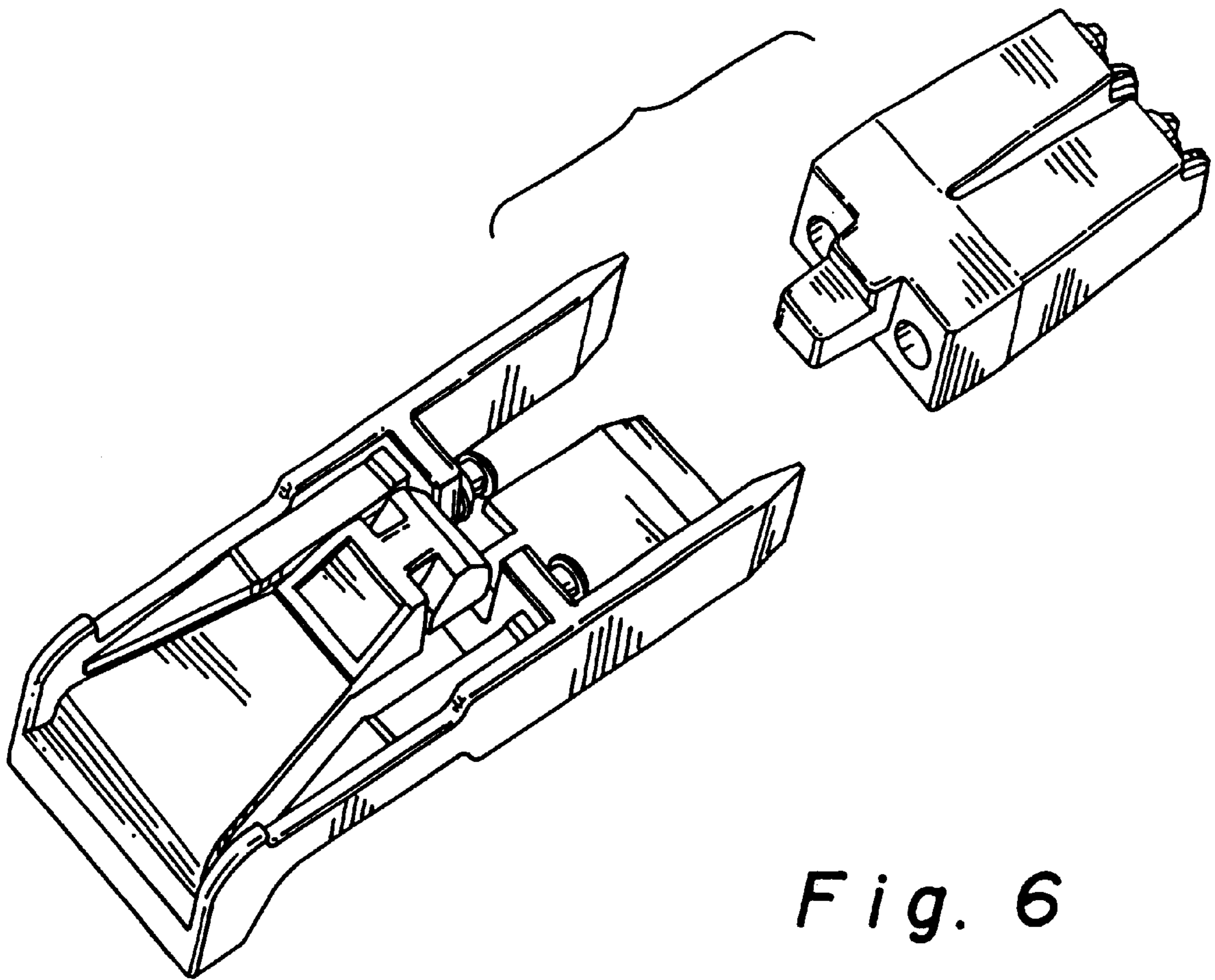


Fig. 6