



US00D446768B1

(12) **United States Design Patent**  
**Parsons**

(10) **Patent No.:** **US D446,768 S**

(45) **Date of Patent:** **\*\* Aug. 21, 2001**

(54) **FLASHLIGHT RECHARGER**

4,086,523 \* 4/1978 Izumi ..... 320/111  
6,179,431 \* 1/2001 Chien ..... 362/84

(75) Inventor: **Kevin L. Parsons**, Appleton, WI (US)

\* cited by examiner

(73) Assignee: **Armament Systems and Procedures, Inc.**, Appleton, WI (US)

*Primary Examiner*—Joel Sincavage

(\*\*) Term: **14 Years**

(74) *Attorney, Agent, or Firm*—McDonnell Boehnen Hulbert & Berghoff

(21) Appl. No.: **29/125,600**

(57) **CLAIM**

(22) Filed: **Jun. 27, 2000**

The ornamental design for a flashlight recharger, as shown and described.

(51) **LOC (7) Cl.** ..... **13-02**

**DESCRIPTION**

(52) **U.S. Cl.** ..... **D13/107**

(58) **Field of Search** ..... D13/107, 108;  
320/107–115

FIG. 1 is a perspective view of the flashlight recharger; FIG. 2 is a top view of the flashlight recharger; FIG. 3 is a left side view of the flashlight recharger, the right side view being a mirror image thereof; FIG. 4 is a bottom view of the flashlight recharger; FIG. 5 is a front view of the flashlight recharger; and, FIG. 6 is a back view of the flashlight recharger.

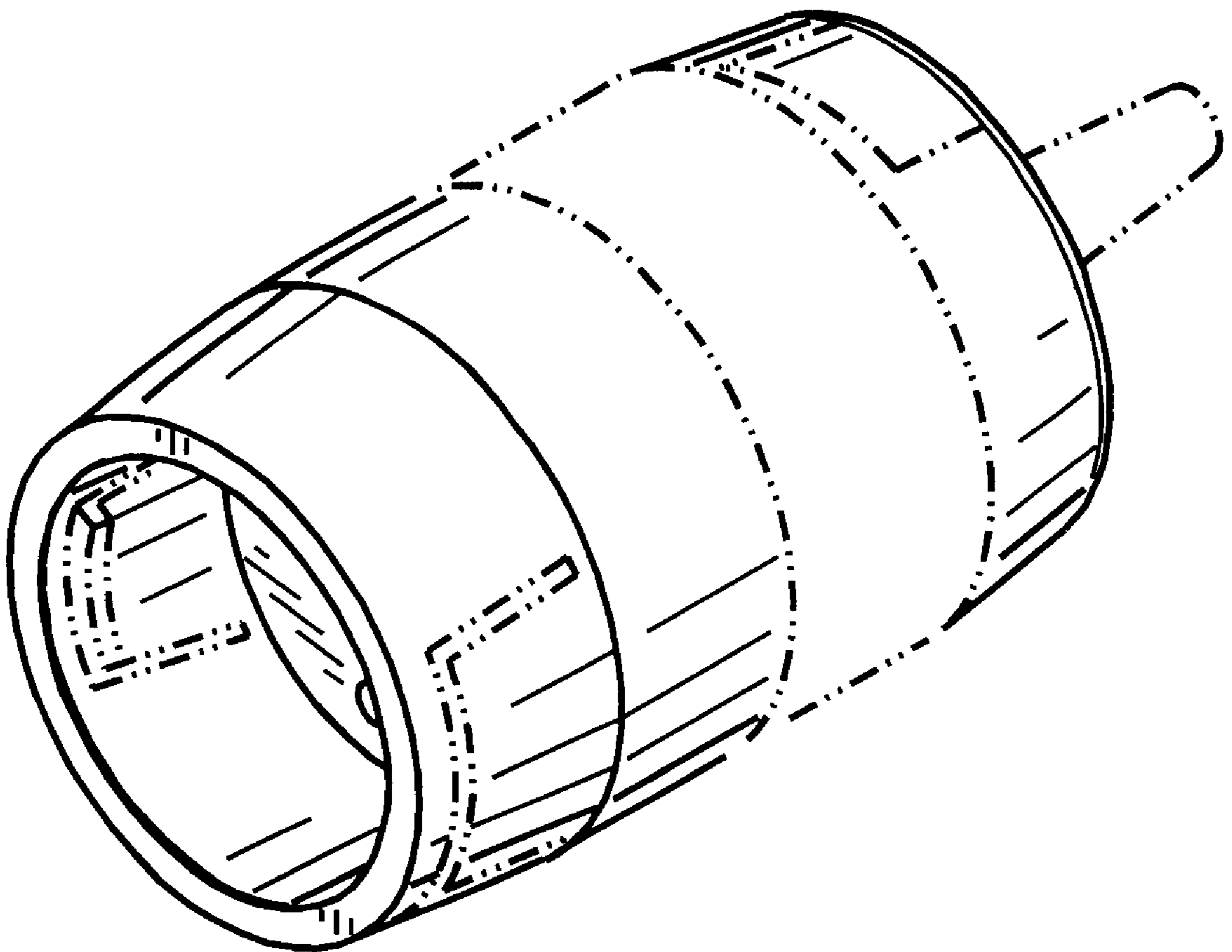
(56) **References Cited**

**U.S. PATENT DOCUMENTS**

D. 297,828	9/1988	Bromley .	
D. 298,748	11/1988	Sharrah et al. .	
D. 334,379	3/1993	Sharrah et al. .	
D. 351,675	10/1994	Sharrah et al. .	
D. 428,596	* 7/2000	Birkestrand .....	D13/107
D. 429,482	* 8/2000	Hussaini et al. ....	D13/107
4,044,245	* 8/1977	Mabuchi .....	362/92

The broken line showings of the flashlight recharger are for illustrative purposes only and form no part of the claimed design.

**1 Claim, 1 Drawing Sheet**



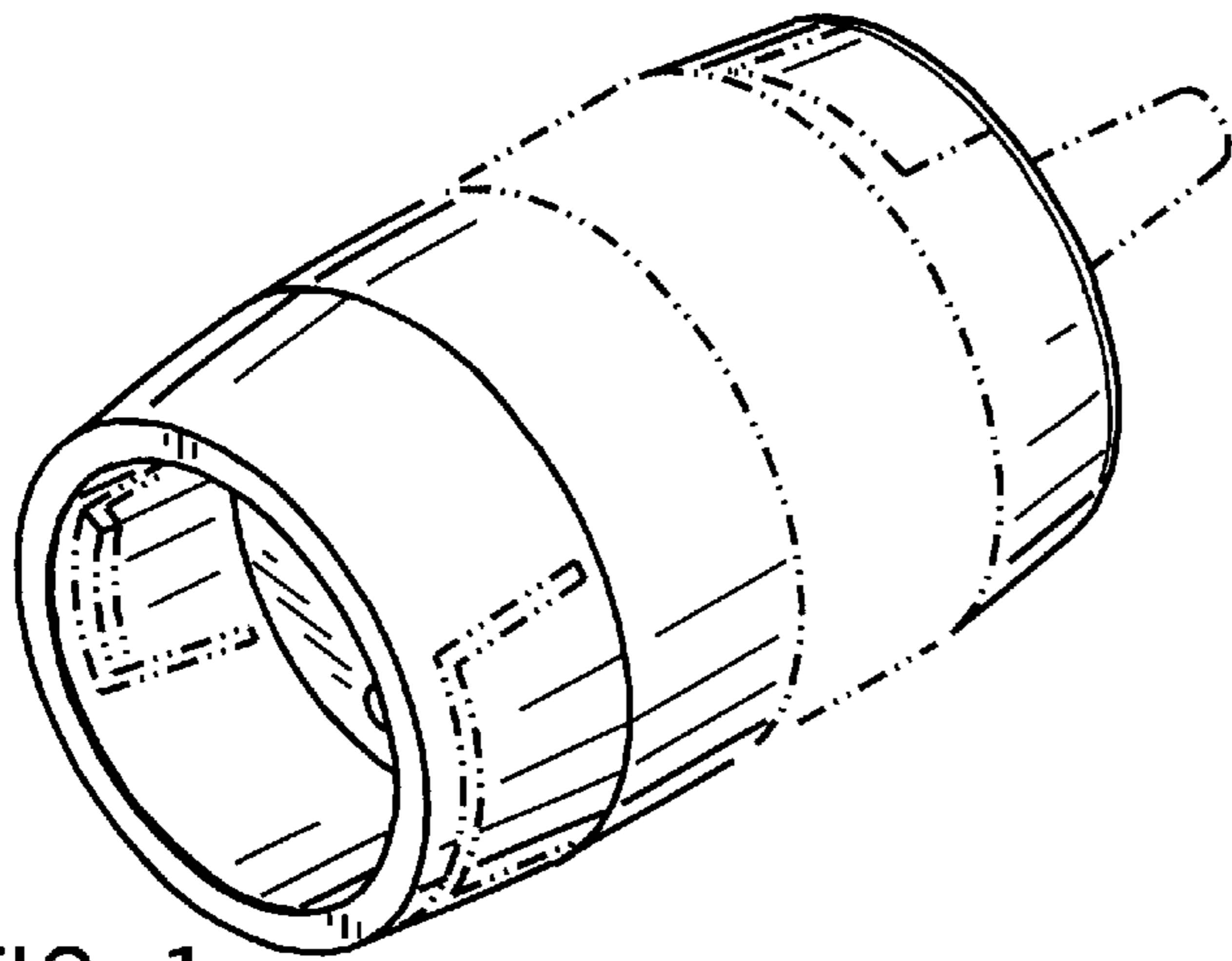


FIG. 1

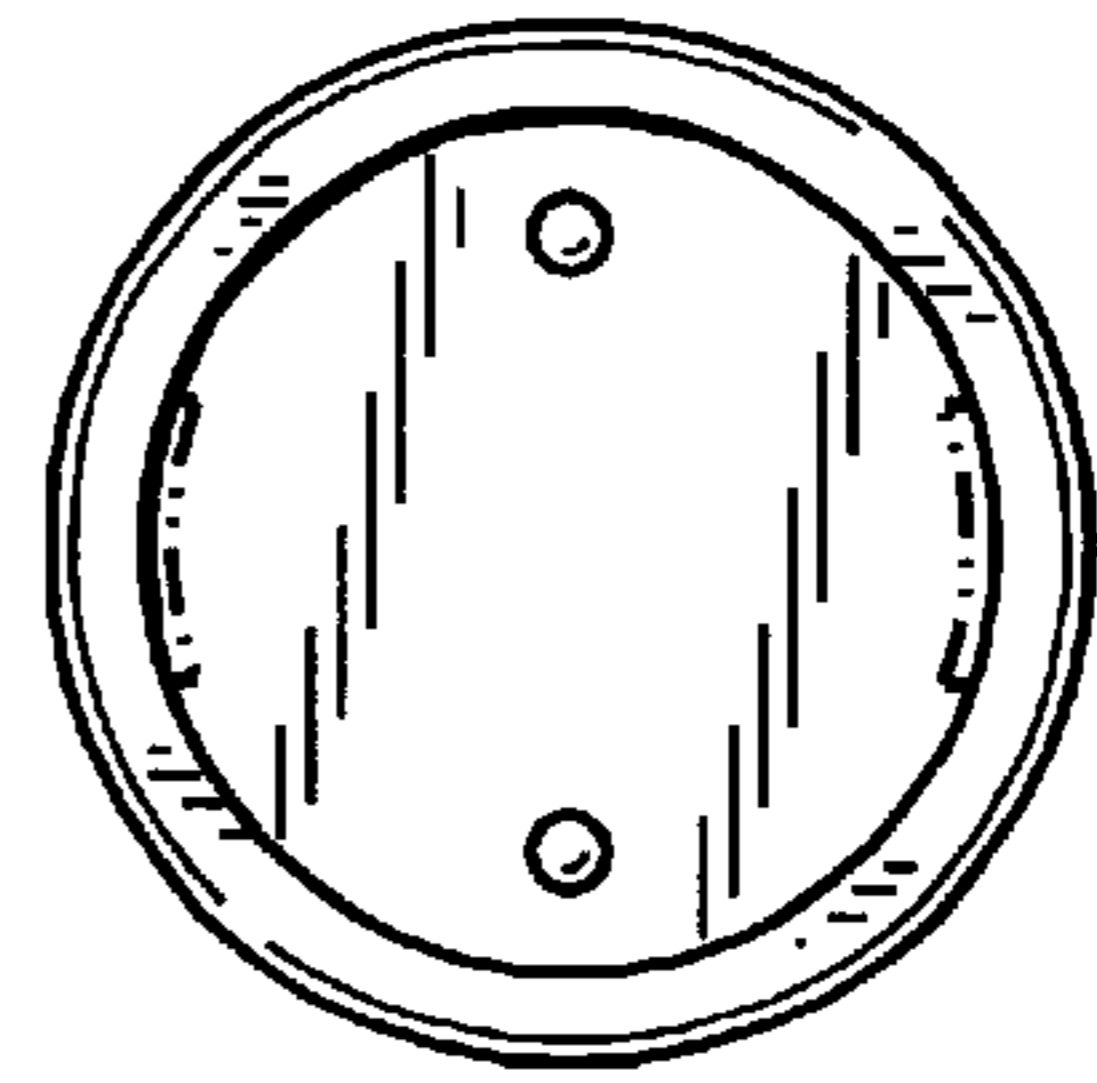


FIG. 2

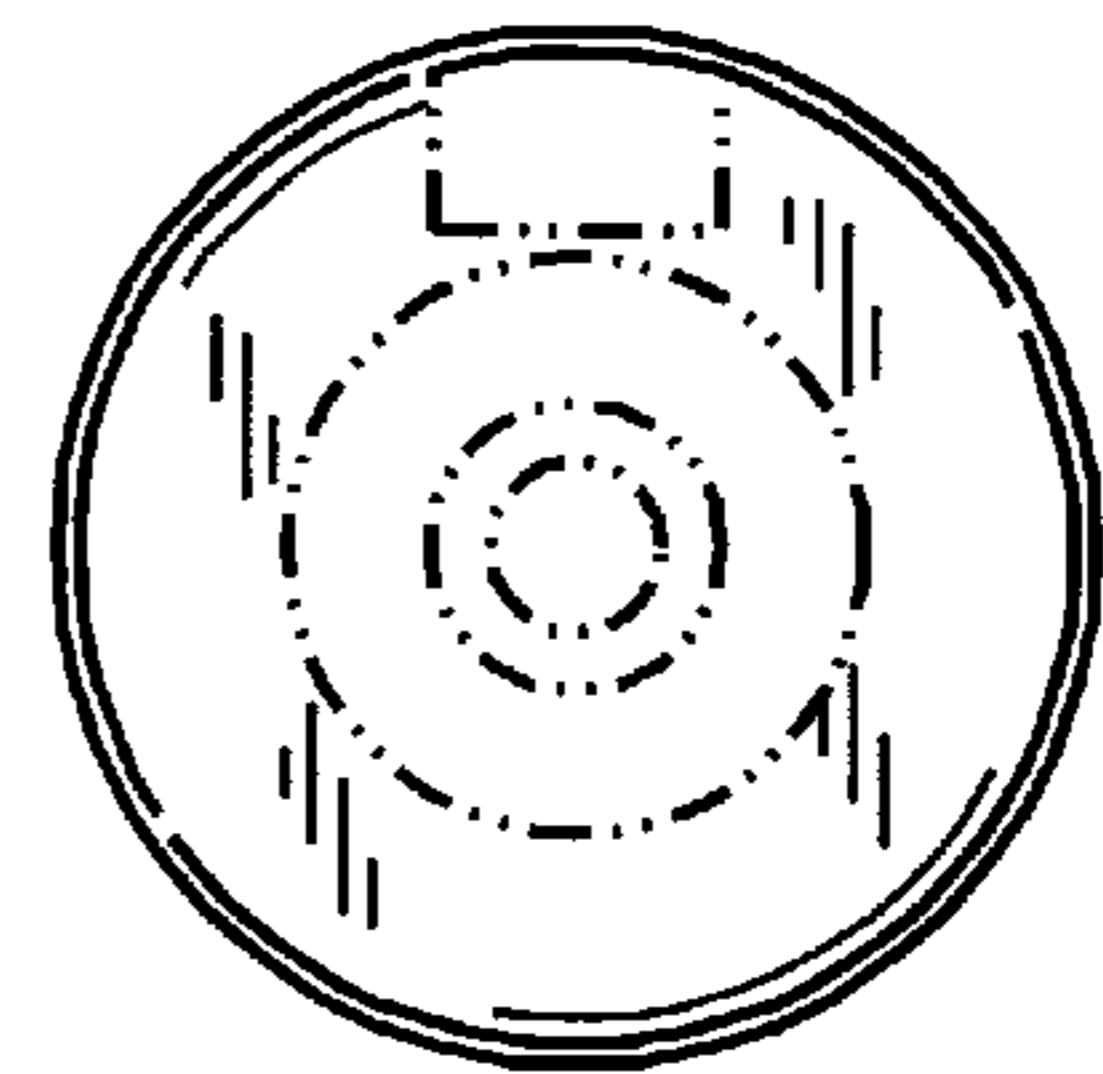


FIG. 4

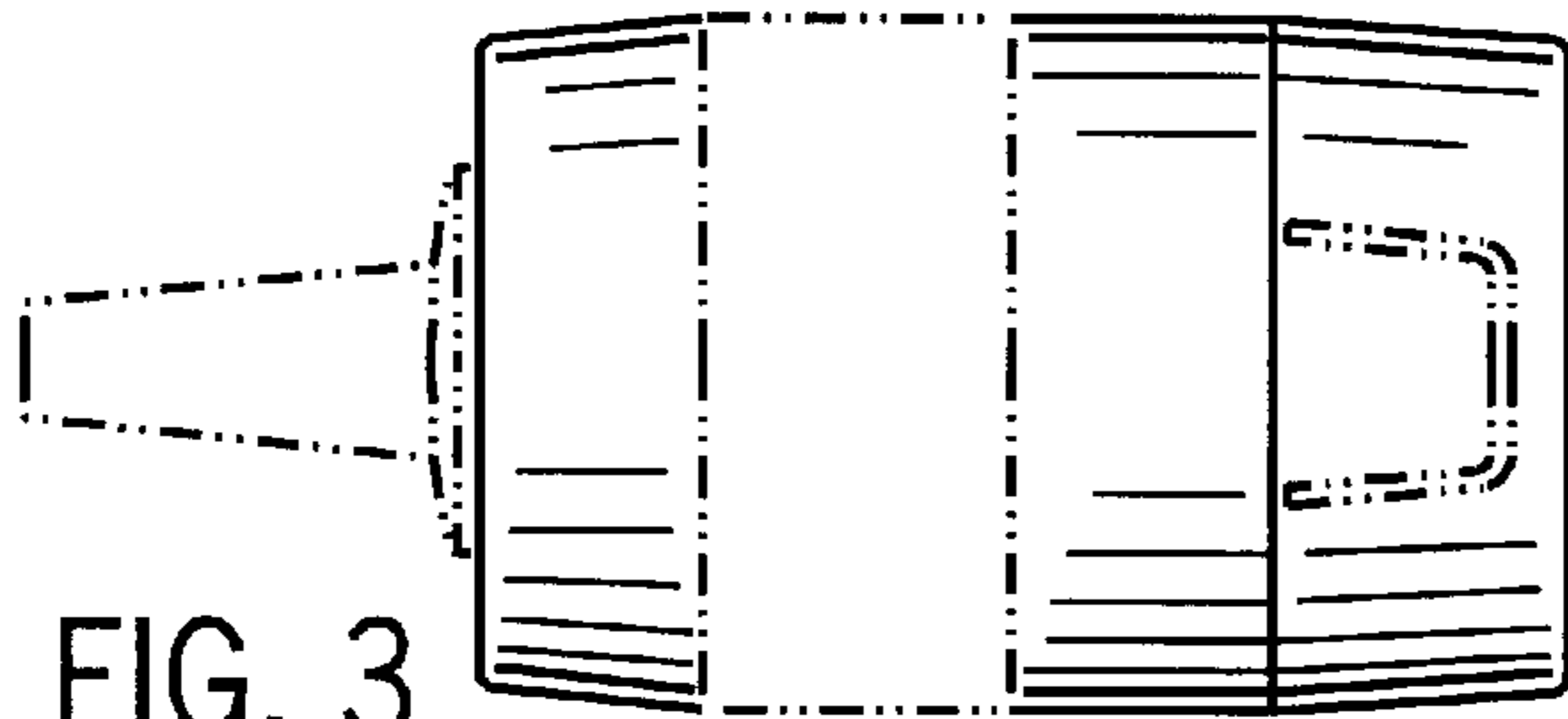


FIG. 3

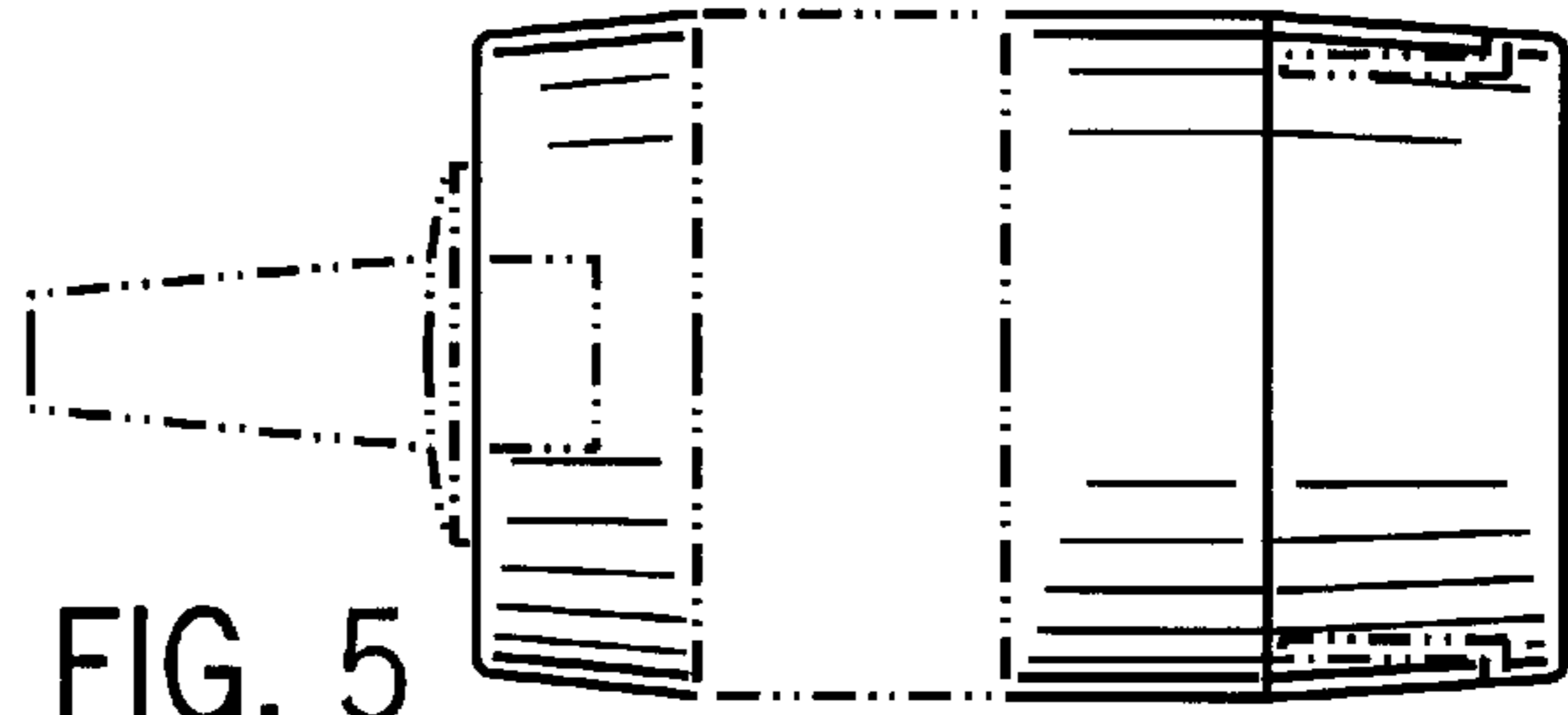


FIG. 5

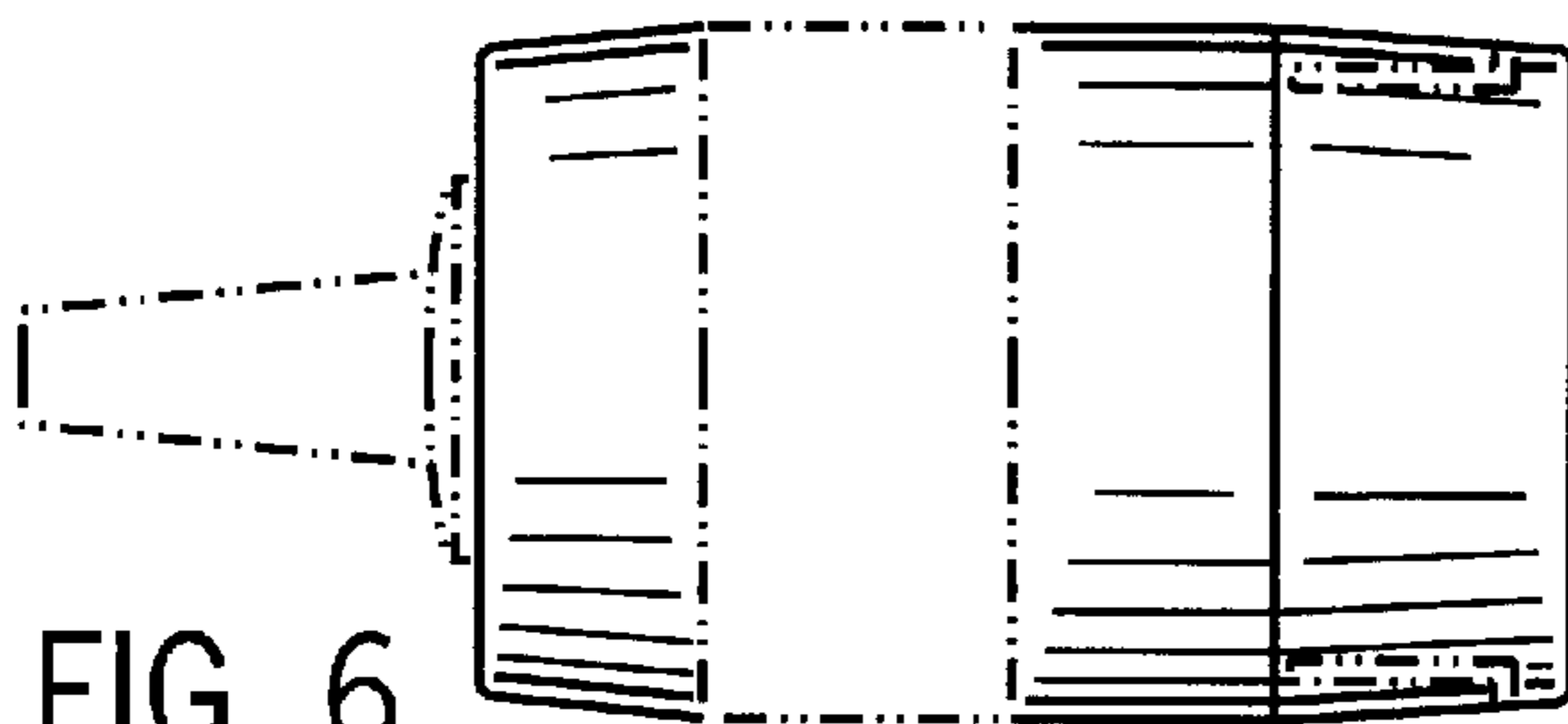


FIG. 6