



US00D446767B1

(12) **United States Design Patent**  
**Black, Jr.**

(10) **Patent No.:** **US D446,767 S**

(45) **Date of Patent:** **\*\* Aug. 21, 2001**

(54) **BATTERY PACK**

(76) **Inventor:** **William L. Black, Jr.**, 3469 Kawkawlin River Dr., Bay City, MI (US) 48706

(\*\*) **Term:** **14 Years**

(21) **Appl. No.:** **29/135,684**

(22) **Filed:** **Jan. 17, 2001**

(51) **LOC (7) Cl.** ..... **13-02**

(52) **U.S. Cl.** ..... **D13/103**

(58) **Field of Search** ..... D13/103, 119;  
429/96-100, 159, 163, 176

(56) **References Cited**

**U.S. PATENT DOCUMENTS**

- D. 357,897 \* 5/1995 Daio et al. .... D13/103
- D. 439,561 \* 3/2001 Lee, IV et al. .... D13/103
- 6,143,440 \* 11/2000 Volz et al. .... 429/100 X

\* cited by examiner

*Primary Examiner*—Joel Sincavage

(74) *Attorney, Agent, or Firm*—Crutsinger & Booth

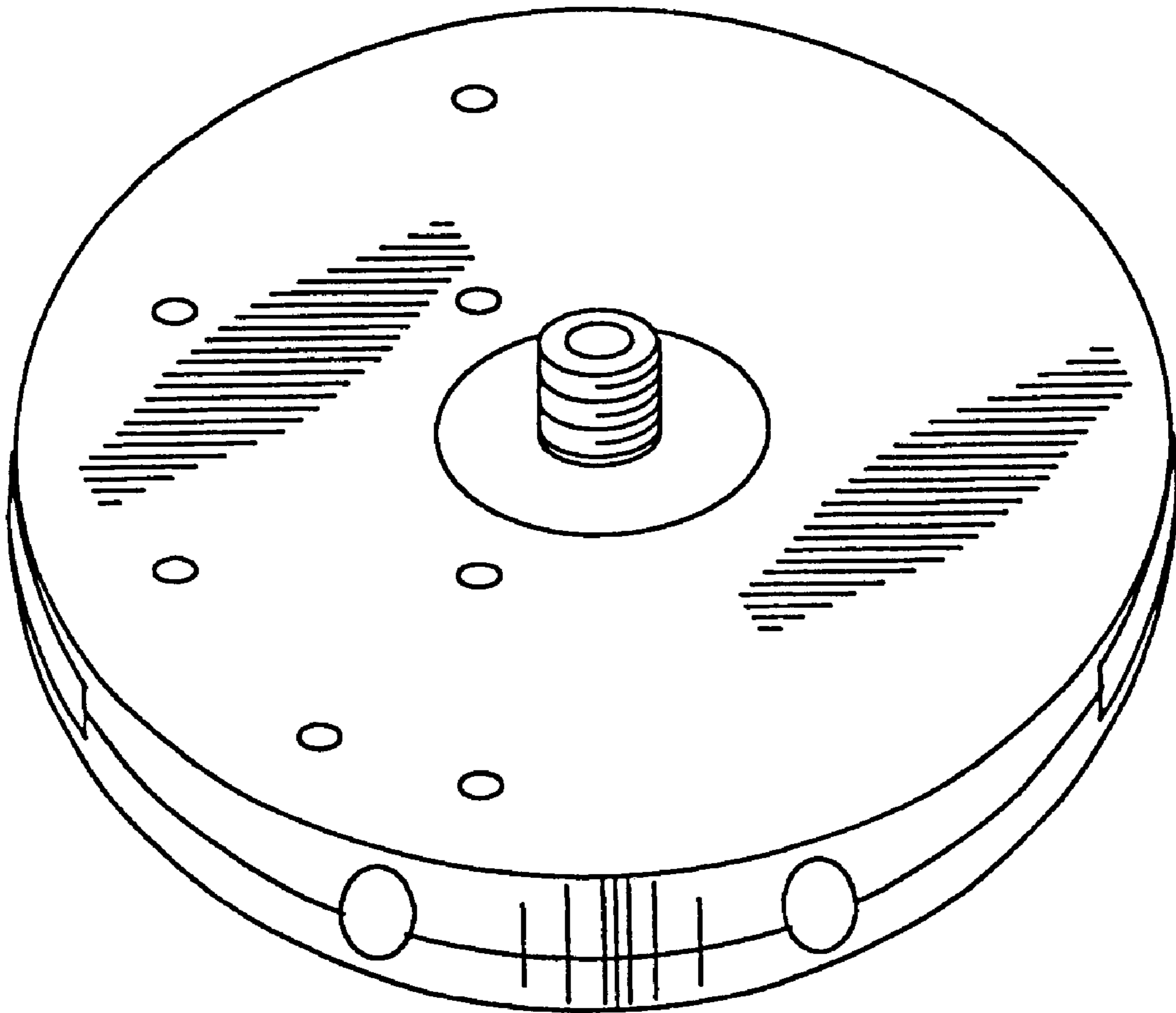
(57) **CLAIM**

The ornamental design for battery pack, substantially as shown and described.

**DESCRIPTION**

FIG. 1 is a top plan view showing my new design;  
 FIG. 2 is a bottom plan view thereof;  
 FIG. 3 is a front elevational view thereof;  
 FIG. 4 is a rear elevational view thereof;  
 FIG. 5 is a right side elevational view thereof;  
 FIG. 6 is a left side elevational view thereof;  
 FIG. 7 is an elevational view of the inside of the bottom half of the battery case;  
 FIG. 8 is a cross-sectional view taken along line 8—8 of FIG. 7; and,  
 FIG. 9 is a perspective view showing the top and front thereof.

**1 Claim, 2 Drawing Sheets**



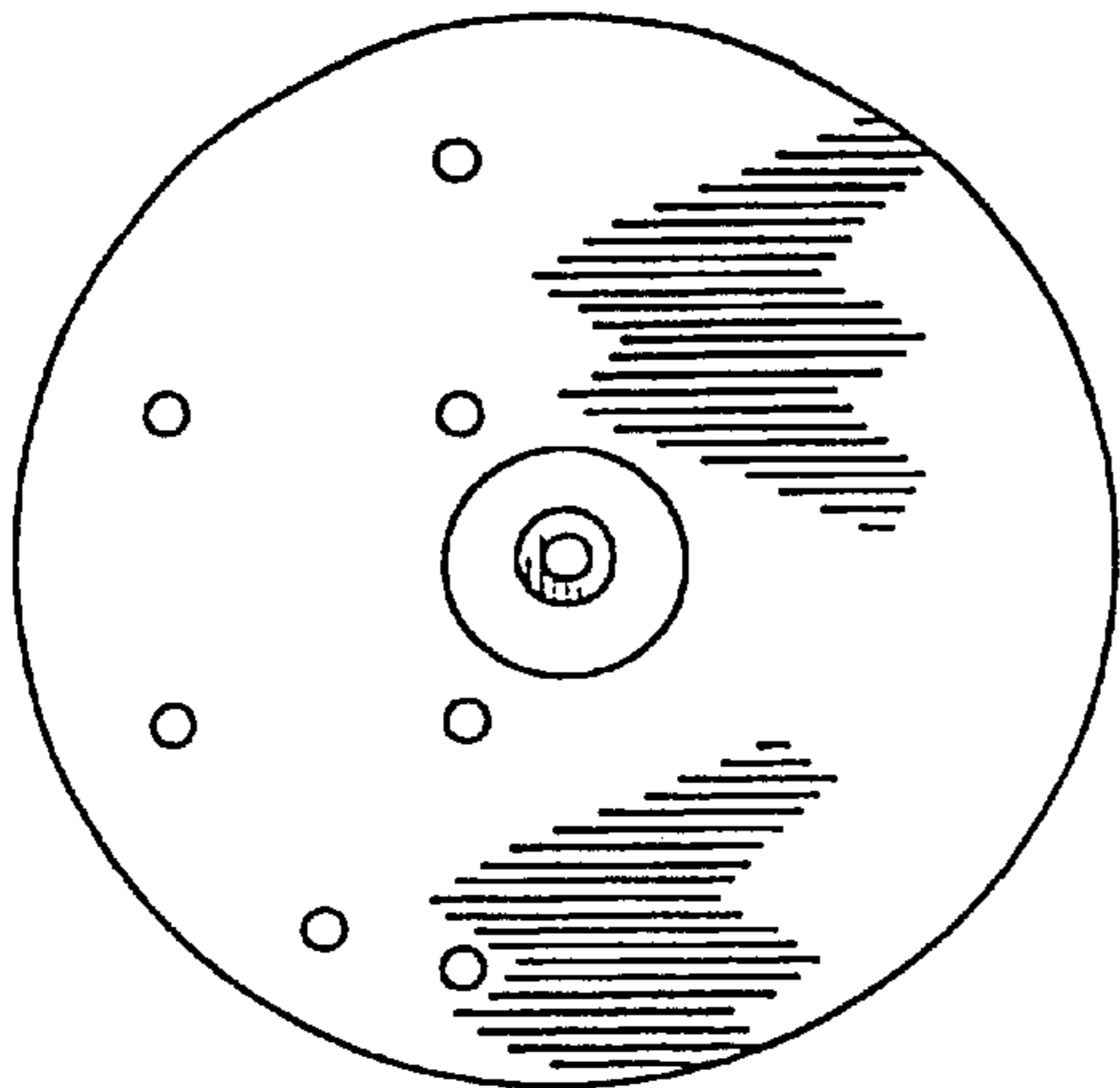


Fig. 1

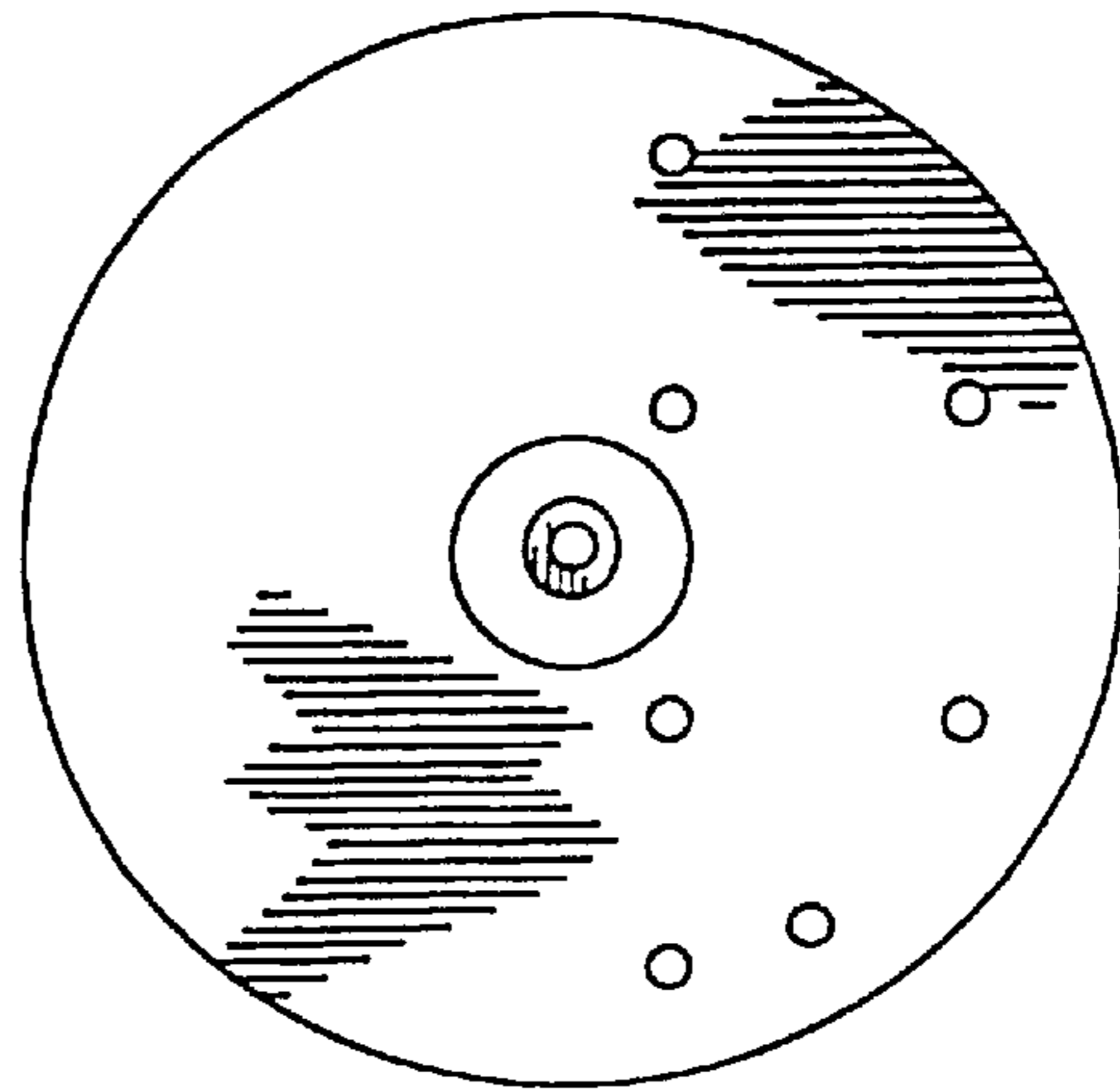


Fig. 2

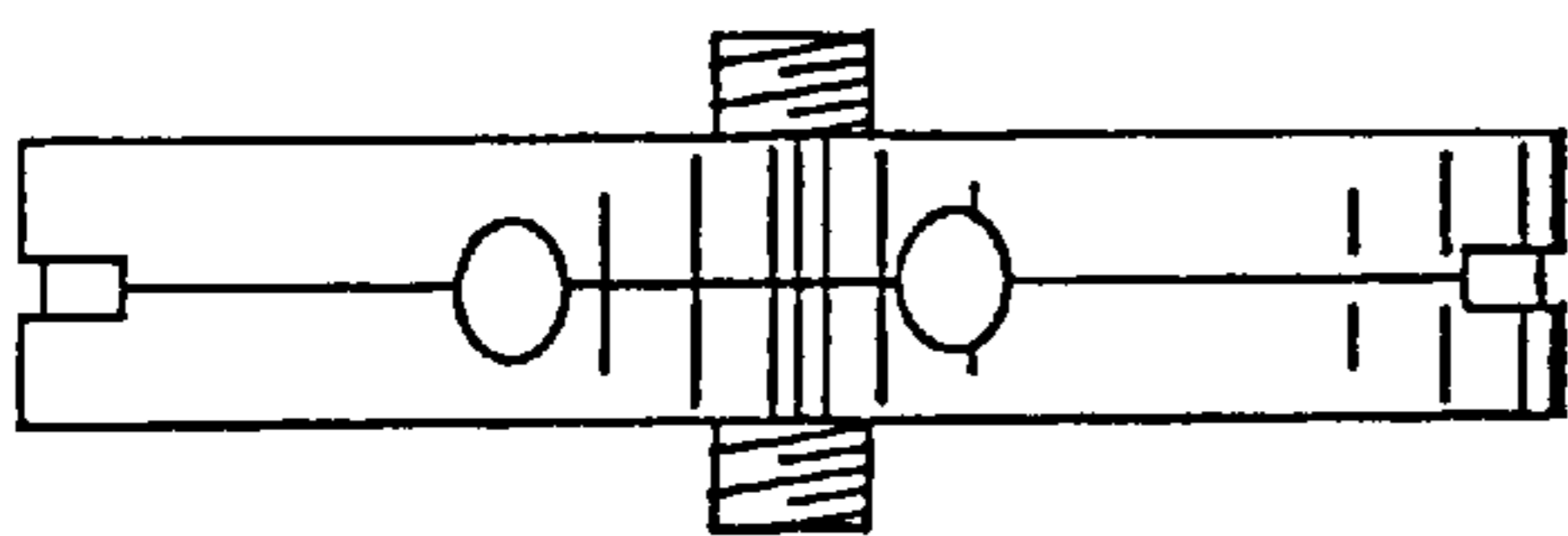


Fig. 3

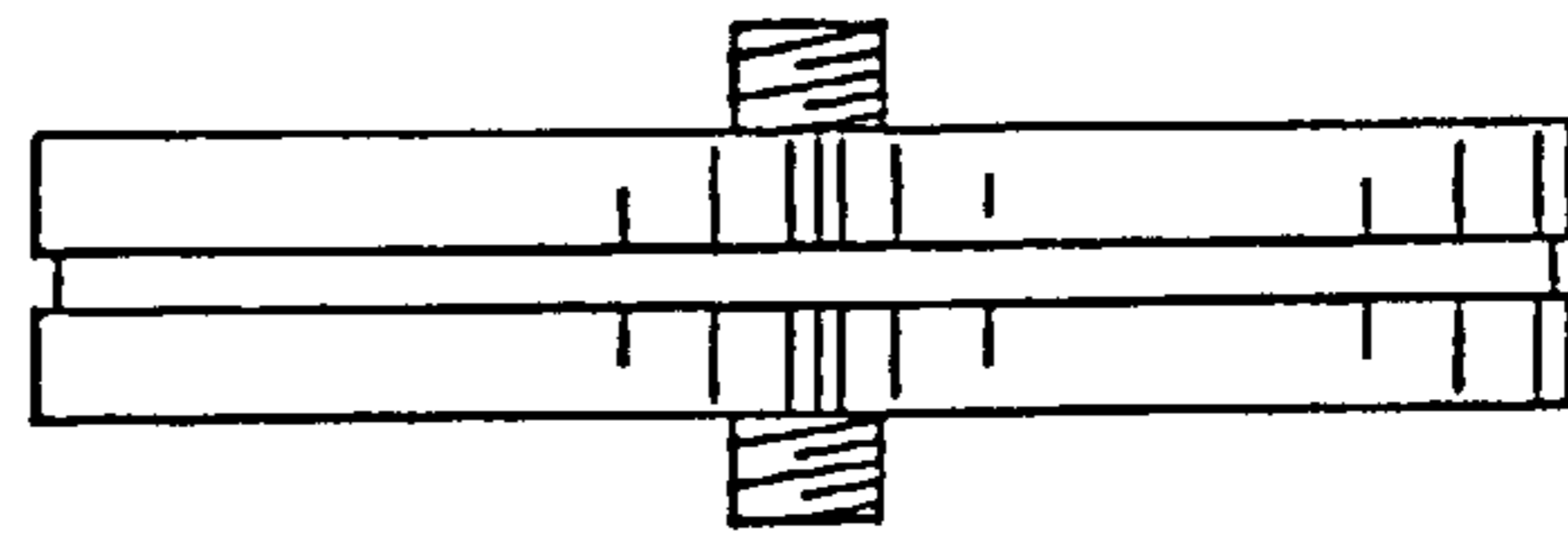


Fig. 4

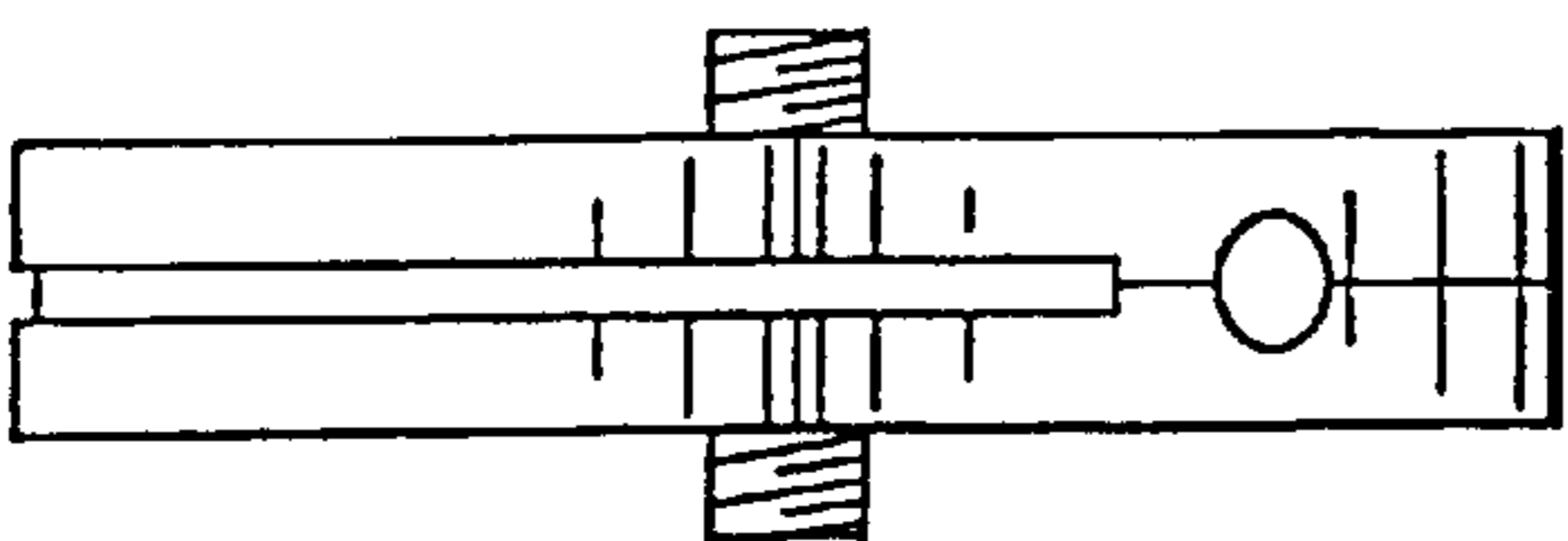


Fig. 5

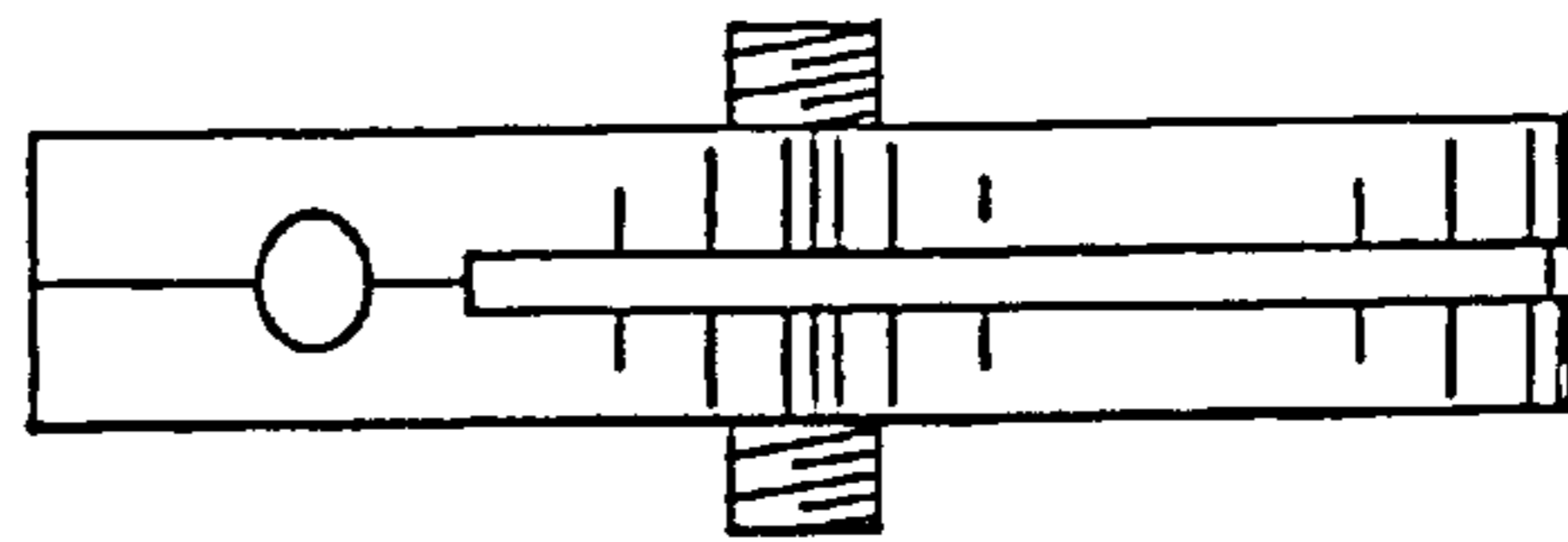


Fig. 6

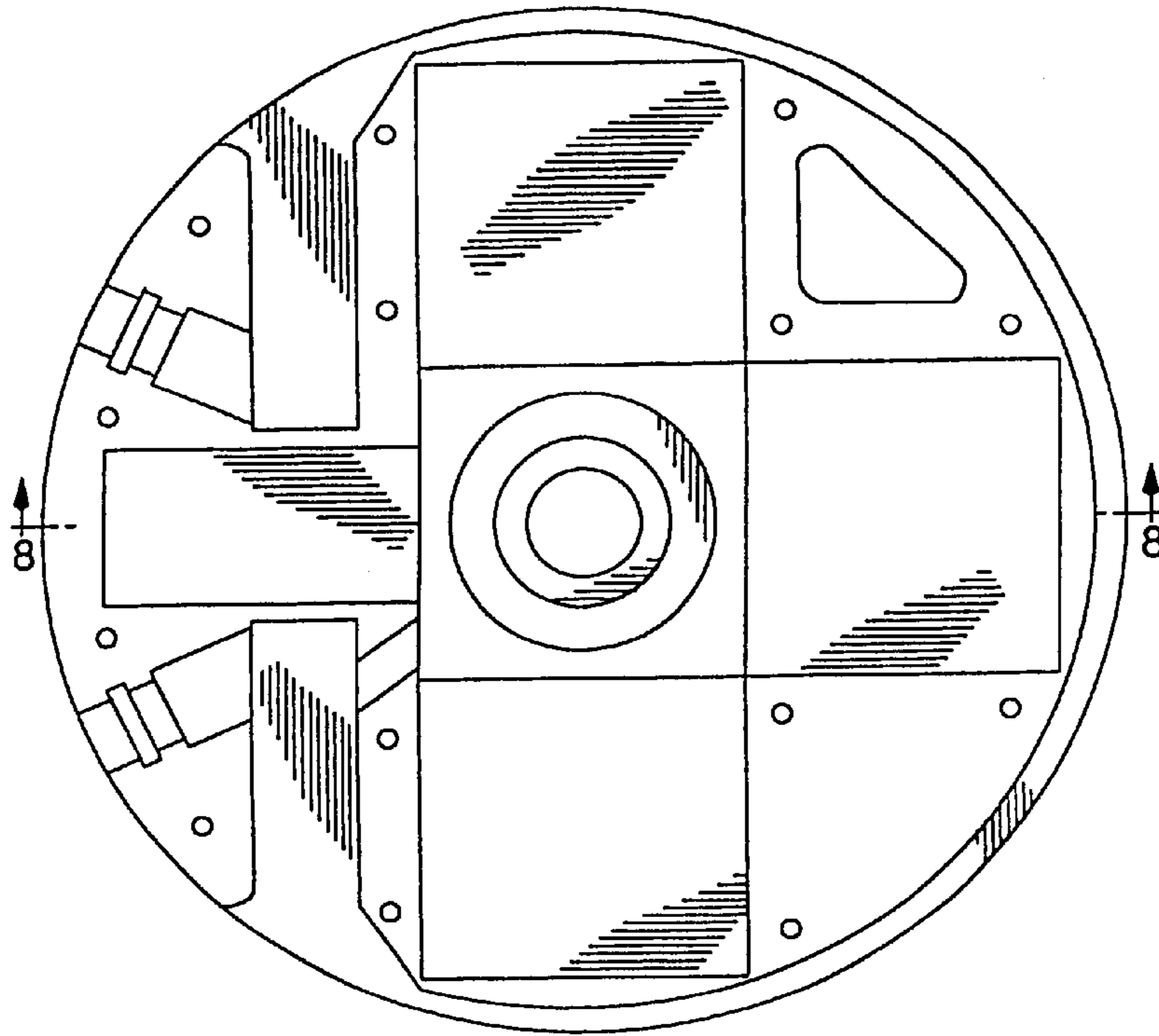


Fig. 7



Fig. 8

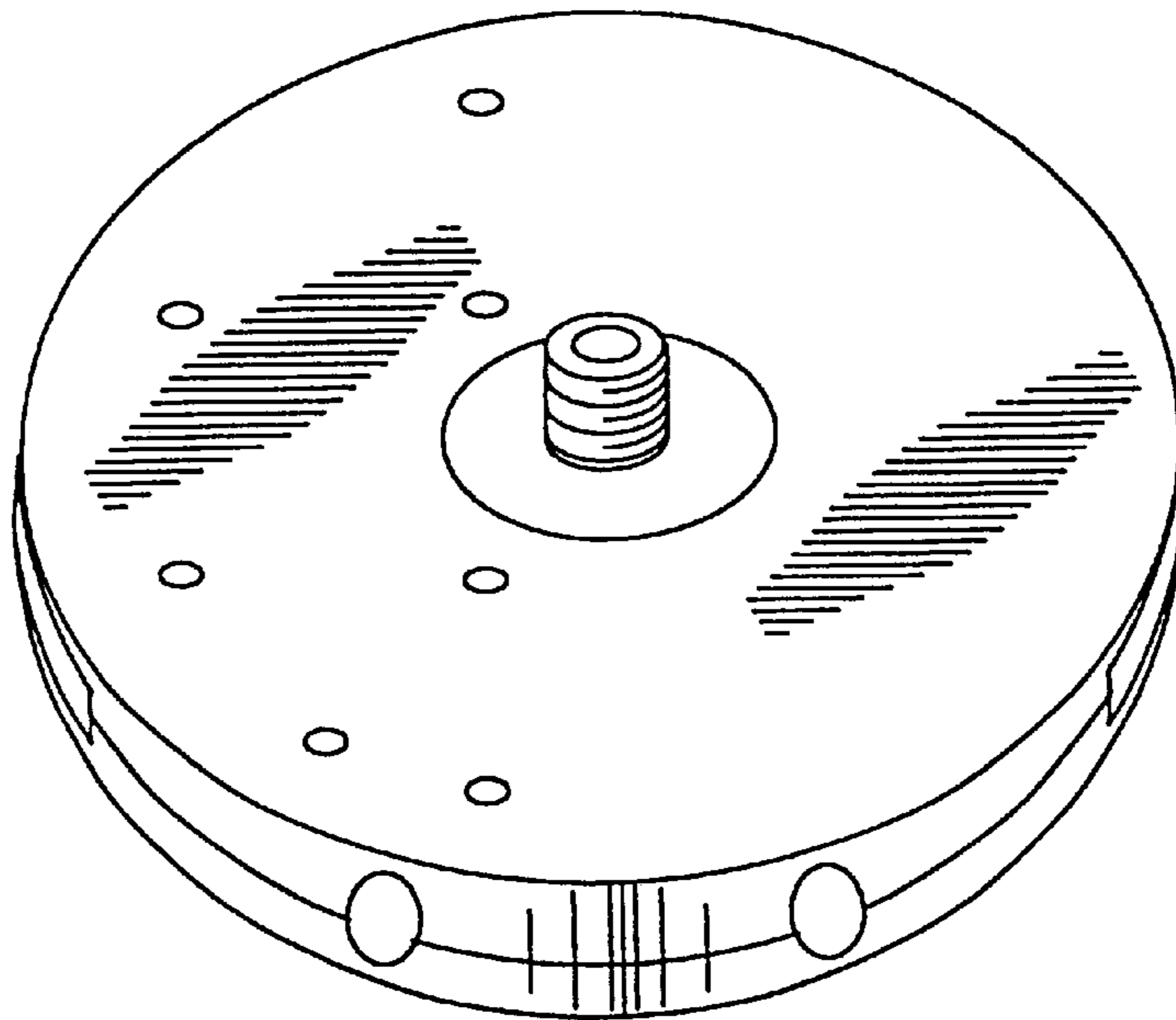


Fig. 9

UNITED STATES PATENT AND TRADEMARK OFFICE  
**CERTIFICATE OF CORRECTION**

PATENT NO. : Des. 446,767 S  
DATED : August 21, 2001  
INVENTOR(S) : Black, Jr.

Page 1 of 1

It is certified that error appears in the above-identified patent and that said Letters Patent is hereby corrected as shown below:

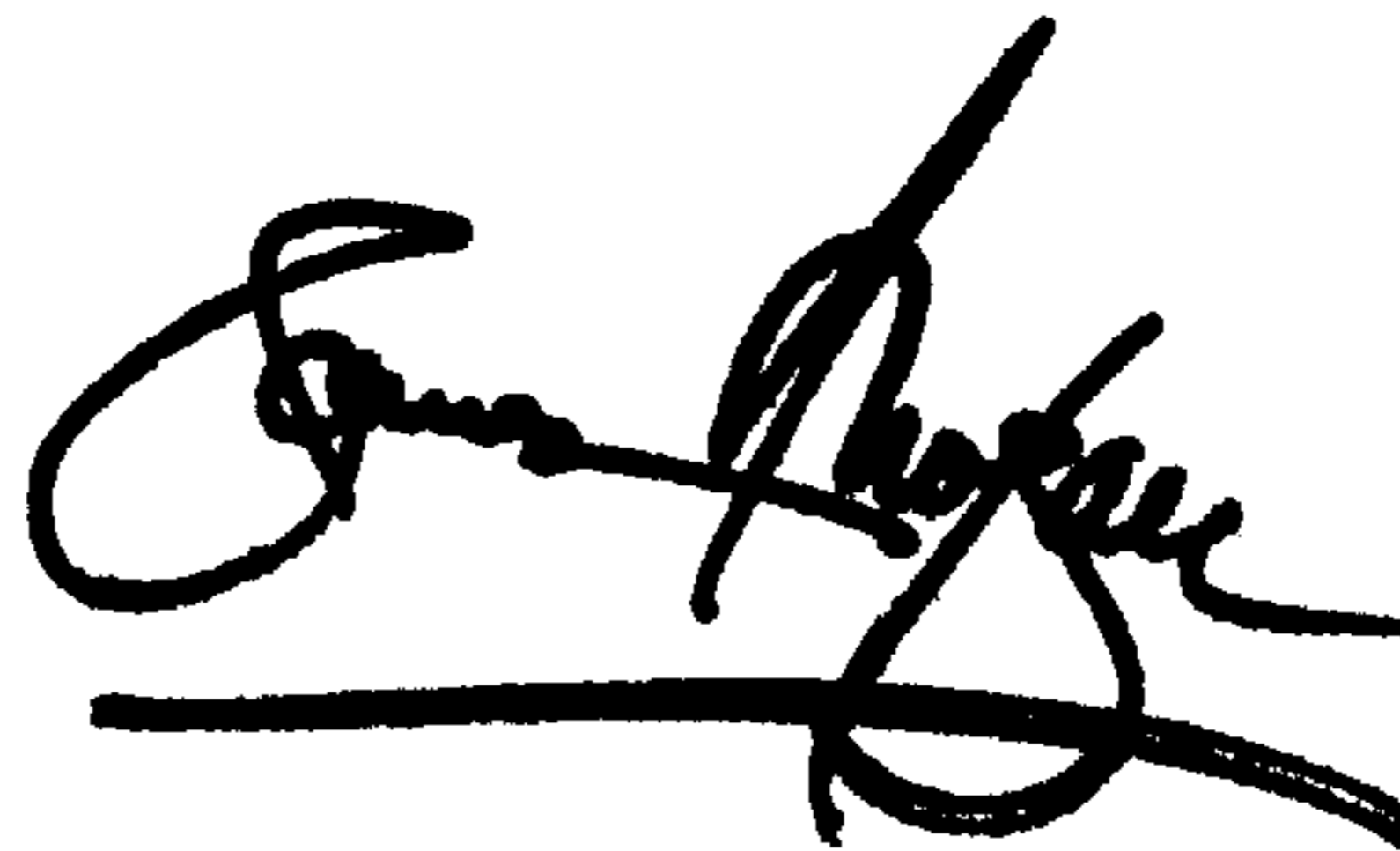
Title page,

Item [76], Inventor, change "3469 Kawkawlin River Dr." to read  
-- 6291 Golf Lakes Ct. --.

Signed and Sealed this

Fifteenth Day of October, 2002

*Attest:*



*Attesting Officer*

JAMES E. ROGAN  
*Director of the United States Patent and Trademark Office*