



US00D446764B1

(12) **United States Design Patent**
Panatov et al.

(10) **Patent No.:** **US D446,764 S**

(45) **Date of Patent:** **** Aug. 21, 2001**

(54) **LIGHT AMPHIBIAN**

(75) Inventors: **Gennady Sergeevich Panatov;**
Valentin Nikolaevich Kravtsov;
Vladimir Nikolaevich Konoplev, all of
g.Taganrog (RU)

(73) Assignee: **Aktsionernoe obschestvo otkrytogo**
tipa Taganrogsky aviatsionny
nauchno-tekhnichesky kompleks imeni
GM Berieva, Taganrog (RU)

(**) Term: **14 Years**

(21) Appl. No.: **29/085,776**

(22) Filed: **Mar. 30, 1998**

(51) **LOC (7) Cl.** **12-07**

(52) **U.S. Cl.** **D12/324**

(58) **Field of Search** D12/319-345;
244/48, 45 R, 45 A, 55, 15, 91, 199, 13

(56) **References Cited**

U.S. PATENT DOCUMENTS

D. 264,838 * 6/1982 Dornier D12/324

D. 348,245 * 6/1994 Blum D12/332
5,280,863 * 1/1994 Schmittle 244/48
5,480,107 * 1/1996 Bacon 244/55

* cited by examiner

Primary Examiner—Brian N. Vinson

(74) *Attorney, Agent, or Firm*—Ladas & Parry

(57) **CLAIM**

The ornamental design for a light amphibian, as shown and described.

DESCRIPTION

FIG. 1 is a perspective view of a light amphibian showing our new design;

FIG. 2 is a right side elevational view thereof;

FIG. 3 is a left side elevational view thereof;

FIG. 4 is a front elevational view thereof;

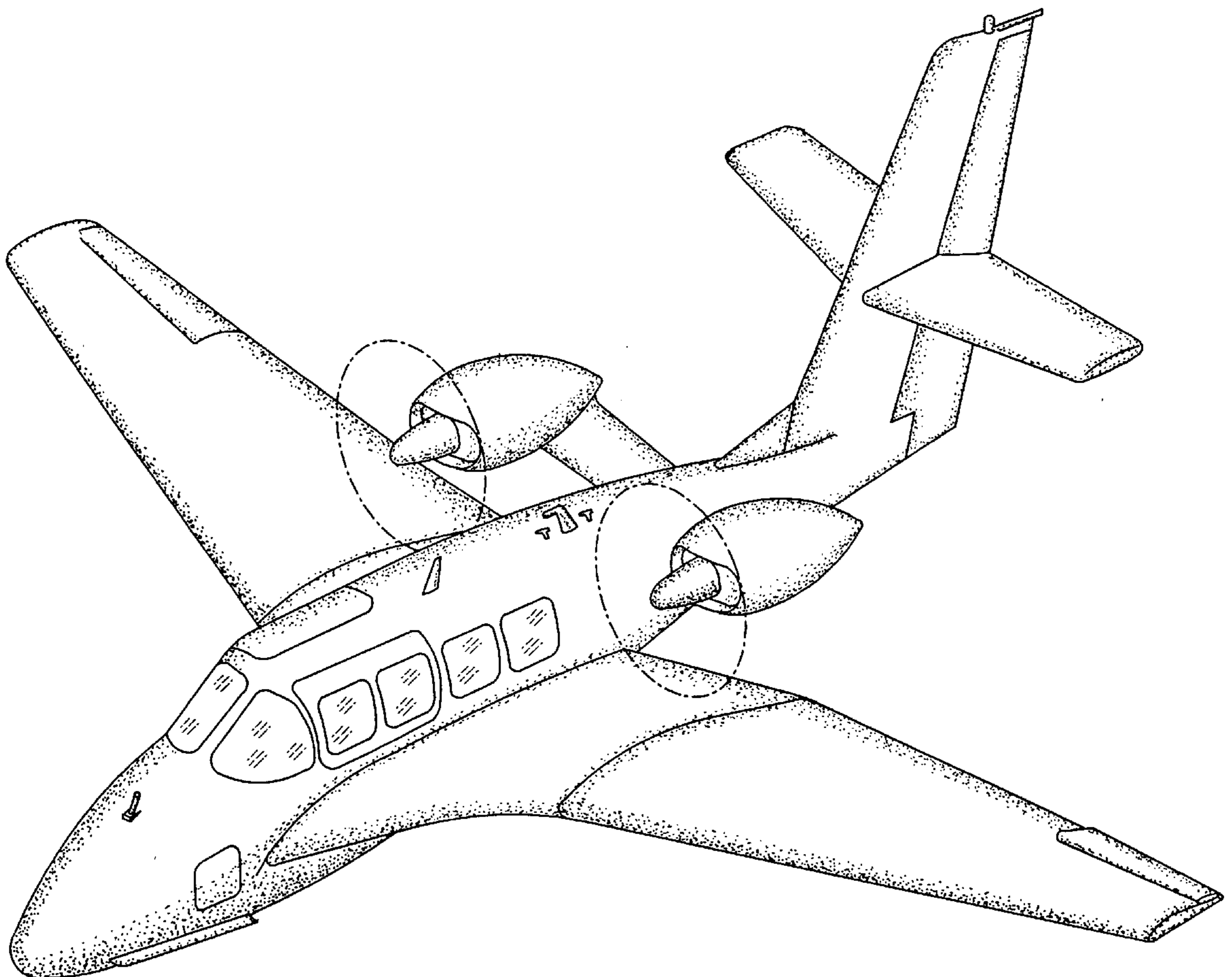
FIG. 5 is a rear elevational view thereof;

FIG. 6 is a top plan view thereof; and,

FIG. 7 is a bottom plan view thereof.

The broken-line disclosure of propellers in the views are for illustrative purposes only and form no part of the claimed design.

1 Claim, 5 Drawing Sheets



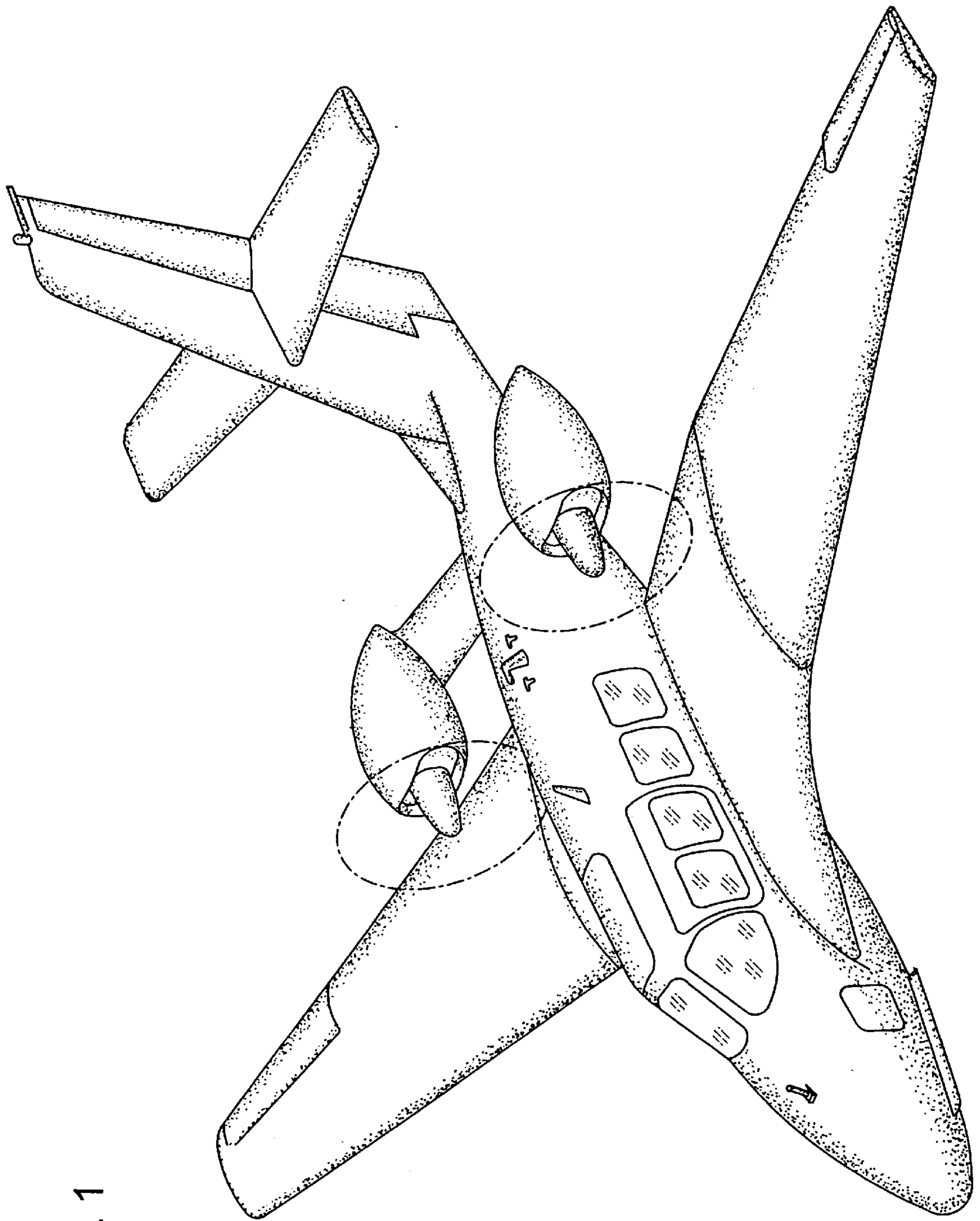


FIG. 1

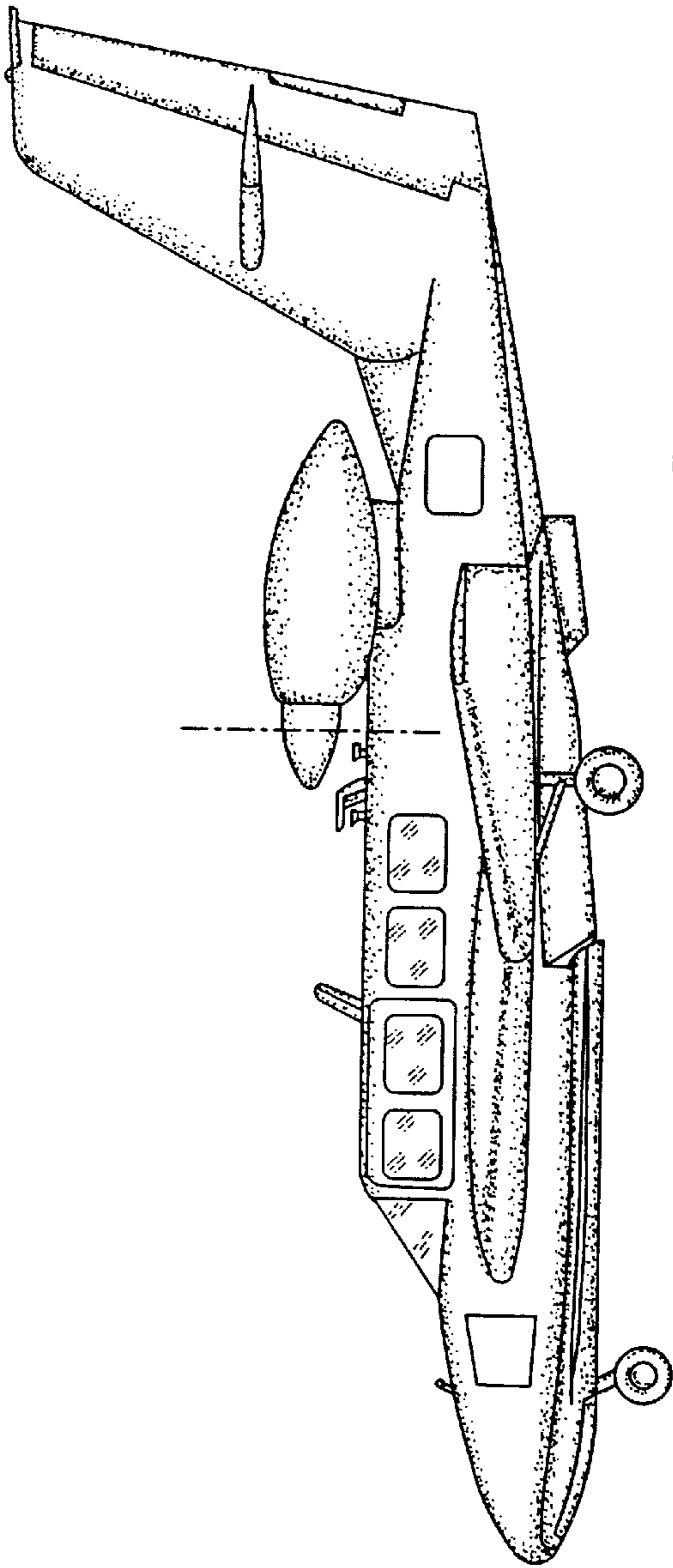


FIG. 2

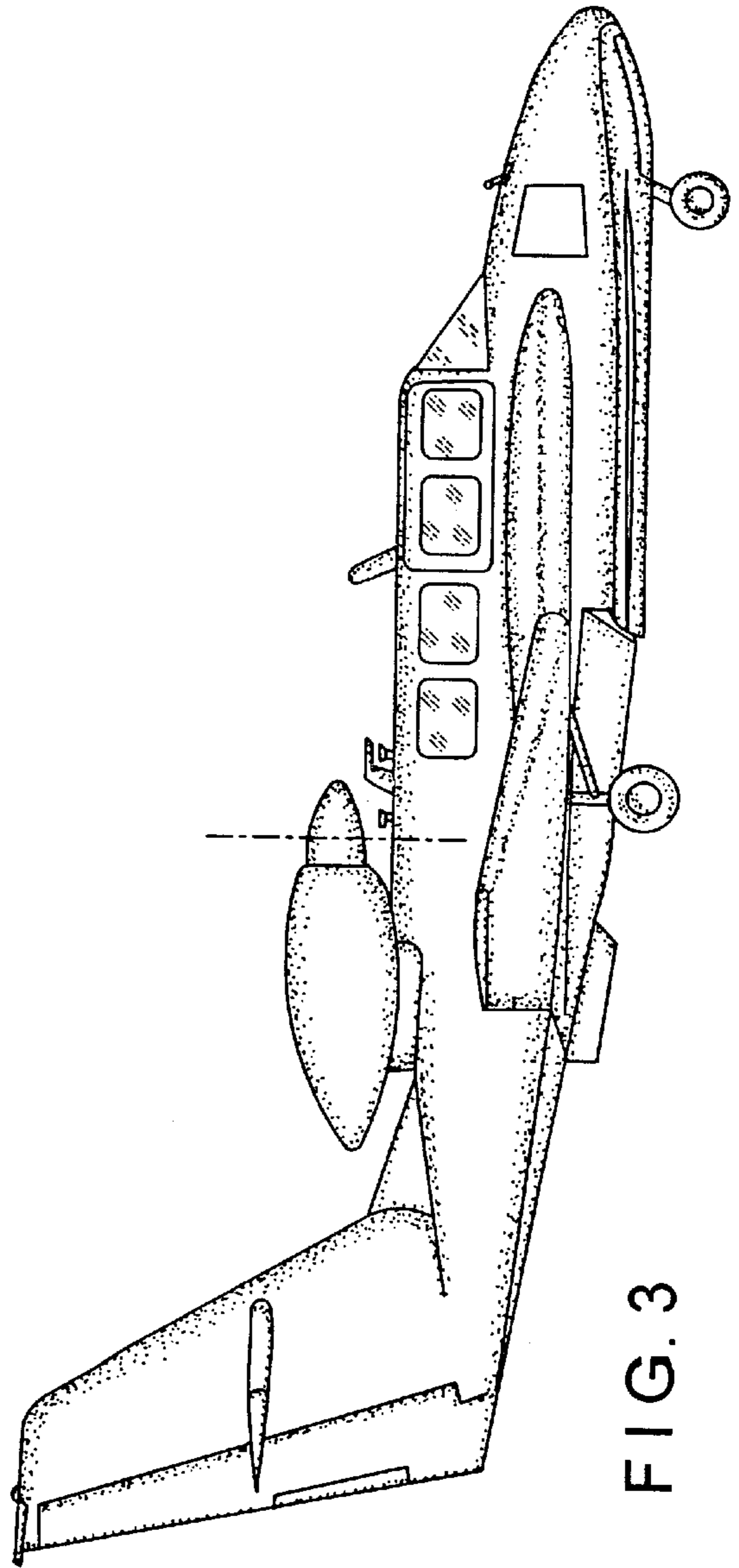


FIG. 3

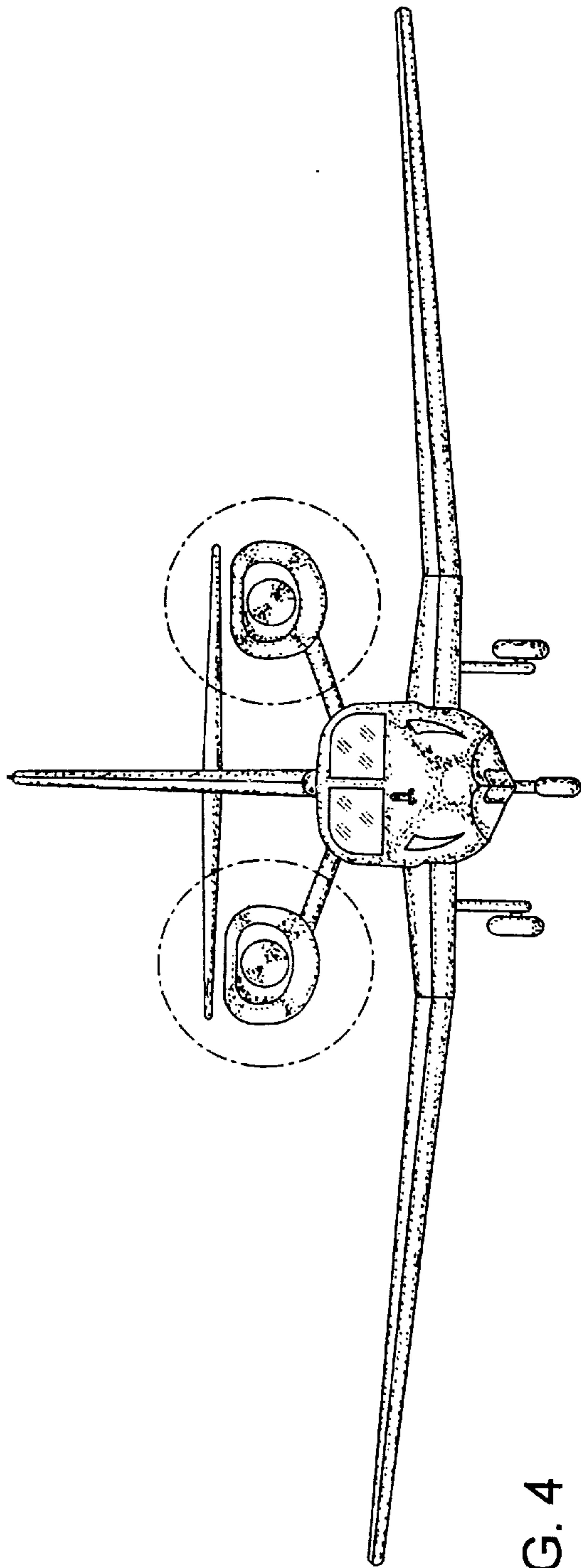


FIG. 4

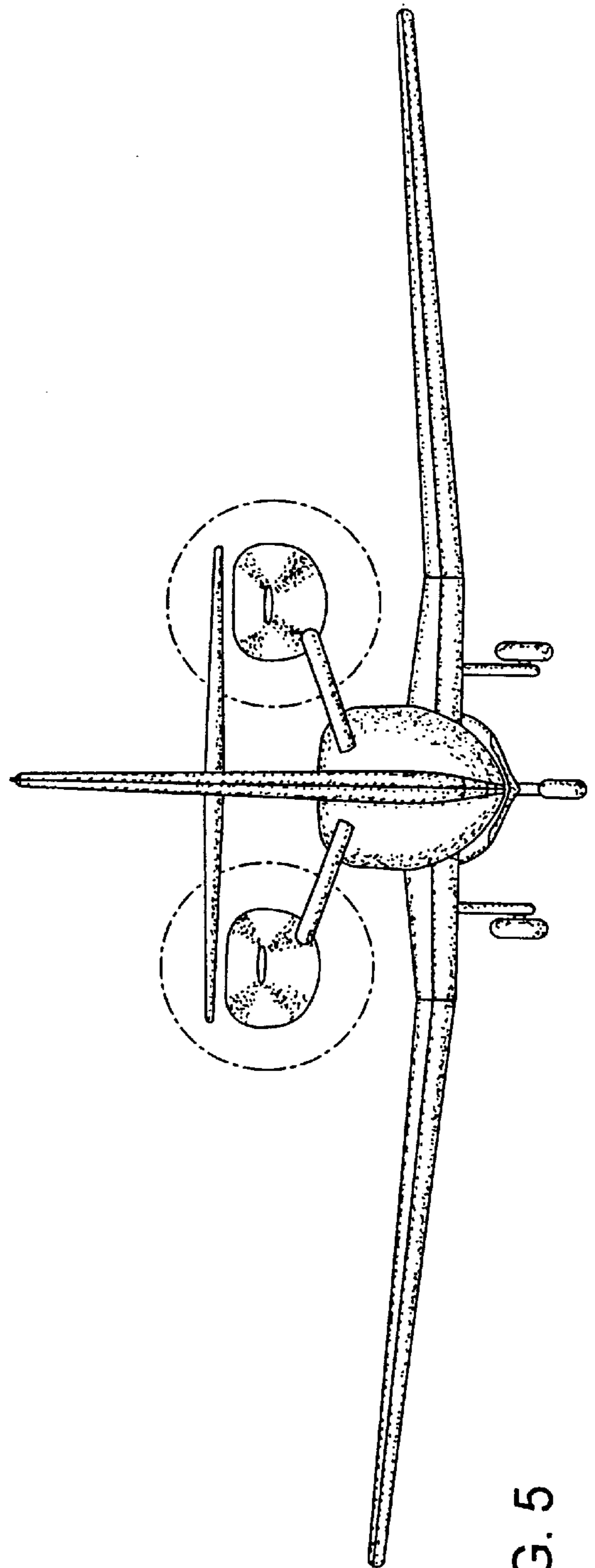


FIG. 5

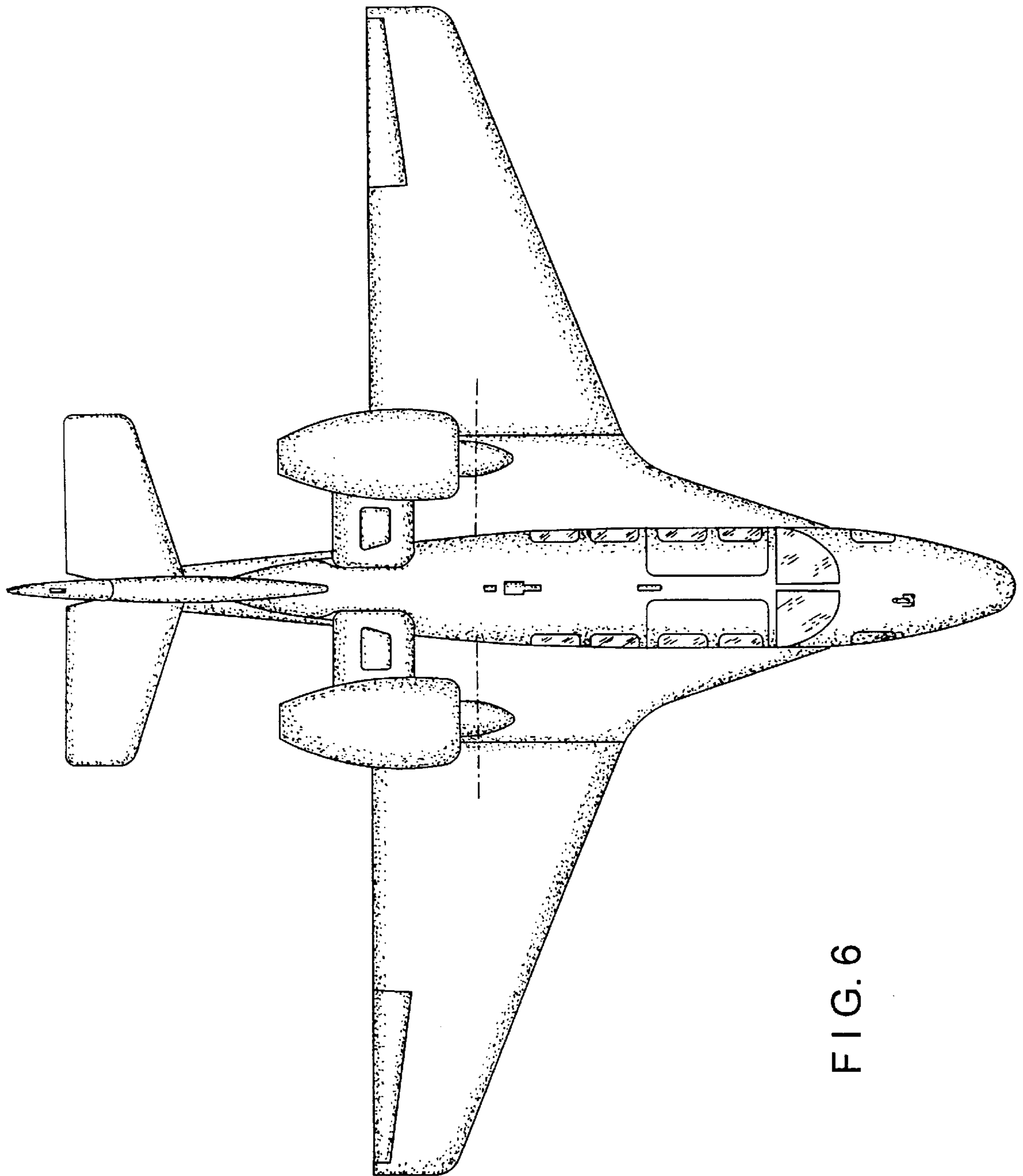


FIG. 6

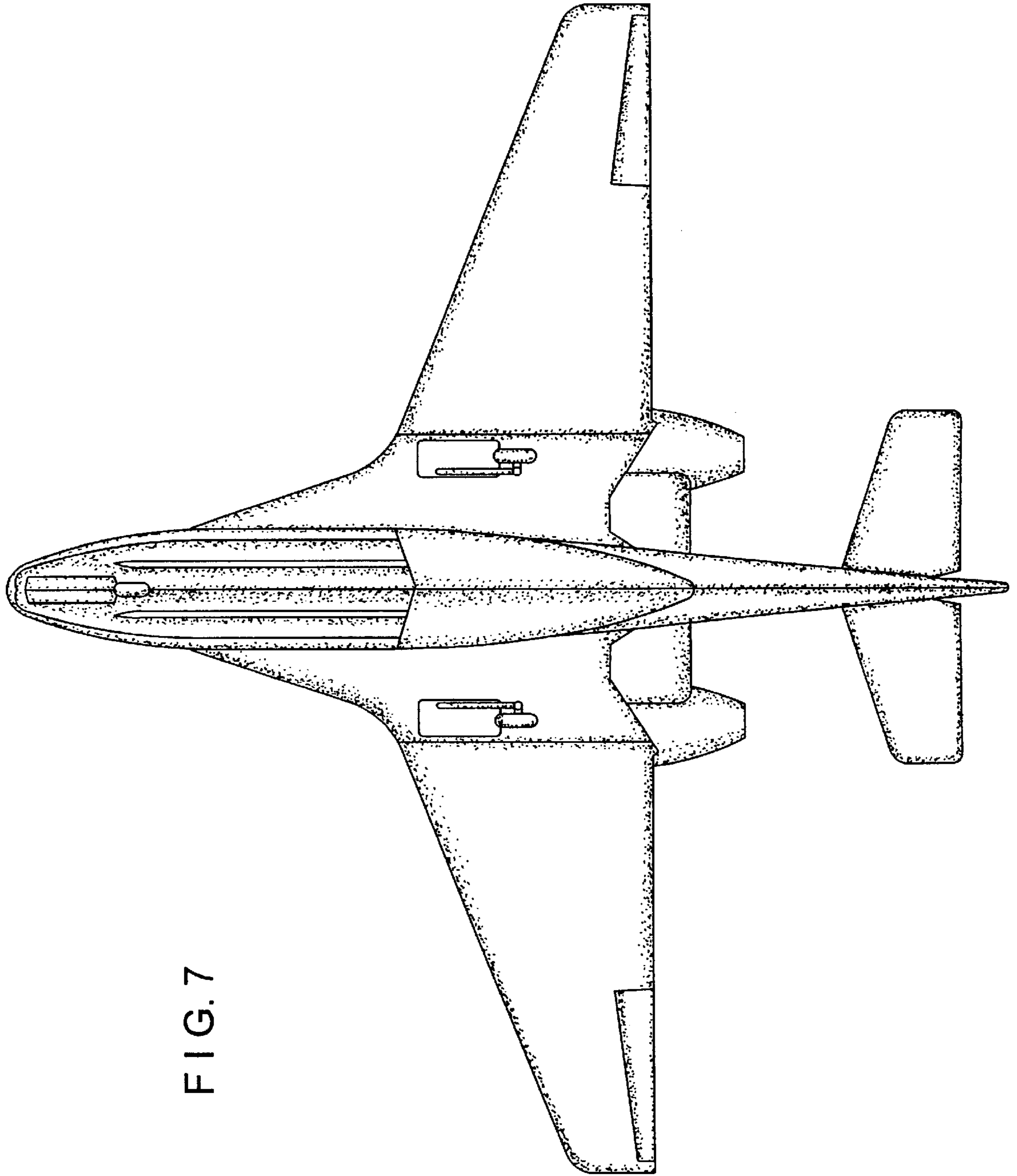


FIG. 7