



US00D446760B1

(12) **United States Design Patent**
Turgeon et al.

(10) **Patent No.:** **US D446,760 S**

(45) **Date of Patent:** **** Aug. 21, 2001**

(54) **RUNNING BOARDS**

(75) Inventors: **Romain Turgeon**, Morinville; **Larry Strilchuk**, Clyde; **John Lehman**, Westlock, all of (CA)

(73) Assignee: **Lehman Trikes Inc.**, Westlock (CA)

(**) Term: **14 Years**

(21) Appl. No.: **29/137,256**

(22) Filed: **Feb. 14, 2001**

(30) **Foreign Application Priority Data**

Aug. 16, 2000 (CA) 2000-2188

(51) **LOC (7) Cl.** **12-16**

(52) **U.S. Cl.** **D12/203**

(58) **Field of Search** D12/203, 190,
D12/85, 87, 165-166; 280/163, 164.1, 153.5,
848, 607; 182/90-92; D25/62, 69; 428/81-82;
238/14; 180/182-185, 190, 193

(56) **References Cited**

U.S. PATENT DOCUMENTS

- D. 263,697 * 4/1982 Mathews D12/203
- D. 330,536 * 10/1992 Holloway et al. D12/203
- D. 336,629 * 6/1993 Hinrichs et al. D12/203

- D. 395,269 * 6/1998 McCauley, Jr. D12/203
- D. 397,980 * 9/1998 Thompson D12/203
- D. 400,486 * 11/1998 Zentner D12/203
- D. 411,976 * 7/1999 McCauley D12/203
- D. 424,006 * 5/2000 Lemieux et al. D12/203
- D. 434,711 * 12/2000 McQuiston D12/203
- D. 436,336 * 1/2001 Sadr D12/203

* cited by examiner

Primary Examiner—Stacia Cadmus

(74) *Attorney, Agent, or Firm*—Christensen O'Connor Johnson Kindness PLLC

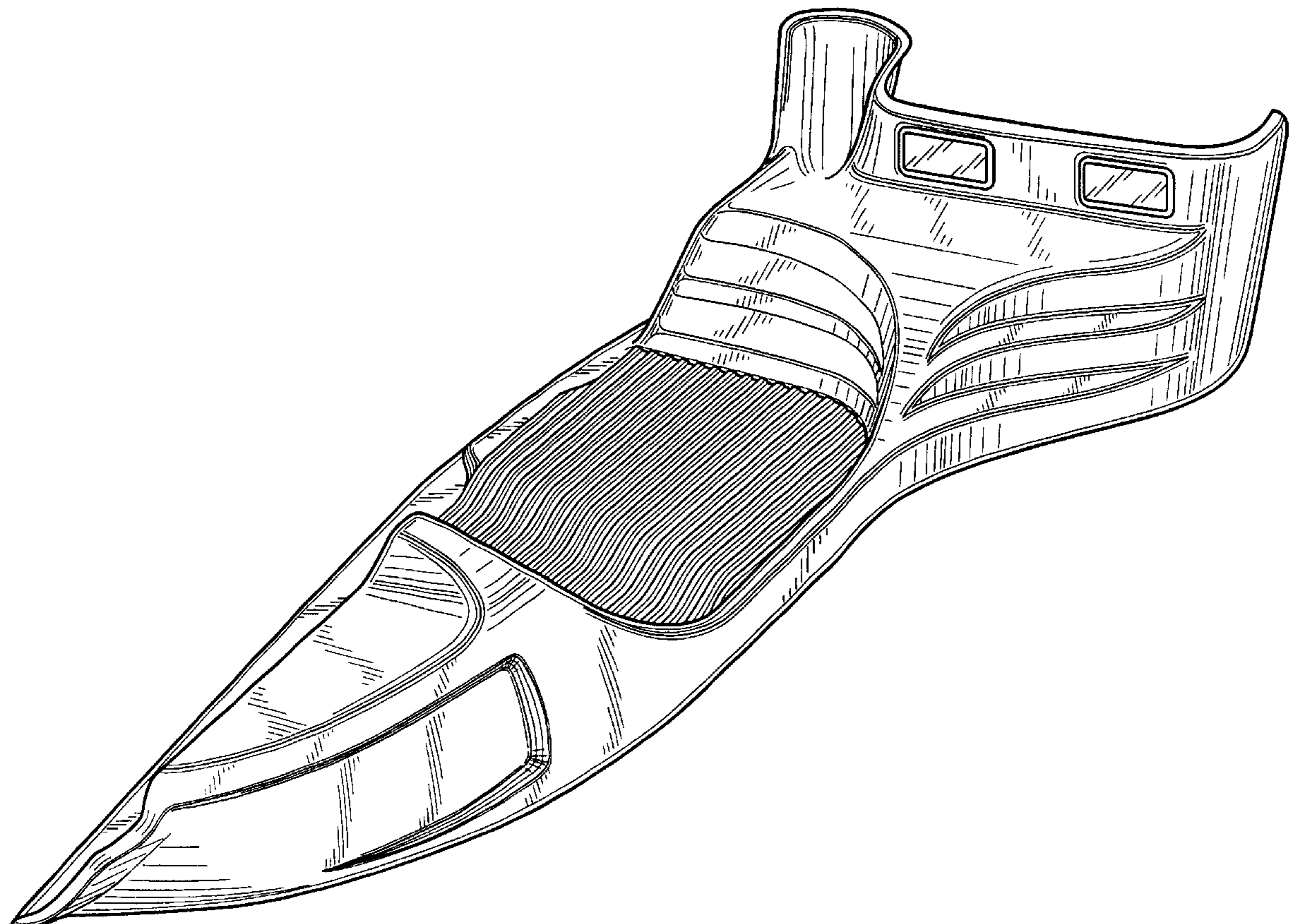
(57) **CLAIM**

The ornamental design for running boards, as shown and described.

DESCRIPTION

FIG. 1 is a perspective view of a right side running board, the left side running board being a mirror image;
 FIG. 2 is a top plan view of the running boards;
 FIG. 3 is a right side elevation view of the running boards;
 FIG. 4 is a left side elevation view of the running boards;
 and,
 FIG. 5 is a front elevation view of the running boards.
 The broken line showing of environment is for illustrative purposes only and forms no part of the claimed design.

1 Claim, 5 Drawing Sheets



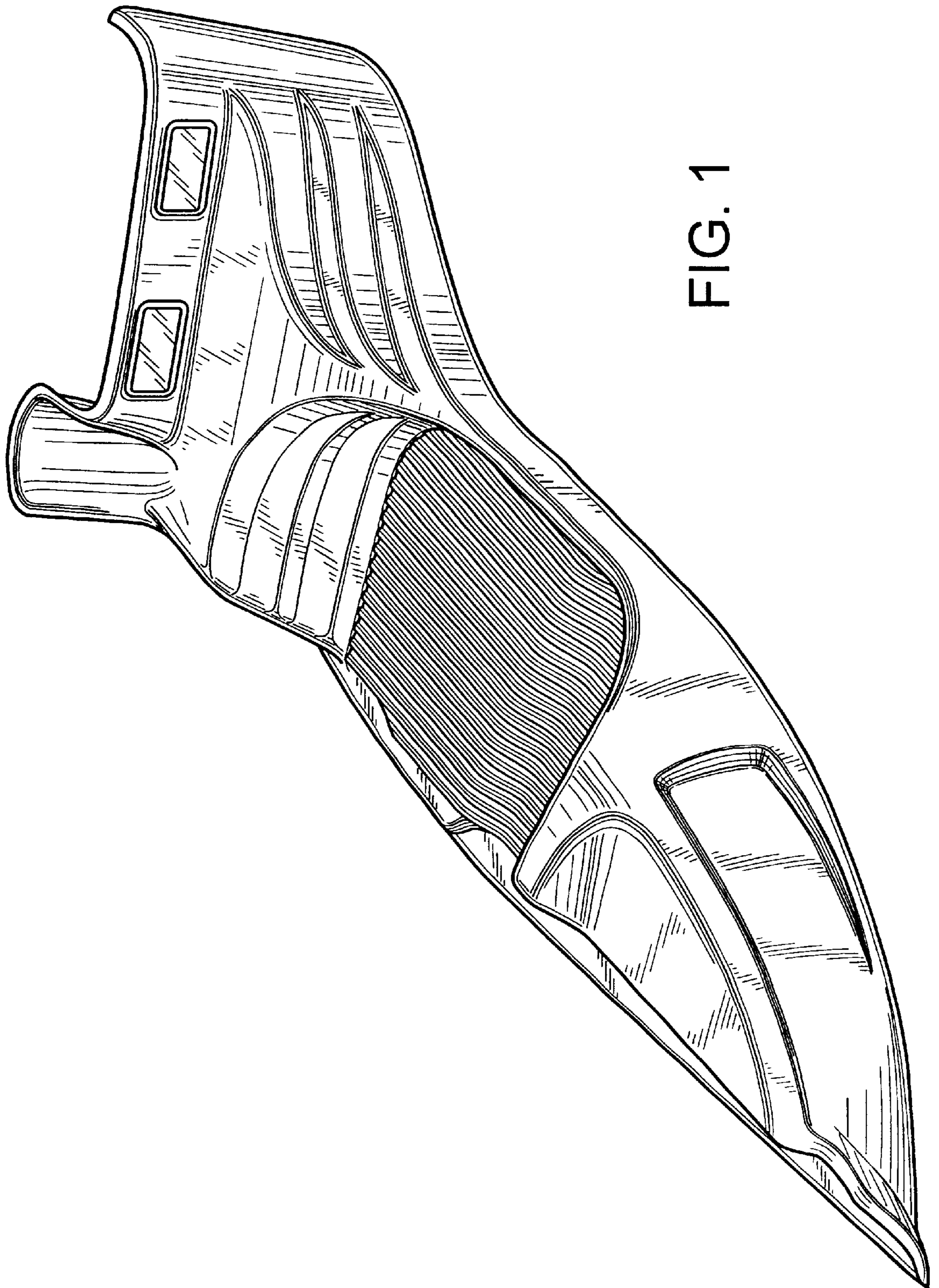
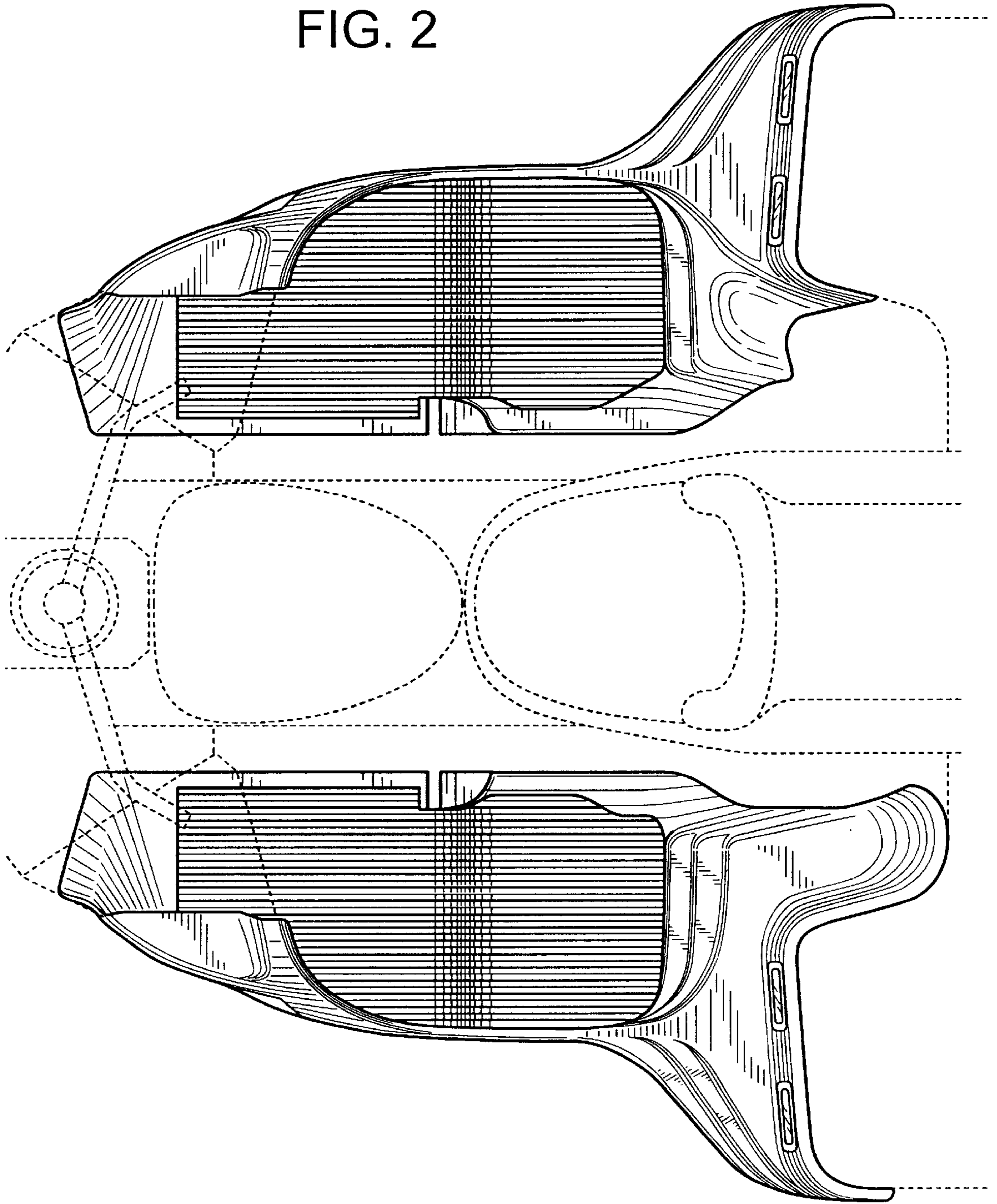


FIG. 1

FIG. 2



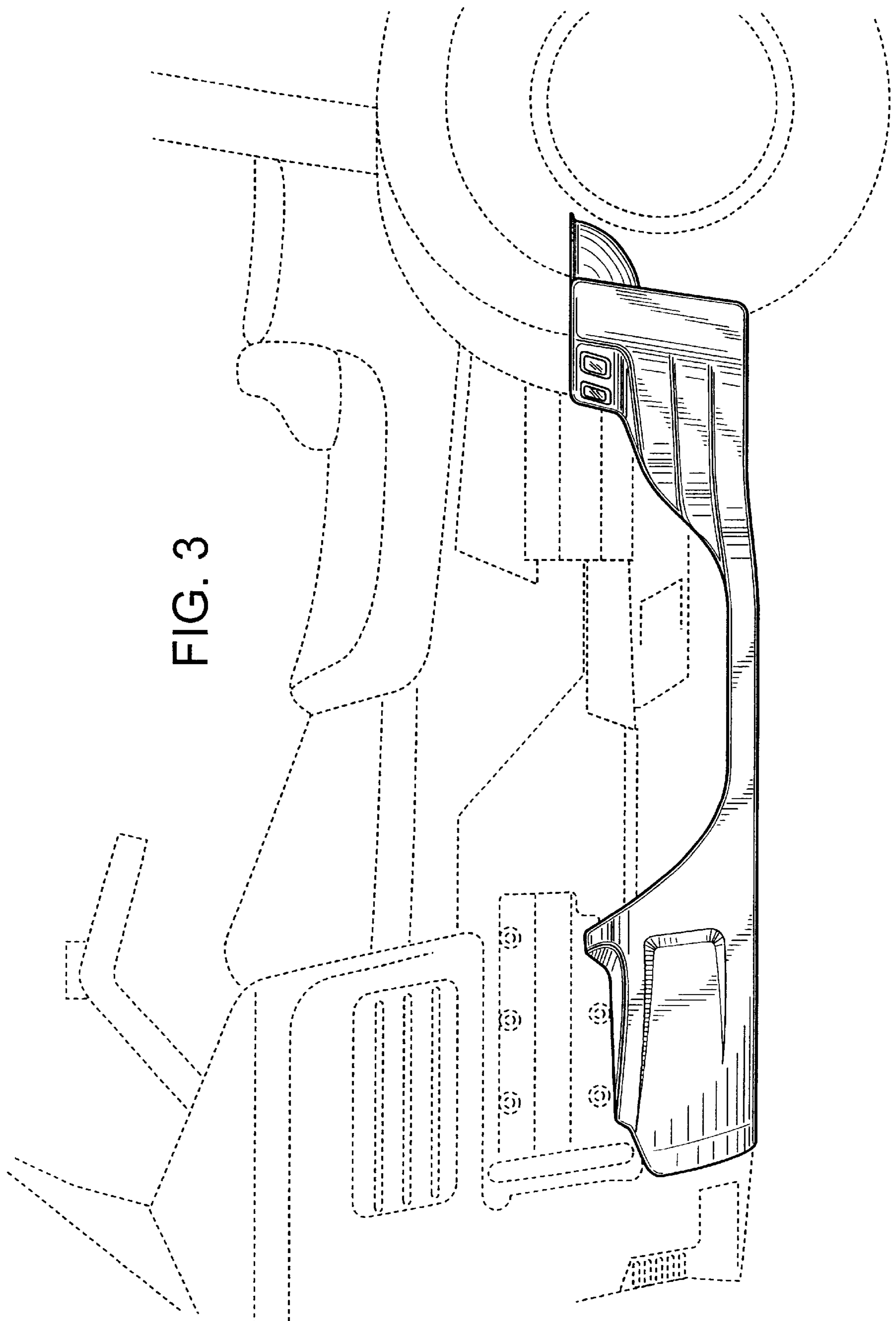


FIG. 3

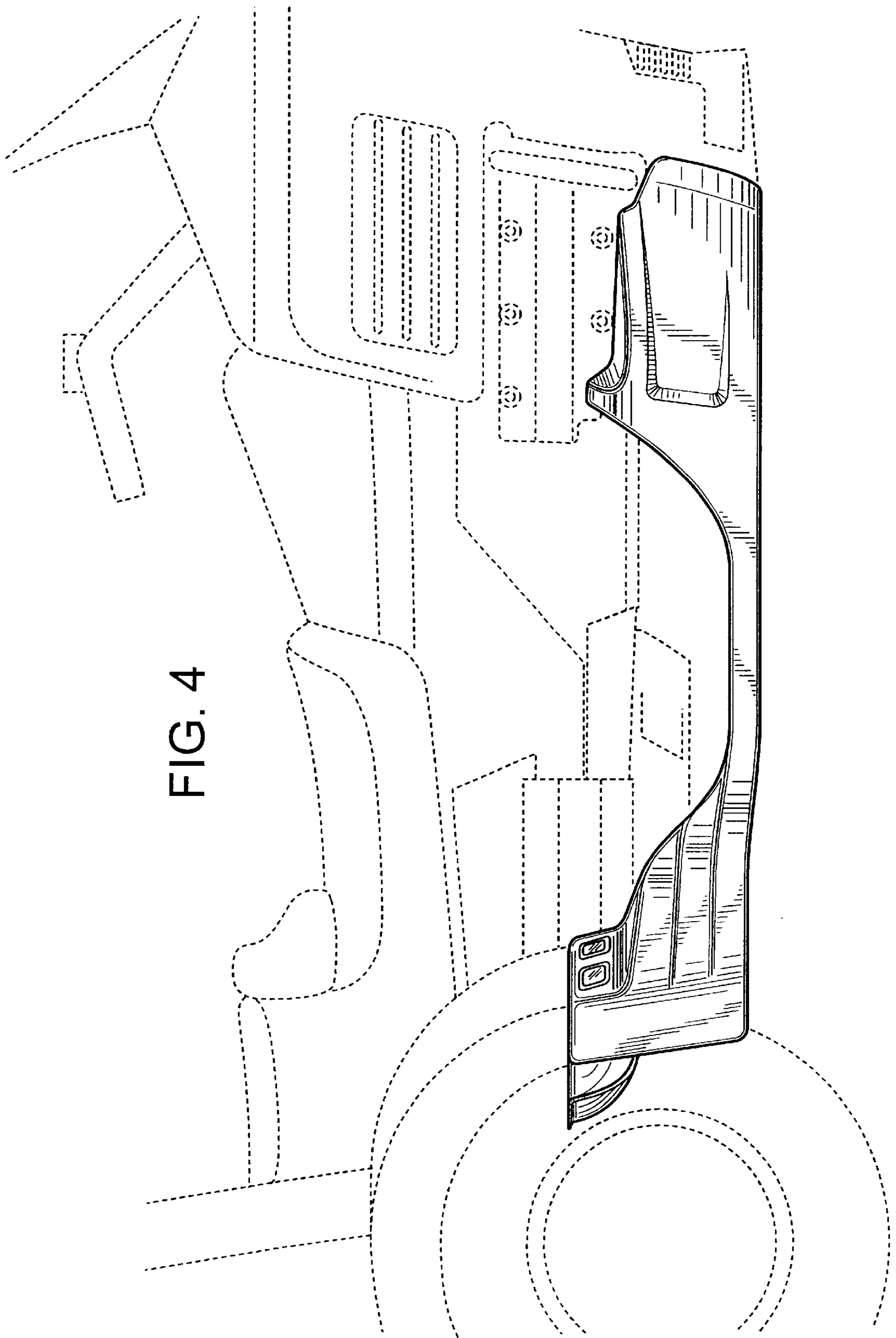


FIG. 4

FIG. 5

