



US00D446755B1

(12) **United States Design Patent**
Adams et al.

(10) **Patent No.:** **US D446,755 S**

(45) **Date of Patent:** **** Aug. 21, 2001**

(54) **HITCH MOUNTABLE CARGO CARRIER**

(75) Inventors: **Katherine A. Adams**, Mishawaka;
Jason R. Moldthan, Osceola; **Richard W. McCoy**, Granger, all of IN (US)

(73) Assignee: **Reese Products, Inc.**, Elkhart, IN (US)

(**) Term: **14 Years**

(21) Appl. No.: **29/131,943**

(22) Filed: **Oct. 30, 2000**

D. 435,495	*	12/2000	McCoy et al.	D12/162
D. 436,575	*	1/2001	McCoy et al.	D12/406
D. 437,285	*	2/2001	McCoy et al.	D12/406
4,057,125	*	11/1977	Kroft	280/166 X
4,089,276	*	5/1978	Enos	108/44
4,234,284	*	11/1980	Hauff	224/42.44 X
4,274,648	*	6/1981	Robins	280/166
4,394,947	*	7/1983	Tartaglia	224/42.43
4,744,590	*	5/1988	Chesney	280/769
4,813,584	*	3/1989	Wiley	224/42.44
4,906,015	*	3/1990	Lacroix et al.	280/415.1
5,215,234	*	6/1993	Pasley	224/42.43
5,368,209	*	11/1994	Hill	224/42.44

* cited by examiner

Related U.S. Application Data

(63) Continuation-in-part of application No. 29/113,161, filed on Oct. 29, 1999, now Pat. No. Des. 436,575.

(51) **LOC (7) Cl.** **12-16**

(52) **U.S. Cl.** **D12/162**

(58) **Field of Search** D12/162, 172,
D12/400, 406-414.1; D3/23, 38; 224/504-505,
518-519, 521-526, 528-536, 42.43-42.44,
42.07-42.08; 280/163, 166, 639, 30, 769,
491.2, 415.1, 47.34; 296/37.1, 37.2; 108/129-132,
152, 44; 182/90-92, 206

Primary Examiner—Stacia Cadmus

(74) *Attorney, Agent, or Firm*—Leon E. Redman; Lloyd D. Doigan

(57) **CLAIM**

The ornamental design for a hitch mountable cargo carrier, as shown and described.

DESCRIPTION

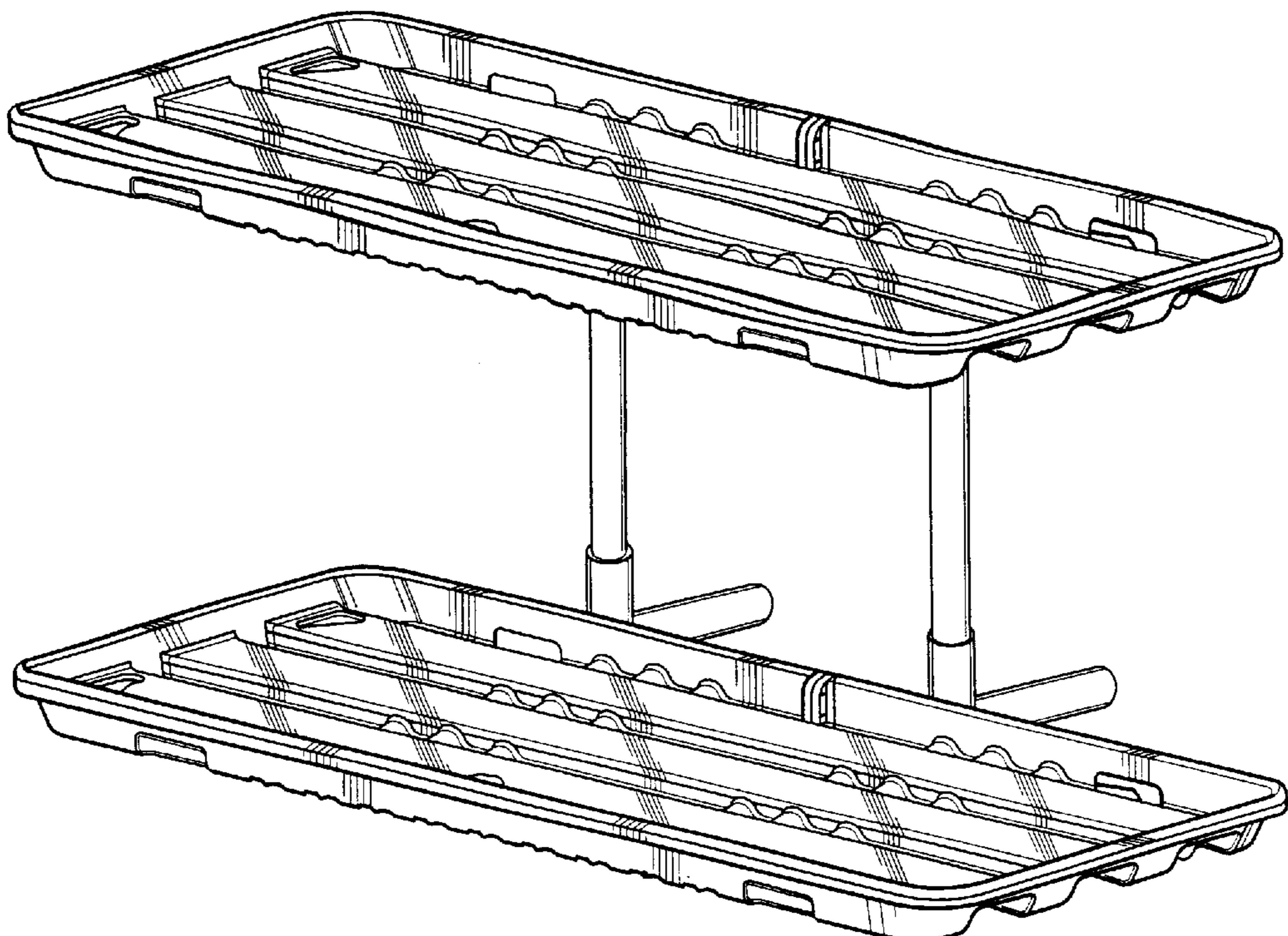
FIG. 1 is a perspective view of the hitch mountable cargo carrier showing our new design;
FIG. 2 is a top plan view thereof;
FIG. 3 is a rear elevational view thereof;
FIG. 4 is a bottom plan view thereof;
FIG. 5 is a left side elevational view thereof, the right side being a mirror image of the left shown; and,
FIG. 6 is a front elevational view thereof.

(56) **References Cited**

U.S. PATENT DOCUMENTS

D. 305,632	*	1/1990	Kraklio	D12/400
D. 356,200	*	3/1995	Kern et al.	D34/38 X
D. 370,452	*	6/1996	Beasley	D12/203
D. 398,434	*	9/1998	Agtuca	D34/38 X

1 Claim, 3 Drawing Sheets



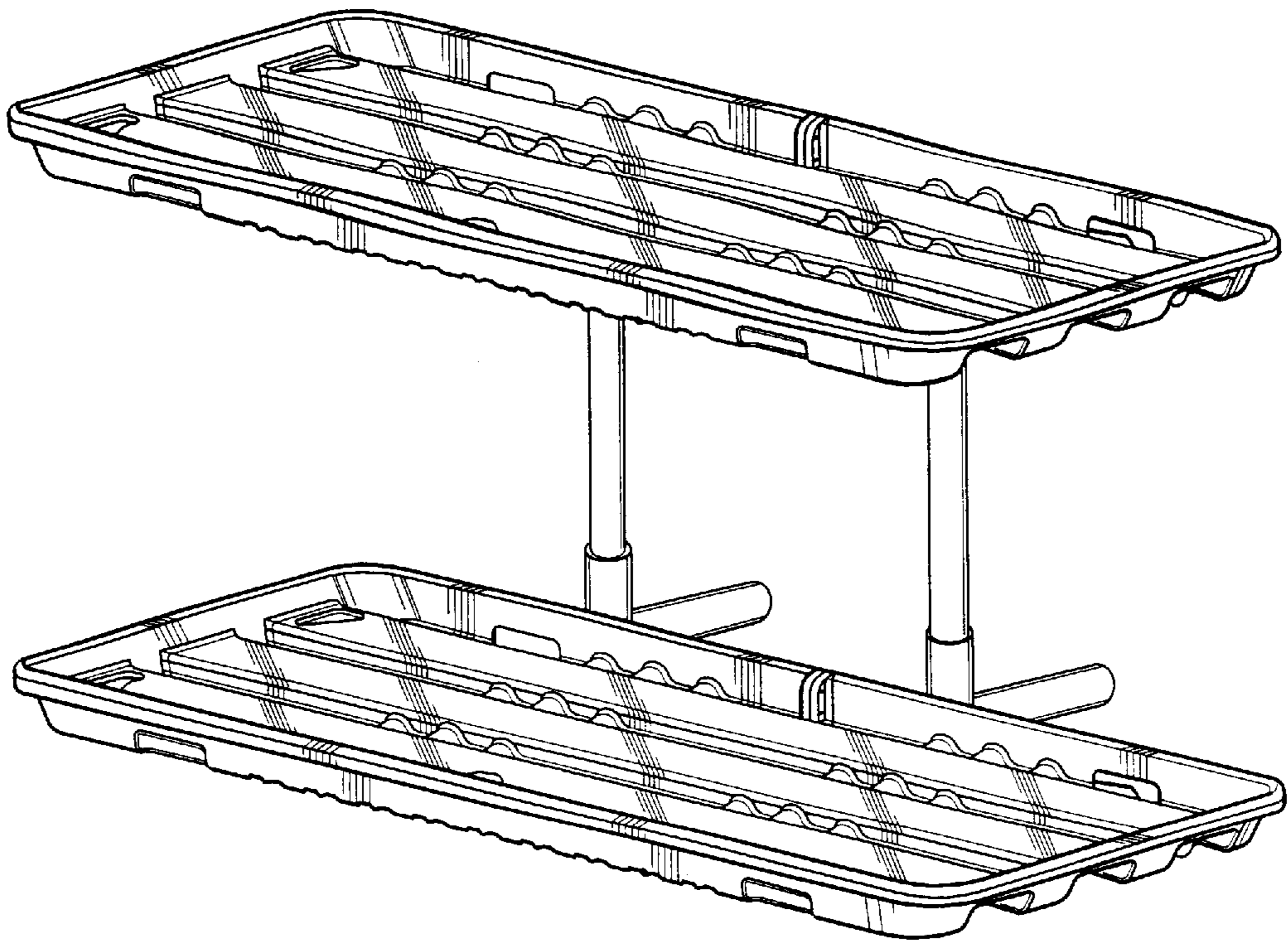


Fig-1

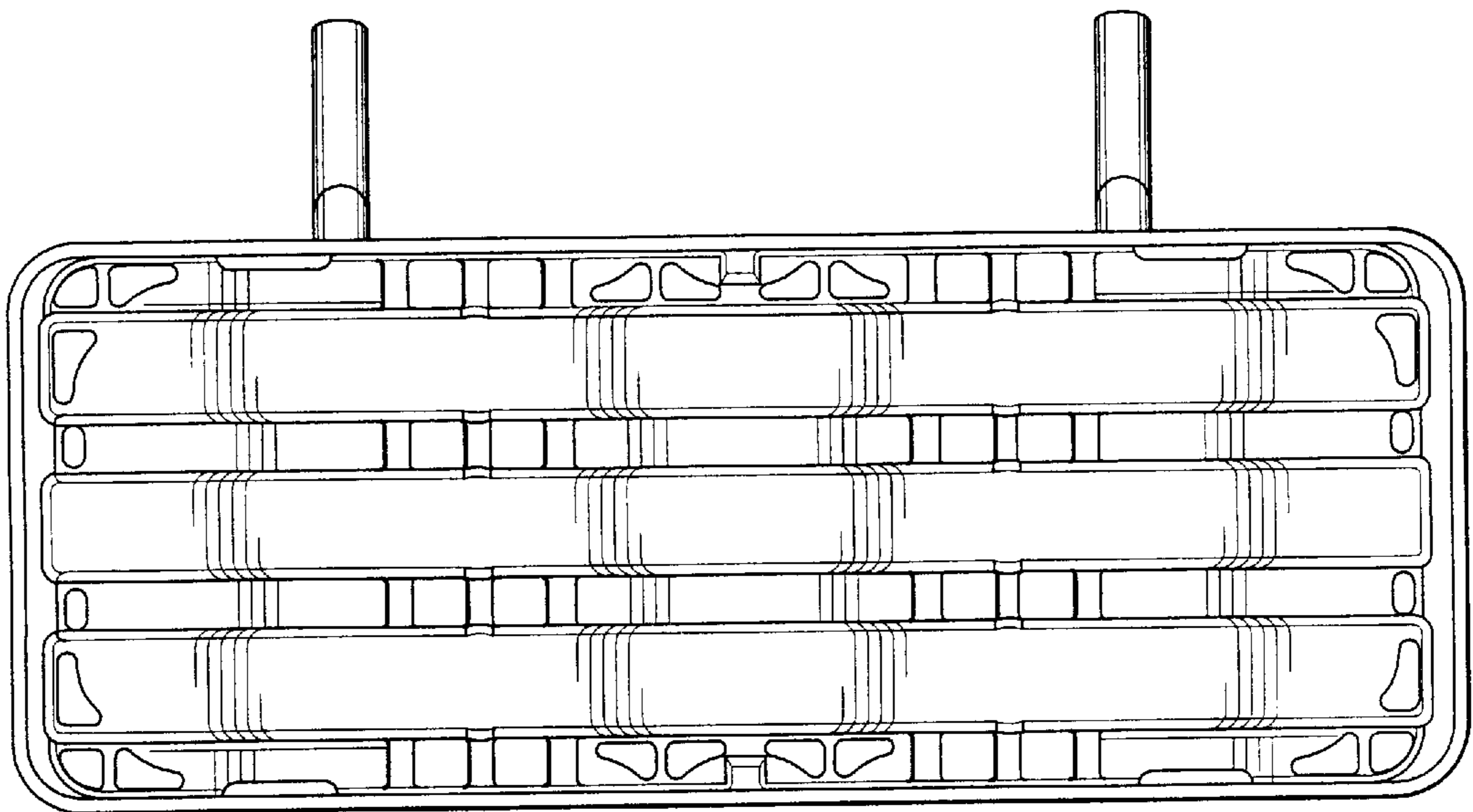


Fig-2

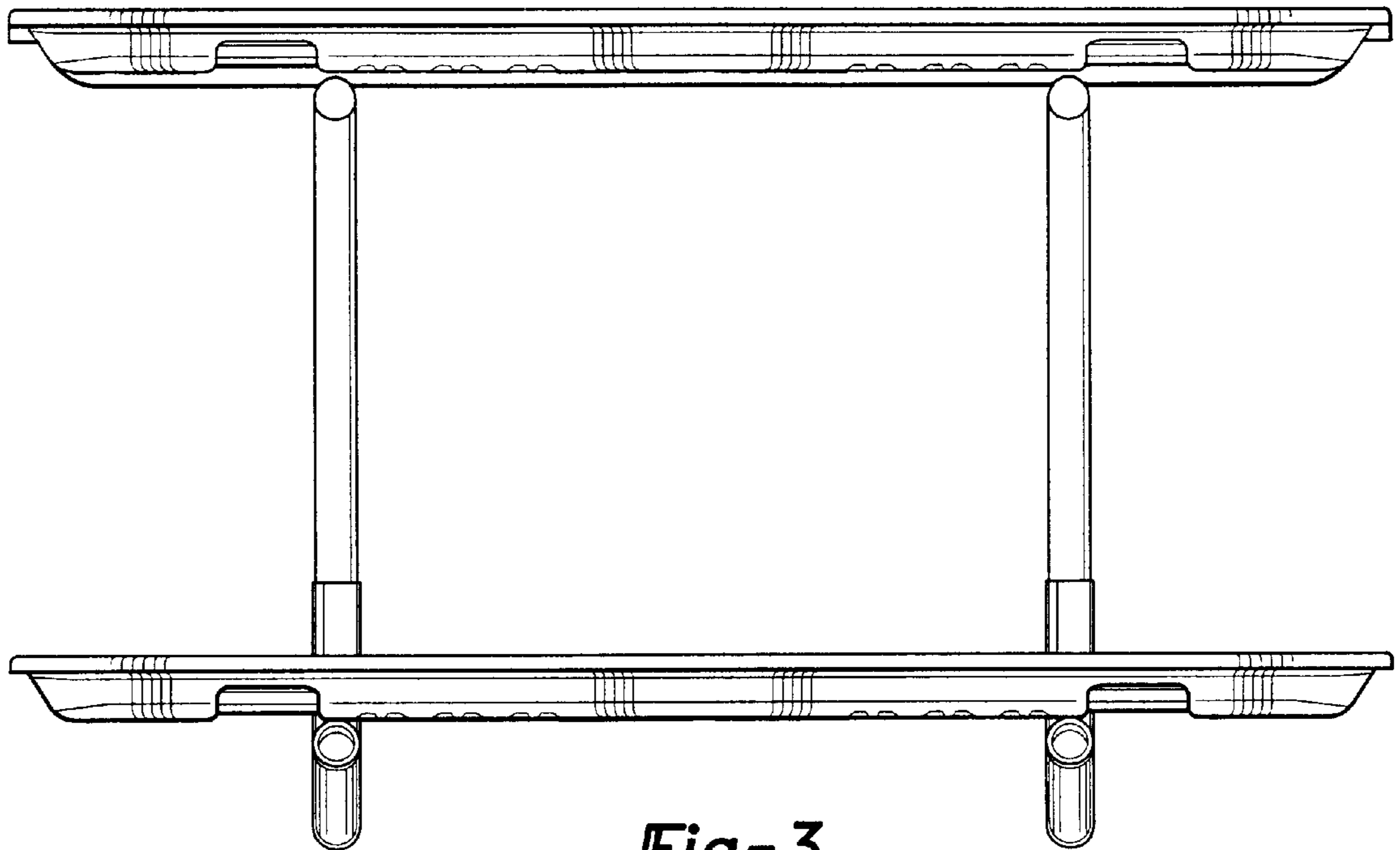


Fig-3

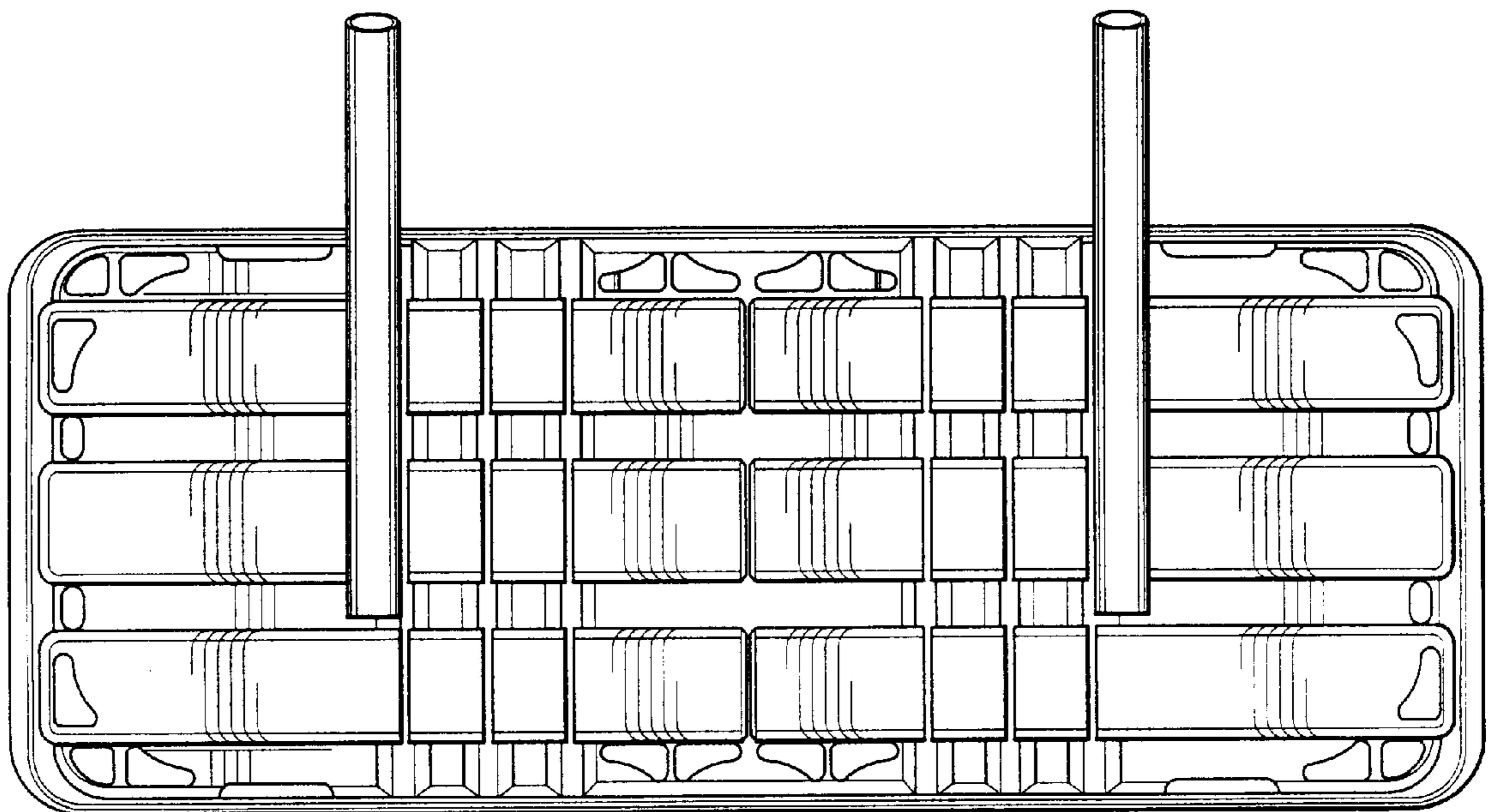


Fig-4

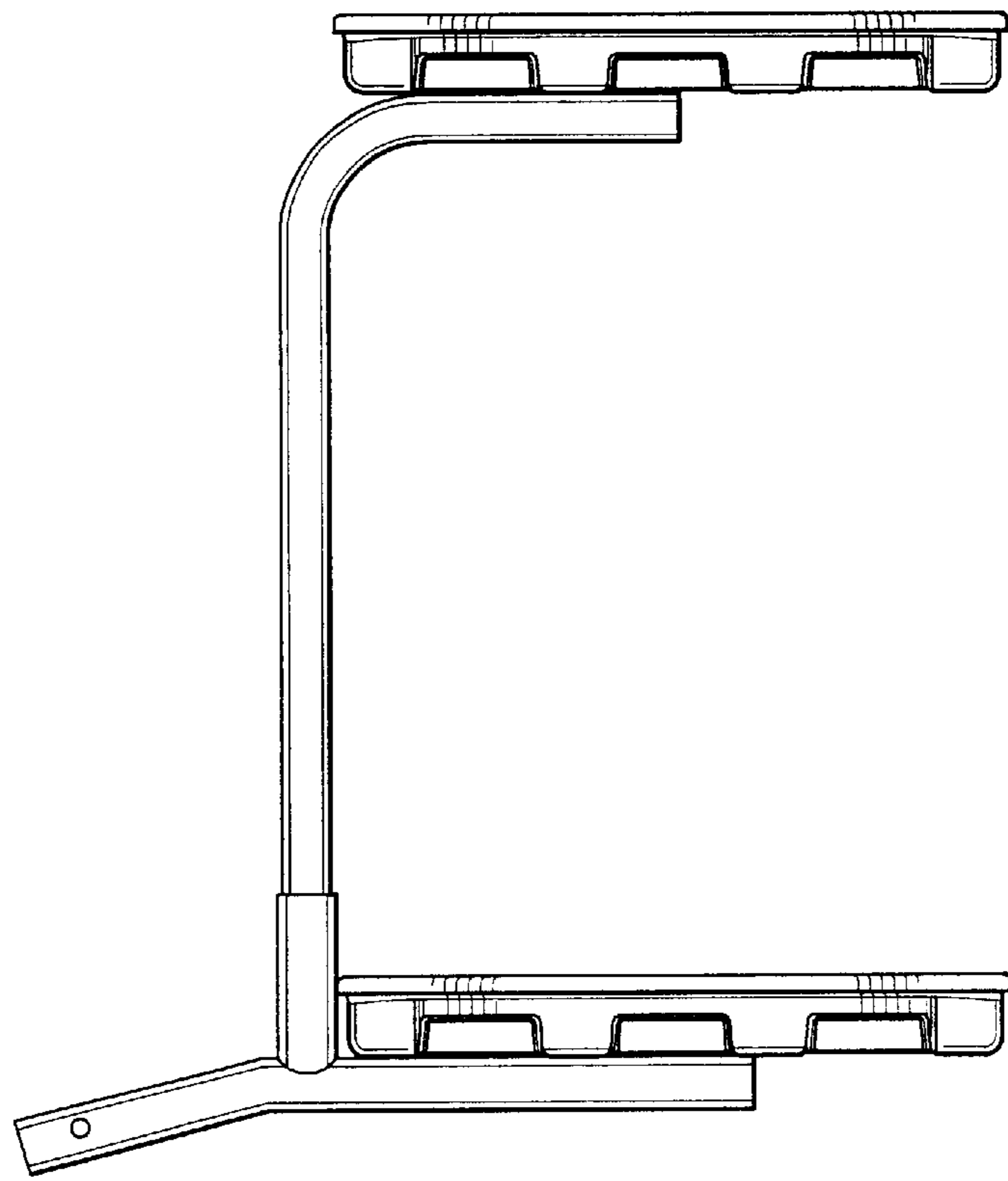


Fig-5

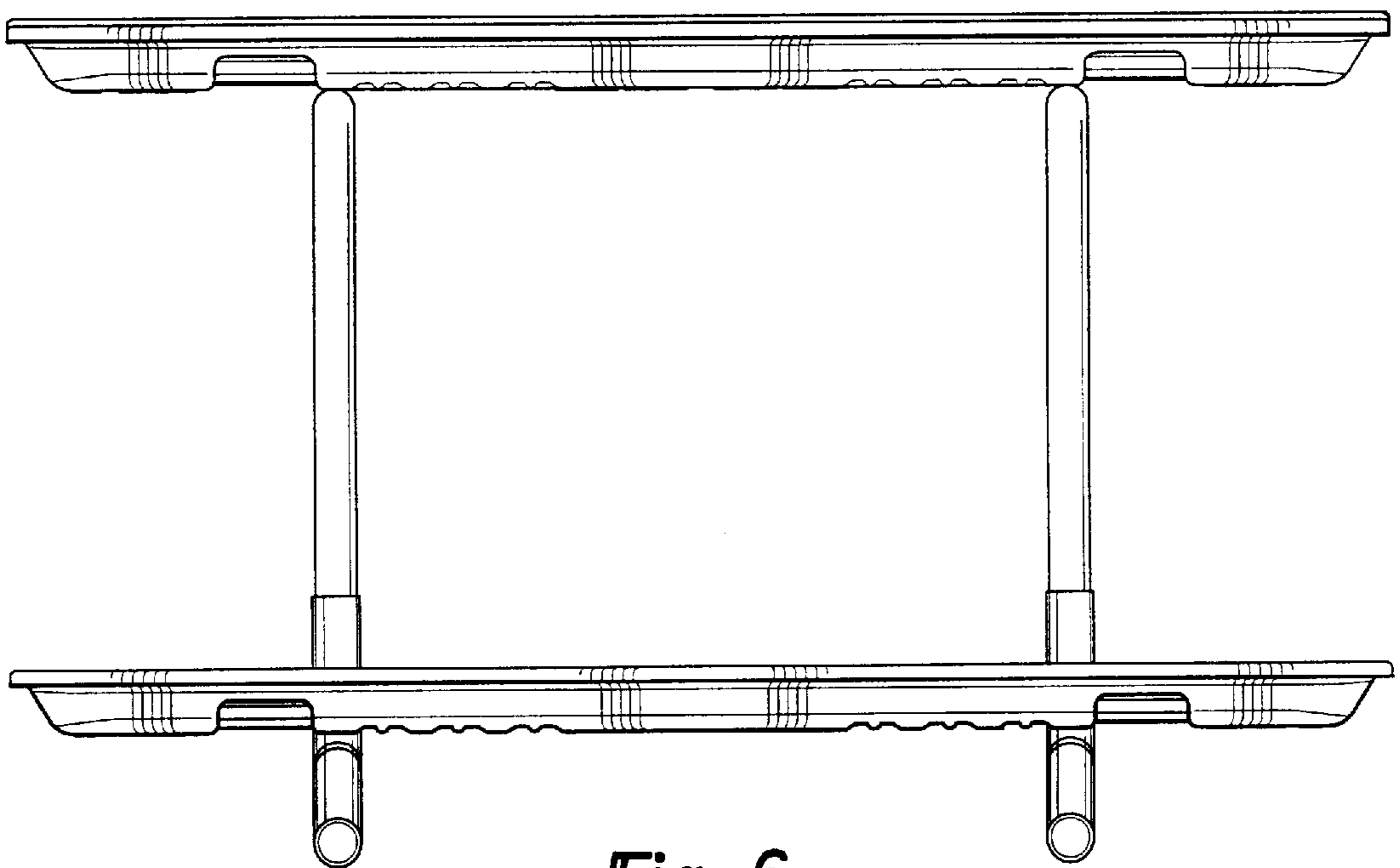


Fig-6