



US00D446746B1

(12) **United States Design Patent**
Simmons

(10) **Patent No.:** **US D446,746 S**

(45) **Date of Patent:** **** Aug. 21, 2001**

(54) **TREE POT**

(75) **Inventor:** **Aaron Simmons**, Miami Beach, FL
(US)

(73) **Assignee:** **TreePot.com, Inc.**, Cross Lanes, WV
(US)

(**) **Term:** **14 Years**

(21) **Appl. No.:** **29/123,660**

(22) **Filed:** **Jun. 23, 2000**

(51) **LOC (7) Cl.** **11-02**

(52) **U.S. Cl.** **D11/143; D11/153**

(58) **Field of Search** D11/143, 144,
D11/145, 148, 152, 153, 154; 47/41.01,
42, 44, 47, 65, 65.6, 66.1, 66.6, 67, 69,
70, 71, 79, 80, 81; 206/423

(56) **References Cited**

U.S. PATENT DOCUMENTS

- D. 50,329 * 2/1917 White D11/148
- 114,638 * 5/1871 Booher 47/66.1
- D. 194,000 * 11/1962 Adams et al. D11/143
- D. 278,521 * 4/1985 Baird et al. D11/153
- D. 326,830 * 6/1992 Vaughn D11/143

- D. 383,417 * 9/1997 Davis D11/152
- D. 400,823 * 11/1998 Bagshaw D11/152
- 1,077,423 * 11/1913 Myers 47/67
- 2,881,939 * 4/1959 Nelson 217/12 R
- 4,708,256 * 11/1987 Intardonato 220/23.4
- 5,294,012 * 3/1994 Shott et al. 220/23.4
- 6,161,333 * 12/2000 Poston 47/86

* cited by examiner

Primary Examiner—Doris V. Coles

Assistant Examiner—Mimosa De

(74) *Attorney, Agent, or Firm*—J. Sancheuma; A. Bordas

(57) **CLAIM**

The ornamental design for a tree pot, as shown and described.

DESCRIPTION

FIG. 1 is a top plan view of a tree pot showing my new design;

FIG. 2 is a front elevational view thereof;

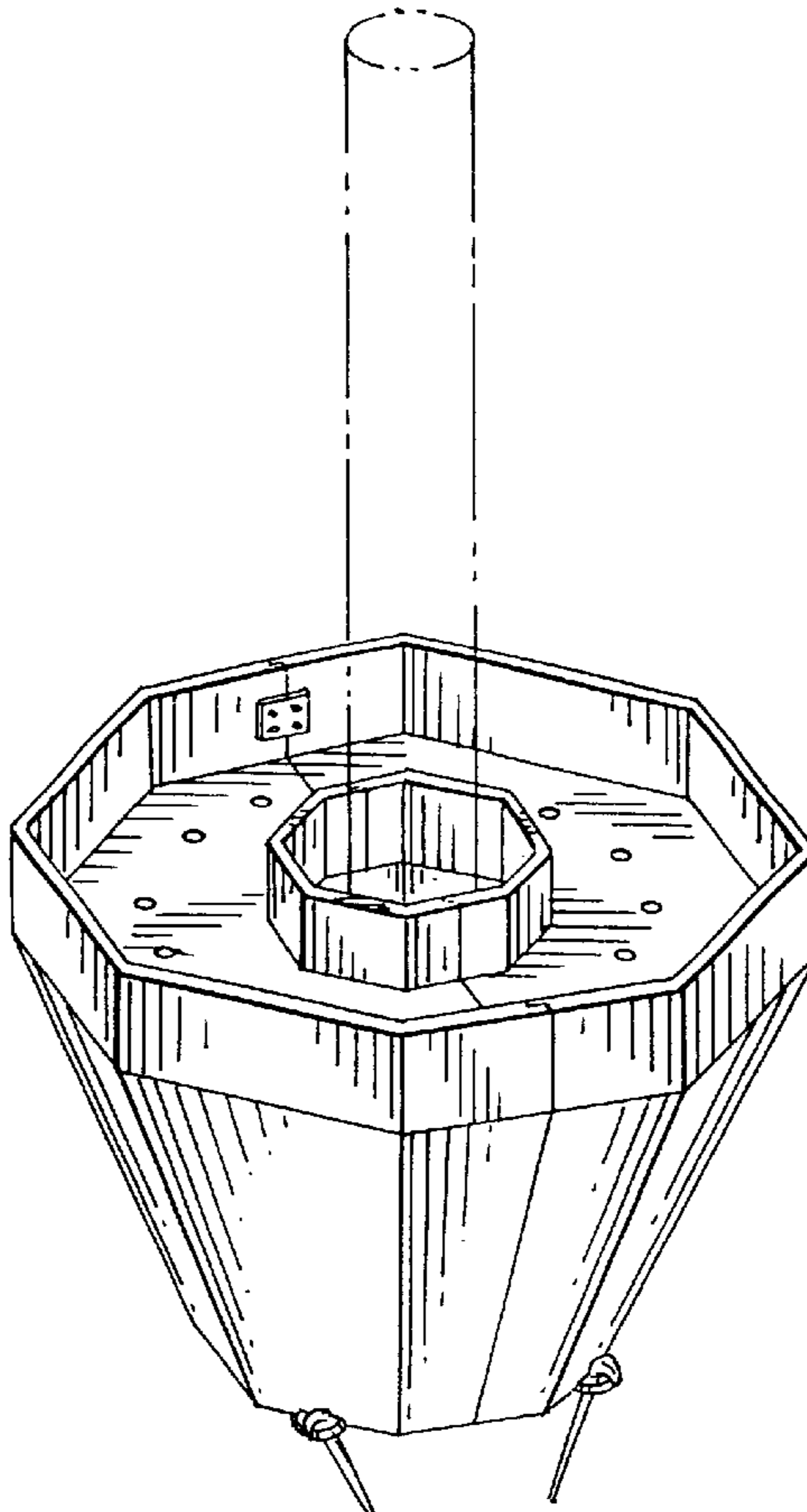
FIG. 3 is a bottom plan view thereof;

FIG. 4 is an exploded view thereof; and,

FIG. 5 is an isomeric view thereof.

The broken line shown in FIGS. 4 and 5 is for illustrative purposes only and forms no part of the claimed design.

1 Claim, 2 Drawing Sheets



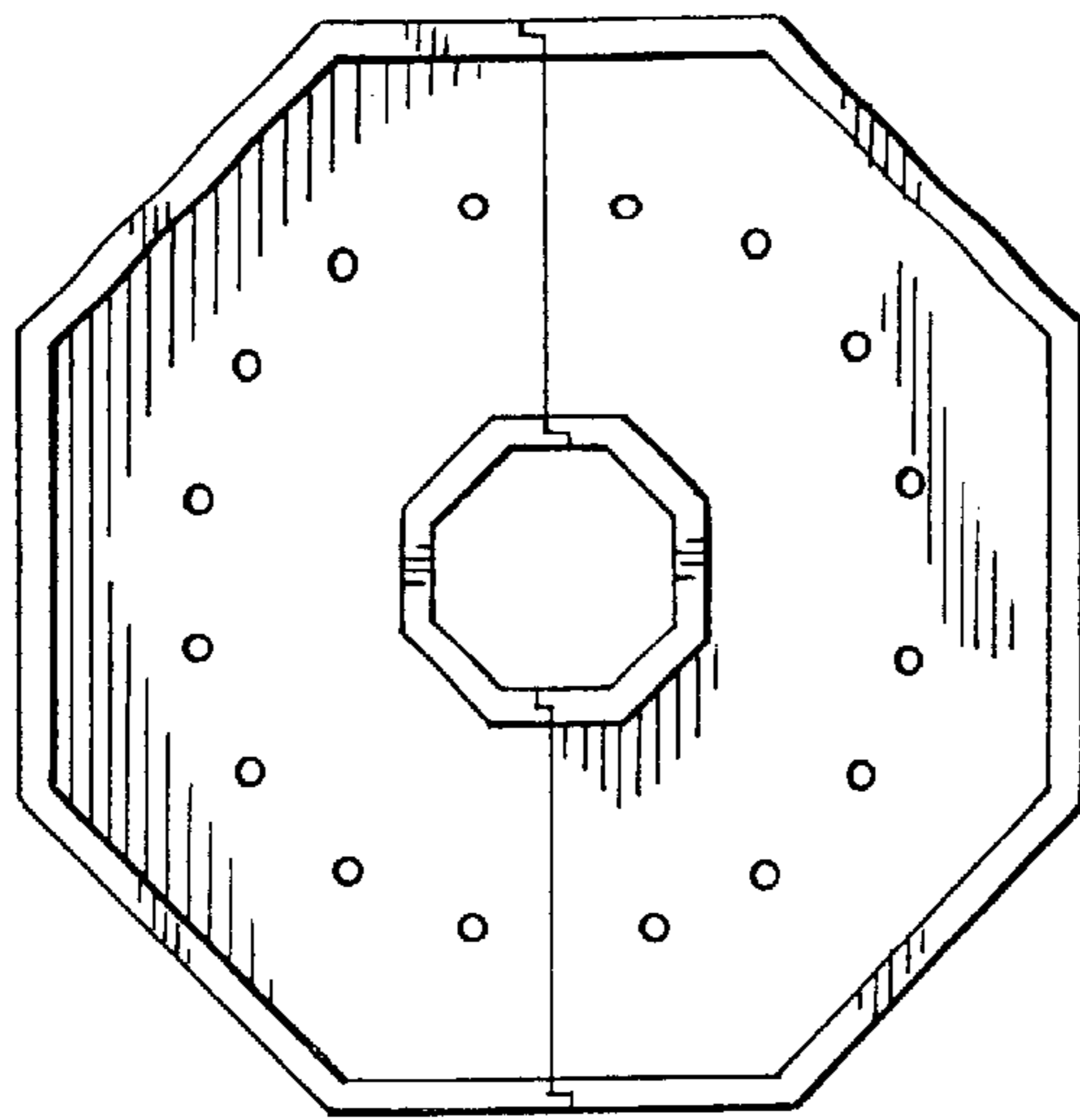


FIG. 1.

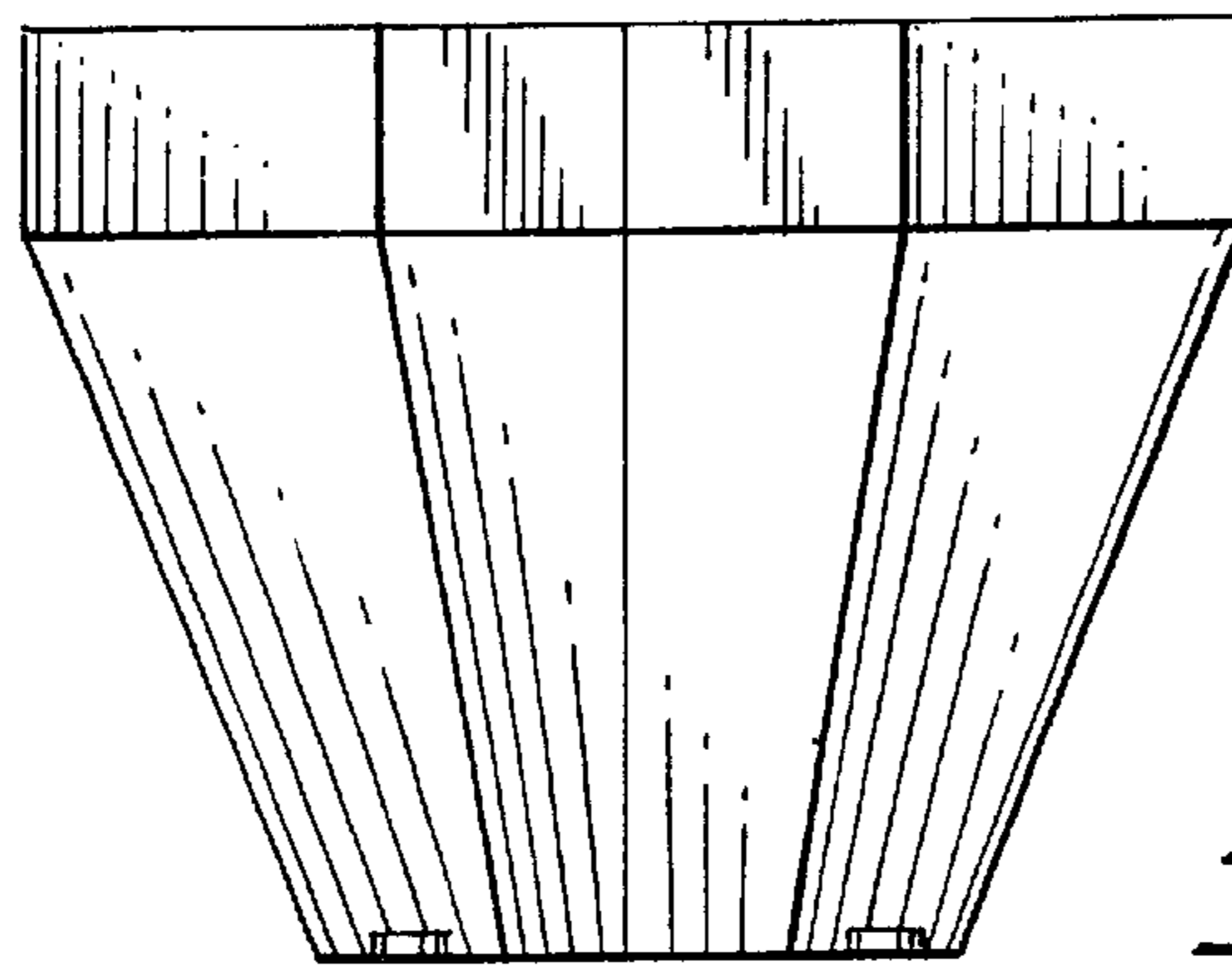


FIG. 2.

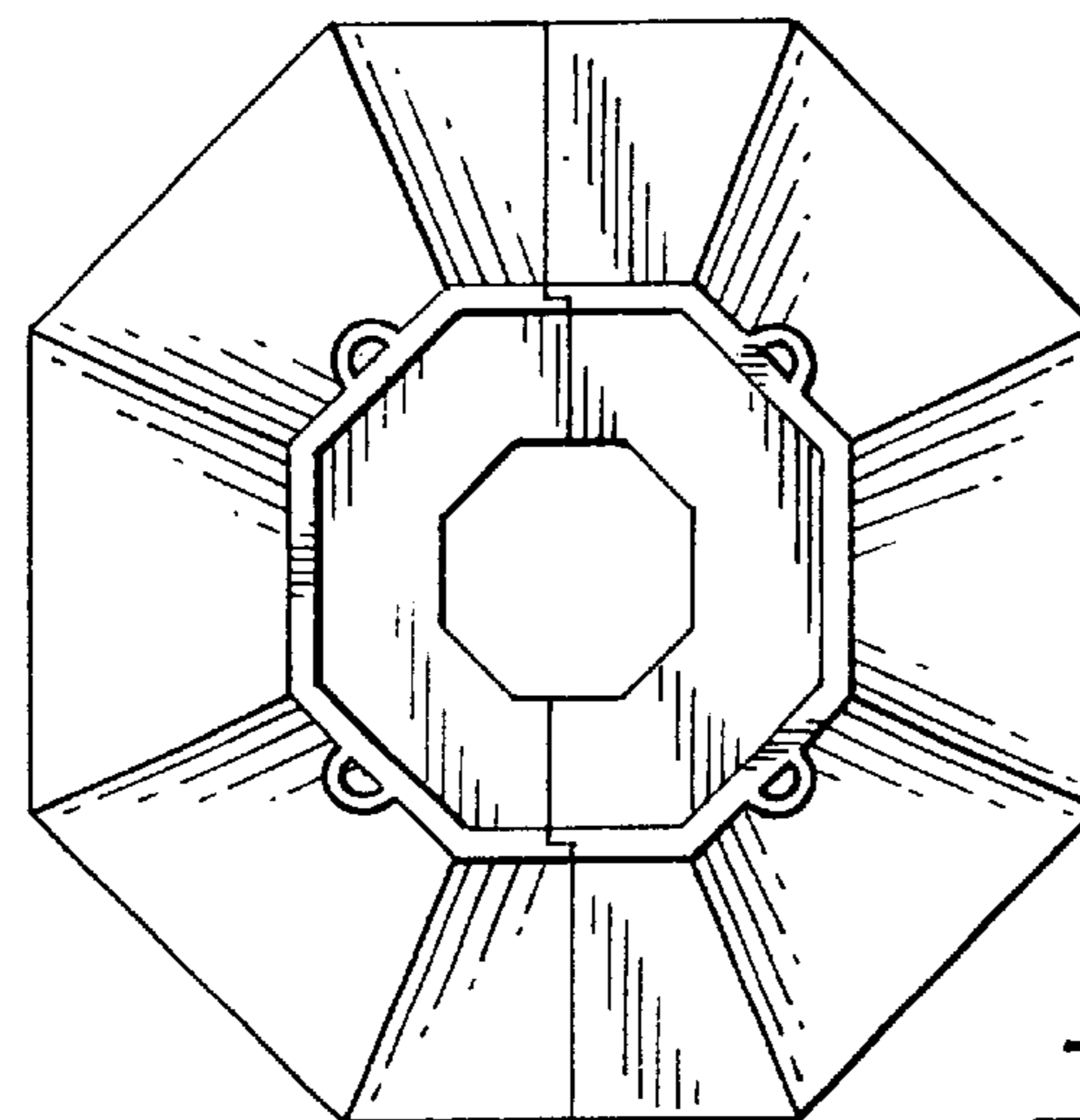


FIG. 3.

