



US00D446743B1

(12) **United States Design Patent**
Agosto

(10) **Patent No.:** **US D446,743 S**

(45) **Date of Patent:** **** Aug. 21, 2001**

(54) **JEWELRY CHARM**

D. 433,647 * 11/2000 Mahabeer D11/81

(75) Inventor: **Miguel Agosto**, Bronx, NY (US)

* cited by examiner

(73) Assignee: **JuWanda, Inc.**, Jackson Heights, NY (US)

Primary Examiner—Ralf Seifert

(74) *Attorney, Agent, or Firm*—Thomason, Moser, Patterson, LLP

(**) Term: **14 Years**

(57) **CLAIM**

(21) Appl. No.: **29/117,345**

The ornamental design for a jewelry charm, as shown and described.

(22) Filed: **Jan. 24, 2000**

DESCRIPTION

(51) **LOC (7) Cl.** **11-01**

(52) **U.S. Cl.** **D11/81**

(58) **Field of Search** D11/1, 2, 40, 43-44, D11/48, 78-82, 49, 50, 54, 102, 101, 107, 116, 62; 63/13, 14.1, 23

FIG. 1 is a front elevational view of a jewelry charm showing my new design;

FIG. 2 is a side elevational view of the left side thereof;

FIG. 3 is a rear elevational view thereof;

FIG. 4 is a front elevational view thereof;

FIG. 5 is a bottom plan view thereof; and,

FIG. 6 is a top plan view thereof.

It being understood that the broken lines are for illustrative purposes only.

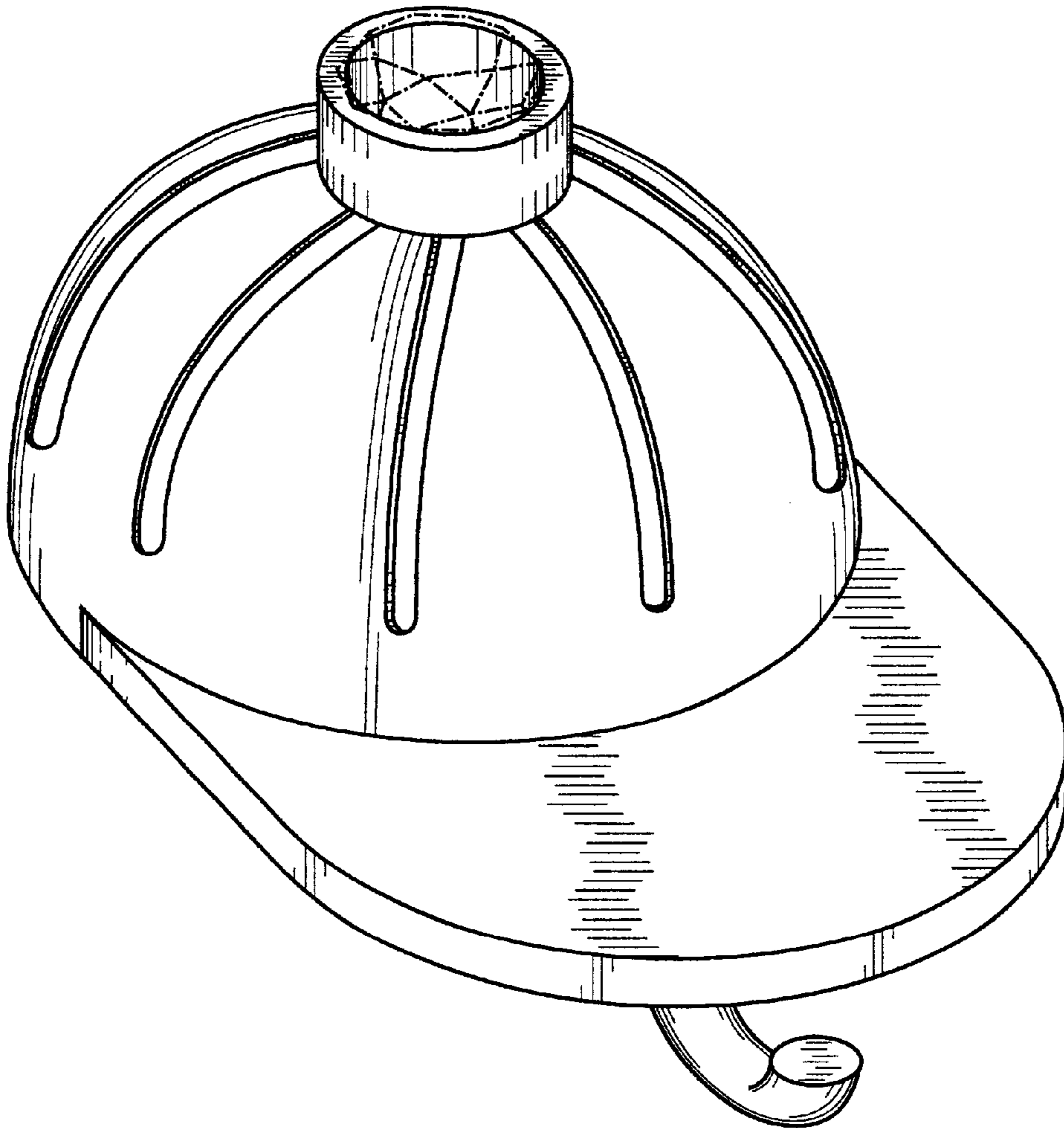
(56) **References Cited**

U.S. PATENT DOCUMENTS

D. 301,990 * 7/1989 Webb D11/81

D. 321,787 * 11/1991 Kraus D3/211

1 Claim, 3 Drawing Sheets



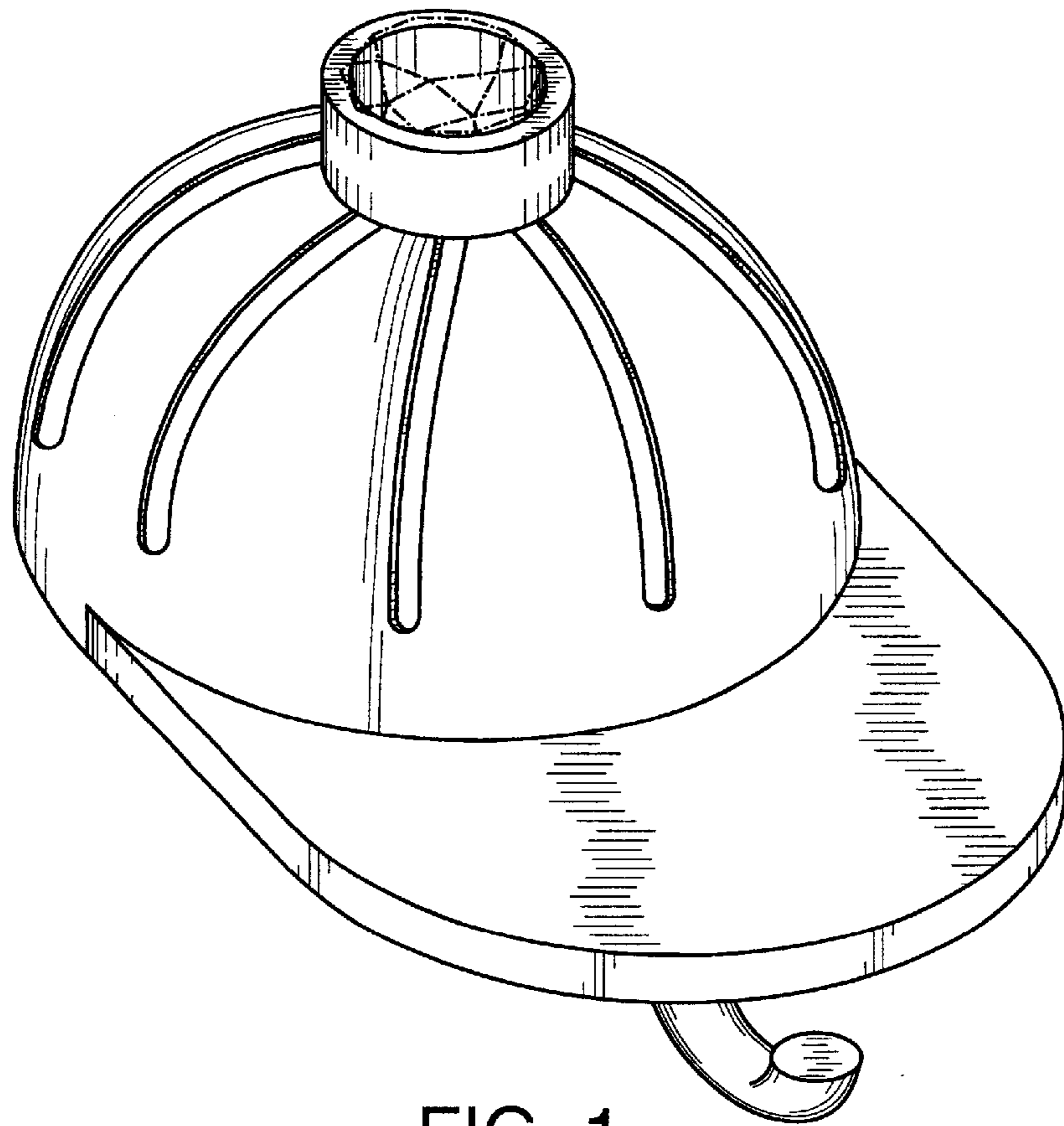


FIG. 1

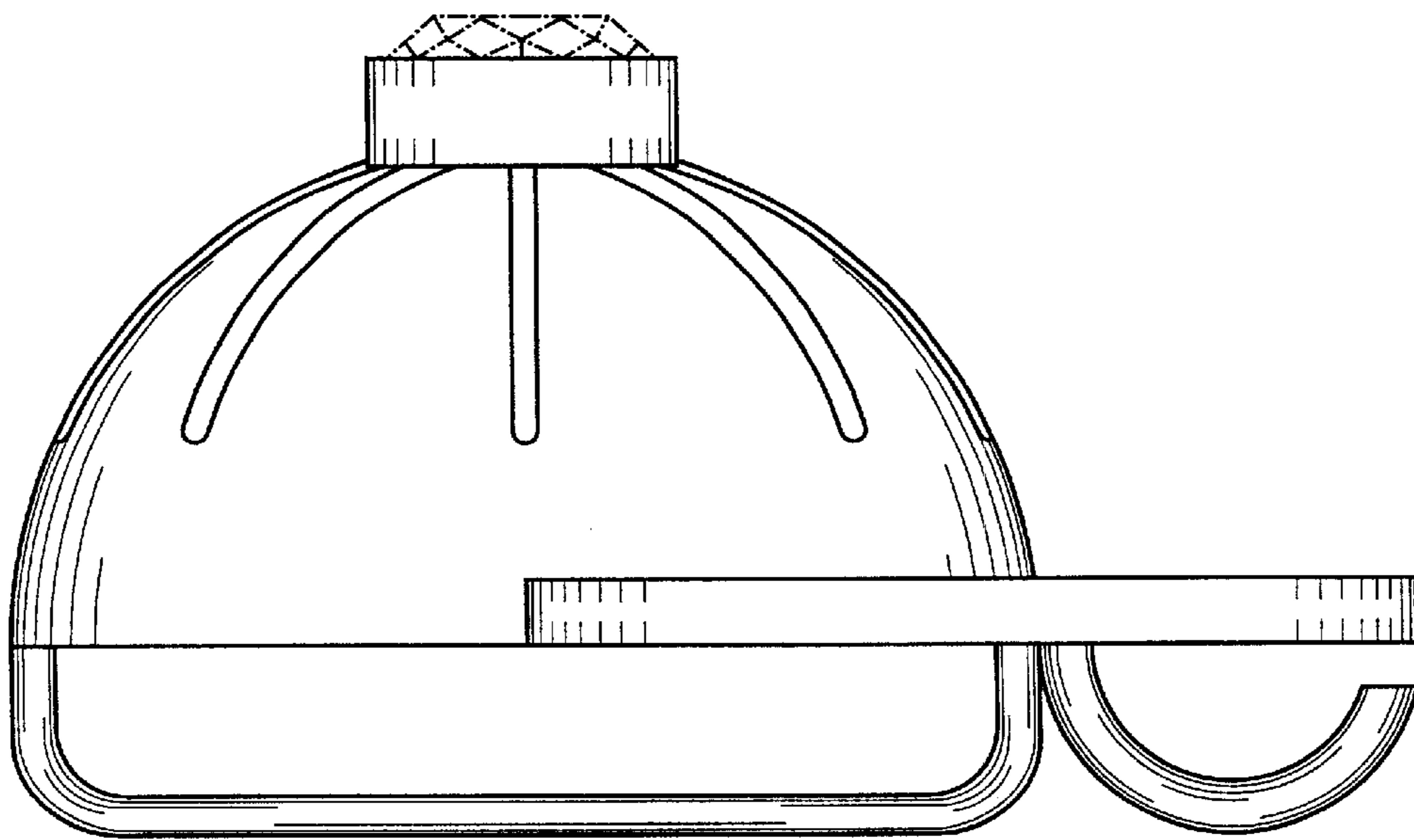


FIG. 2

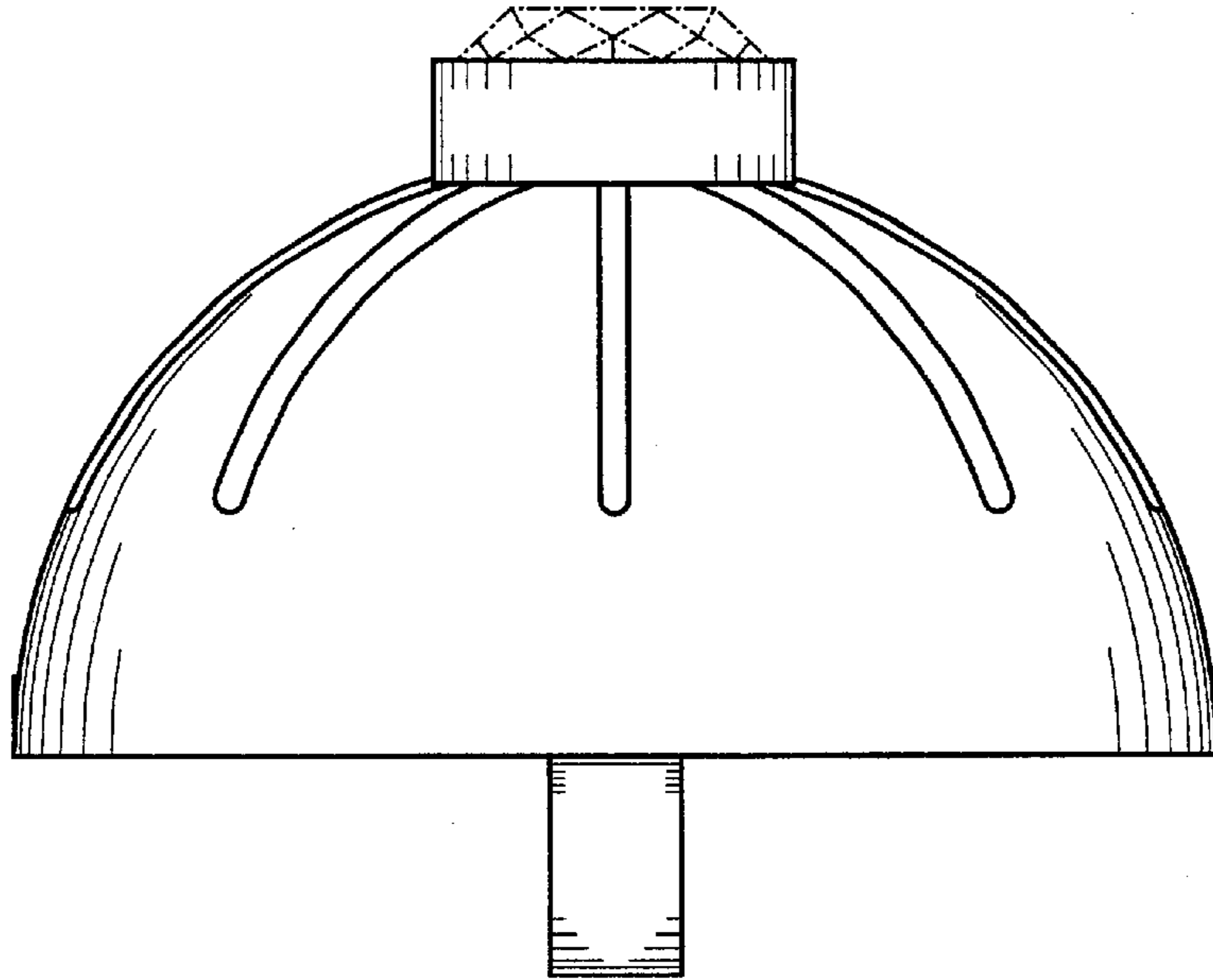


FIG. 3

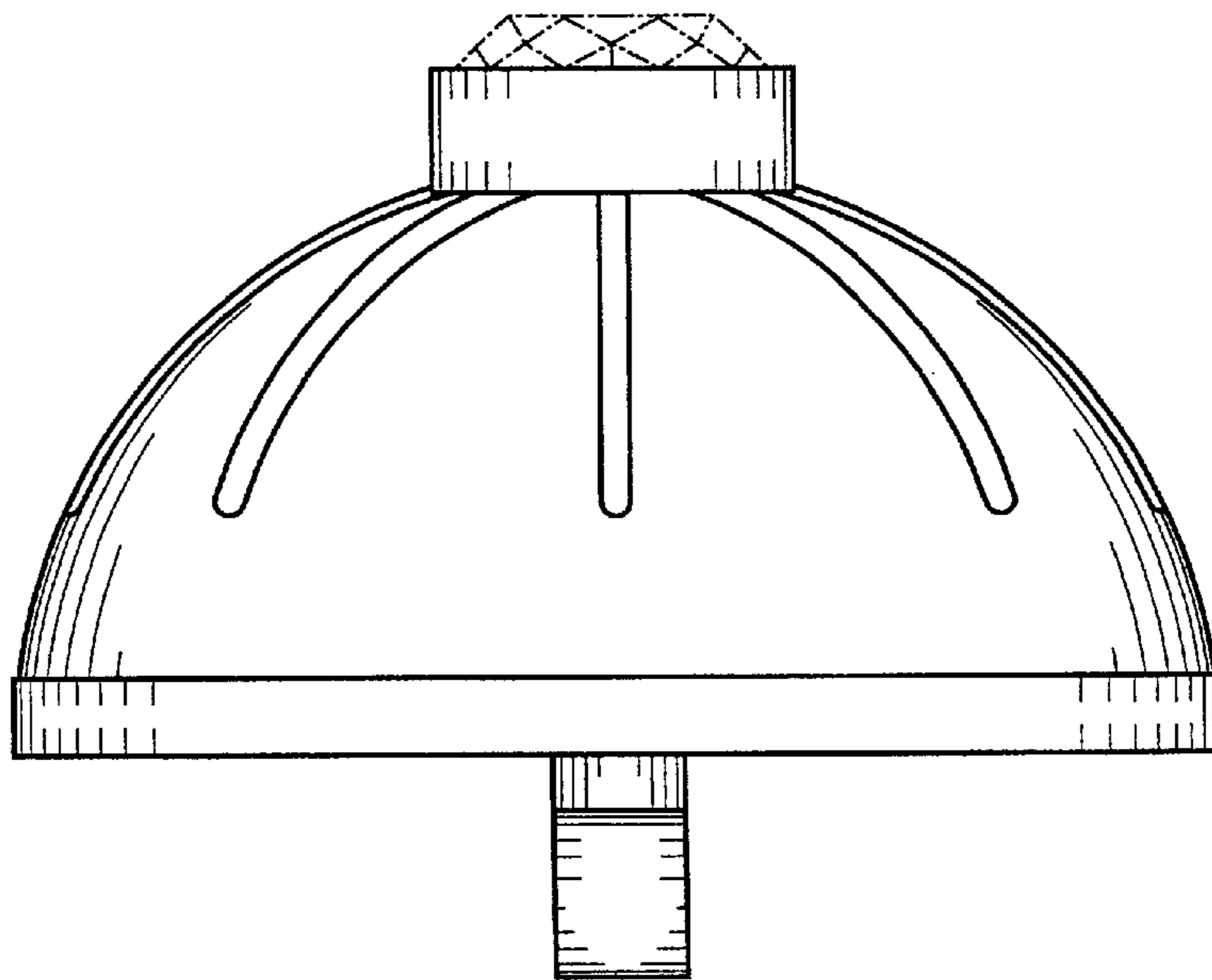


FIG. 4

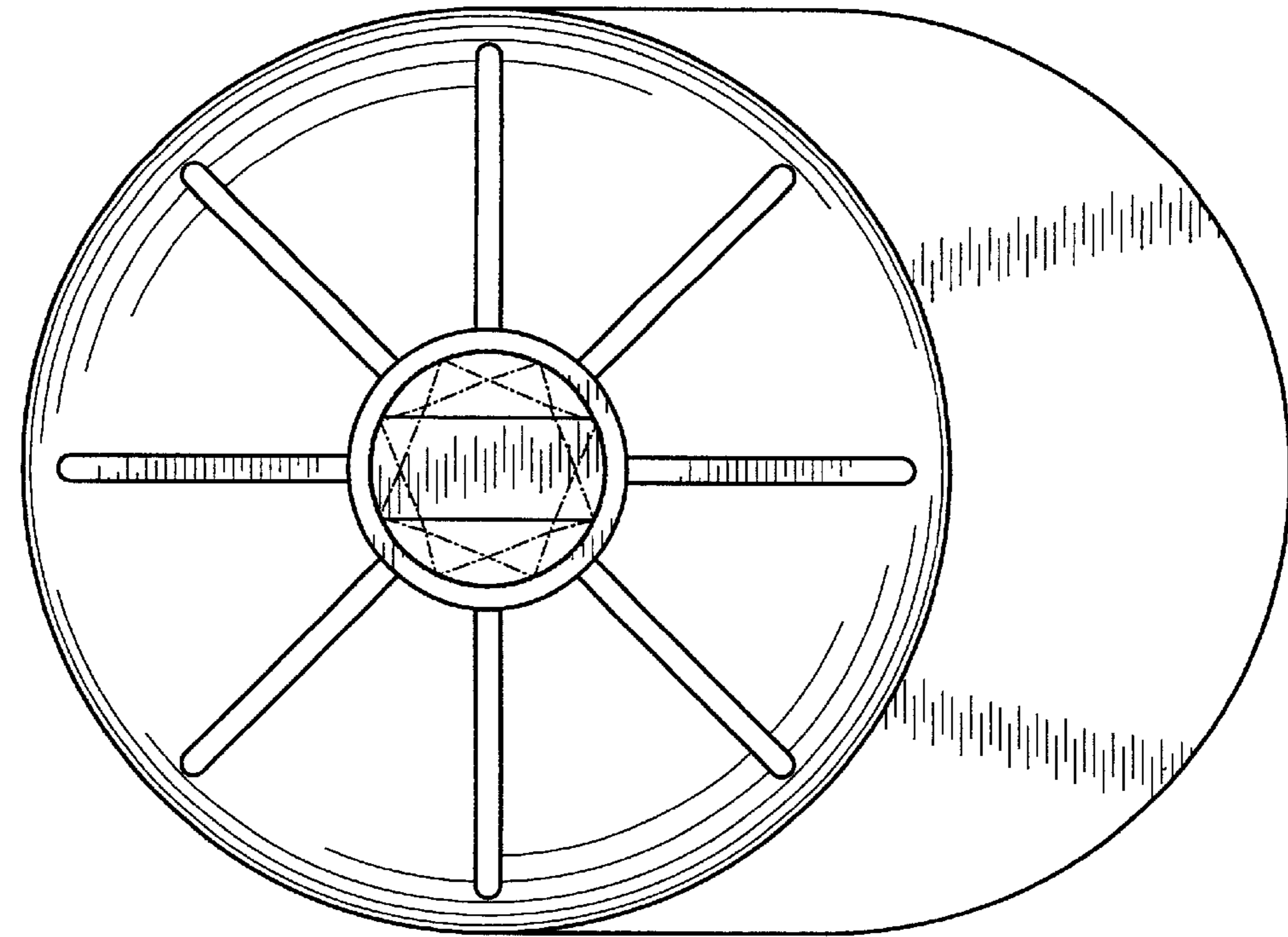


FIG. 6

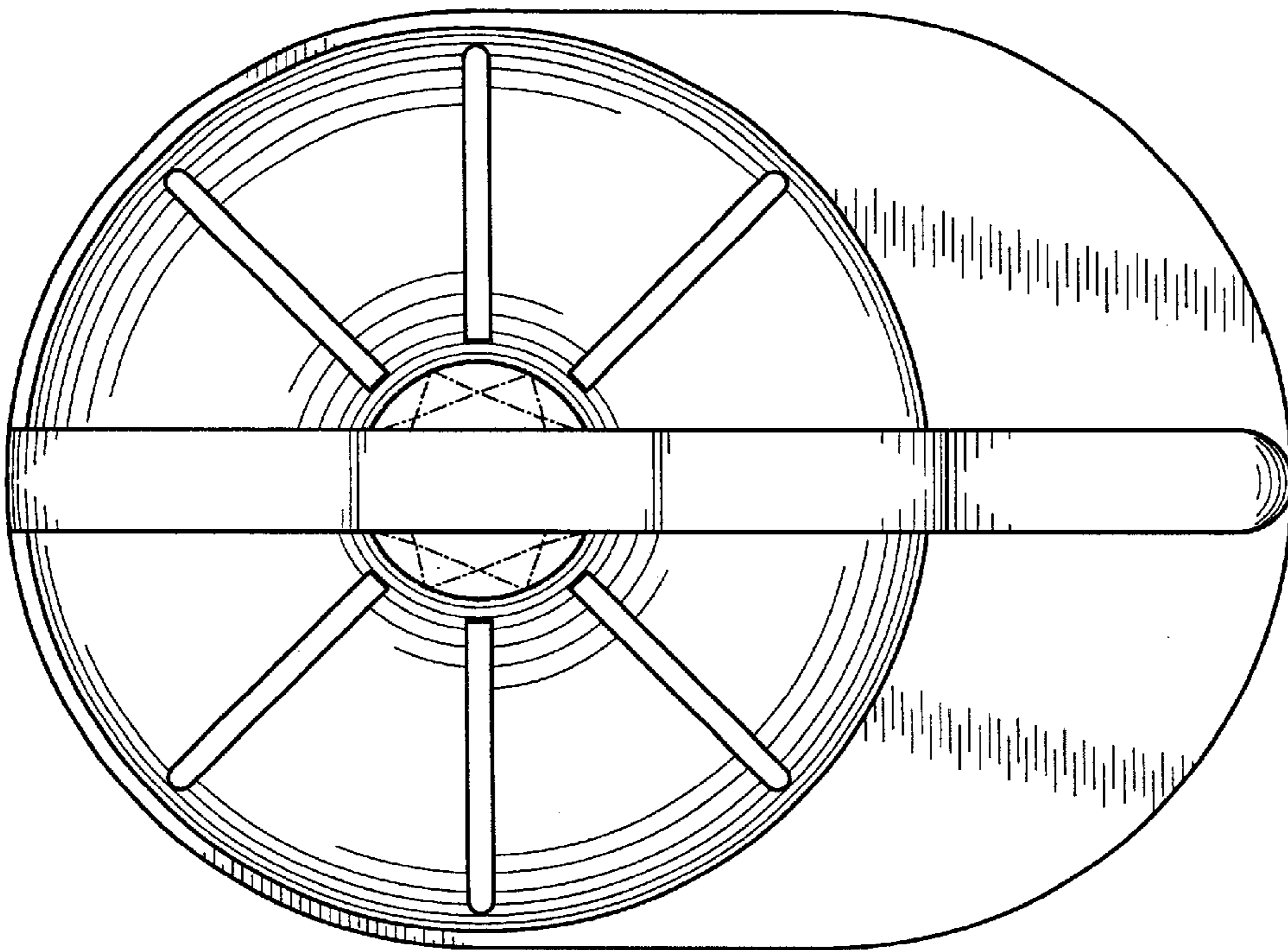


FIG. 5

UNITED STATES PATENT AND TRADEMARK OFFICE
CERTIFICATE OF CORRECTION

PATENT NO. : Des. 446,743 S
DATED : August 21, 2001
INVENTOR(S) : Agosto

Page 1 of 1

It is certified that error appears in the above-identified patent and that said Letters Patent is hereby corrected as shown below:

Title page,

Item [54], title, please replace "JEWELRY CHARM" with -- **BASEBALL CAP CHARM** --.

Signed and Sealed this

Twenty-fourth Day of September, 2002

Attest:



Attesting Officer

JAMES E. ROGAN
Director of the United States Patent and Trademark Office