



US00D446739B1

(12) **United States Design Patent**
Kan

(10) **Patent No.:** **US D446,739 S**

(45) **Date of Patent:** **** Aug. 21, 2001**

(54) **MEDICATION ALERT UNIT**

(75) Inventor: **Christine Kan**, Vancouver (CA)

(73) Assignee: **ALR Technologies, Inc.**, Bellingham, WA (US)

(**) Term: **14 Years**

(21) Appl. No.: **29/131,170**

(22) Filed: **Oct. 16, 2000**

(51) **LOC (7) Cl.** **10-05**

(52) **U.S. Cl.** **D10/104**

(58) **Field of Search** D10/104, 106,
D10/116, 121; D20/18, 19; 340/540, 545,
571, 572, 573, 689

(56) **References Cited**

U.S. PATENT DOCUMENTS

- D. 391,183 * 2/1998 Campbell et al. D10/104
- D. 391,878 * 3/1998 Alleyne D10/104

D. 419,554 * 1/2000 Gibson D10/104

* cited by examiner

Primary Examiner—Marcus A. Jackson

(57) **CLAIM**

The ornamental design for a medication alert unit, as shown and described.

DESCRIPTION

FIG. 1 is a perspective view showing the front, right side and top of a medication alert unit generally in the shape of a dog's bone including a push button and a light.

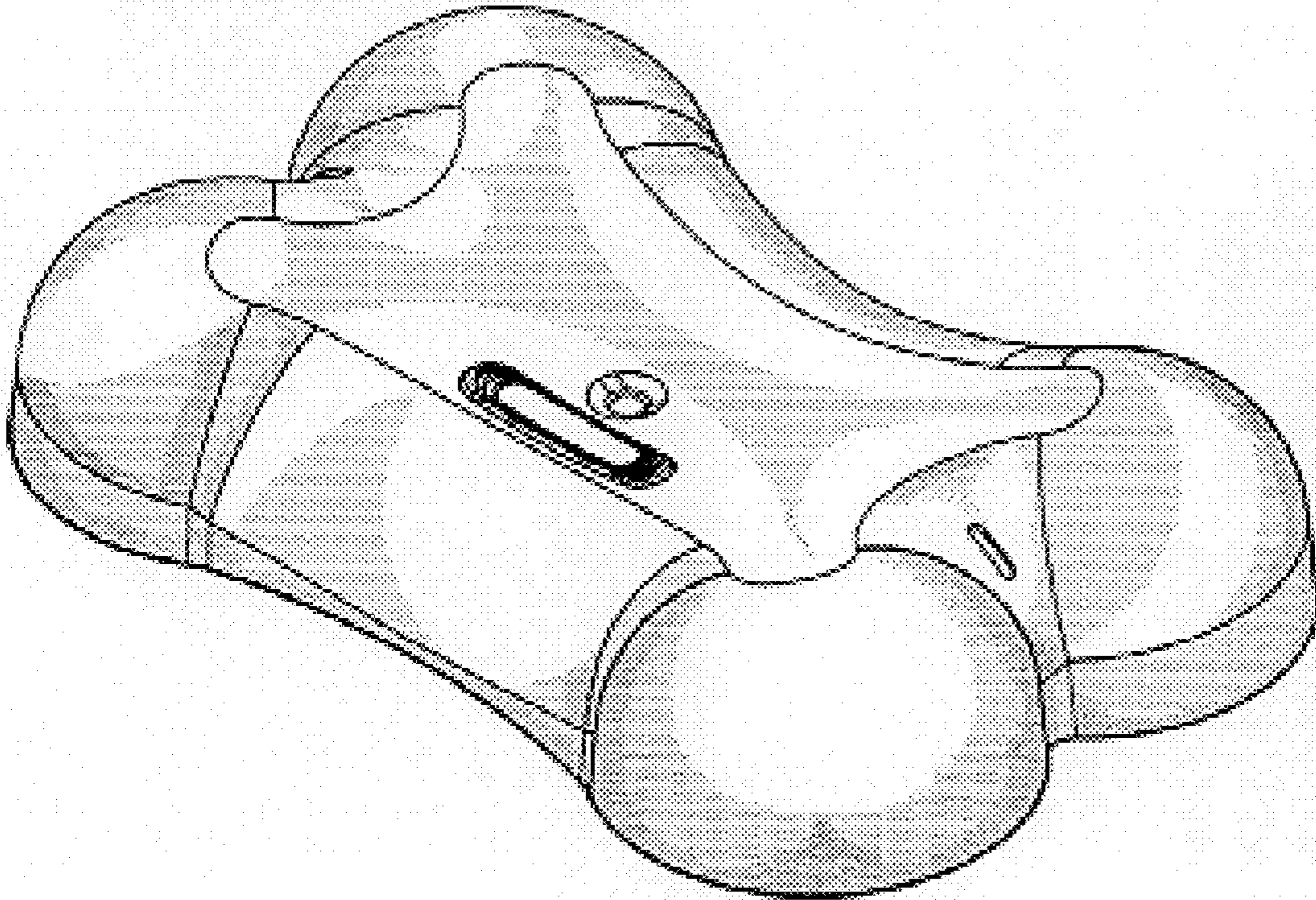
FIG. 2 is a top view of a medication alert unit generally in the shape of a dog's bone.

FIG. 3 is a front view of a medication alert unit generally in the shape of a dog's bone.

FIG. 4 is a right side view of a medication alert unit generally in the shape of a dog's bone. The left side view is a mirror image; and,

FIG. 5 is a bottom view of a medication alert unit generally in the shape of a dog's bone.

1 Claim, 3 Drawing Sheets



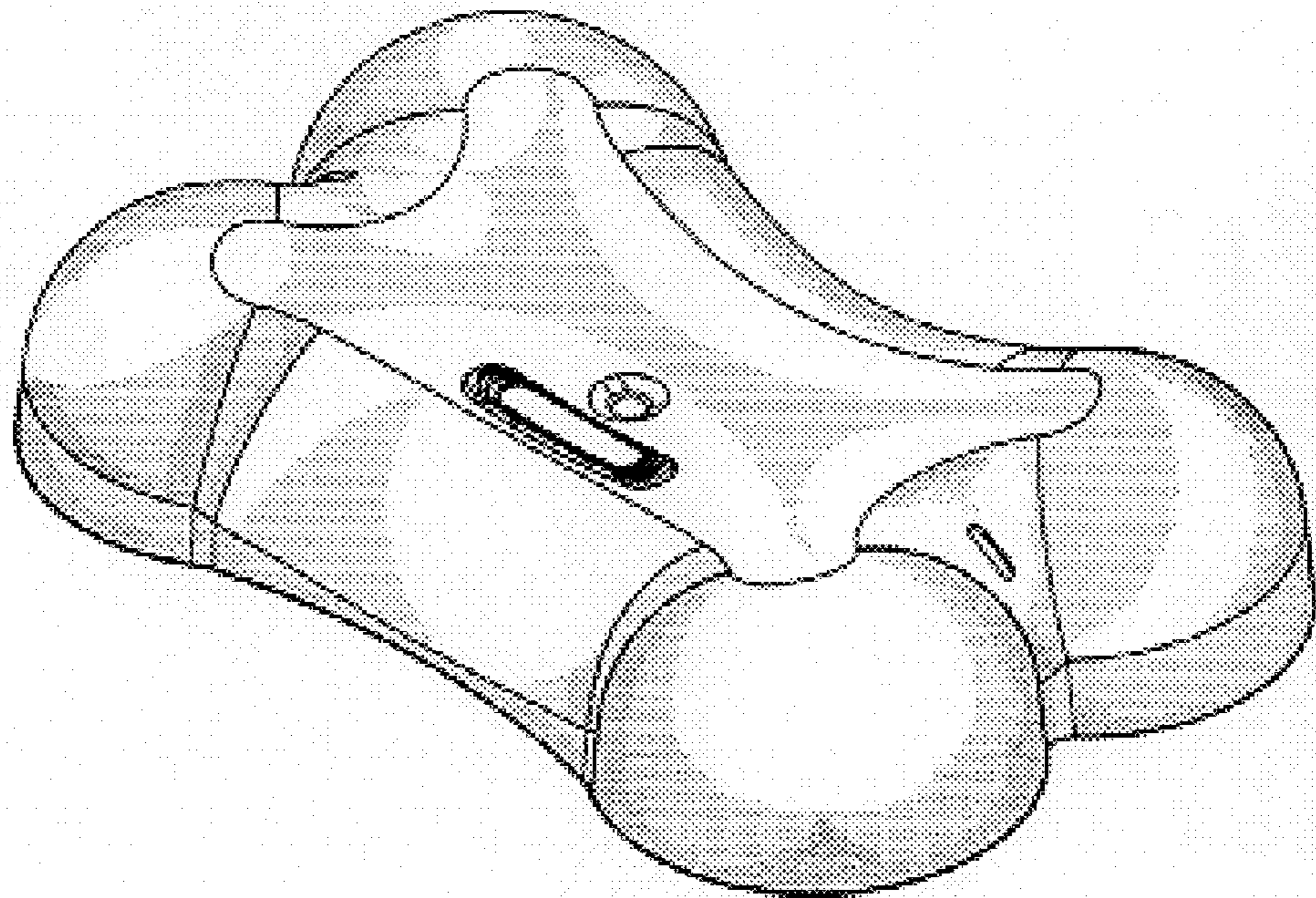


Fig. 1

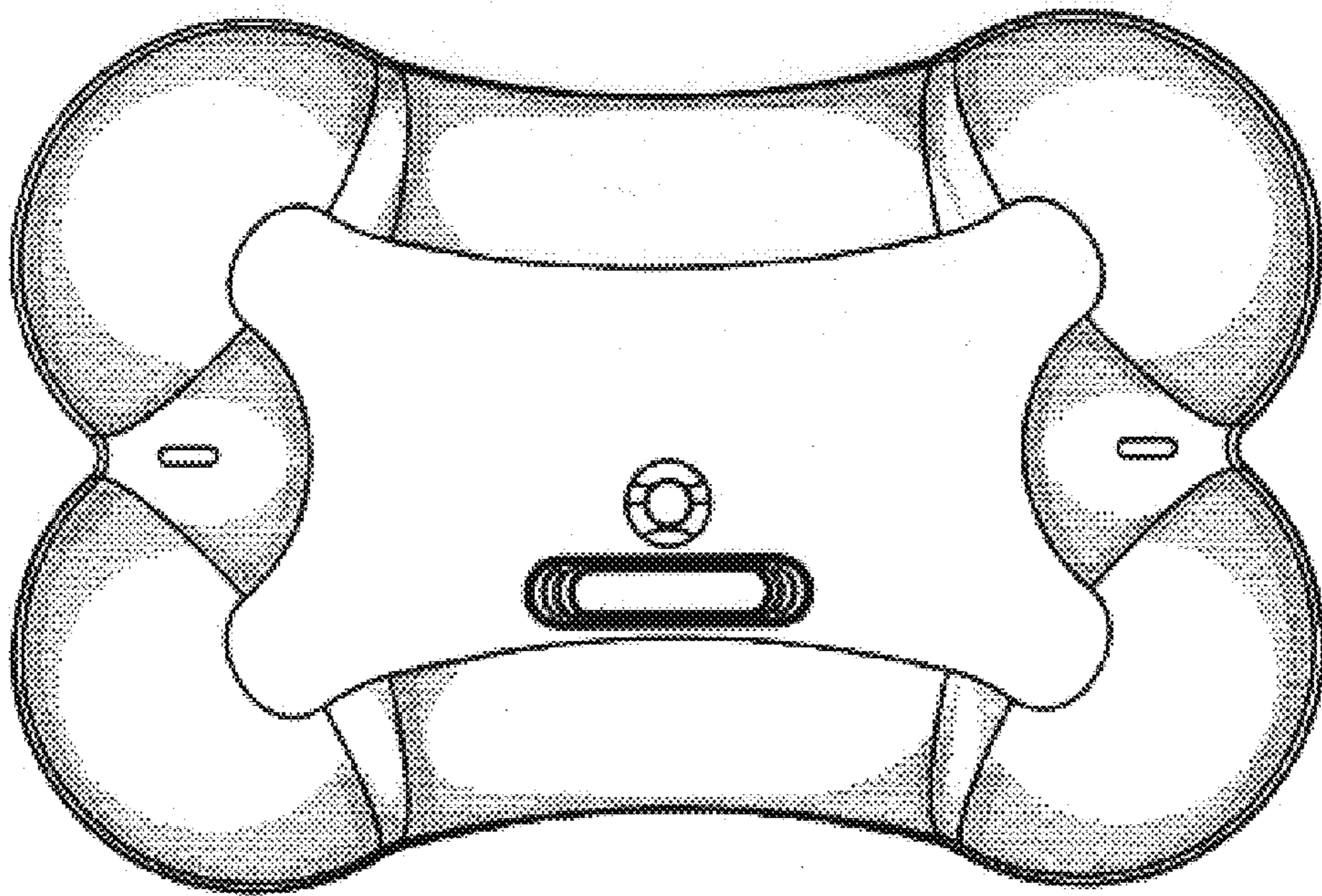


FIG. 2

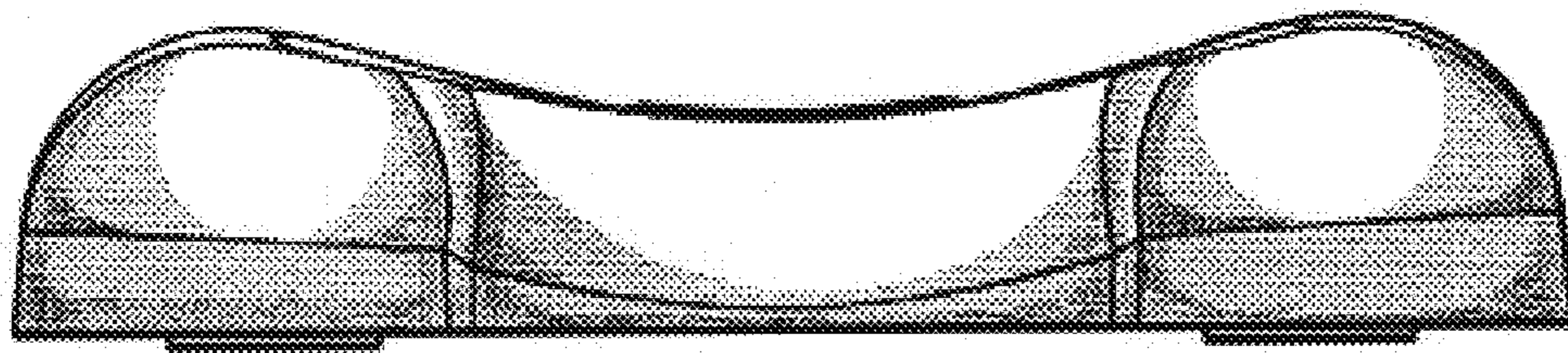


FIG. 3

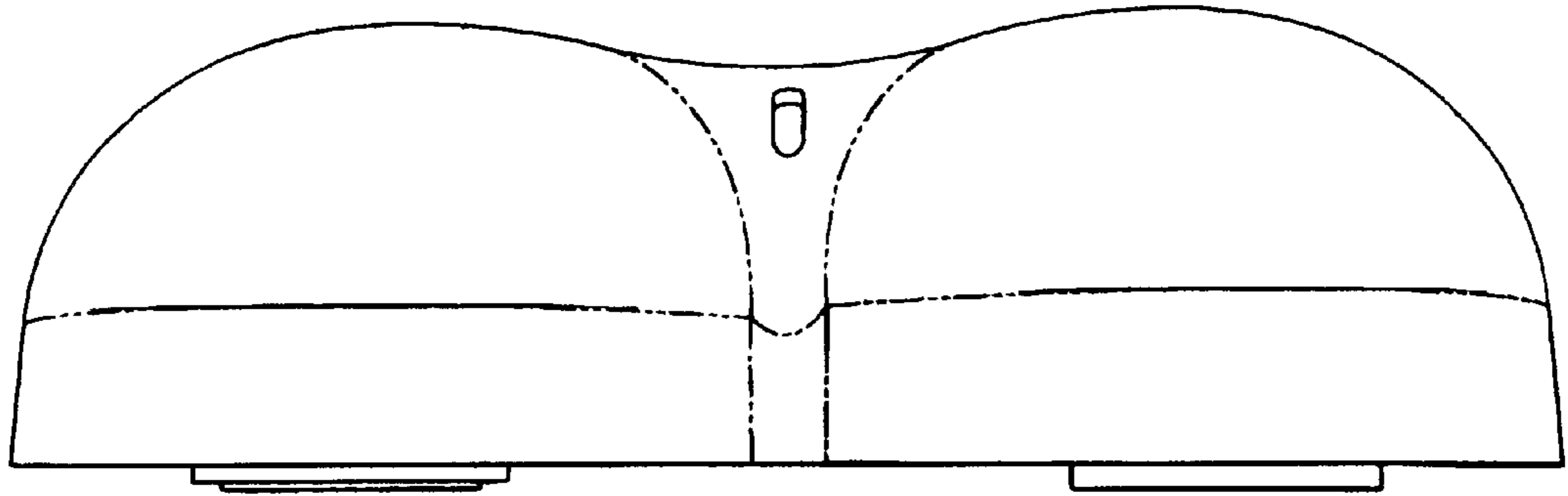


FIG 4

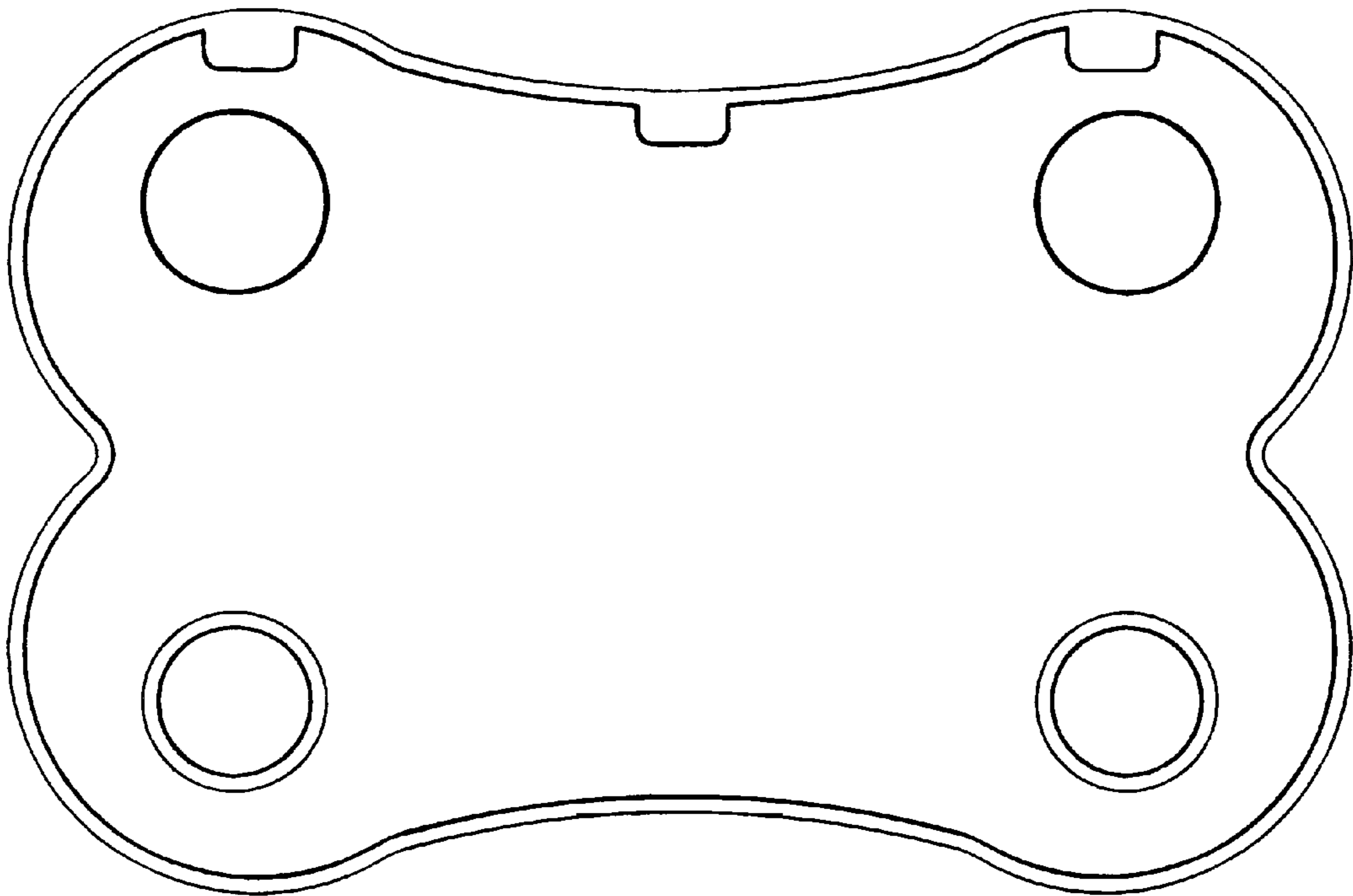


FIG 5