



US00D446734B1

(12) **United States Design Patent**
Kuramoto

(10) **Patent No.:** **US D446,734 S**

(45) **Date of Patent:** **** Aug. 21, 2001**

(54) **VOLT-OHM-AMMETER**

(75) Inventor: **Masamichi Kuramoto**, Tokyo (JP)

(73) Assignee: **Kyoritsu Electrical Instruments Works, Ltd.**, Tokyo (JP)

(**) Term: **14 Years**

(21) Appl. No.: **29/122,447**

(22) Filed: **Apr. 28, 2000**

(30) **Foreign Application Priority Data**

Mar. 27, 2000 (JP) 2000-7361

(51) **LOC (7) Cl.** **10-04**

(52) **U.S. Cl.** **D10/78**

(58) **Field of Search** D10/78, 79; 310/314,
310/339; 324/72.5, 115, 122, 133, 149;
379/21, 24, 27

(56) **References Cited**

U.S. PATENT DOCUMENTS

D. 400,454 * 11/1998 Arnoux et al. D10/78

* cited by examiner

Primary Examiner—Antoine Duval Davis

(74) *Attorney, Agent, or Firm*—Oblon, Spivak, McClelland, Maier & Neustadt, P.C.

(57) **CLAIM**

The ornamental design for a volt-ohm-ammeter, as shown and described.

DESCRIPTION

FIG. 1 is a front elevational view of a volt-ohm-ammeter, showing my new design;
FIG. 2 is a right side elevational view thereof;
FIG. 3 is a left side elevational view thereof;
FIG. 4 is a rear elevational view thereof;
FIG. 5 is a top plan view thereof;
FIG. 6 is a bottom plan view thereof;
FIG. 7 is a top and right front perspective view thereof;
FIG. 8 is a top and right front perspective view thereof, with a test clamp sensor and test rods detached and their cords developed;
FIG. 9 is a right side elevational view thereof, with the test rods and their cords omitted;
FIG. 10 is a left side elevational view thereof, with the clamp sensor and its cord omitted; and,
FIG. 11 is a cross-sectional view thereof taken along line XI—XI in the top plan view, with the interior details omitted.

1 Claim, 4 Drawing Sheets

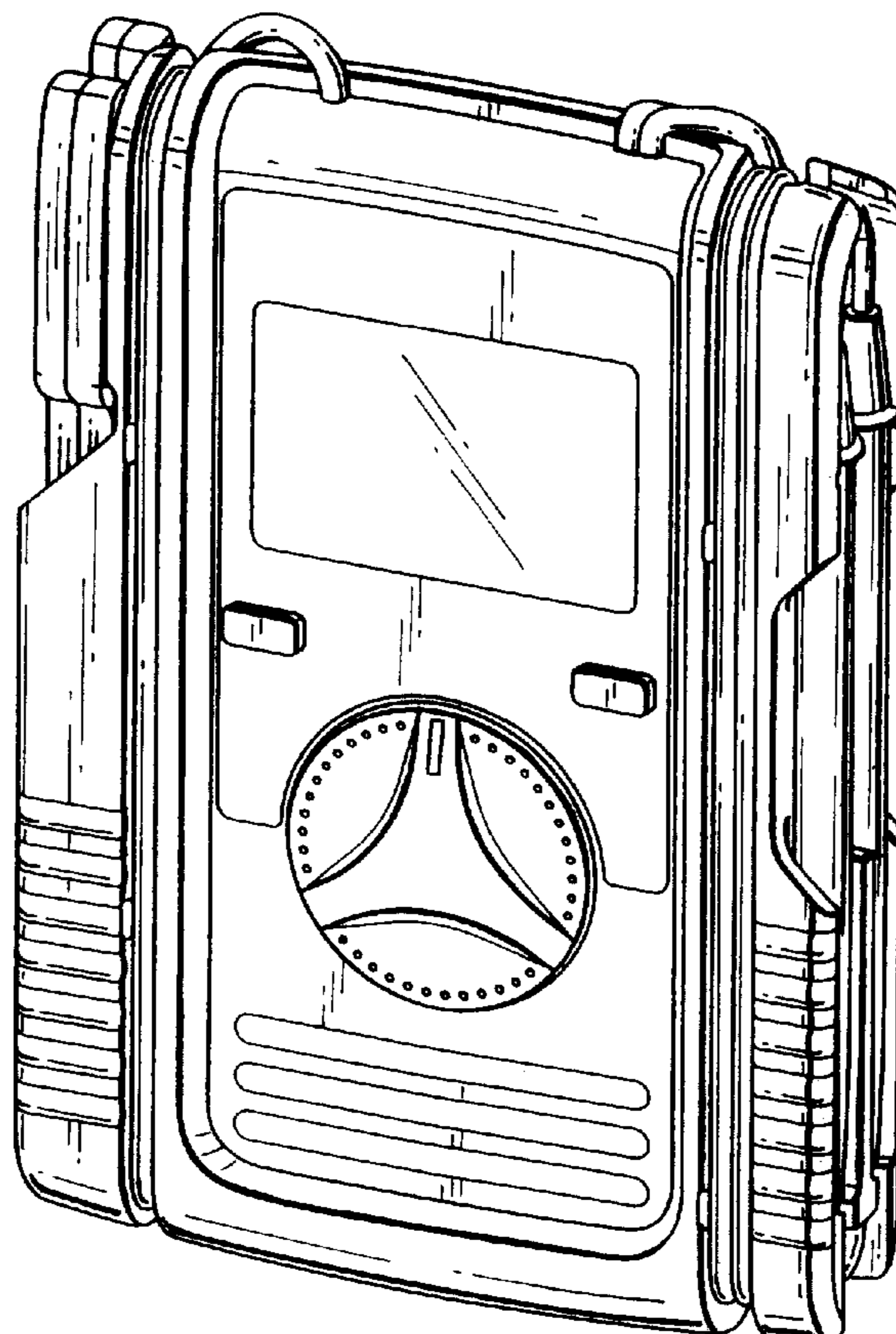


FIG. 1

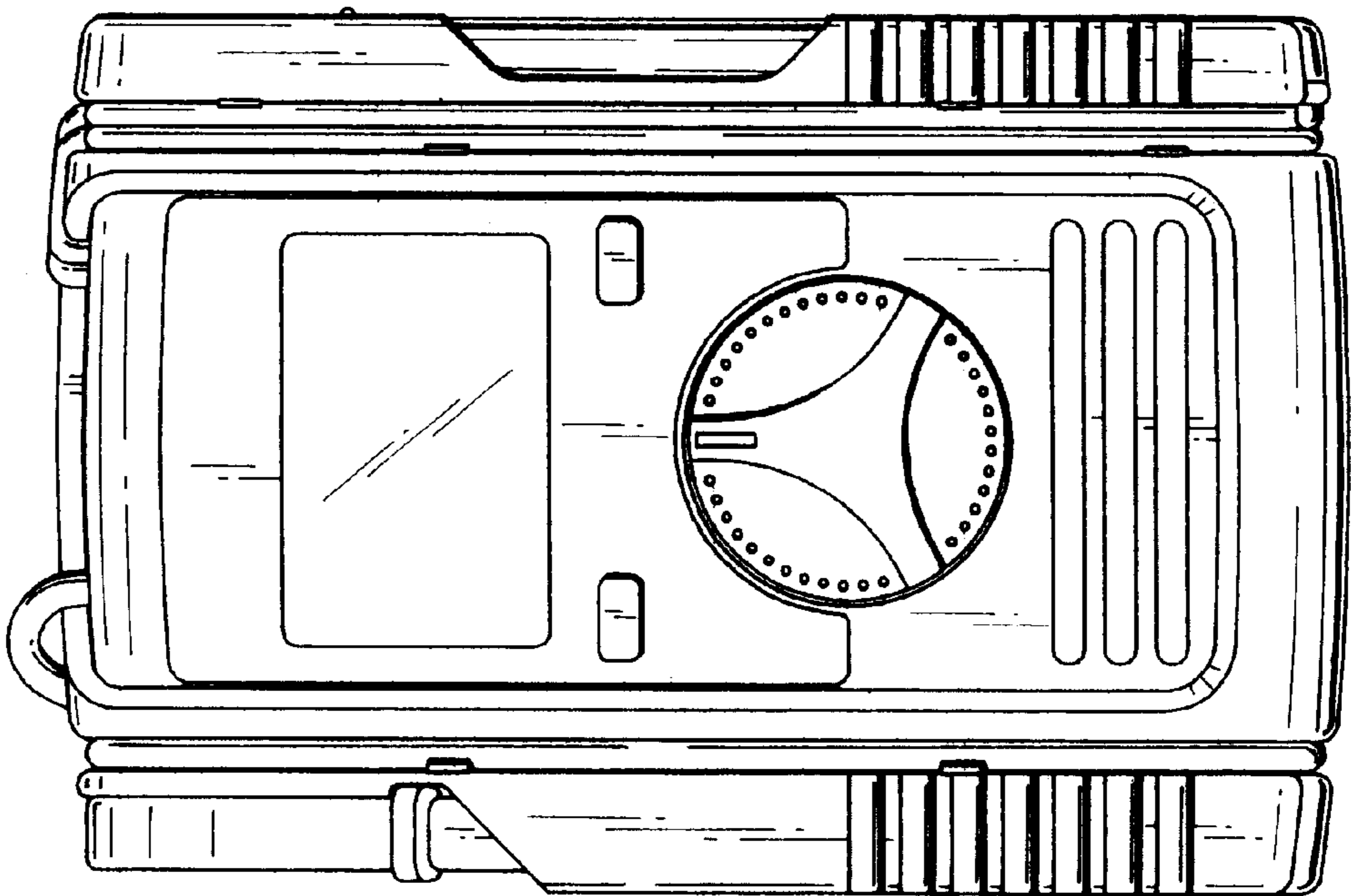


FIG. 2

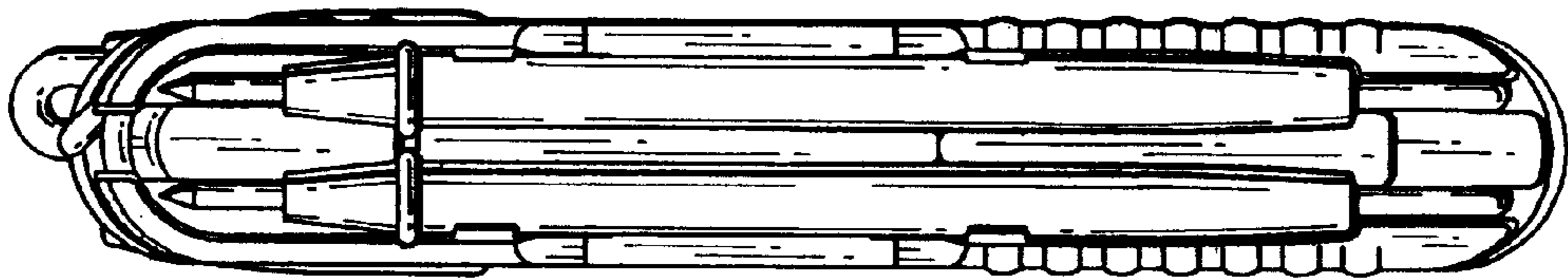


FIG. 3

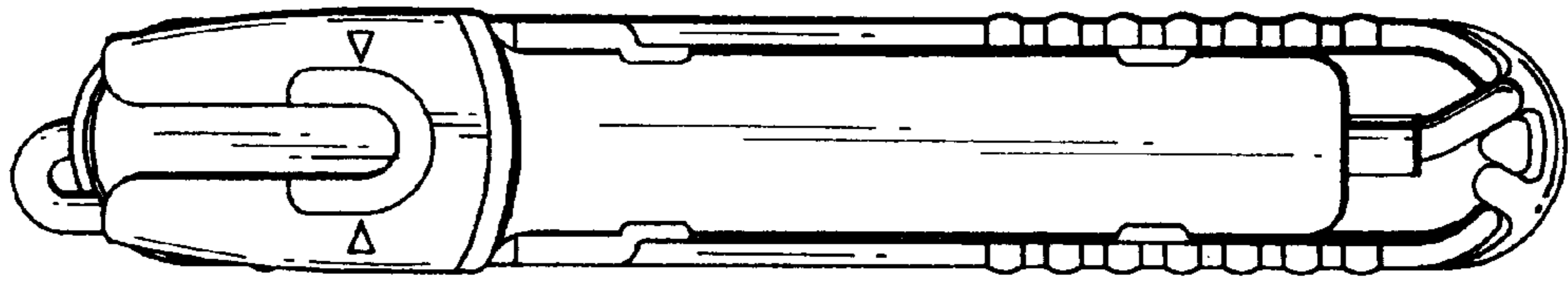


FIG. 4

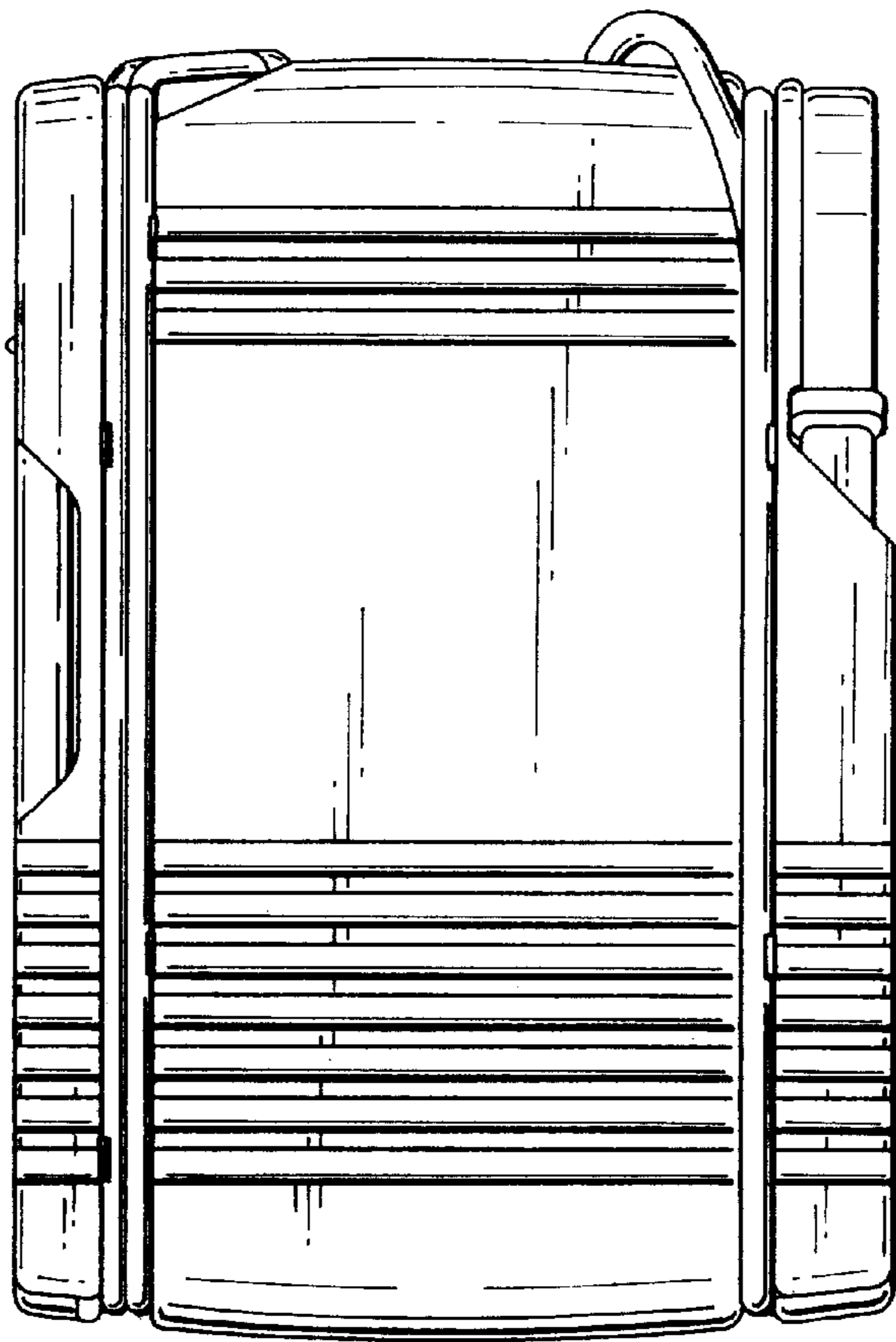


FIG. 5

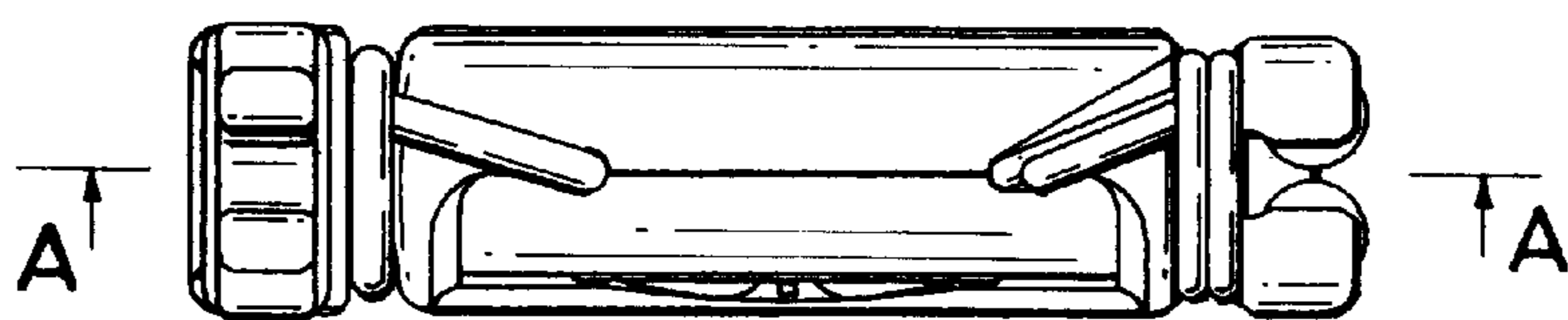


FIG. 6

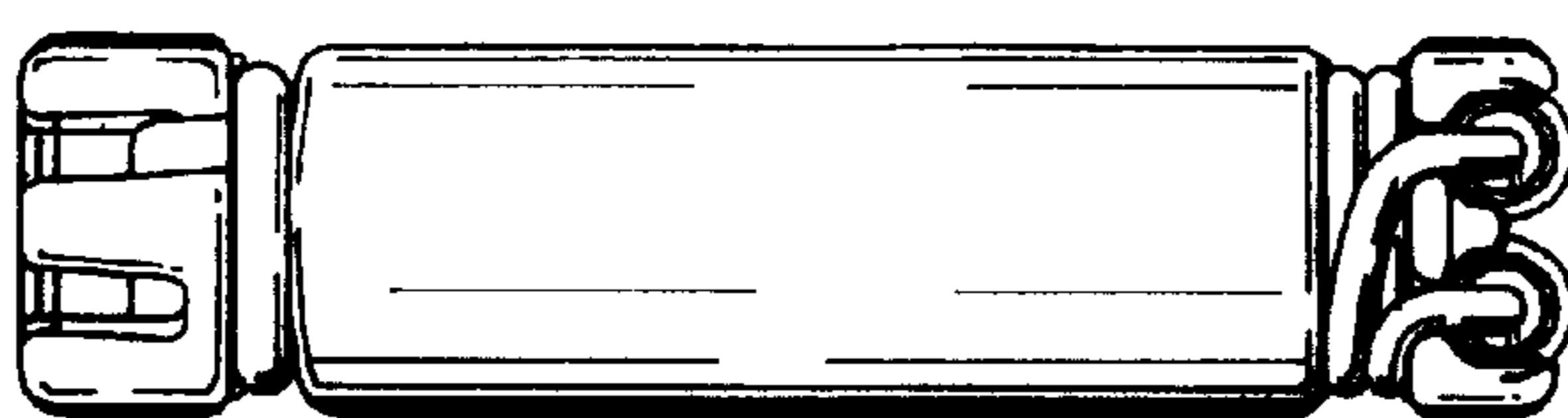


FIG. 8

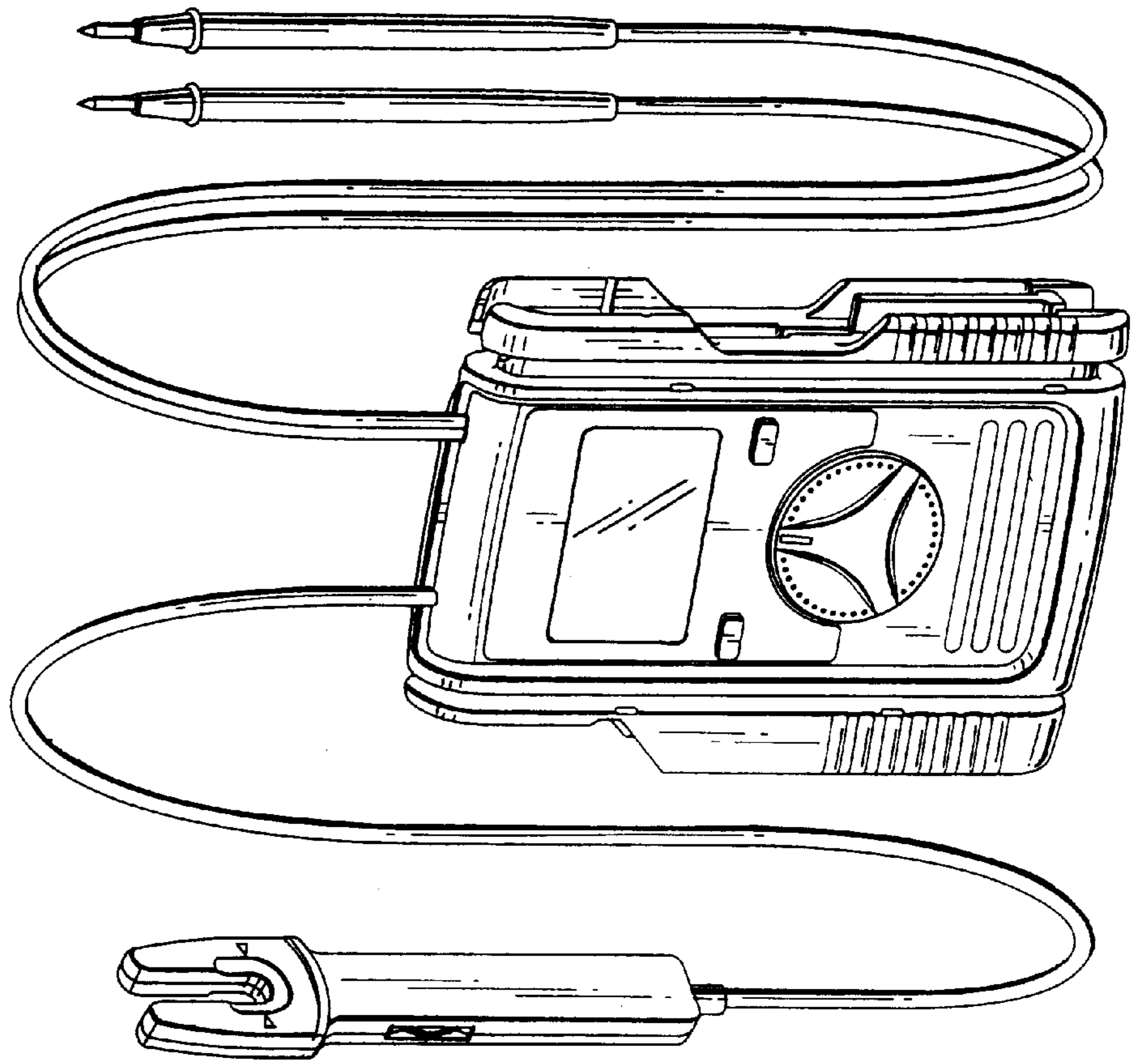


FIG. 7

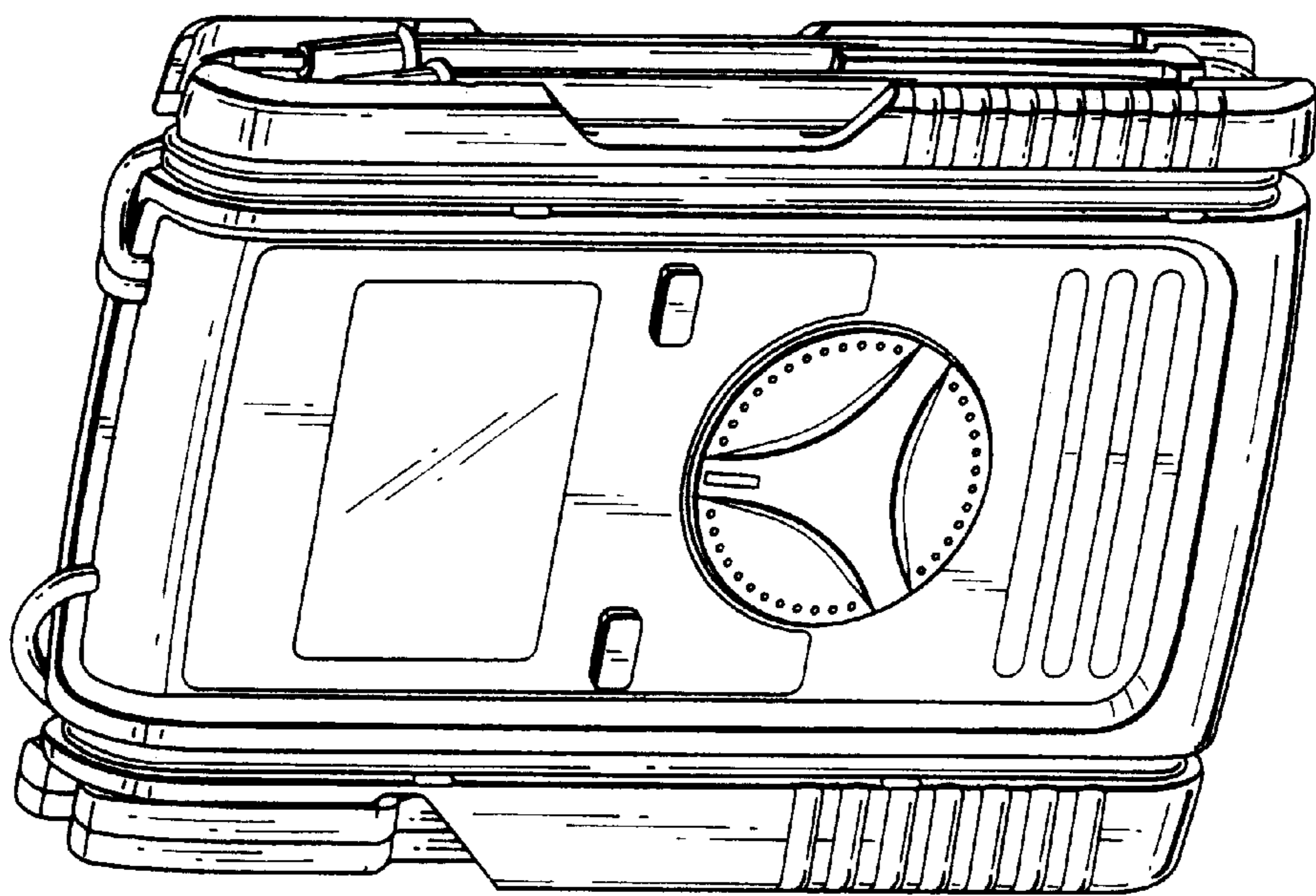


FIG. 11

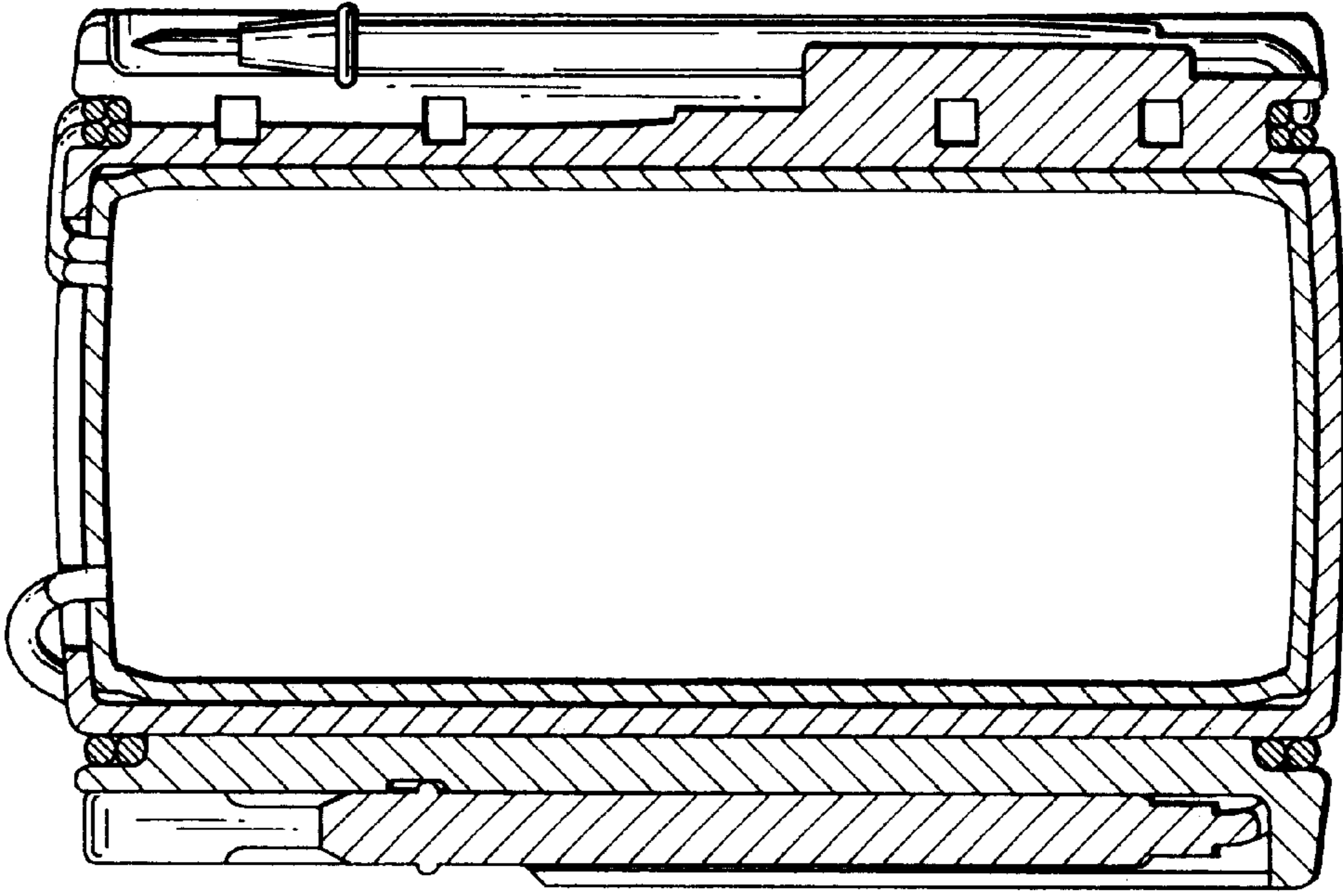


FIG. 10

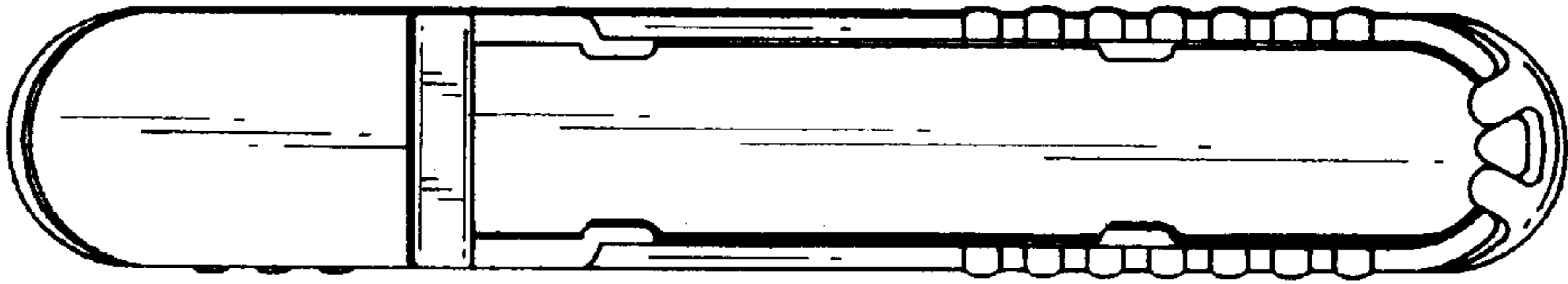


FIG. 9

