



US00D446733B1

(12) **United States Design Patent**  
**Gammon**

(10) **Patent No.:** **US D446,733 S**

(45) **Date of Patent:** **\*\* Aug. 21, 2001**

(54) **SURVEYOR REEL HOUSING**

(75) Inventor: **Claudine Gammon**, Richmond, CA (US)

(73) Assignee: **Gammon Reel, Inc.**, Oakland, CA (US)

(\*\*) Term: **14 Years**

(21) Appl. No.: **29/132,493**

(22) Filed: **Nov. 8, 2000**

(51) **LOC (7) Cl.** ..... **10-04**

(52) **U.S. Cl.** ..... **D10/65**

(58) **Field of Search** ..... D10/65-72; 33/769, 33/391-402

(56) **References Cited**

**U.S. PATENT DOCUMENTS**

D. 431,480 \* 10/2000 Walsten et al. .... D10/72  
4,077,128 \* 3/1978 Stoutenberg ..... 33/769

\* cited by examiner

*Primary Examiner*—Antoine Duval Davis  
(74) *Attorney, Agent, or Firm*—Finley & Berg, LLP

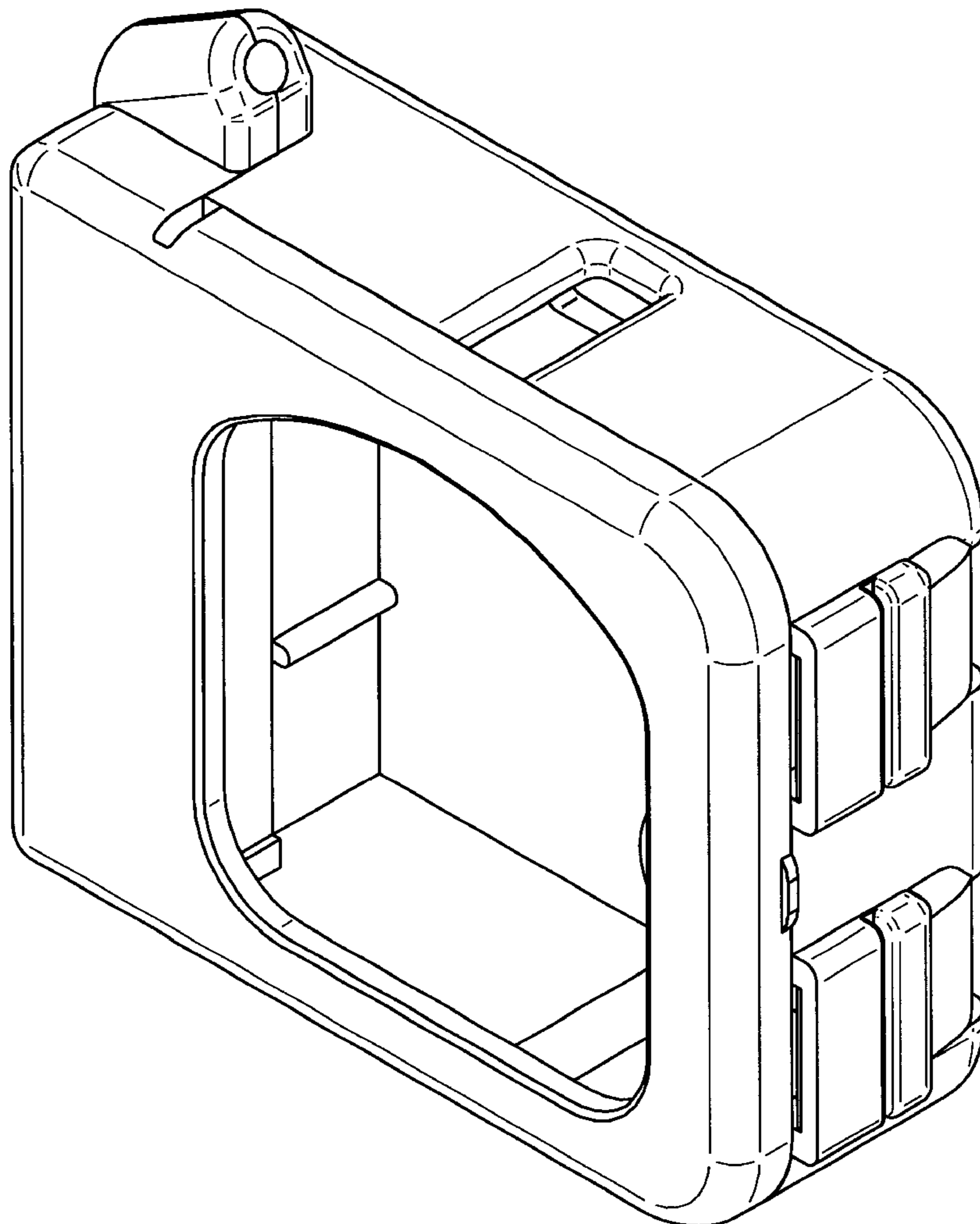
(57) **CLAIM**

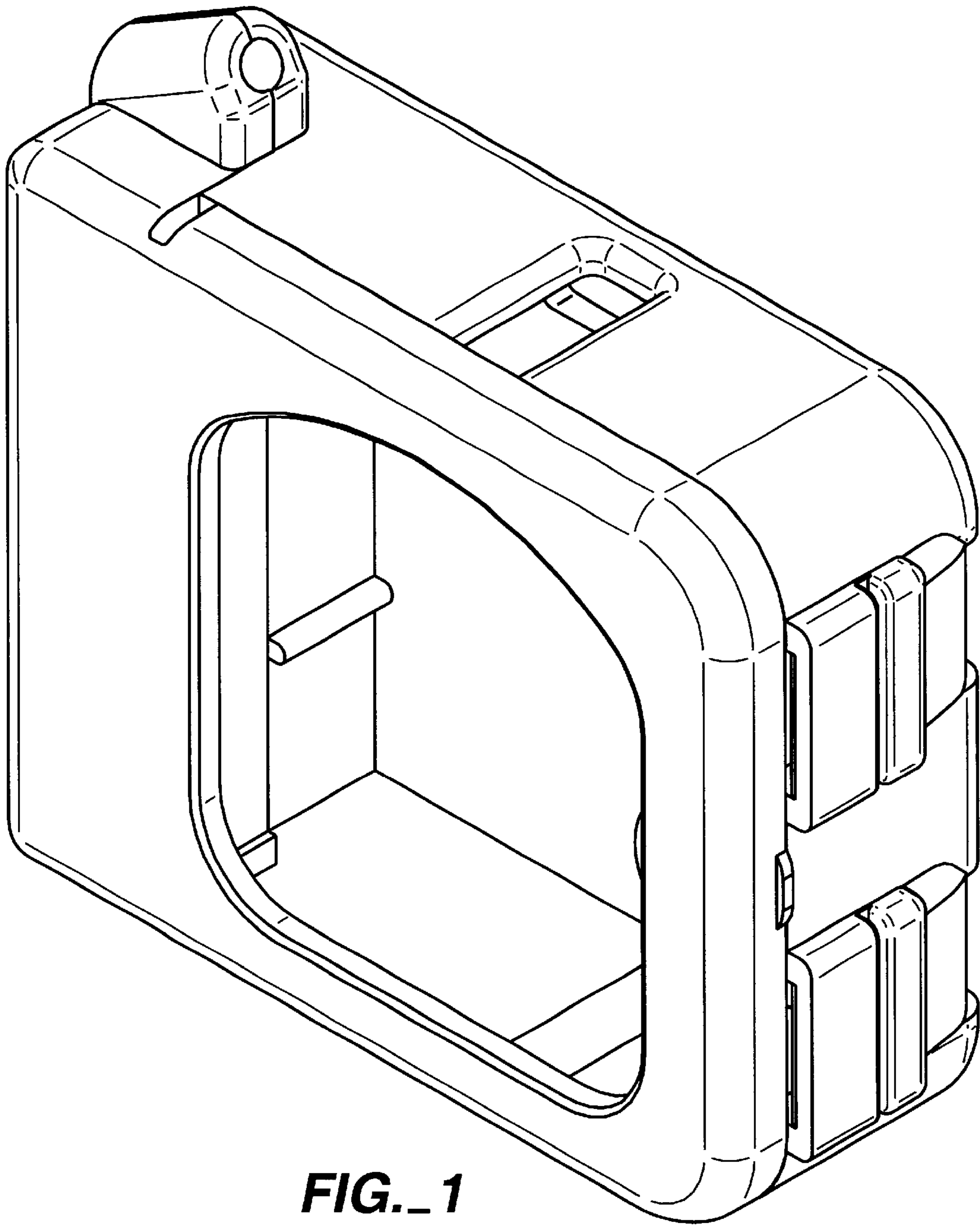
The ornamental design for a surveyor reel housing, as shown and described.

**DESCRIPTION**

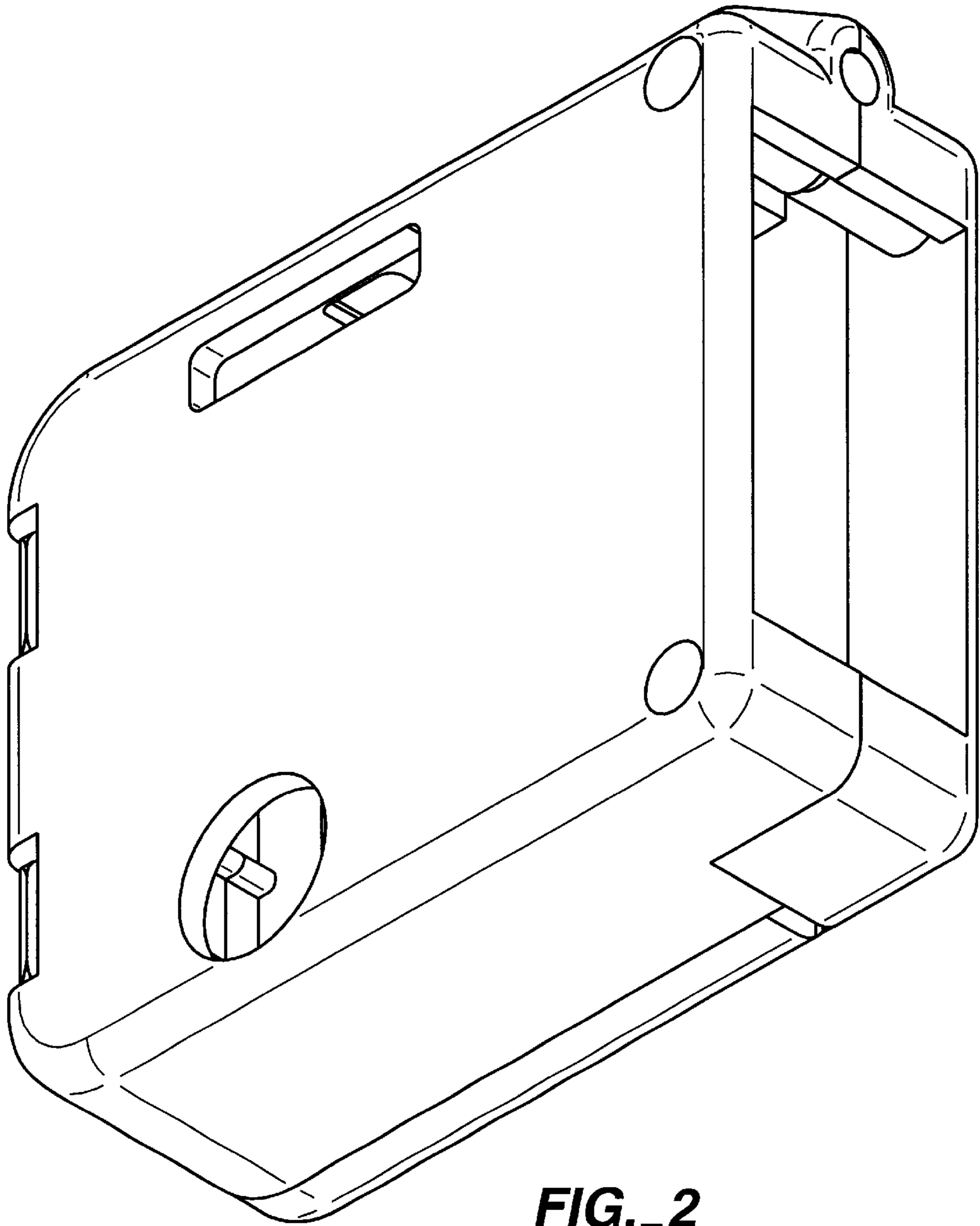
FIG. 1 is a front perspective view of the surveyor reel housing showing my new design;  
FIG. 2 is a rear perspective view thereof;  
FIG. 3 is a front plan view thereof;  
FIG. 4 is a right side plan view thereof;  
FIG. 5 is a rear plan view thereof;  
FIG. 6 is a left side plan view thereof;  
FIG. 7 is a top plan view thereof; and,  
FIG. 8 is a bottom plan view thereof.

**1 Claim, 5 Drawing Sheets**

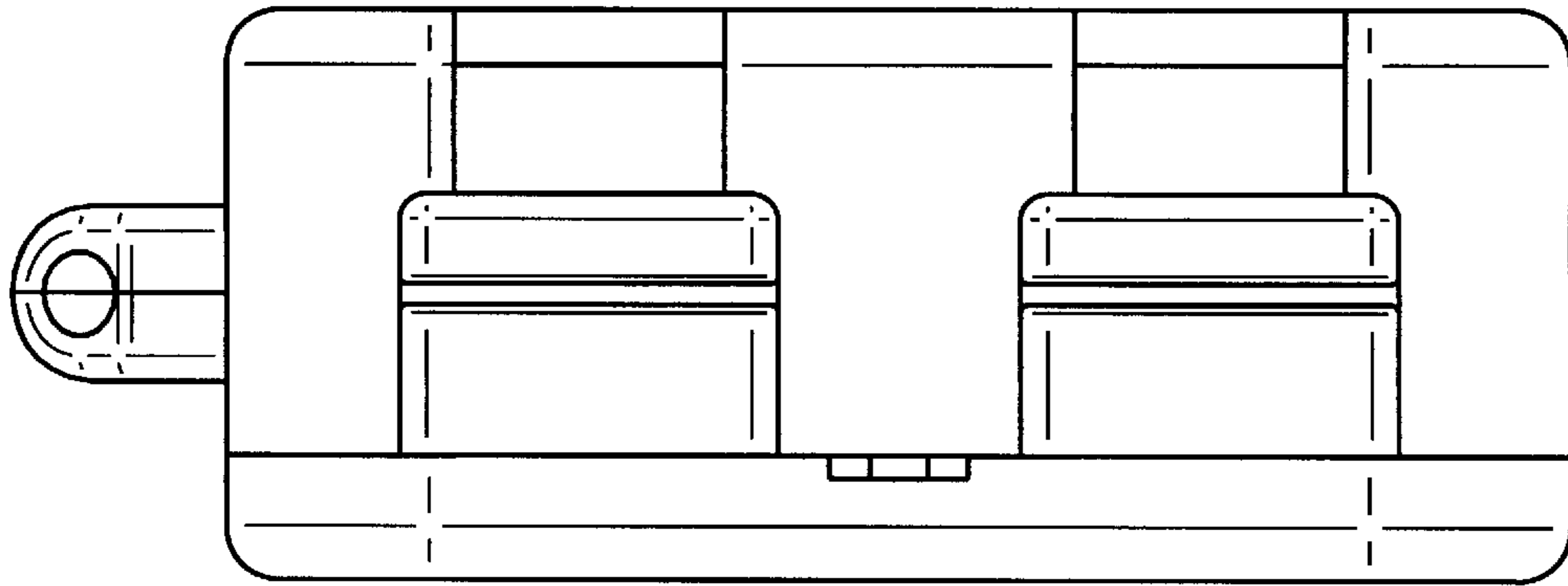




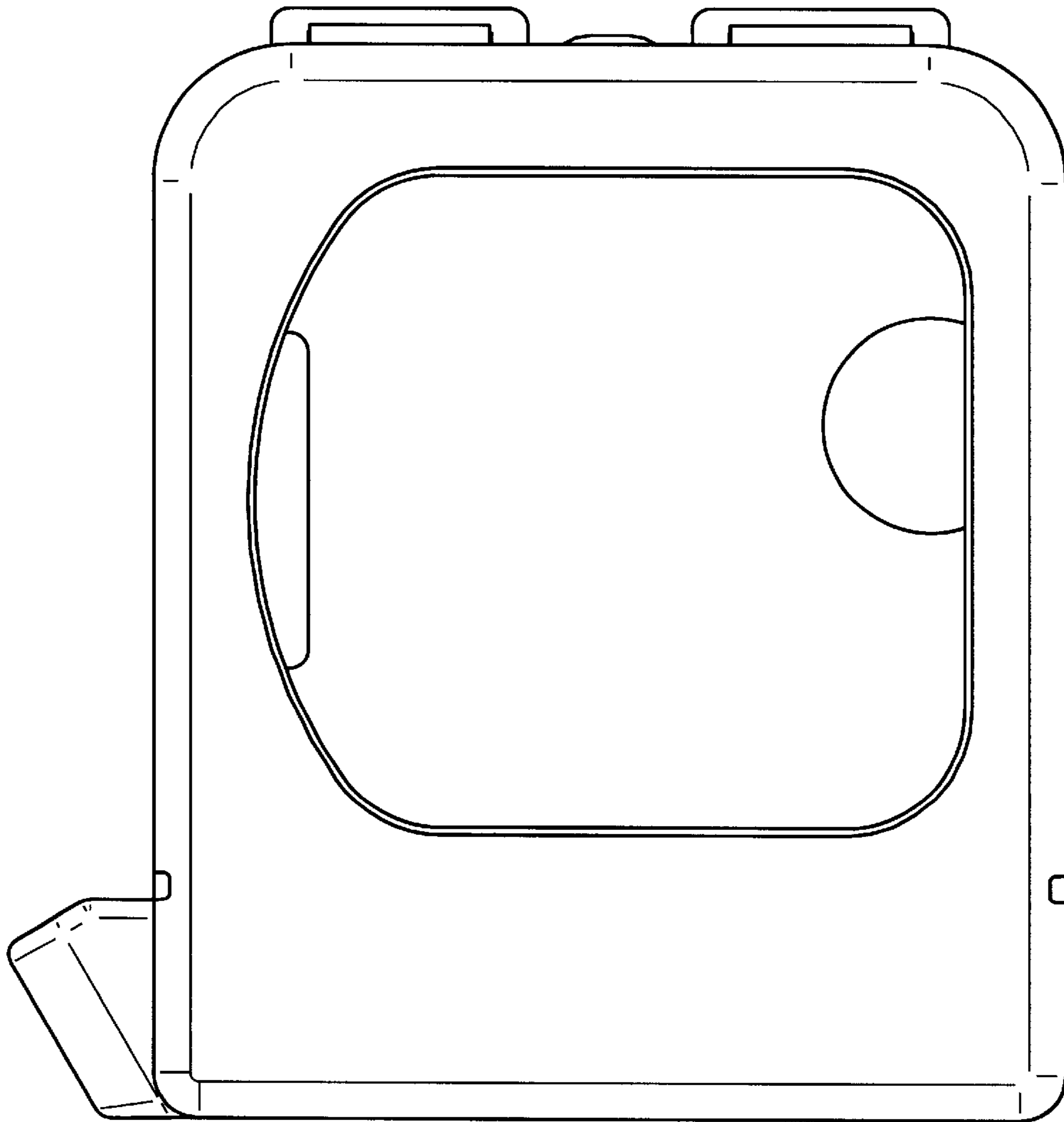
**FIG. 1**



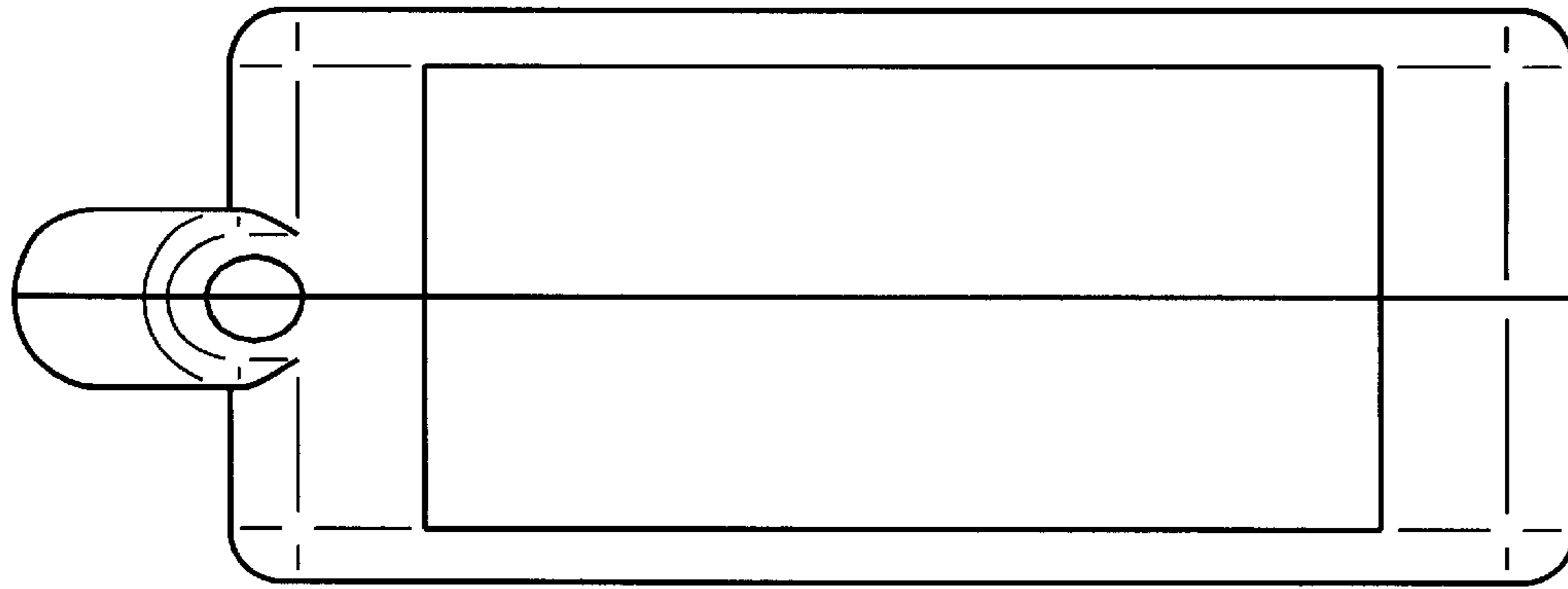
**FIG. 2**



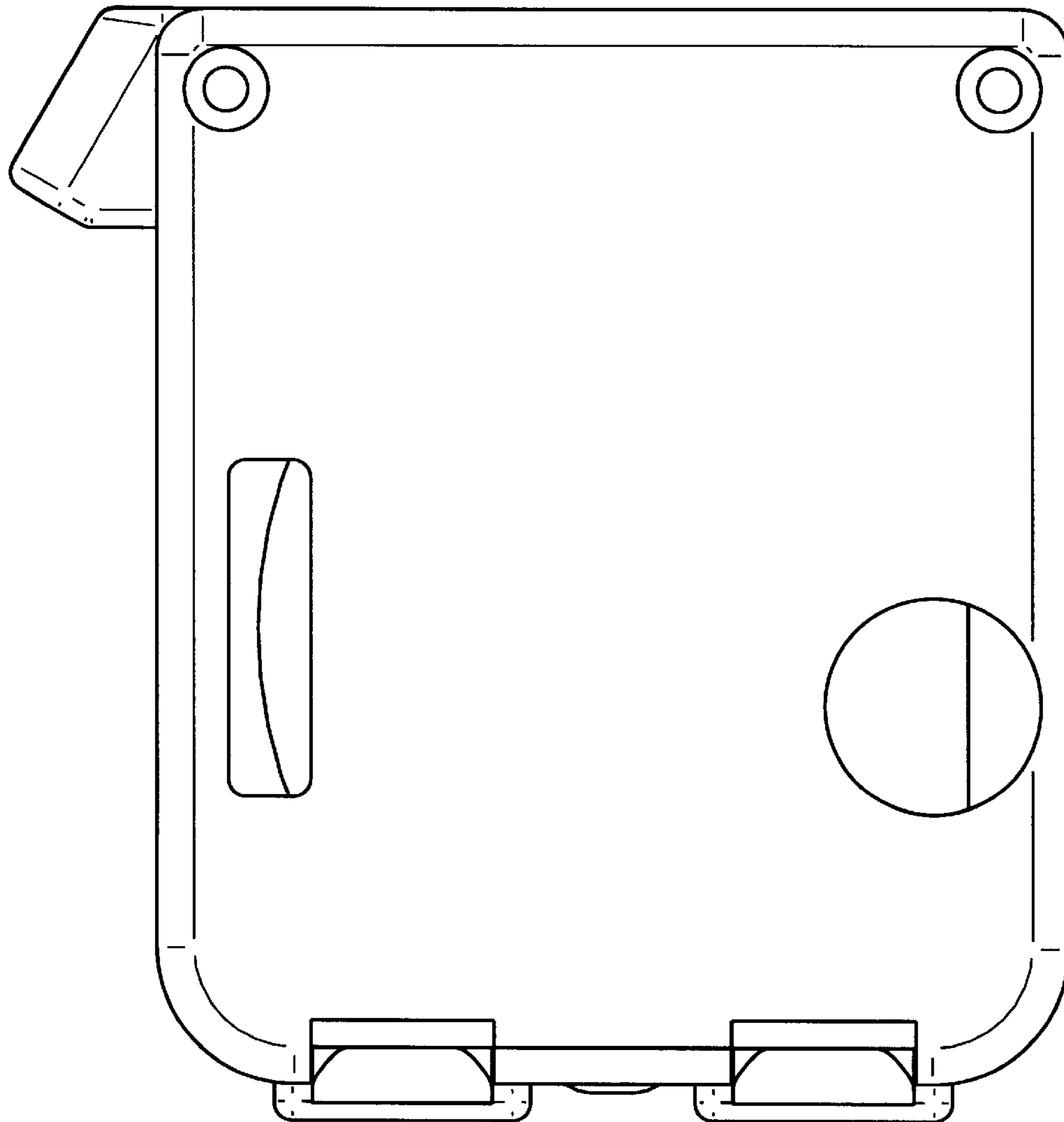
**FIG. 4**



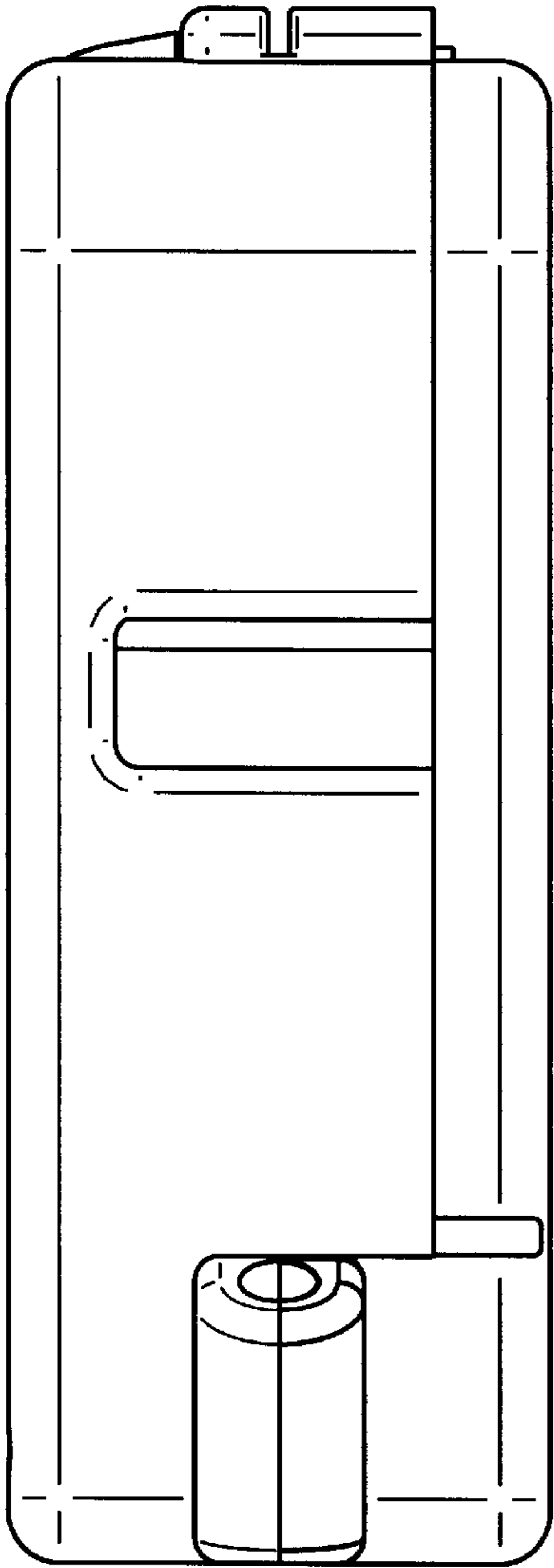
**FIG. 3**



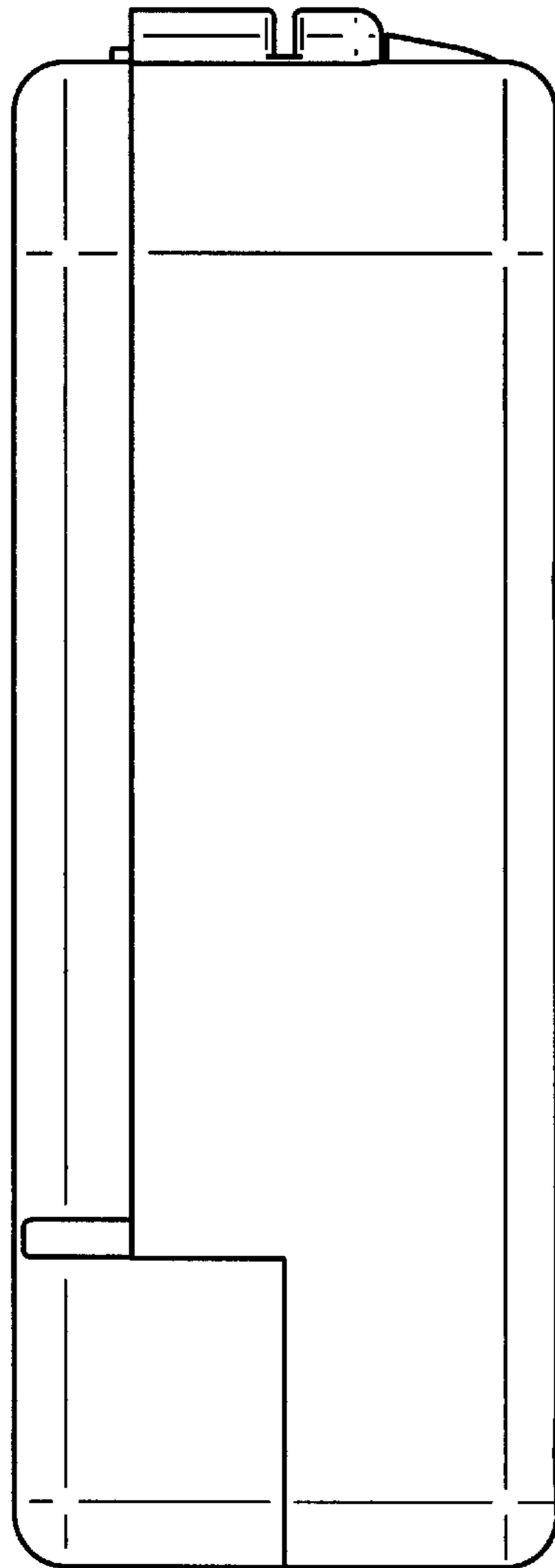
**FIG. 6**



**FIG. 5**



**FIG. 7**



**FIG. 8**