



US00D446732B1

(12) **United States Design Patent**
Gray et al.

(10) **Patent No.:** **US D446,732 S**

(45) **Date of Patent:** **** Aug. 21, 2001**

(54) **ALIGNMENT HEAD**

6,134,792 * 10/2000 January 33/203.18
6,148,528 * 11/2000 Jackson 33/288

(75) Inventors: **Brian K. Gray**, Conway; **M. Todd Foreman**, Greenbrier, both of AR (US)

* cited by examiner

(73) Assignee: **Snap-On Technologies**, Lincolnshire, IL (US)

Primary Examiner—Antoine Duval Davis
(74) *Attorney, Agent, or Firm*—McDermott, Will & Emery

(**) Term: **14 Years**

(57) **CLAIM**

(21) Appl. No.: **29/127,860**

The ornamental design for an alignment head, as shown and described.

(22) Filed: **Aug. 15, 2000**

DESCRIPTION

(51) **LOC (7) Cl.** **10-04**

(52) **U.S. Cl.** **D10/65**

(58) **Field of Search** D10/65; 33/288,
33/285, 203, 203.18, 203.19, 203.2, 286

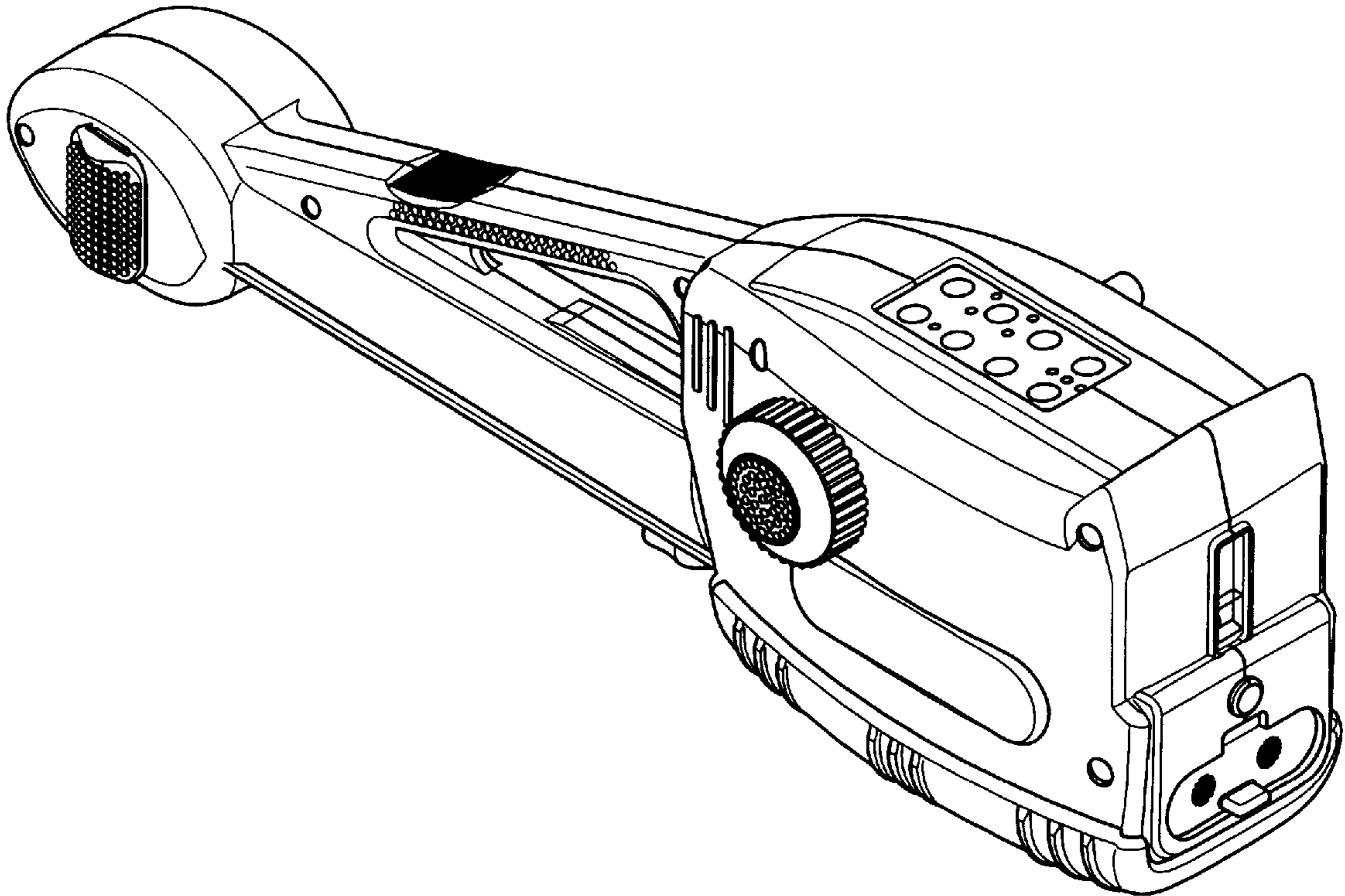
FIG. 1 is a perspective view thereof;
FIG. 2 is a left side view thereof;
FIG. 3 is a right side view thereof;
FIG. 4 is a top plan view thereof;
FIG. 5. is a bottom plan view thereof;
FIG. 6 is a front end view thereof; and,
FIG. 7 is a rear end view thereof.

(56) **References Cited**

U.S. PATENT DOCUMENTS

6,131,293 * 10/2000 Maloli et al. 33/203.18

1 Claim, 6 Drawing Sheets



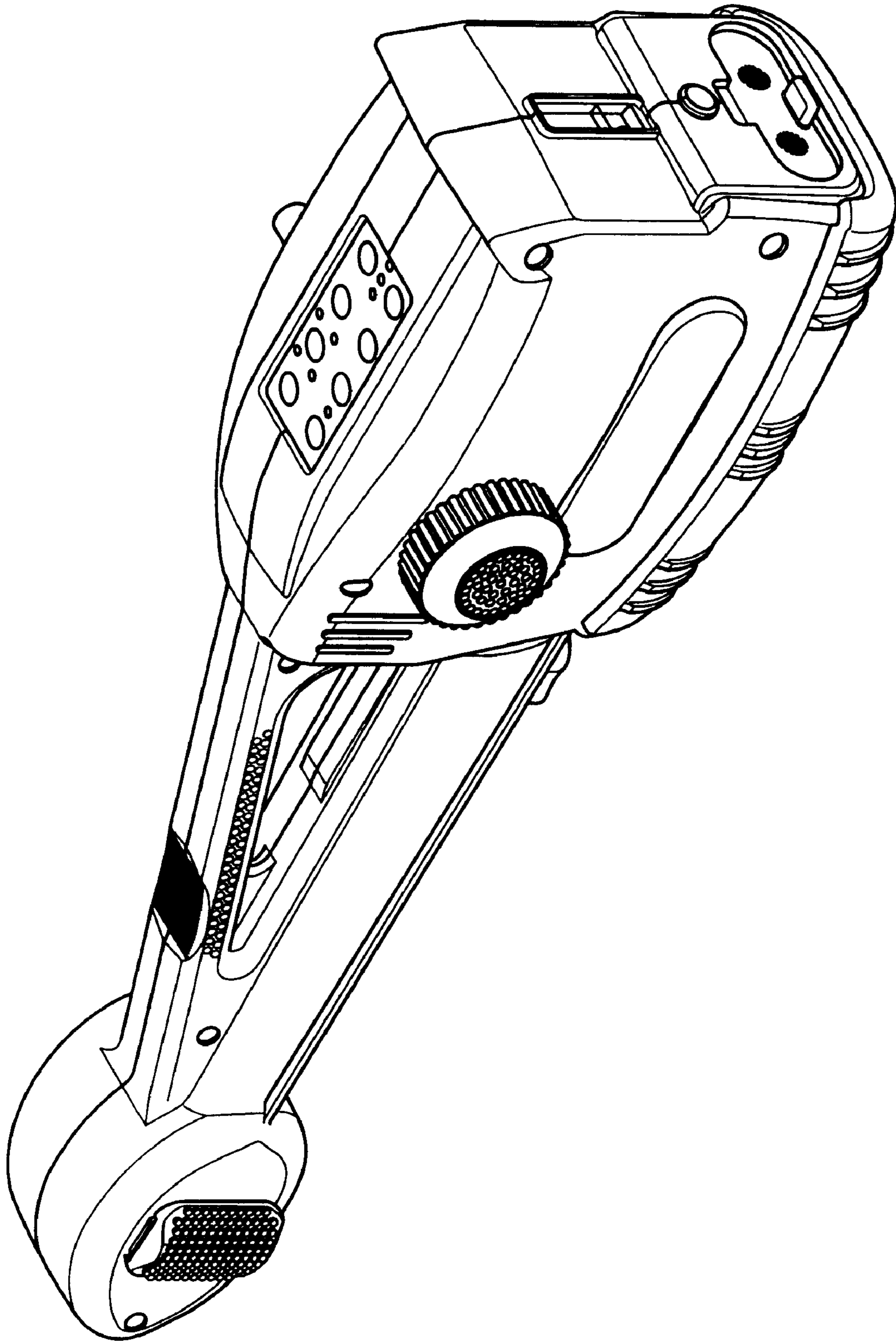


FIG. 1

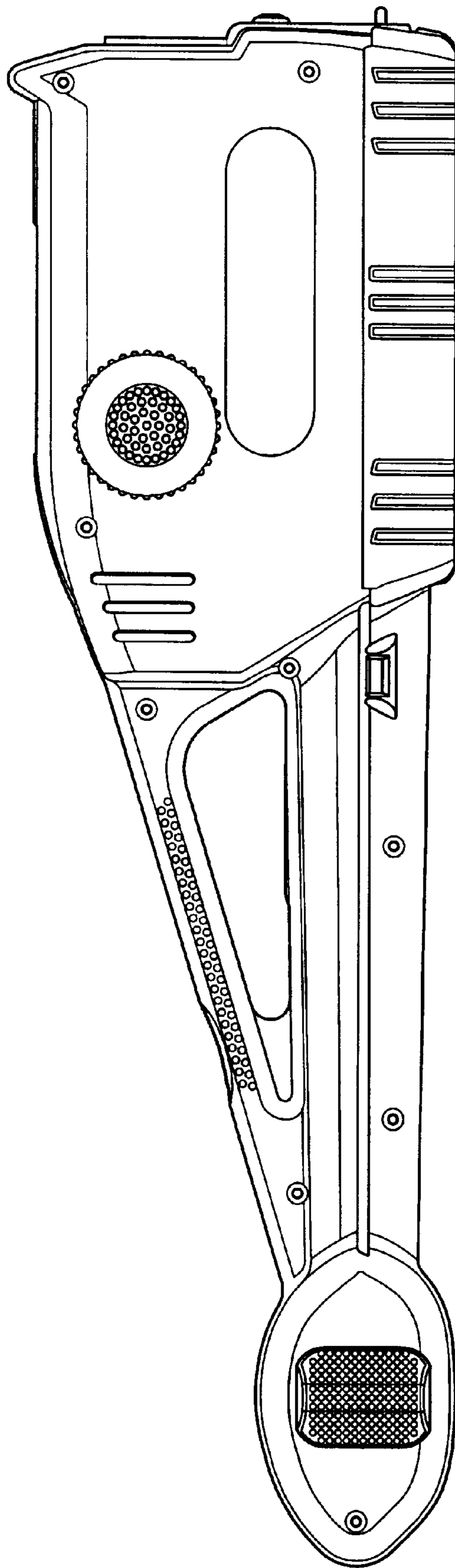


FIG. 2

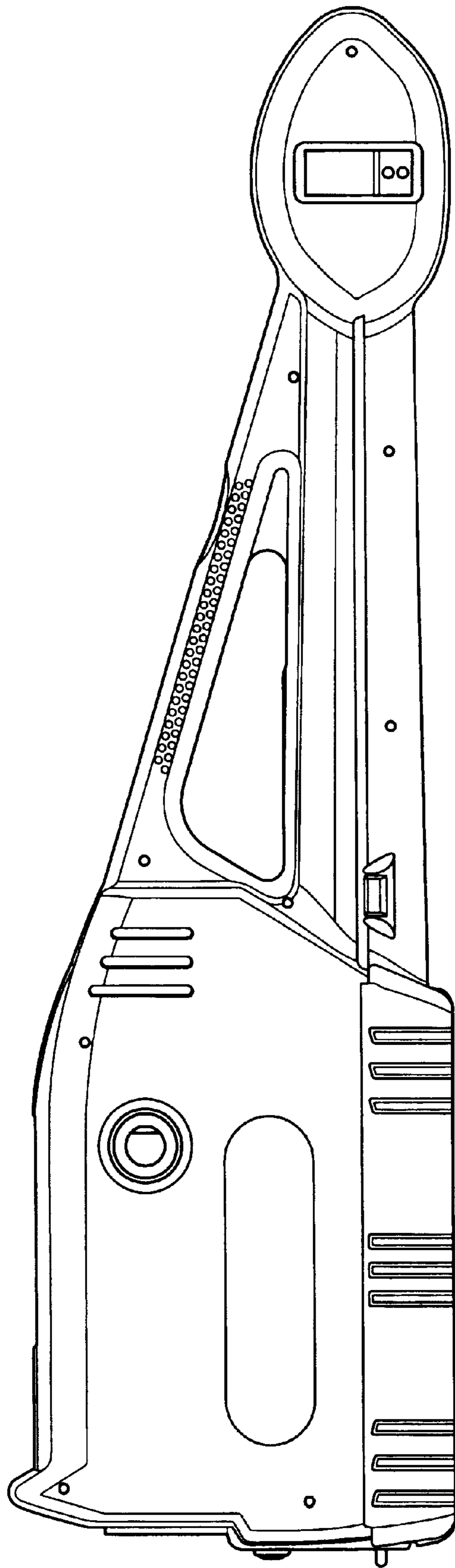


FIG. 3

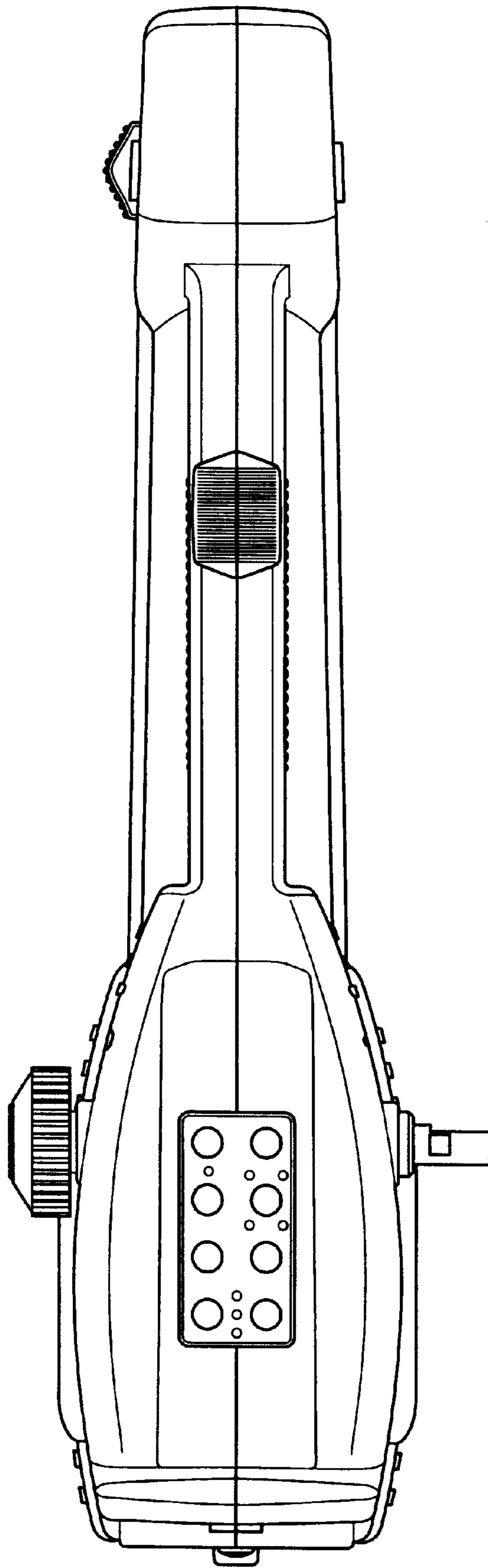


FIG. 4

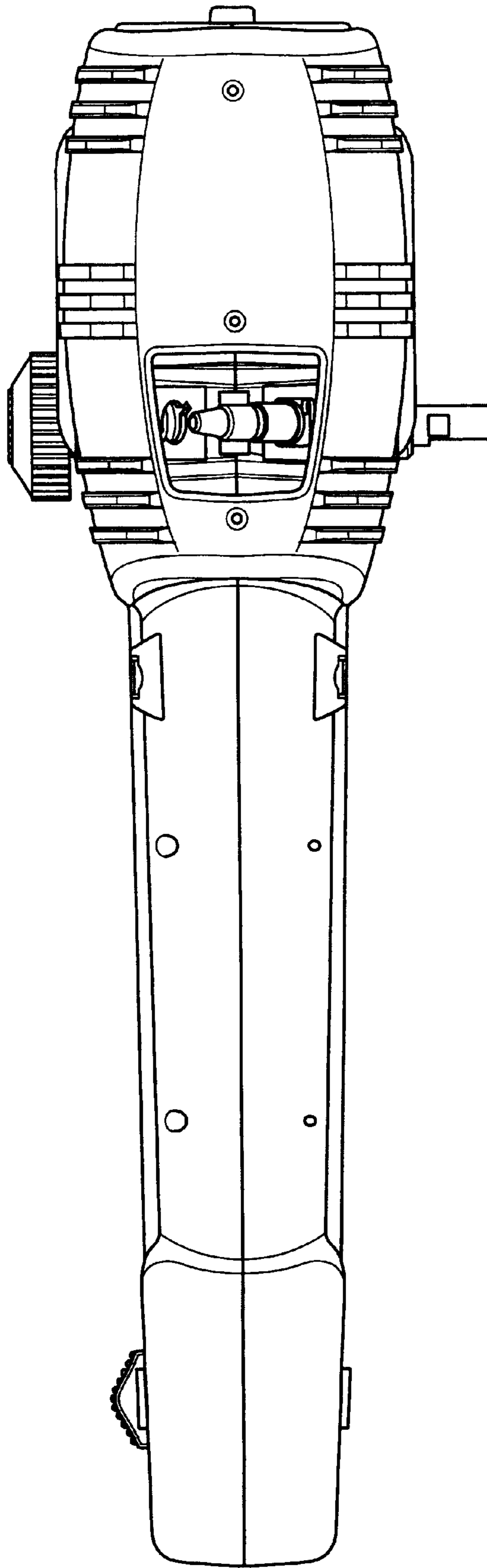


FIG. 5

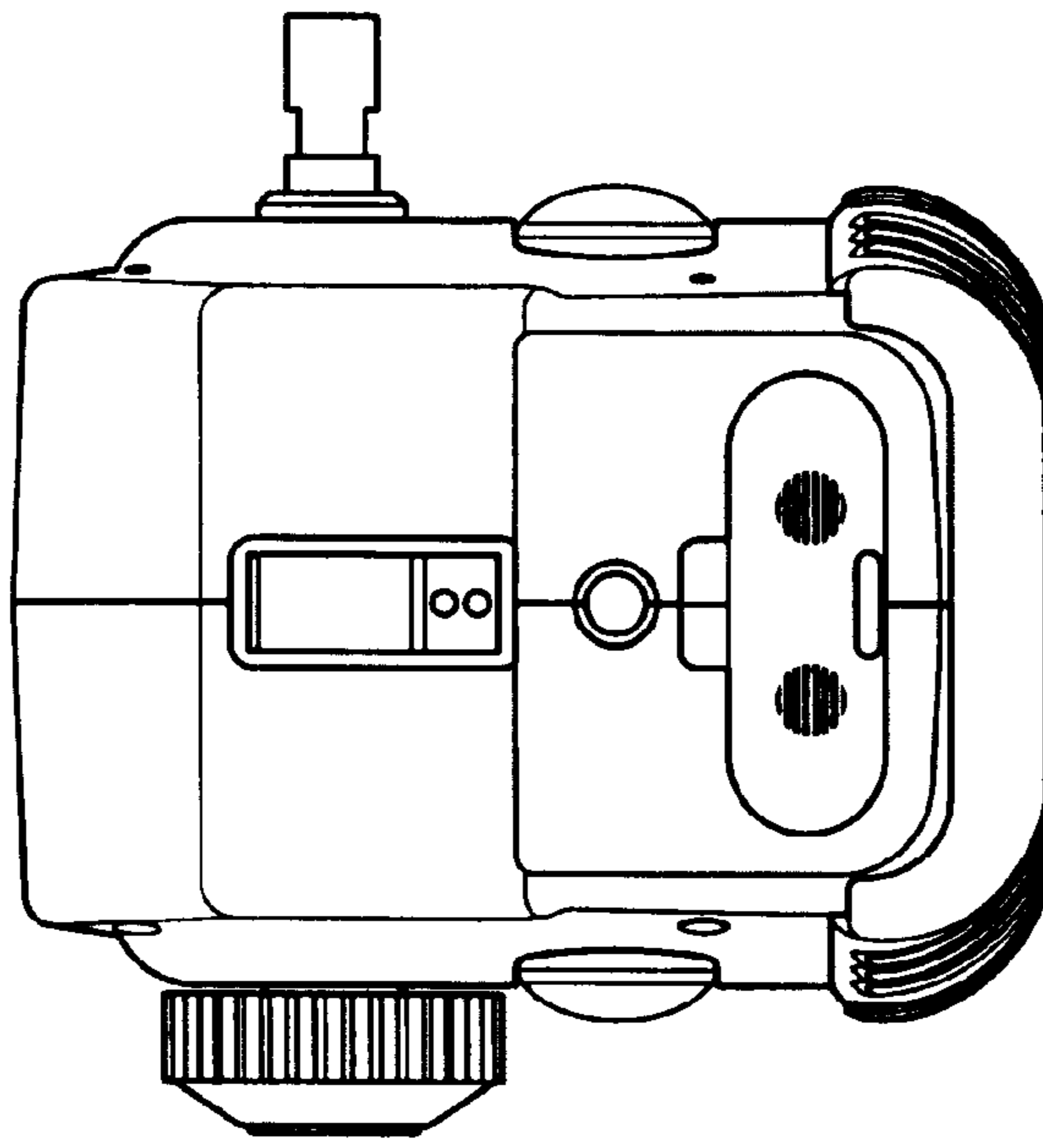


FIG. 7

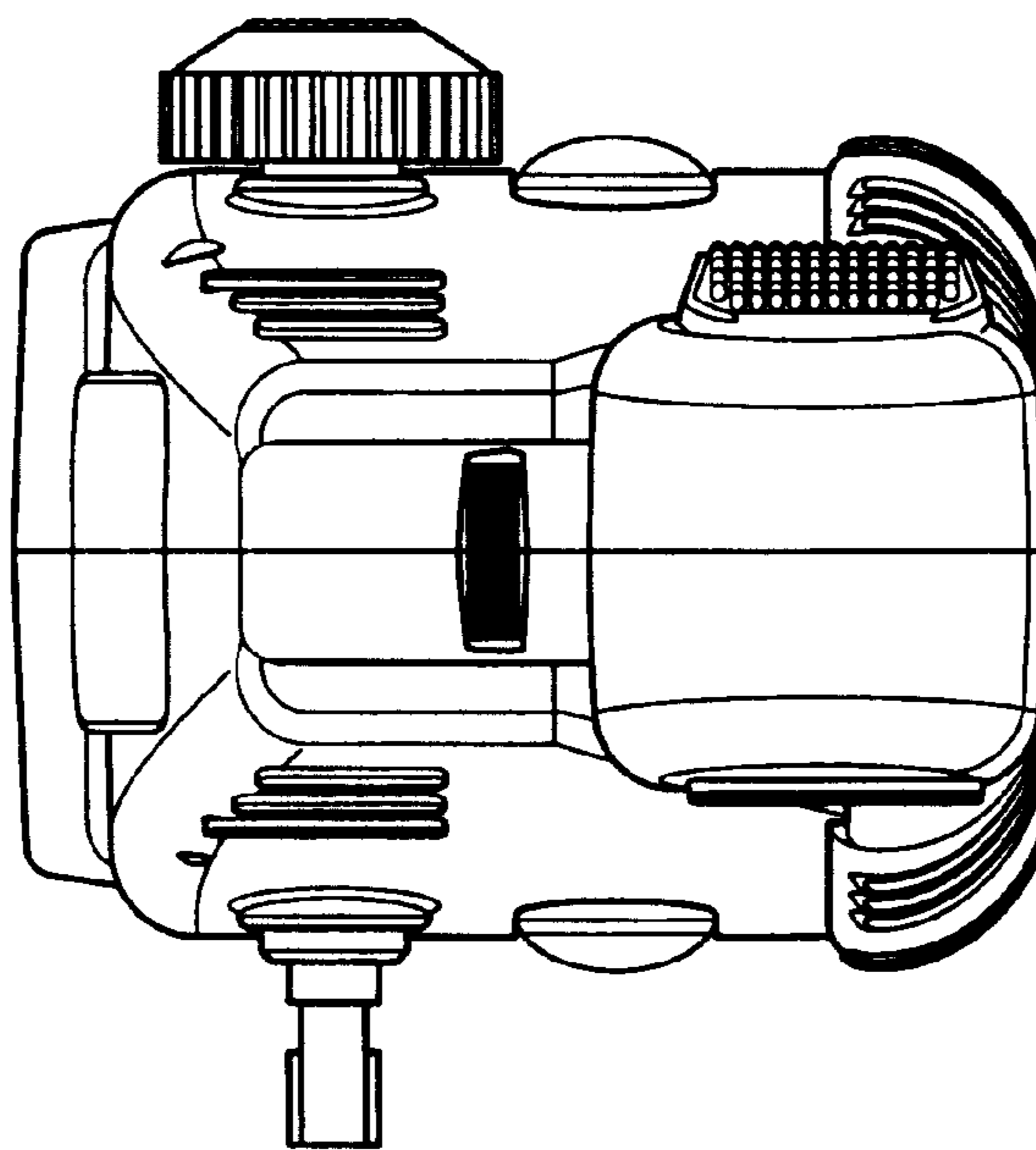


FIG. 6