



US00D446728B1

(12) **United States Design Patent**
Bakic

(10) **Patent No.:** **US D446,728 S**

(45) **Date of Patent:** **** Aug. 21, 2001**

(54) **JAR**

(75) Inventor: **Dieter Bakic**, Milan (IT)

(73) Assignee: **Dieter Bakic Design S.R.L.** (IT)

(**) Term: **14 Years**

(21) Appl. No.: **29/120,884**

(22) Filed: **Mar. 28, 2000**

(30) **Foreign Application Priority Data**

Sep. 28, 1999 (XH) DM/049 544

(51) **LOC (7) Cl.** **09-01**

(52) **U.S. Cl.** **D9/558; D9/549**

(58) **Field of Search** D9/500, 503, 504,
D9/511, 516, 520, 529, 549, 558, 574,
575; D28/76, 82, 91; 215/379, 382, 384;
206/581, 823; 132/286, 394

(56) **References Cited**

U.S. PATENT DOCUMENTS

D. 58,361 * 7/1921 Hothersall D9/511
D. 97,890 * 12/1935 Ballard D9/511

D. 107,575 * 12/1937 Kihn D9/558
D. 319,390 * 8/1991 Bareiss D9/574
D. 342,901 * 1/1994 Joo D9/529
D. 368,771 * 4/1996 Patel et al. D23/367
D. 394,012 * 5/1998 Bakic D9/545
D. 433,944 * 11/2000 Bernard D9/520
D. 435,449 * 12/2000 Moretti D9/500

* cited by examiner

Primary Examiner—Ted Shooman

Assistant Examiner—C. Tuttle

(74) *Attorney, Agent, or Firm*—Cantor Colburn LLP

(57) **CLAIM**

The ornamental design for a jar, as shown and described.

DESCRIPTION

FIG. 1 is a front perspective view of jar showing my new design;

FIG. 2 is a bottom plan view thereof;

FIG. 3 is a front view thereof, the rear being the same;

FIG. 4 is a left side view thereof, the right side being the same; and,

FIG. 5 is a top plan view thereof.

1 Claim, 2 Drawing Sheets

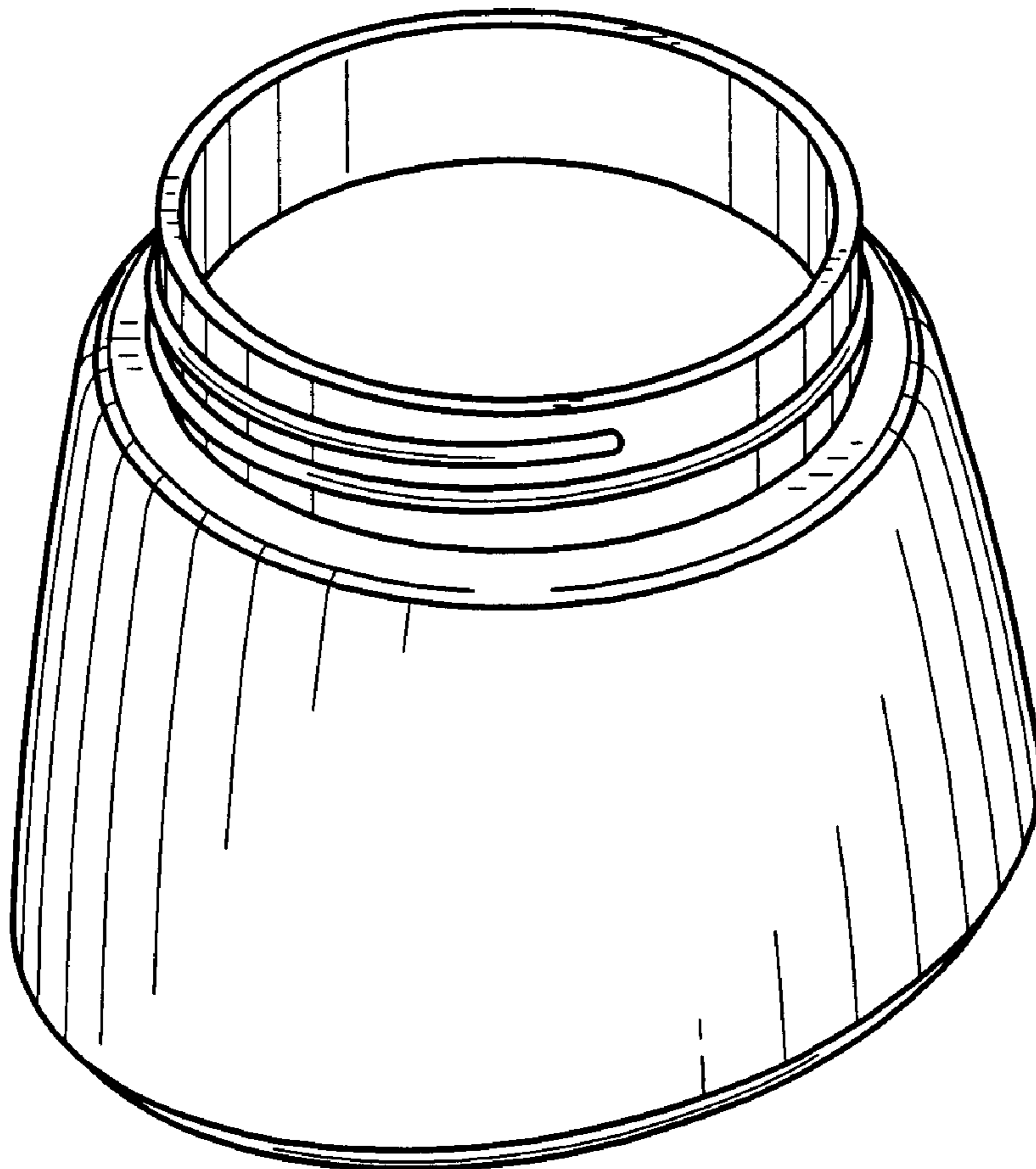


FIG. 1

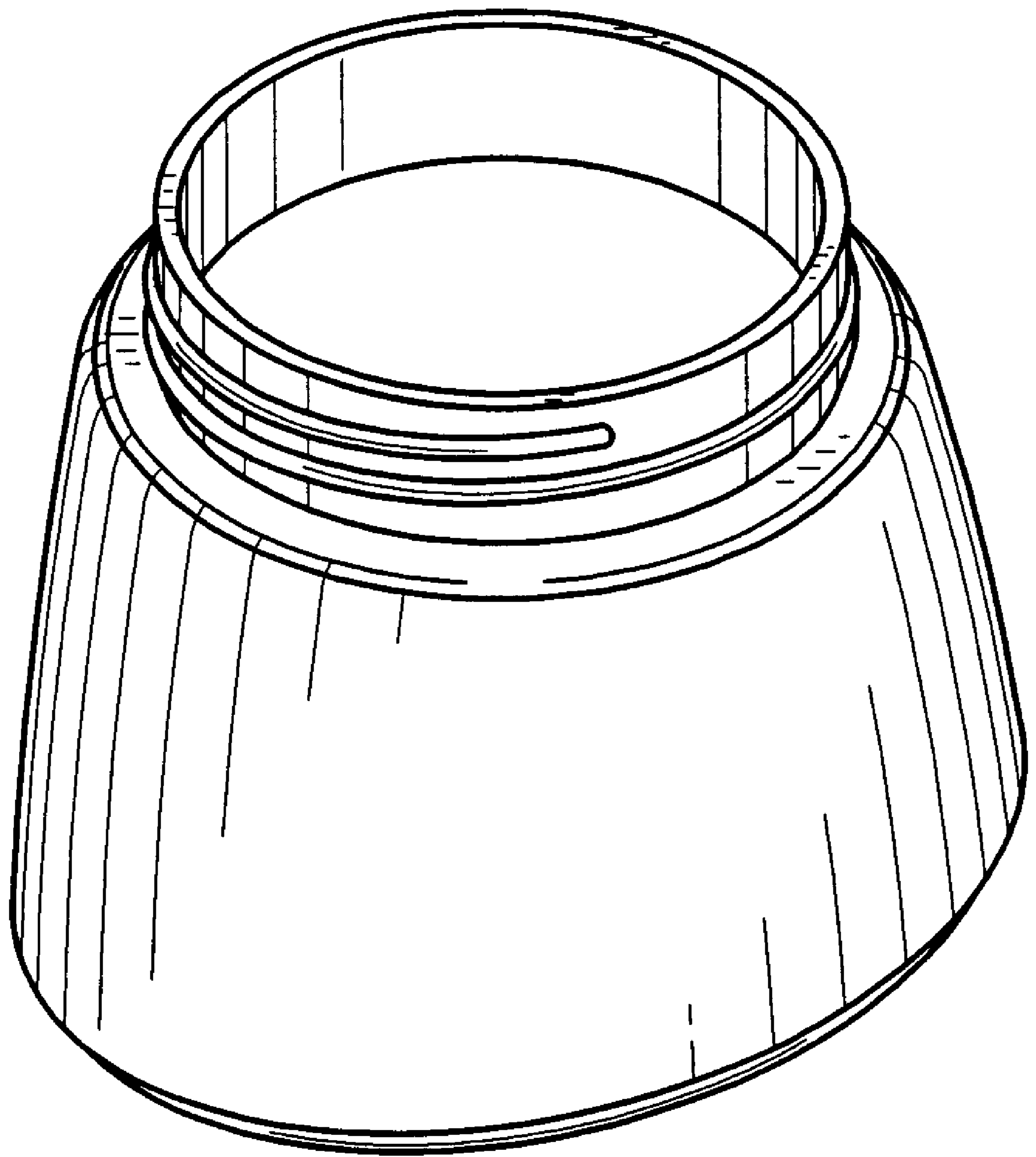


FIG. 2

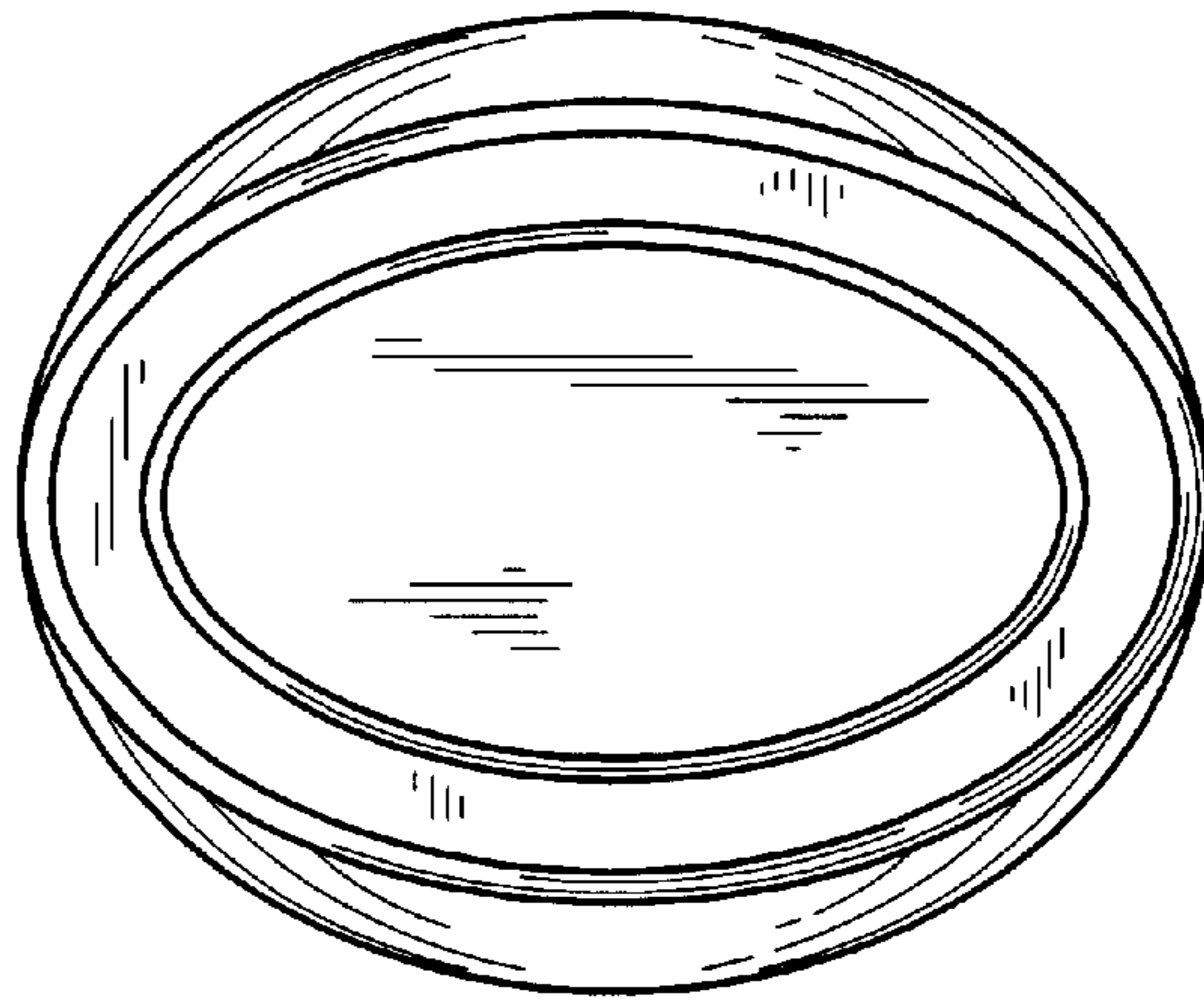


FIG. 3

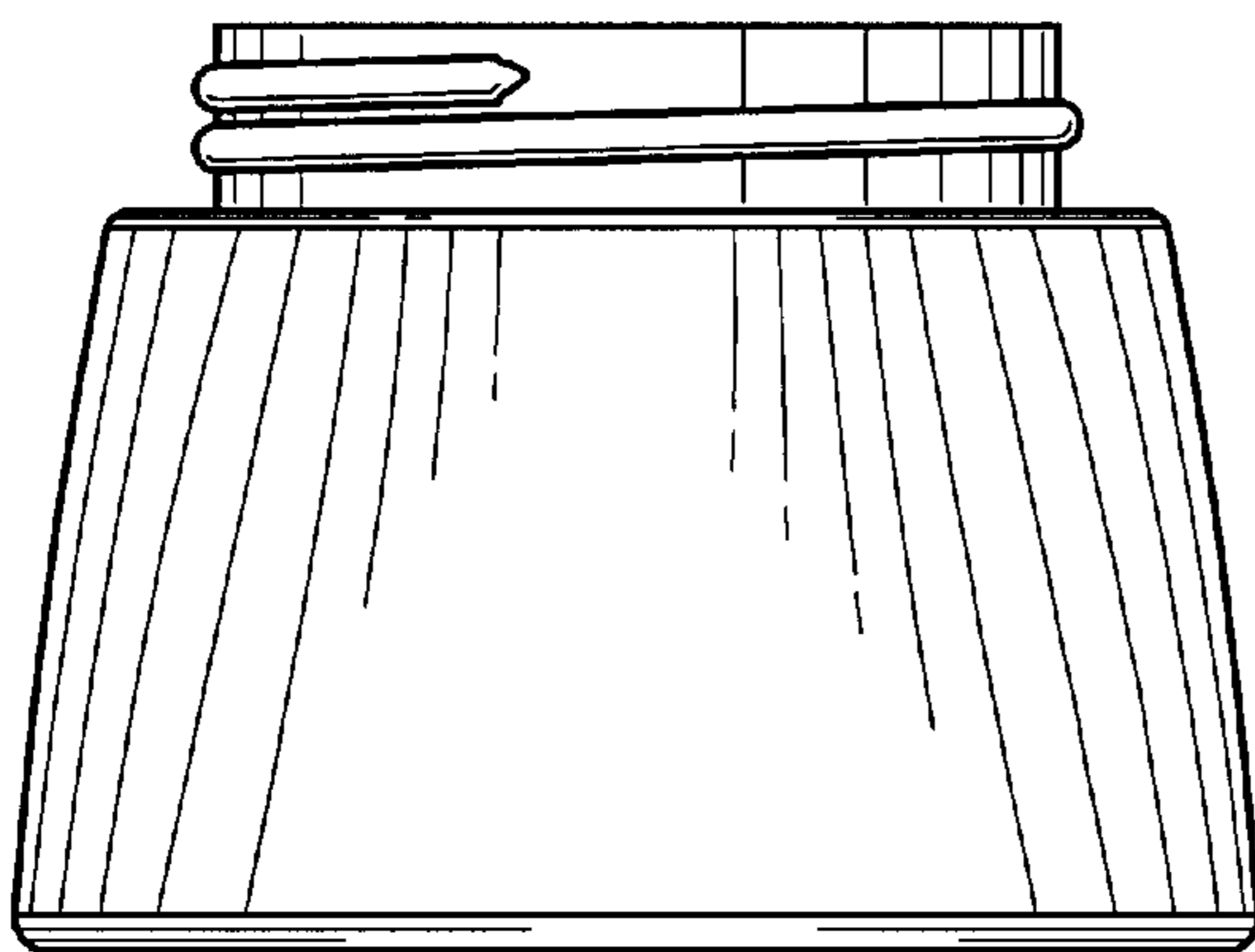


FIG. 4

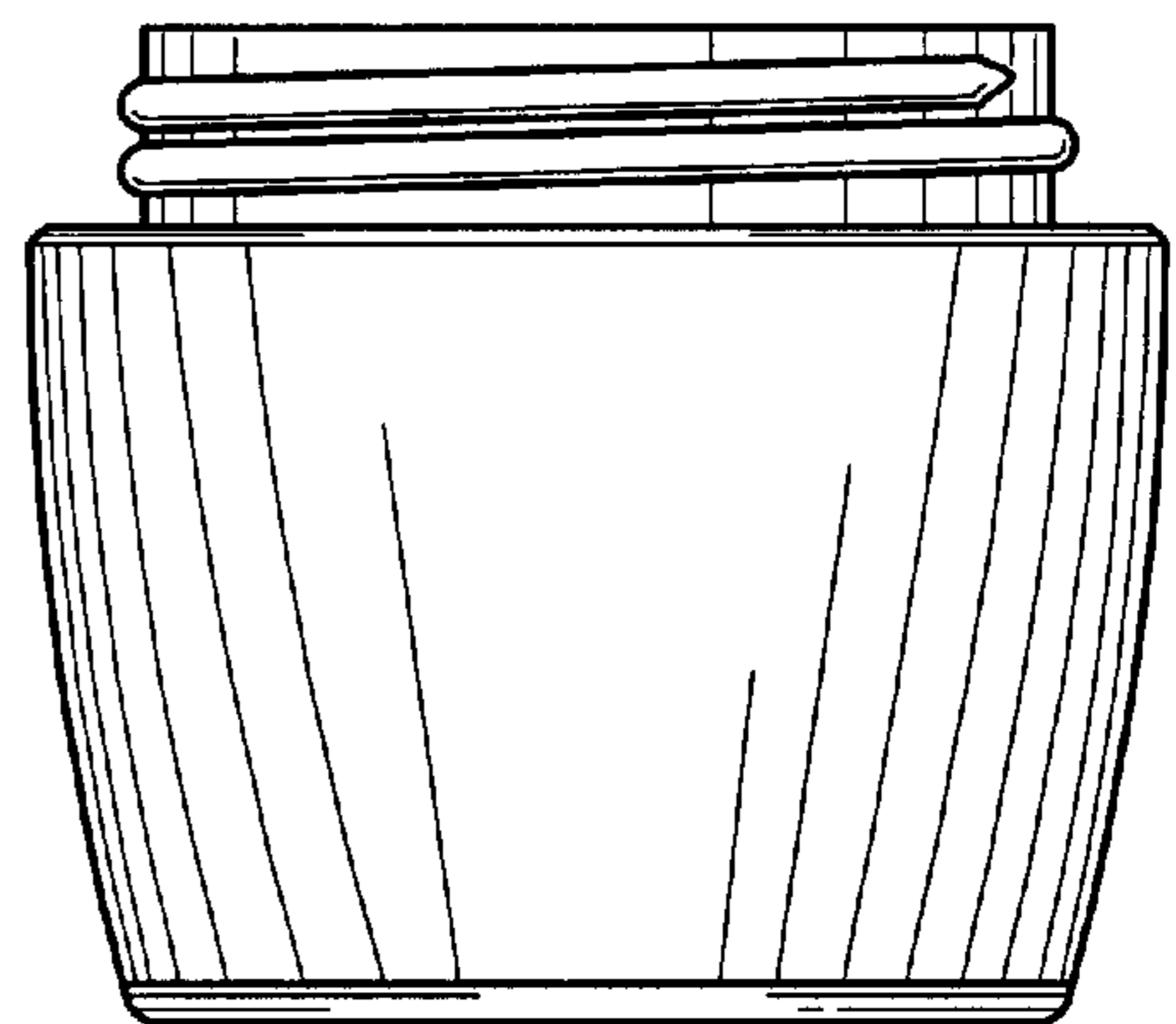


FIG. 5

