



US00D446722B1

(12) **United States Design Patent**
Morrow

(10) **Patent No.: US D446,722 S**

(45) **Date of Patent: ** Aug. 21, 2001**

(54) **THREE CLOSURE DISPENSING CAP FOR A CONTAINER**

(75) **Inventor: J. Mark Morrow, Camden, SC (US)**

(73) **Assignee: Sonoco Products Company, Hartsville, SC (US)**

(**) **Term: 14 Years**

(21) **Appl. No.: 29/133,460**

(22) **Filed: Dec. 1, 2000**

(51) **LOC (7) Cl. 09-07**

(52) **U.S. Cl. D9/449; D9/447; D7/596**

(58) **Field of Search D9/435, 438, 447, D9/449, 454; D7/300.1, 591, 596, 629, 630; 215/235, 237; 220/259, 339; 222/456, 480, 565, 566**

(56) **References Cited**

U.S. PATENT DOCUMENTS

D. 249,642	*	9/1978	Ames	D9/447
D. 291,411	*	8/1987	Crawford	D9/440
D. 291,536	*	8/1987	Crawford et al.	D9/440
D. 339,065	*	9/1993	Forsyth et al.	D9/447
D. 385,791	*	11/1997	Forsyth et al.	D9/447
D. 405,011	*	2/1999	DeCoster et al.	D9/447
3,018,931		1/1962	Westgate	222/480
3,057,525		10/1962	Malachick	222/482
3,140,019		7/1964	Barr	222/480
4,106,672		8/1978	Tecco et al.	222/151
4,541,541		9/1985	Hichman et al.	220/253
4,658,980		4/1987	Lindstrom	220/214
4,693,399		9/1987	Hickman et al.	220/339
4,714,181		12/1987	Kozlowski et al.	222/480
4,792,054		12/1988	Weidman	222/23
4,936,494		6/1990	Weidman	222/480
5,330,082		7/1994	Forsyth	222/480
5,339,993		8/1994	Groya et al.	222/153
5,407,107		4/1995	Smith	222/548
5,507,419		4/1996	Martin et al.	480/222

5,601,213	*	2/1997	Daniello	222/456
5,697,533		12/1997	Shahbazian	222/480
5,706,981		1/1998	Nobakht	222/132
5,799,838		9/1998	Miller	222/480
5,897,036		4/1999	DeCoster et al.	222/480

FOREIGN PATENT DOCUMENTS

2 135 981 A 9/1984 (GB).

OTHER PUBLICATIONS

Two photographs of two closure lid, 1993.

* cited by examiner

Primary Examiner—Cathron C. Brooks

(74) *Attorney, Agent, or Firm*—Banner & Witcoff, Ltd.

(57) **CLAIM**

The ornamental design for a three closure dispensing cap for a container, as shown and described.

DESCRIPTION

FIG. 1 is a perspective view of a dispensing cap showing a first embodiment of my new design, shown with the closures in the closed position;

FIG. 2 is a top plan view of the dispensing cap of FIG. 1; FIG. 3 is a perspective view of the dispensing cap of FIG. 1 shown with the closures in an open position;

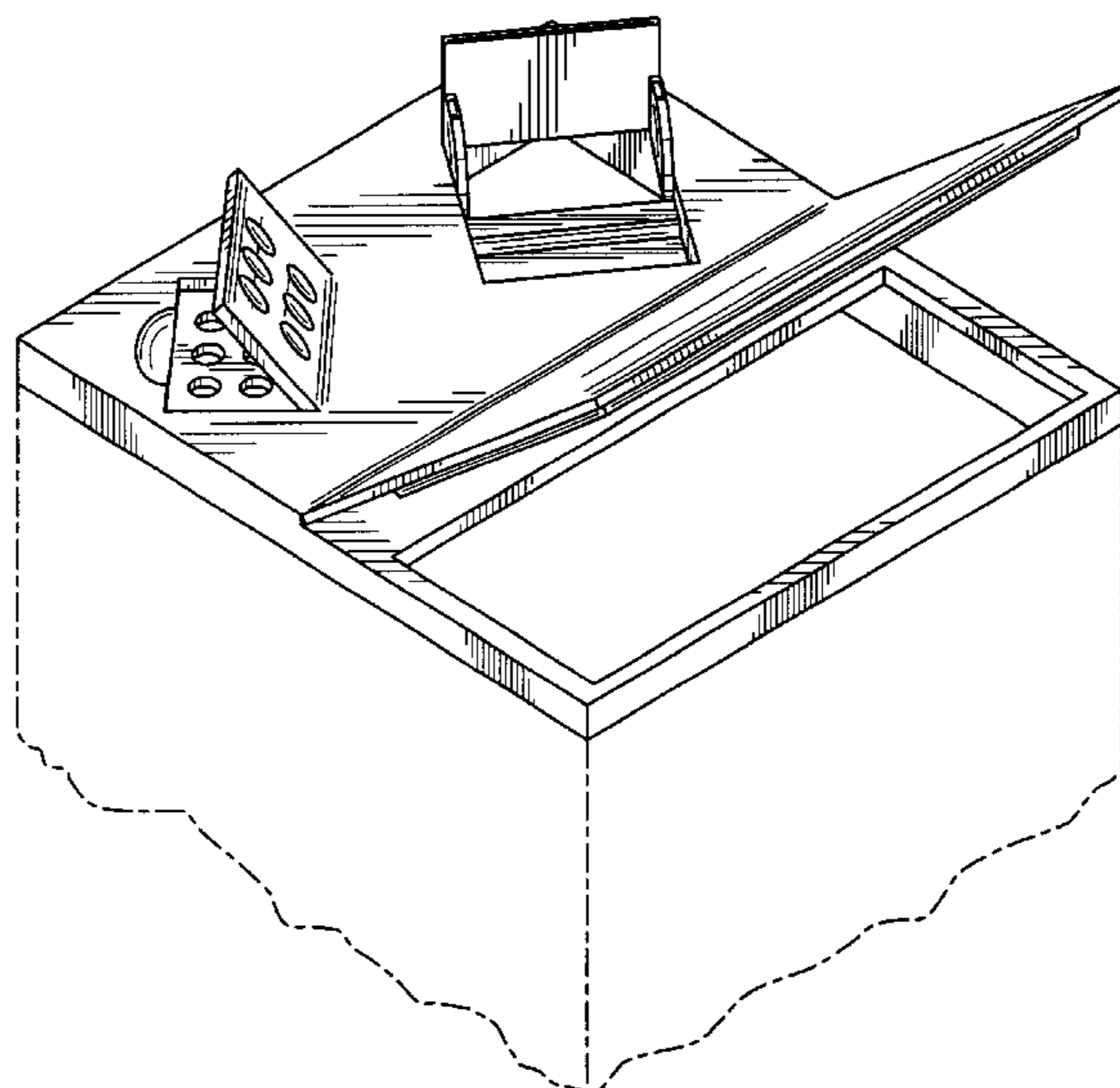
FIG. 4 is a perspective view of a dispensing cap showing a second embodiment of my new design, shown with the closures in the closed position;

FIG. 5 is a top plan view of the dispensing cap of FIG. 4; and,

FIG. 6 is a perspective view of the dispensing cap of FIG. 4.

The broken line showing of the array of circles in the rectangular closure in FIGS. 1–3, the circles underneath the small rectangular closure in FIG. 3, and the remainder of the container body is for illustrative purposes only and forms no part of the claimed design.

1 Claim, 6 Drawing Sheets



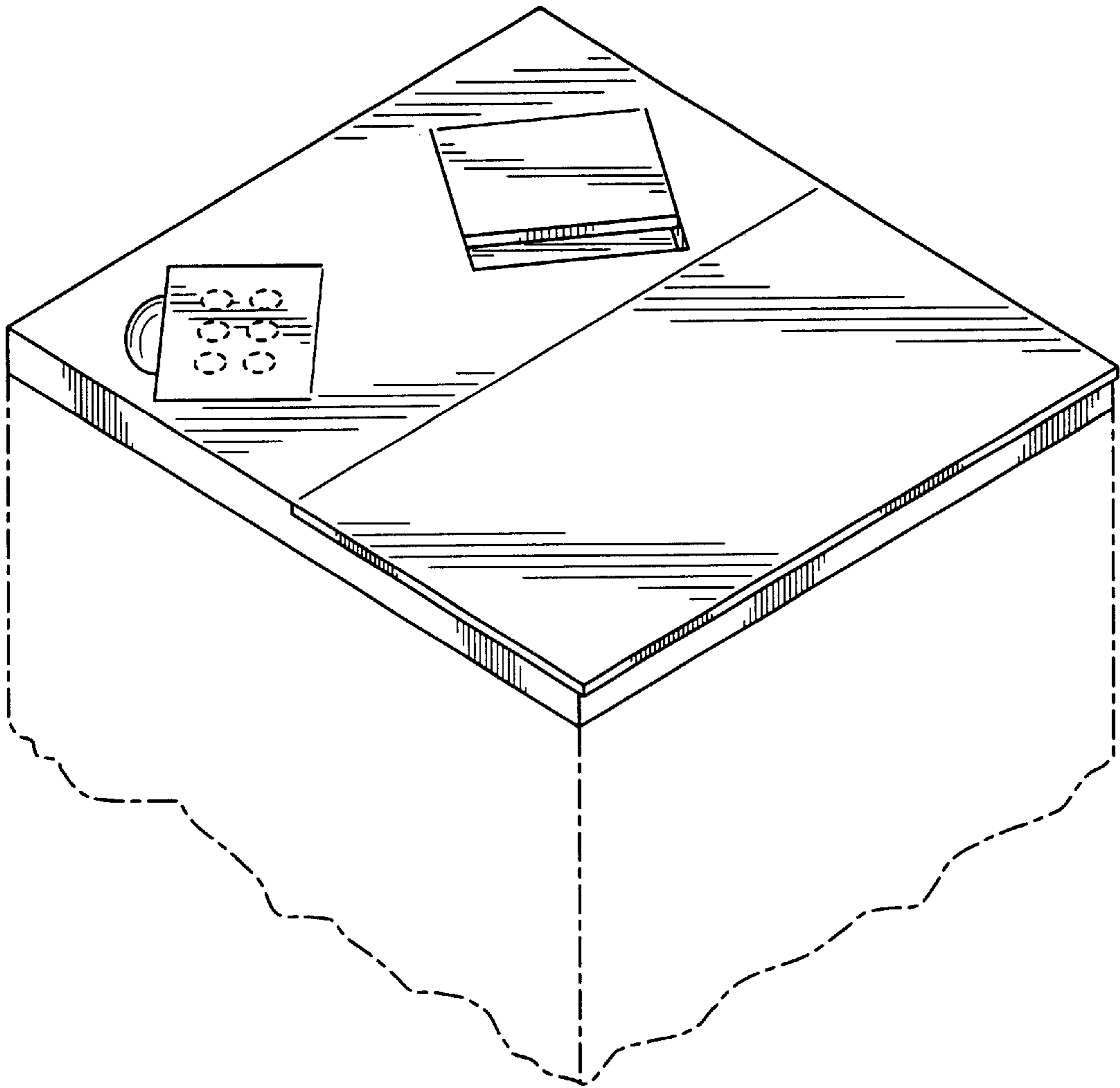


FIG. 1

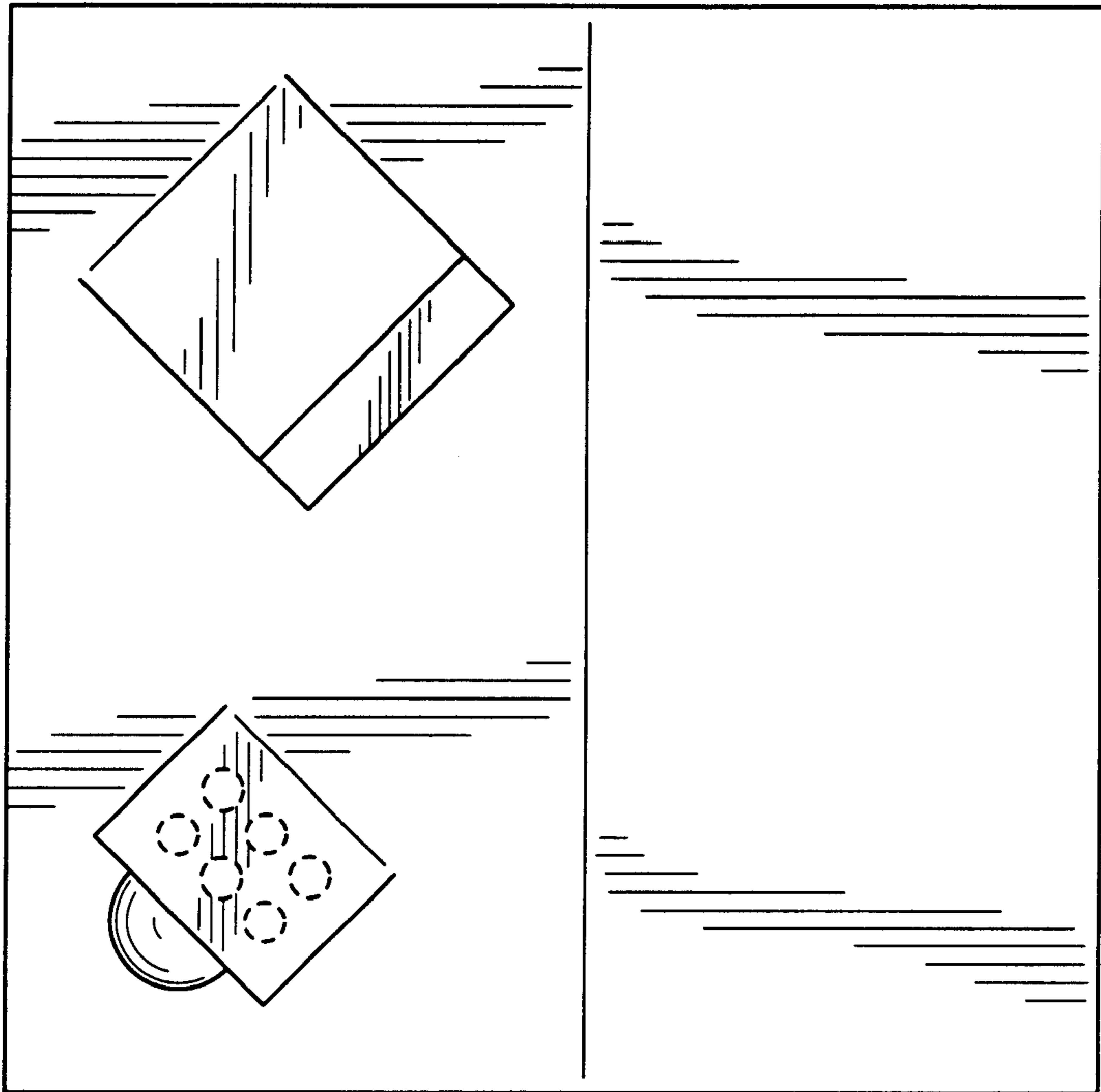


FIG. 2

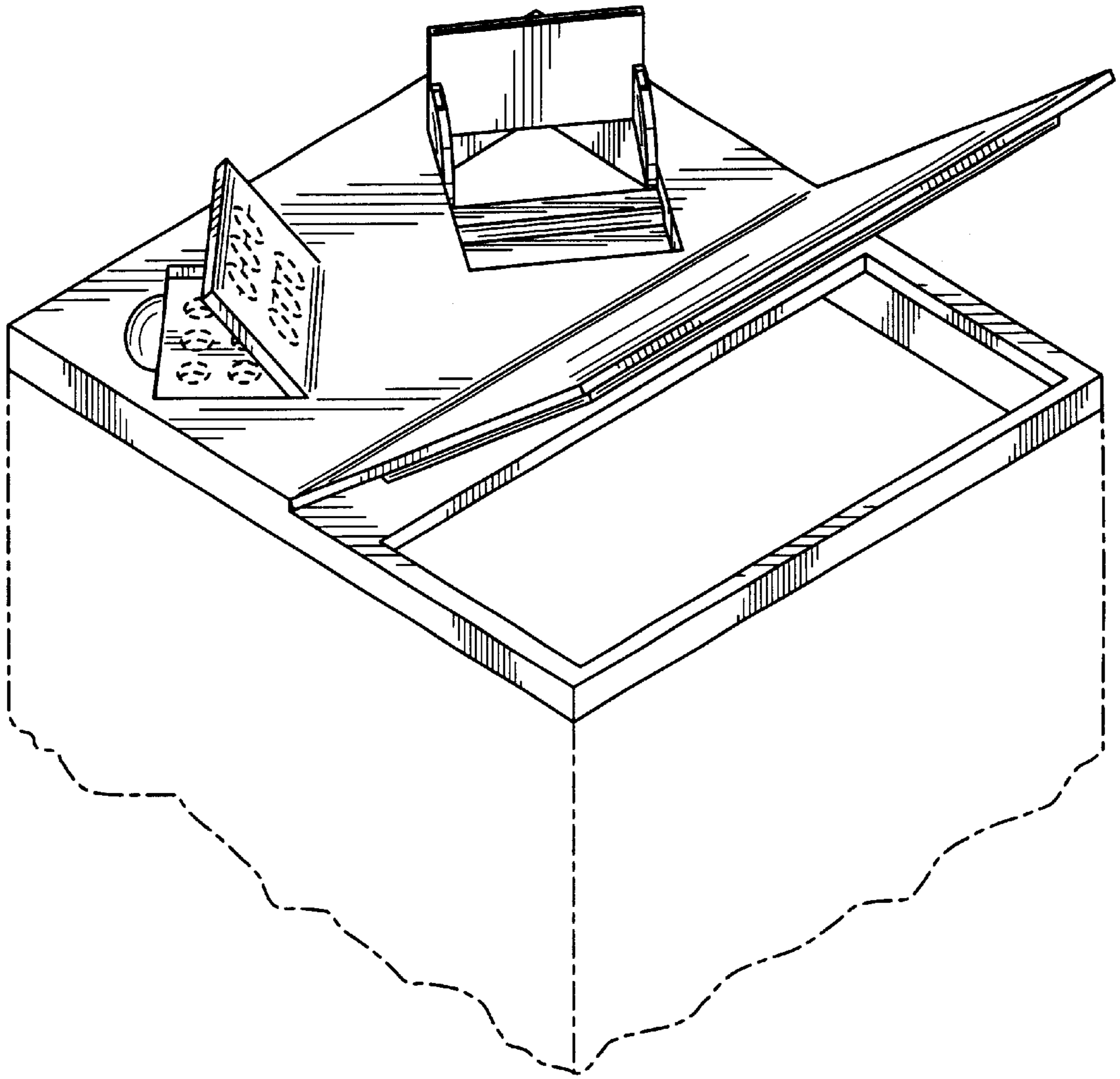


FIG. 3

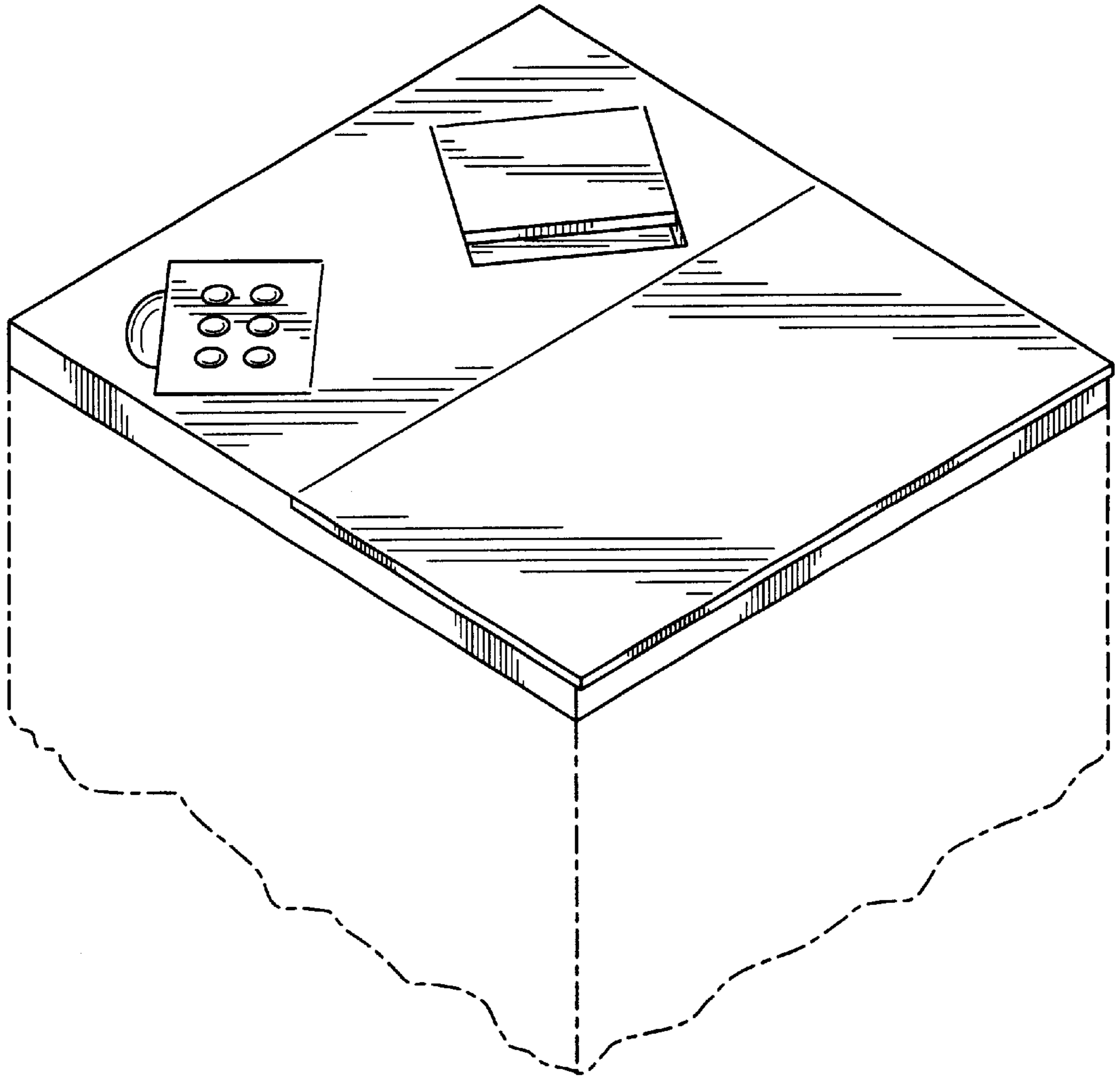


FIG. 4

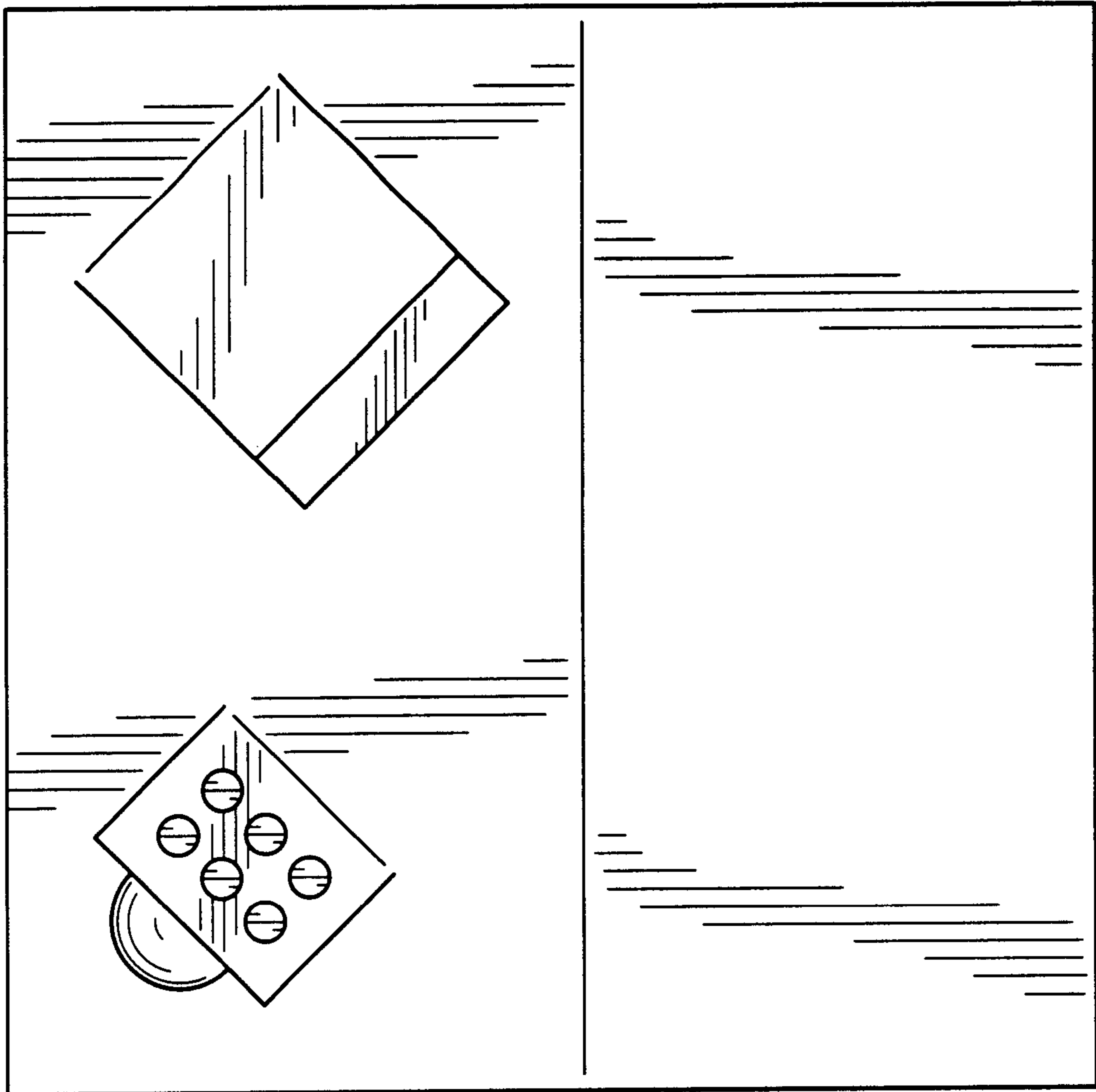


FIG. 5

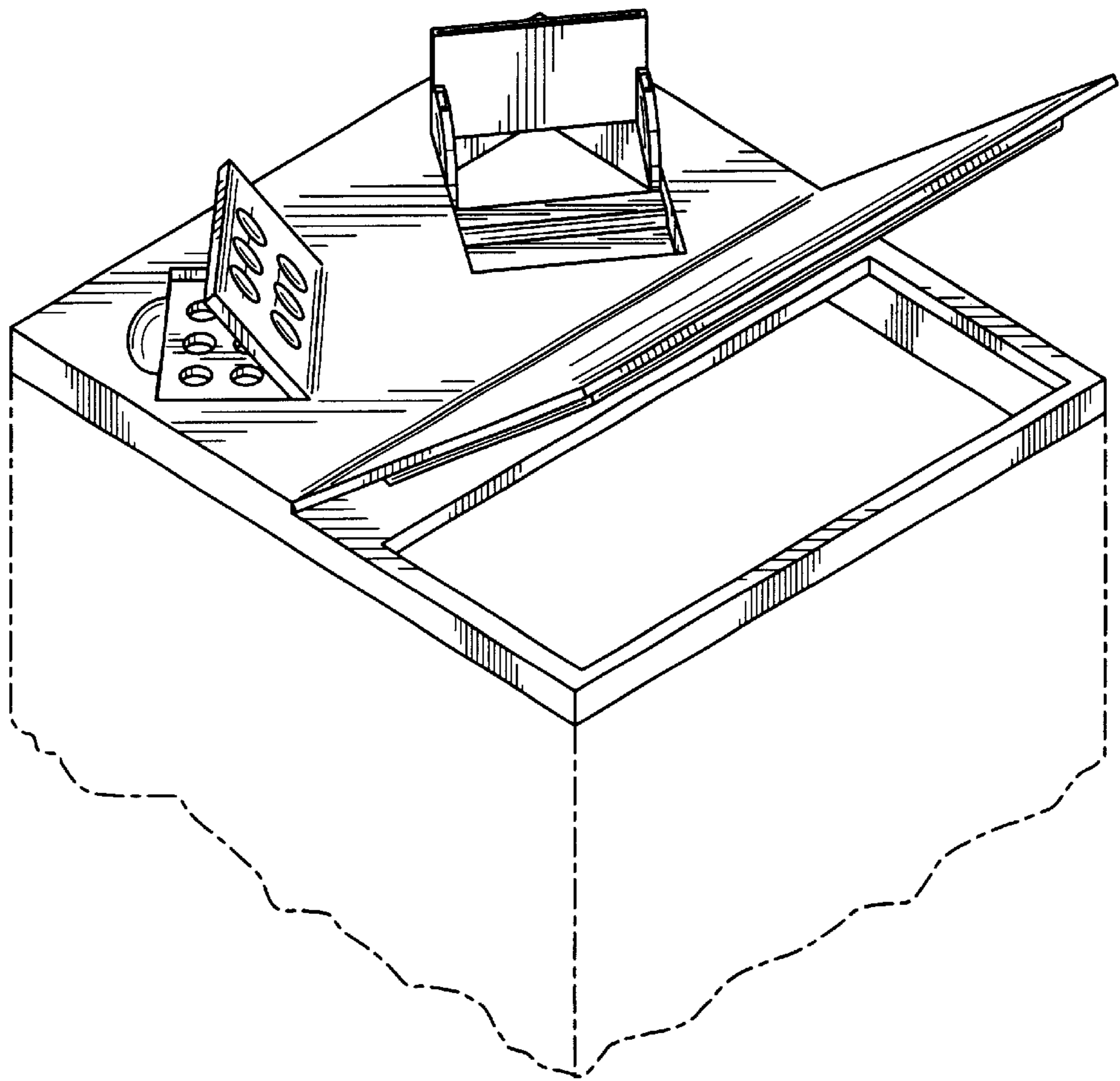


FIG. 6