



US00D446715B1

(12) **United States Design Patent**
Humphrey

(10) **Patent No.:** **US D446,715 S**

(45) **Date of Patent:** **** Aug. 21, 2001**

(54) **PACKAGE**

(75) **Inventor:** **Neill W. Humphrey**, El Dorado Hills, CA (US)

(73) **Assignee:** **Trade Source International**, El Dorado Hills, CA (US)

(**) **Term:** **14 Years**

(21) **Appl. No.:** **29/133,236**

(22) **Filed:** **Nov. 21, 2000**

(51) **LOC (7) Cl.** **09-03**

(52) **U.S. Cl.** **D9/415**

(58) **Field of Search** D9/415, 418, 337, D9/341, 346, 430; 206/461-471, 495, 320, 775-783, 756, 757, 765

4,669,610	6/1987	Lindsey et al. .	
4,702,368	10/1987	Jones .	
4,702,374	10/1987	Kelner .	
4,781,289	11/1988	Perkins .	
4,823,960	4/1989	Perlberg et al. .	
4,848,577	7/1989	Hoffman et al. .	
4,901,858	2/1990	Anderson .	
5,002,187	3/1991	Rysner et al. .	
5,064,056	11/1991	Gresh .	
5,188,222	2/1993	Pierce .	
5,452,802	9/1995	Green .	
5,495,937	3/1996	Fraser .	
5,626,226	5/1997	Gardiner et al. .	
5,890,593	* 4/1999	Humphrey	206/471
5,947,291	* 9/1999	Humphrey	206/463

OTHER PUBLICATIONS

Techform Inc., Nov. 1882.*

* cited by examiner

Primary Examiner—Prabhakar Deshmukh
(74) *Attorney, Agent, or Firm*—Oppenheimer, Wolff & Donnelly LLP

(56) **References Cited**

U.S. PATENT DOCUMENTS

D. 309,262	7/1990	Coiner .	
D. 321,323	11/1991	Nakamura .	
D. 332,744	* 1/1993	McCooney	D9/415
D. 394,384	* 5/1998	Humphrey	D9/415
D. 414,108	* 9/1999	Humphrey	D9/415
D. 435,442	* 12/2000	Candelin	D9/415
1,784,937	12/1930	Kreslawsky .	
2,727,620	* 12/1955	Buttery	206/779
2,873,023	2/1959	Erickson .	
3,064,402	11/1962	Crane .	
3,416,656	12/1968	Addiego .	
3,420,361	1/1969	Newberg .	
3,493,103	* 2/1970	Cote	206/418
4,099,612	7/1978	Hanson .	
4,307,803	12/1981	Johnson .	
4,415,084	11/1983	Hauser et al. .	
4,531,637	7/1985	Cusmano .	
4,627,536	* 12/1986	Pugh	206/426

(57) **CLAIM**

The ornamental design for a package, as shown and described.

DESCRIPTION

FIG. 1 is a front perspective view of a package showing my new design;
FIG. 2 is a bottom perspective view thereof;
FIG. 3 is a front elevational view thereof;
FIG. 4 is a right side elevational view of the package of FIG. 1, the left side view being a mirror image thereof; and,
FIG. 5 is a front elevational view of another embodiment of the package of FIG. 1.

1 Claim, 3 Drawing Sheets

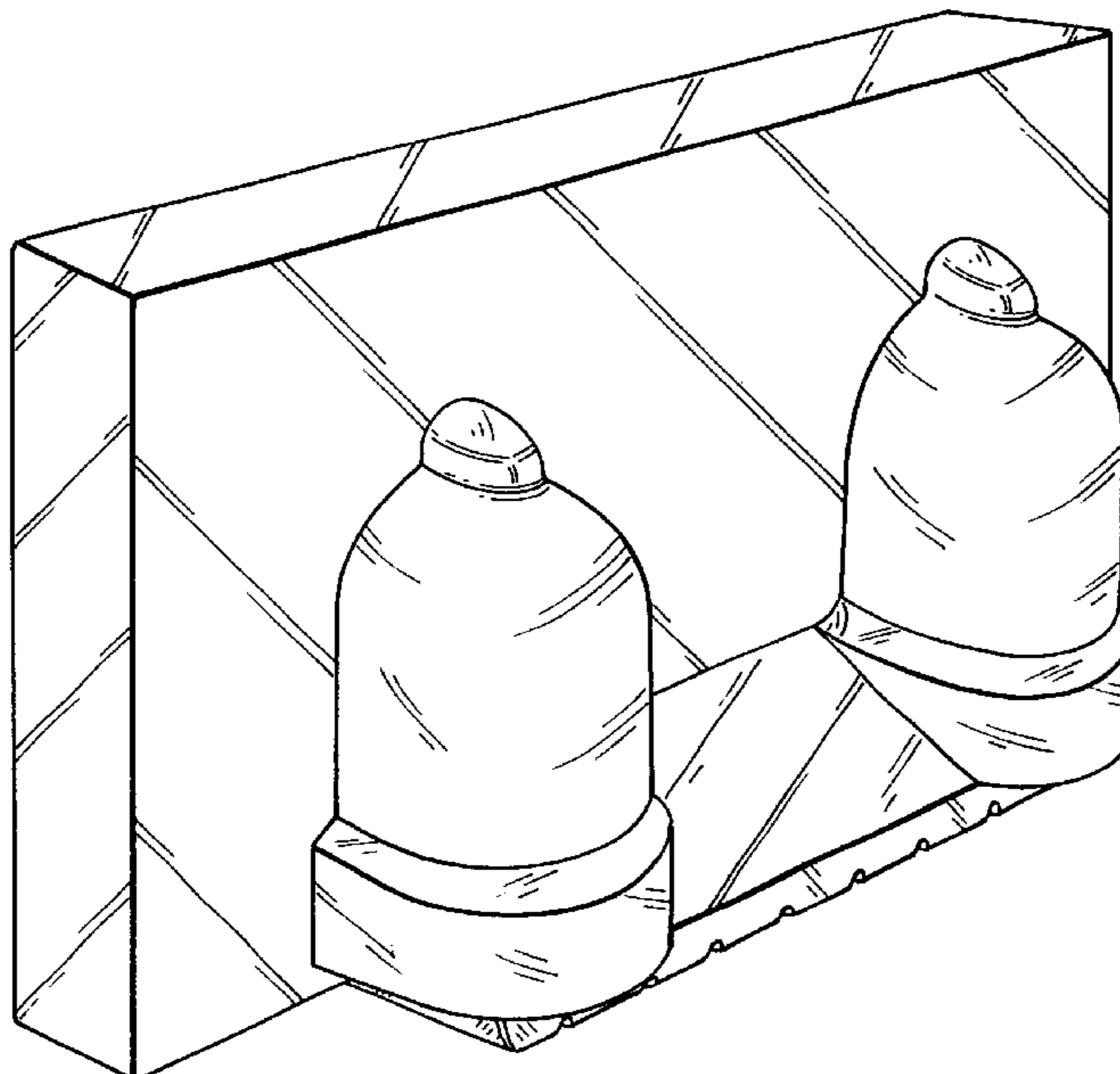


FIG. 1

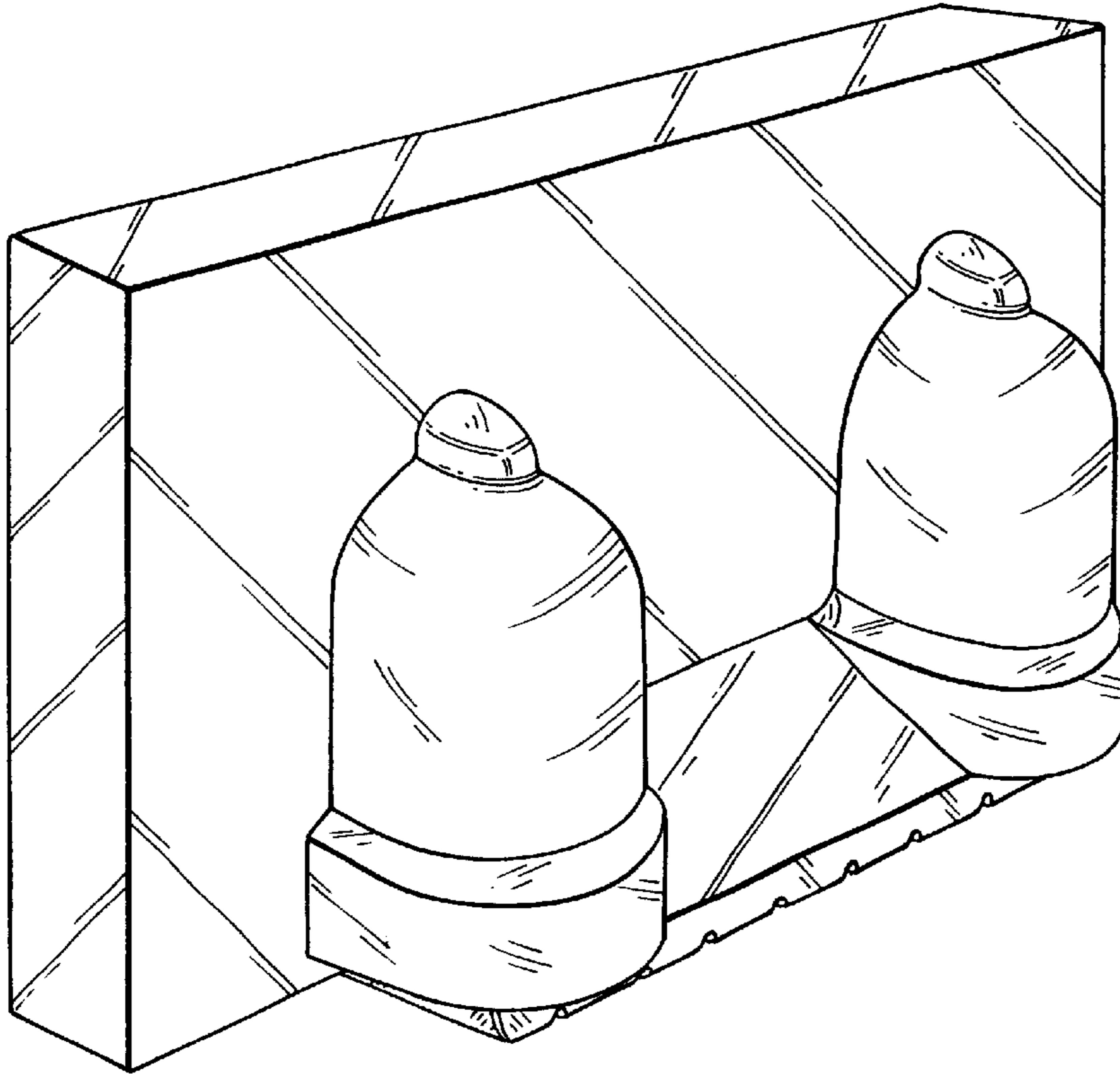


FIG. 2

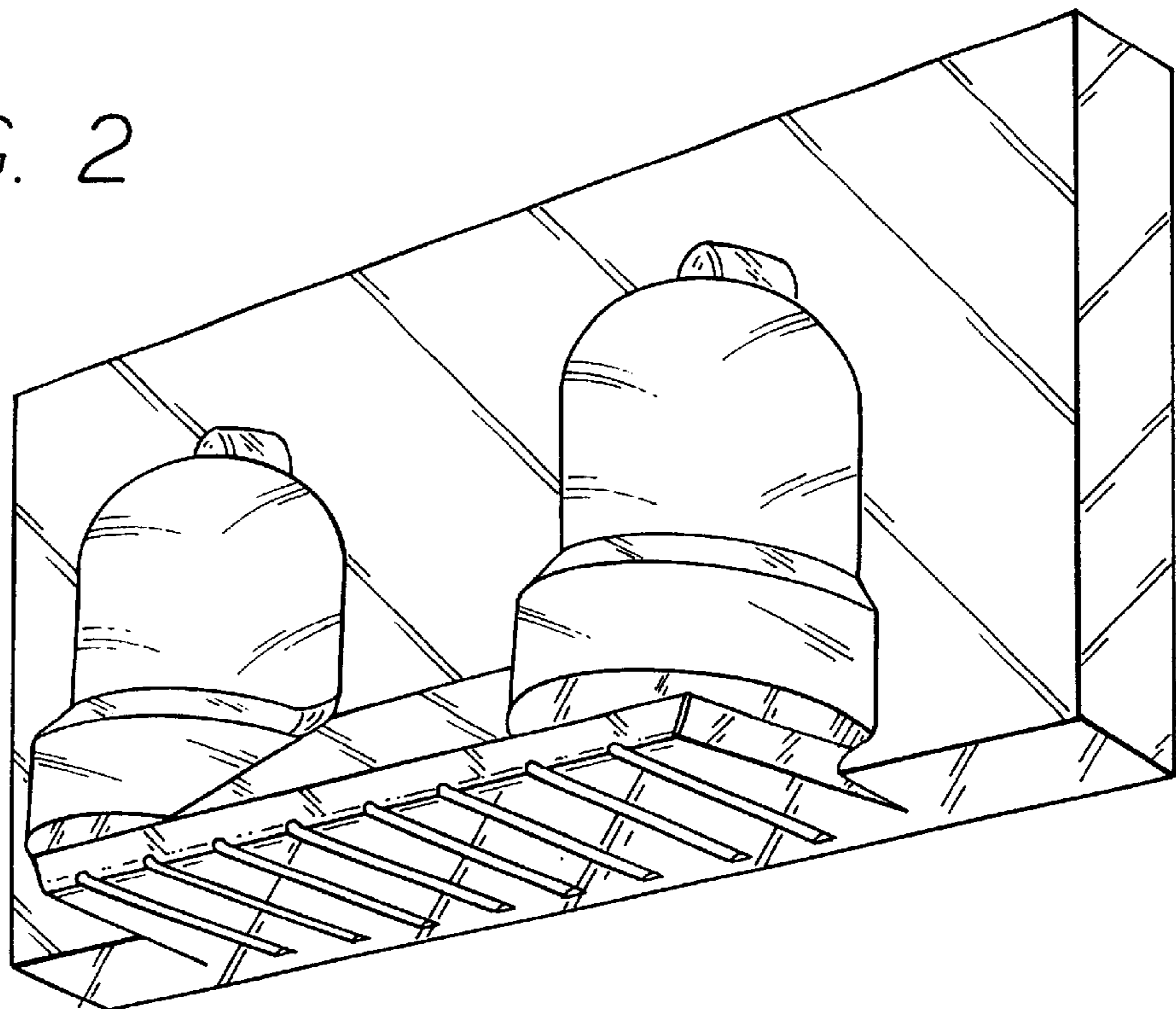


FIG. 4

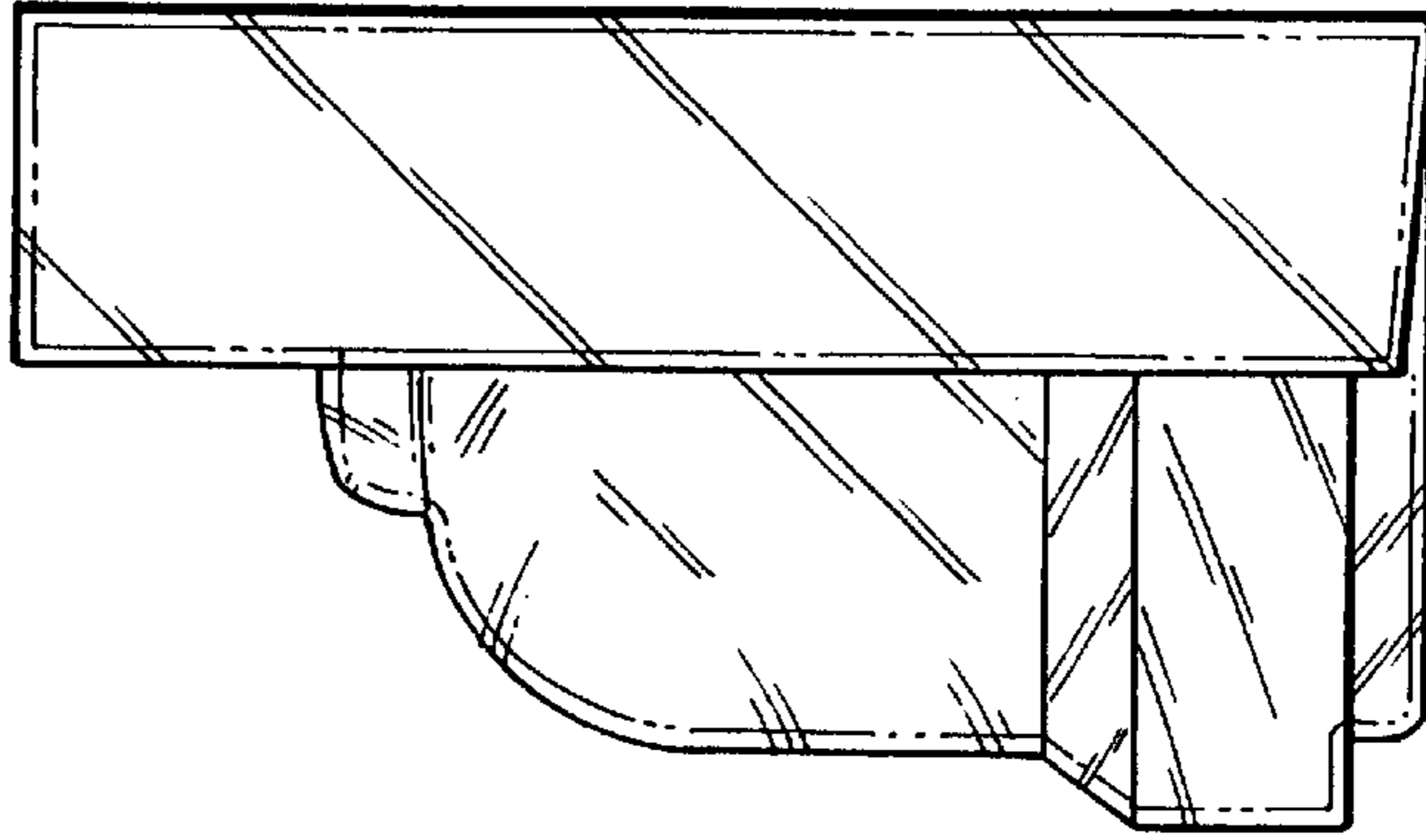


FIG. 3

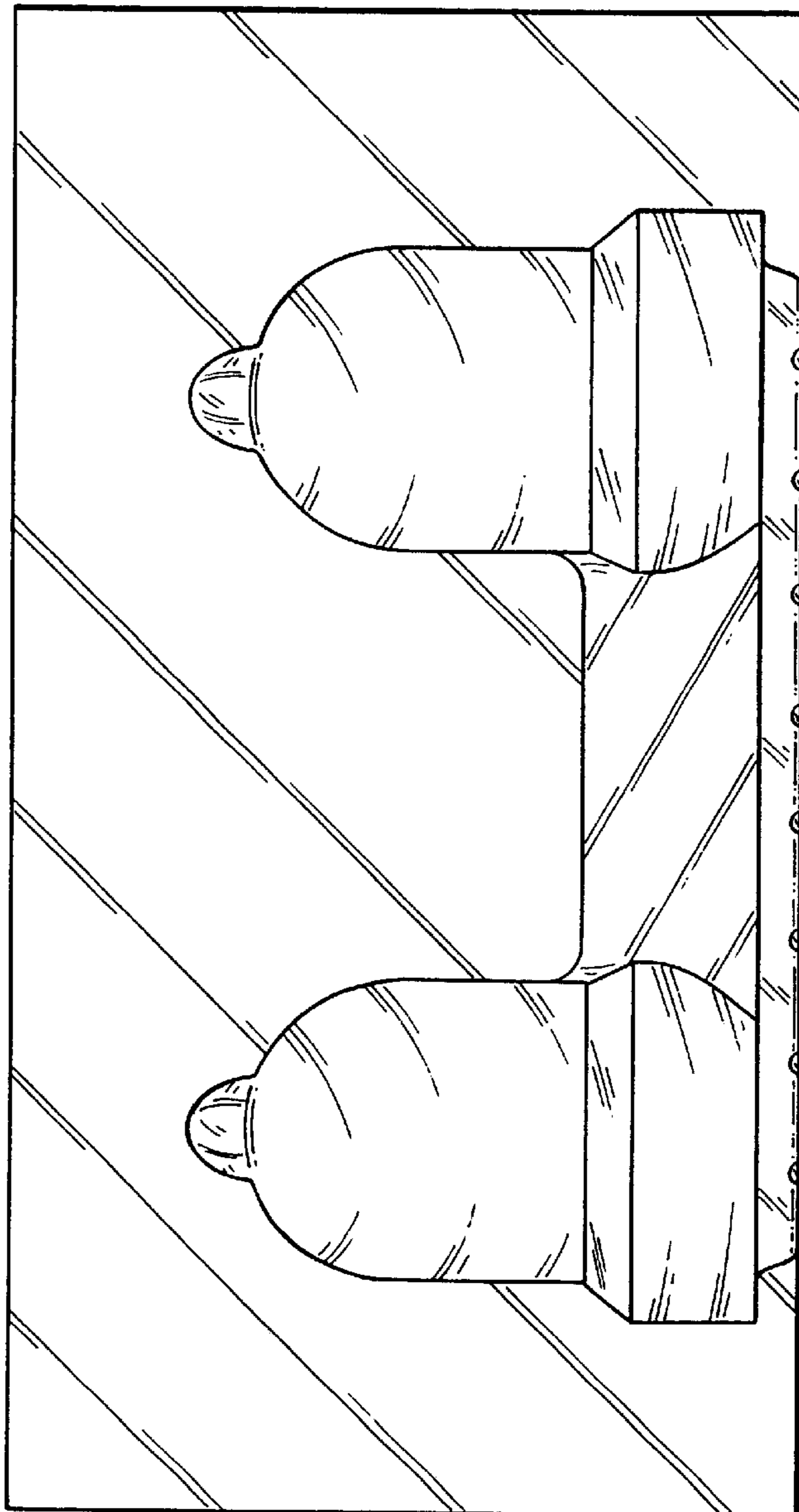


FIG. 5

