



US00D446713B1

(12) **United States Design Patent**  
**Adam**

(10) **Patent No.:** **US D446,713 S**

(45) **Date of Patent:** **\*\* Aug. 21, 2001**

(54) **TRANSPARENT BOX FOR DISPLAY AND STORAGE**

5,918,741 \* 7/1999 Vasudeva ..... 206/376

\* cited by examiner

(76) Inventor: **John M. Adam**, 818 Colston Rd.,  
Marietta, GA (US) 30060

*Primary Examiner*—Prabhakar Deshmukh  
(74) *Attorney, Agent, or Firm*—Harry I. Leon

(\*\*) Term: **14 Years**

(57) **CLAIM**

(21) Appl. No.: **29/128,501**

The ornamental design for a transparent box for display and storage, as shown and described.

(22) Filed: **Aug. 28, 2000**

**DESCRIPTION**

(51) **LOC (7) Cl.** ..... **09-03**

(52) **U.S. Cl.** ..... **D9/415**

(58) **Field of Search** ..... D9/415, 414, 422,  
D9/432, 337; 206/461–471, 806, 495, 508;  
229/122, 162; 220/836–839, 376, 380

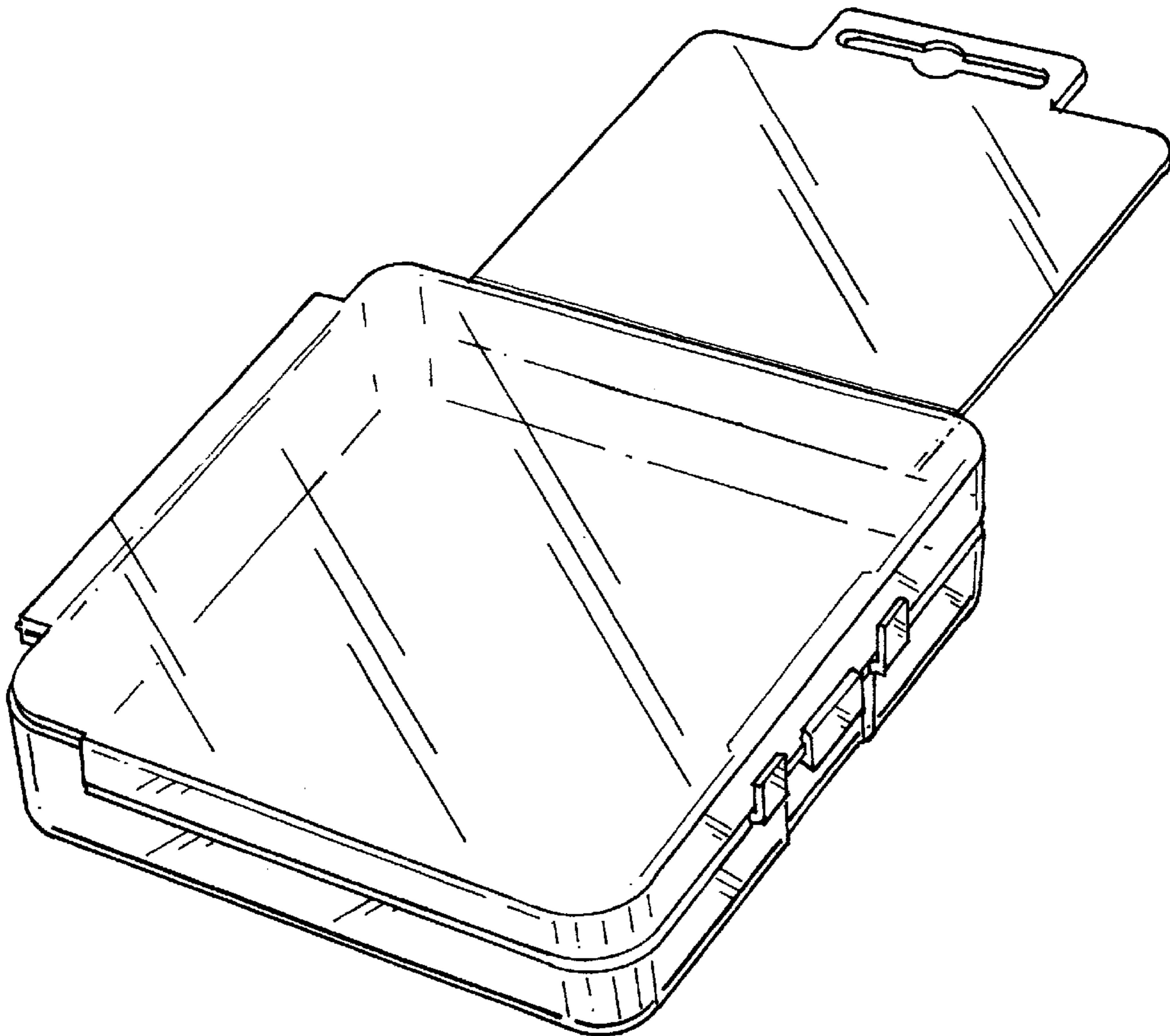
FIG. 1 is an top perspective view of the transparent box for display and storage box shown in closed position;  
FIG. 2 is an top perspective view of the transparent box for display and storage box shown in open position, a set of golf tees being shown in broken lines for illustration purposes only and forming no part of the claimed design;  
FIG. 3 is a top plan view thereof;  
FIG. 4 is a left end view thereof;  
FIG. 5 is a rear side view thereof;  
FIG. 6 is a bottom plan view thereof;  
FIG. 7 is a right end view thereof; and,  
FIG. 8 is a front side view thereof.

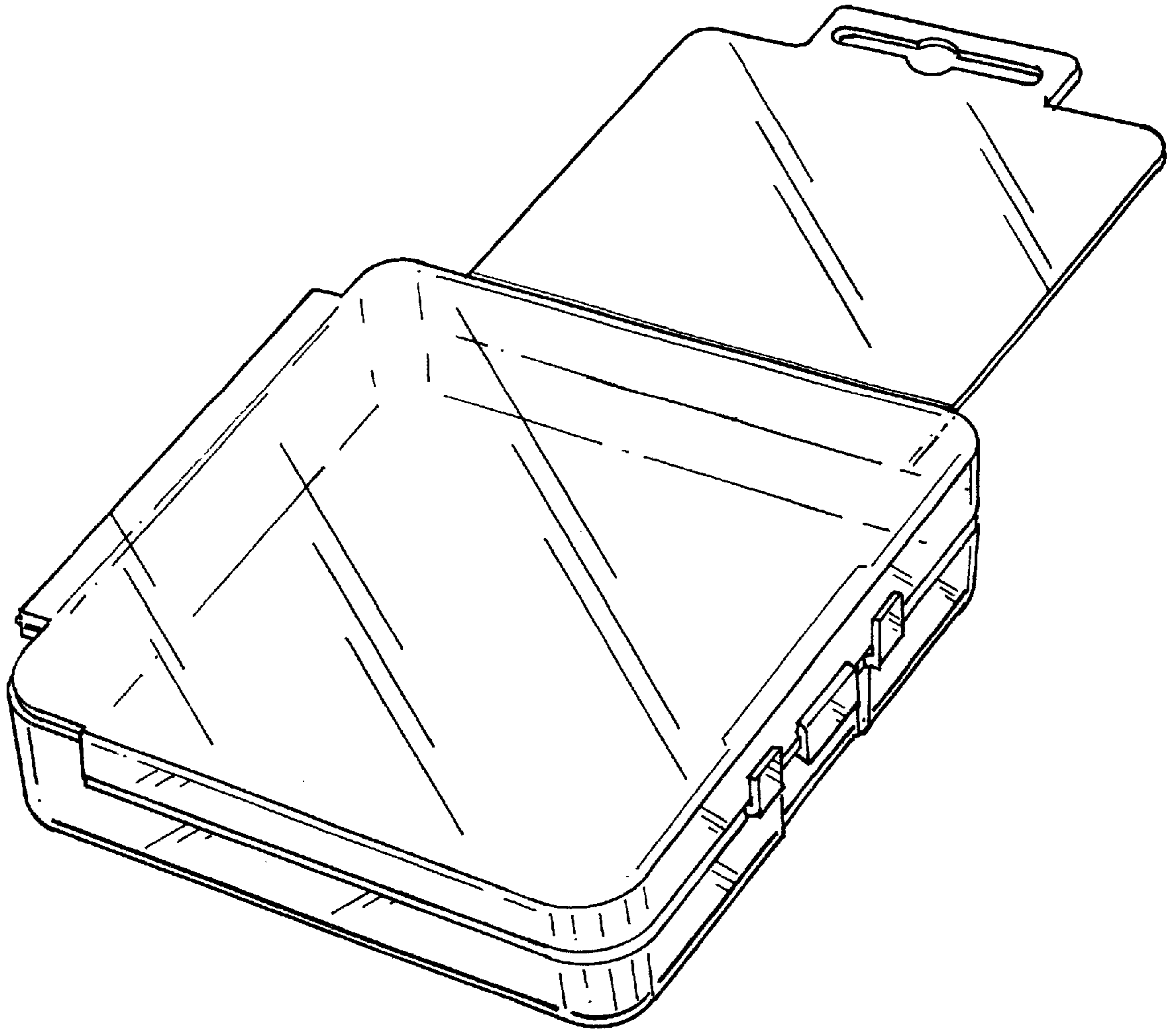
(56) **References Cited**

**U.S. PATENT DOCUMENTS**

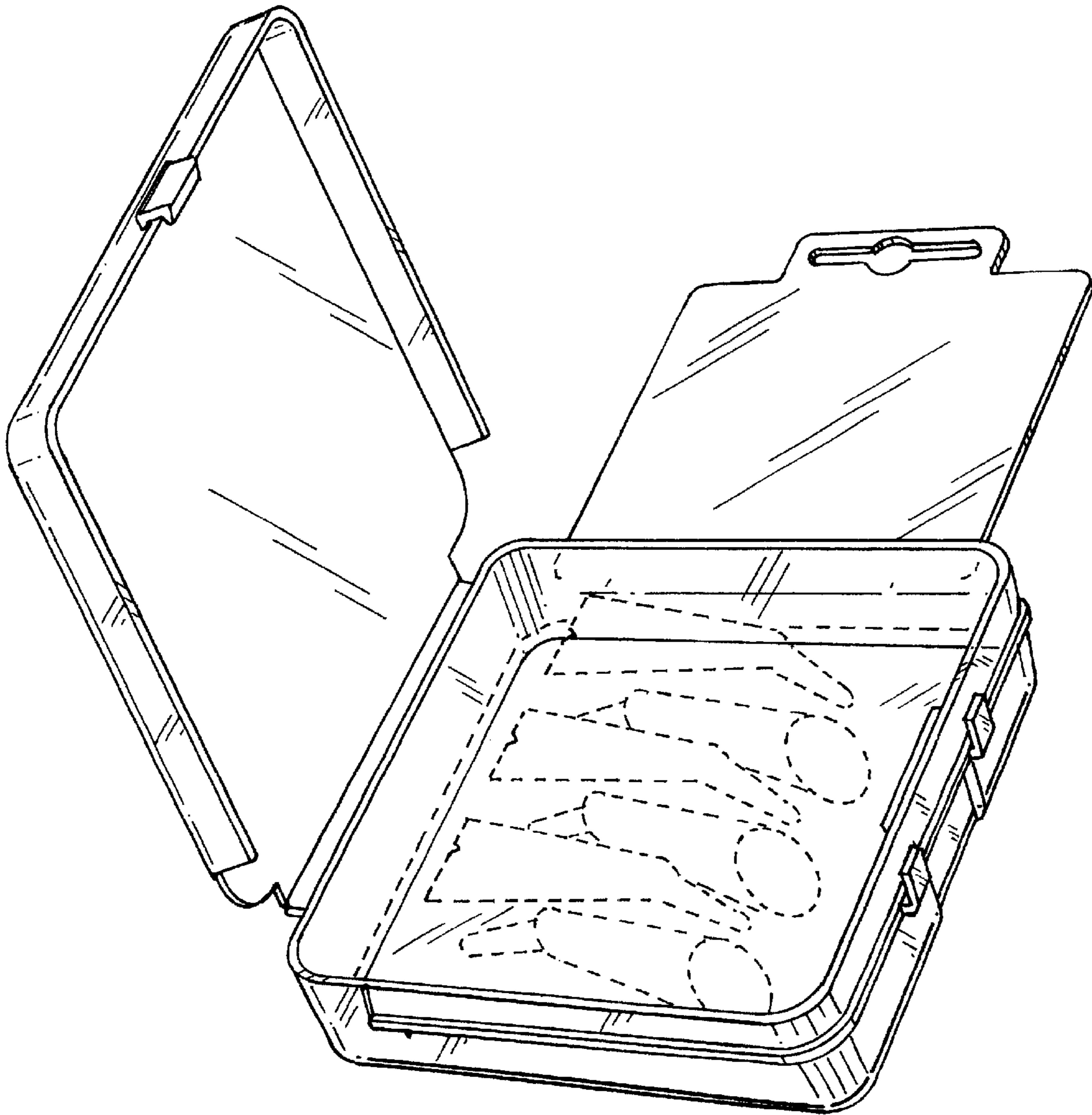
|            |   |         |                |       |           |
|------------|---|---------|----------------|-------|-----------|
| D. 227,081 | * | 6/1973  | Alexander      | ..... | D9/415    |
| D. 265,551 | * | 7/1982  | Colby et al.   | ..... | D9/415    |
| D. 284,168 | * | 6/1986  | Ewry           | ..... | D9/415    |
| 4,630,734  | * | 12/1986 | Severin et al. | ..... | 206/461   |
| 4,687,129  | * | 8/1987  | Cugley         | ..... | 220/839   |
| 4,700,831  | * | 10/1987 | Kassai         | ..... | 229/122.1 |
| 5,271,501  | * | 12/1993 | Chen           | ..... | 206/373   |

**1 Claim, 4 Drawing Sheets**



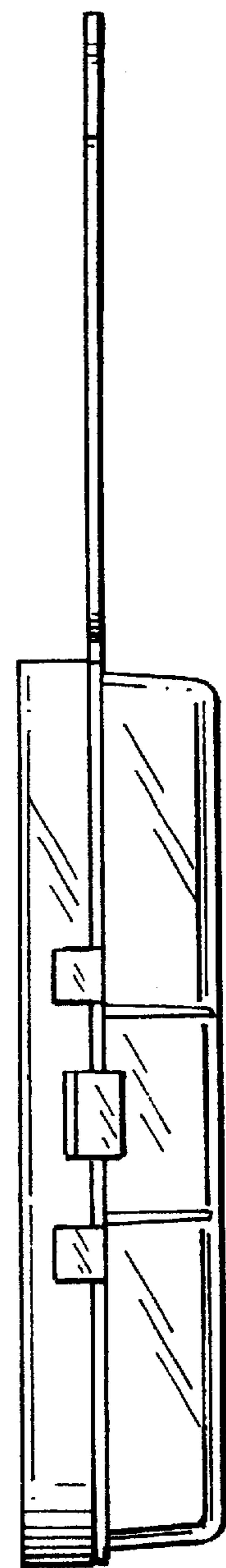
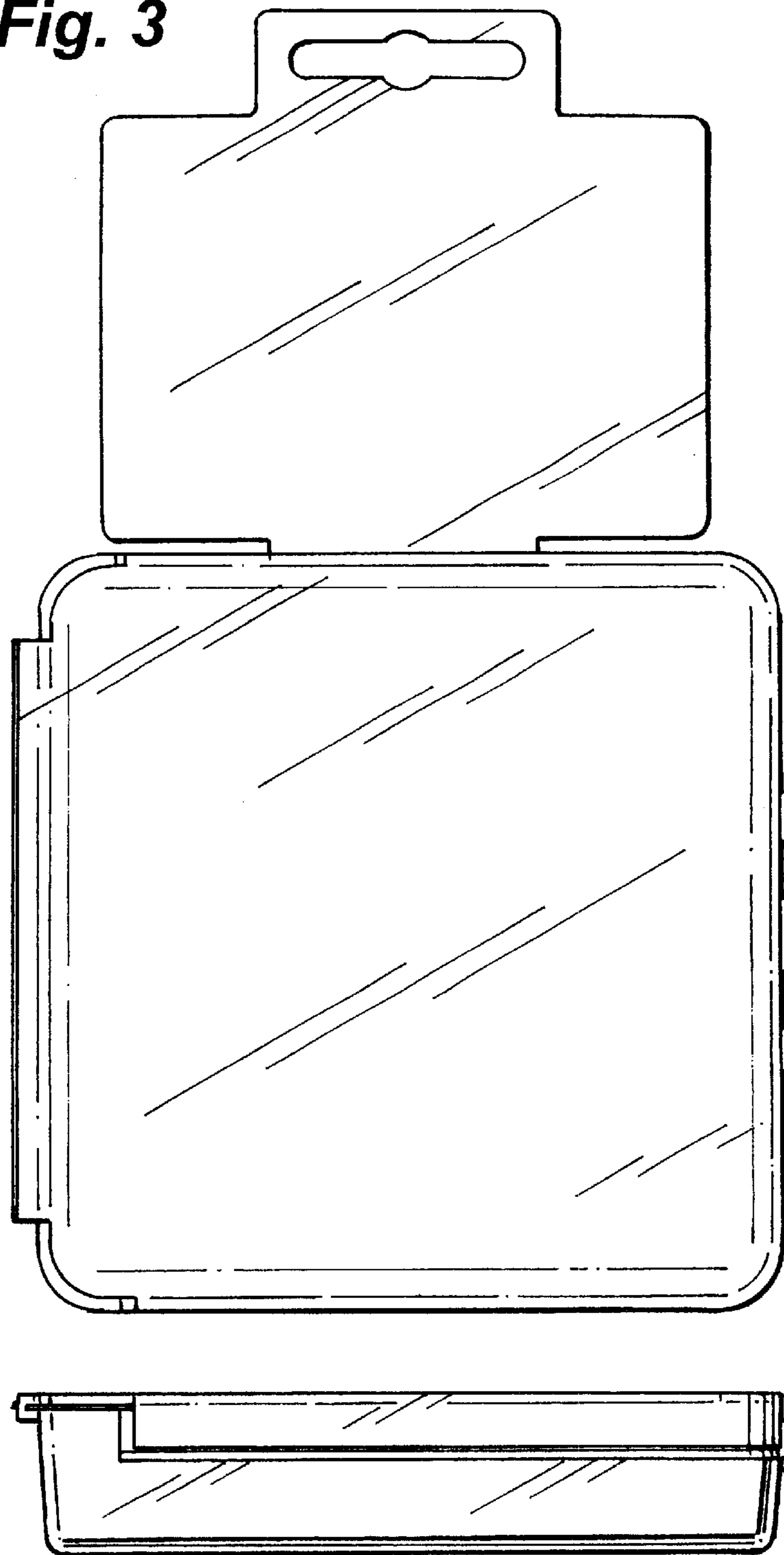


**Fig. 1**



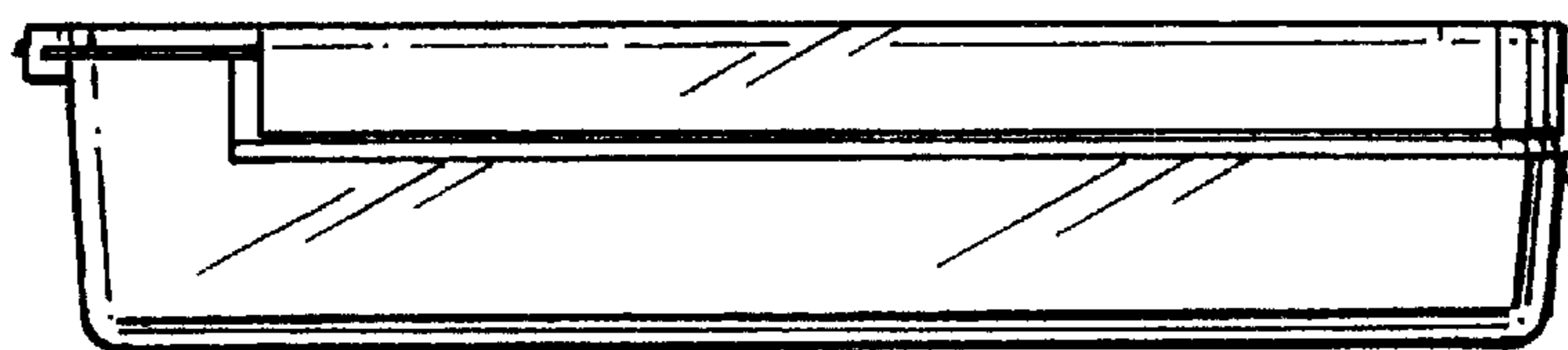
**Fig. 2**

**Fig. 3**

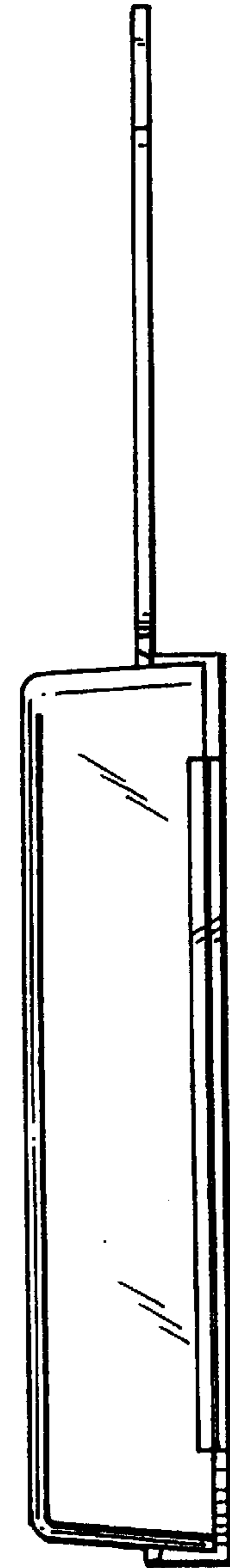
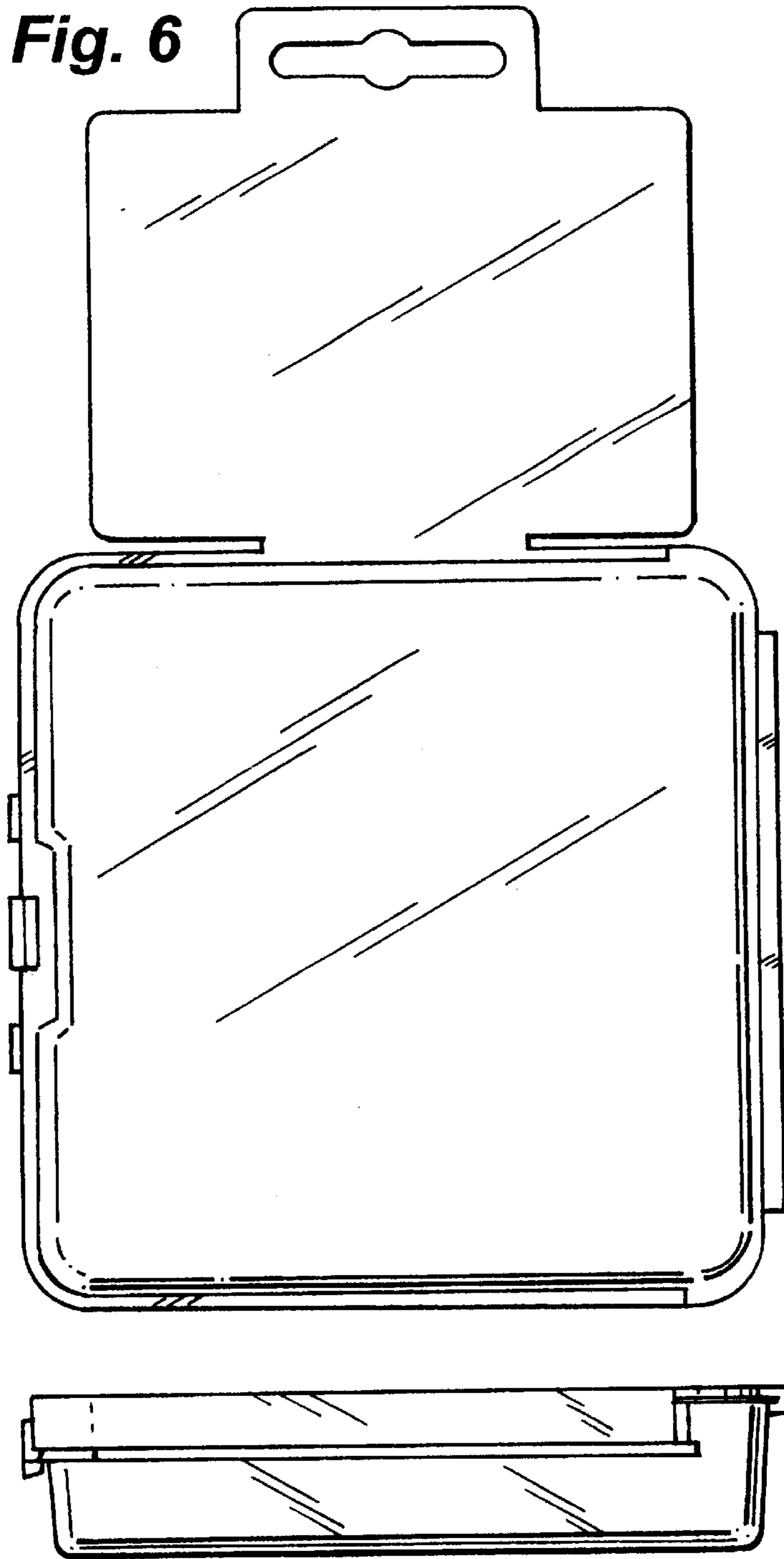


**Fig. 4**

**Fig. 5**



**Fig. 6**



**Fig. 7**

**Fig. 8**

