



US00D446712B1

(12) **United States Design Patent**
Papiernik-Berkhauer

(10) **Patent No.:** **US D446,712 S**

(45) **Date of Patent:** **** Aug. 21, 2001**

(54) **BOTTLE**

(75) **Inventor:** **Elie Papiernik-Berkhauer, Paris (FR)**

(73) **Assignee:** **Beaute Prestige International, Paris (FR)**

(**) **Term:** **14 Years**

(21) **Appl. No.:** **29/112,665**

(22) **Filed:** **Oct. 20, 1999**

(30) **Foreign Application Priority Data**

Apr. 23, 1999 (FR) 99 2670

(51) **LOC (7) Cl.** **09-01**

(52) **U.S. Cl.** **D9/311**

(58) **Field of Search** D9/307, 310, 311;
D11/157; 40/409-411

(56) **References Cited**

U.S. PATENT DOCUMENTS

D. 166,250 * 3/1952 Ferris D9/311

D. 393,016 * 3/1998 Young D11/157 X

D. 411,483 * 6/1999 Greene D11/157

4,961,276 * 10/1990 Lin 40/410

5,620,353 * 4/1997 Lai 40/410 X

* cited by examiner

Primary Examiner—Terry A. Wallace

(74) *Attorney, Agent, or Firm*—Cooper & Dunham LLP

(57) **CLAIM**

The ornamental design for a bottle, as shown and described.

DESCRIPTION

FIG. 1 is a front perspective view of the bottle showing my new design;

FIG. 2 is a top view thereof;

FIG. 3 is a front view thereof;

FIG. 4 is a right-side view thereof;

FIG. 5 is a rear view thereof;

FIG. 6 is a left view thereof; and,

FIG. 7 is a bottom view thereof.

1 Claim, 4 Drawing Sheets

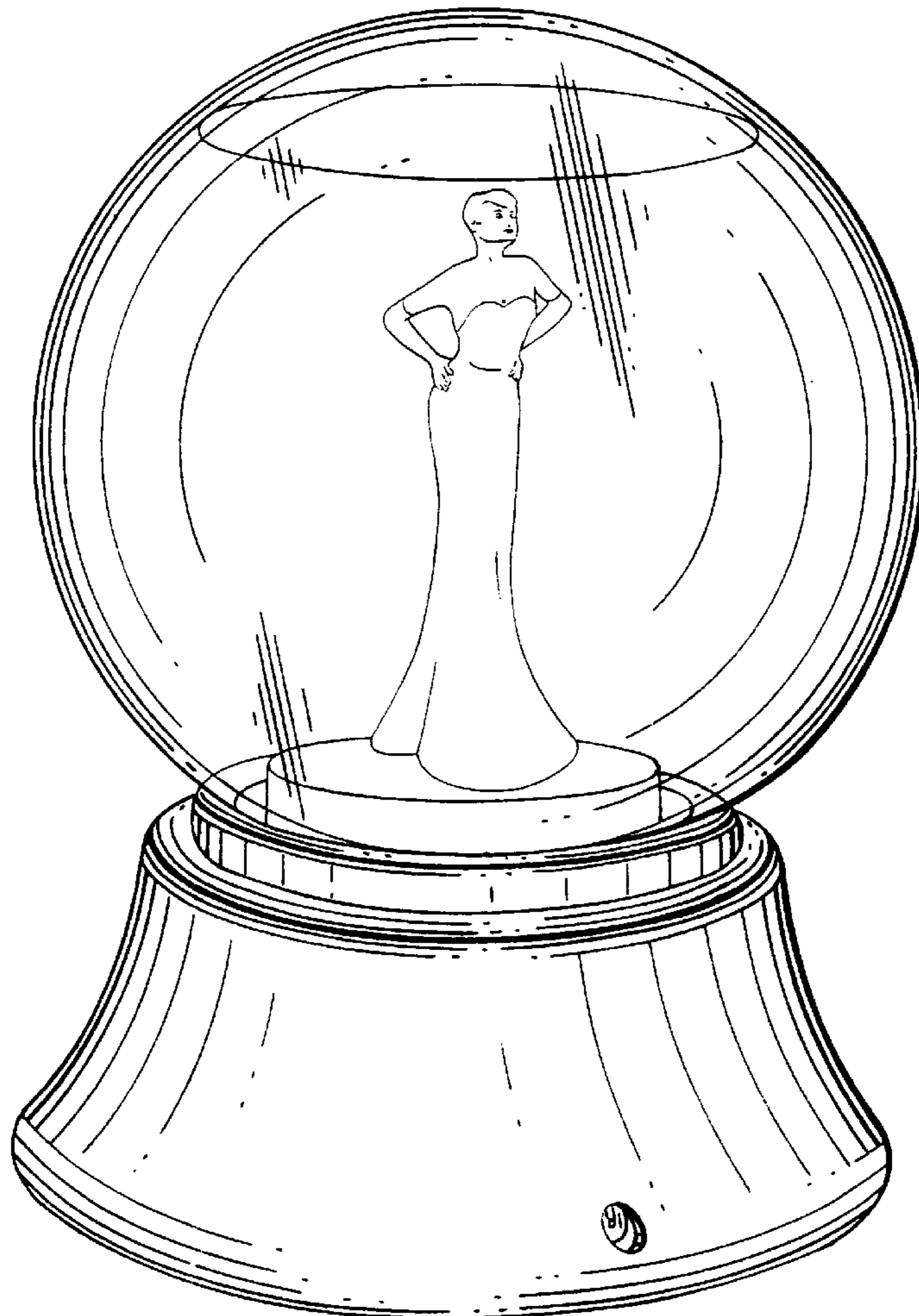


FIG. 1

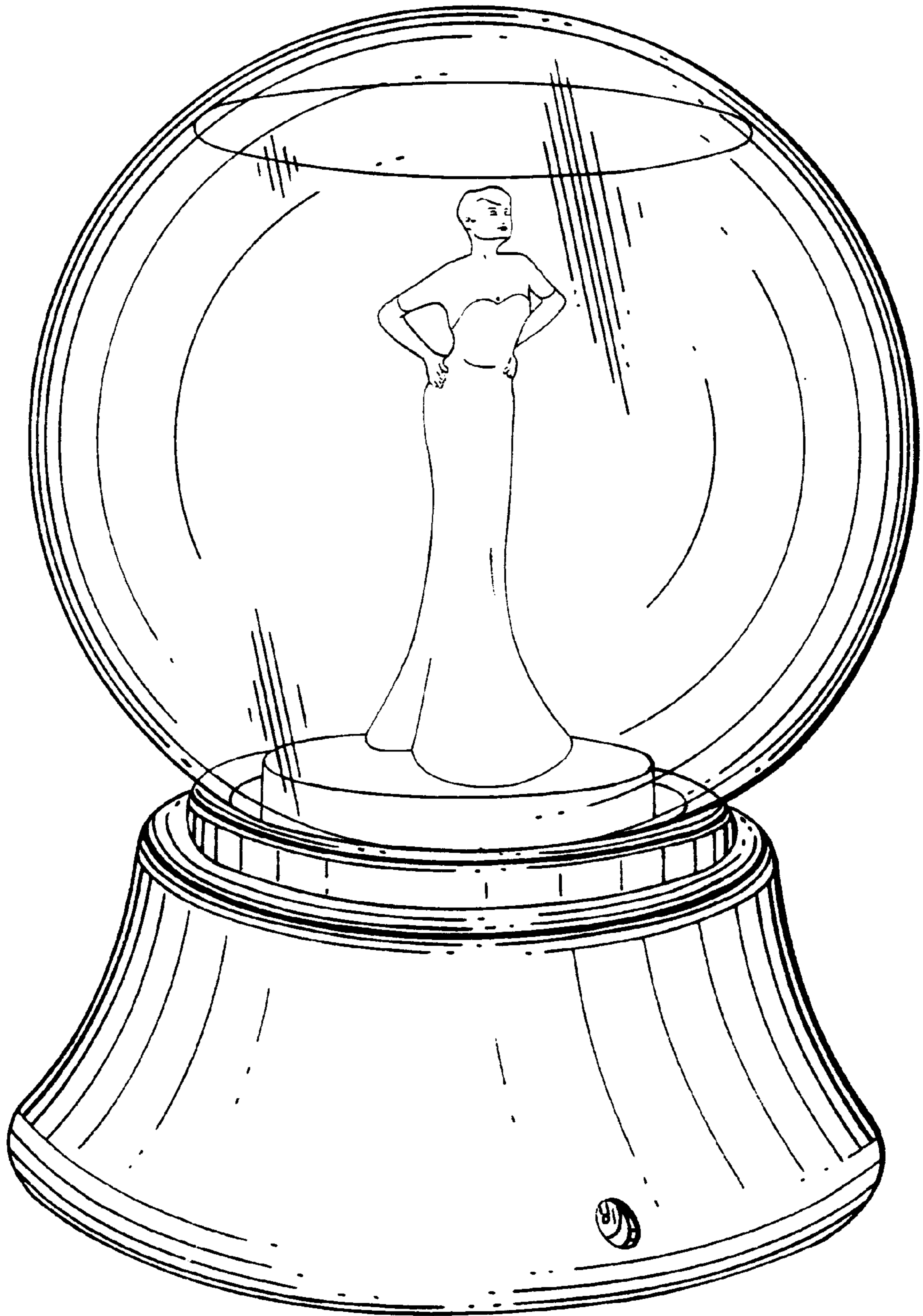


FIG. 3

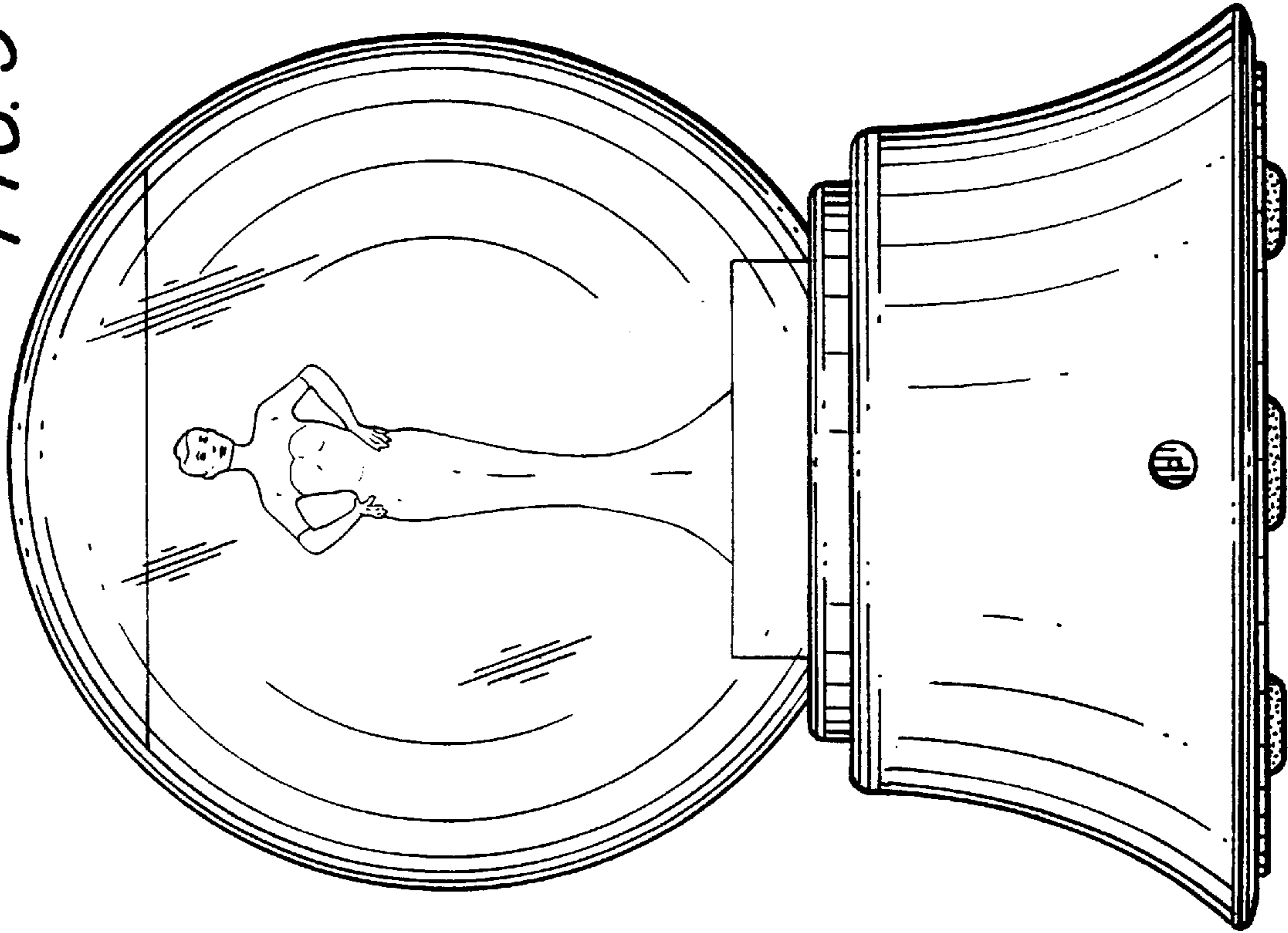


FIG. 2

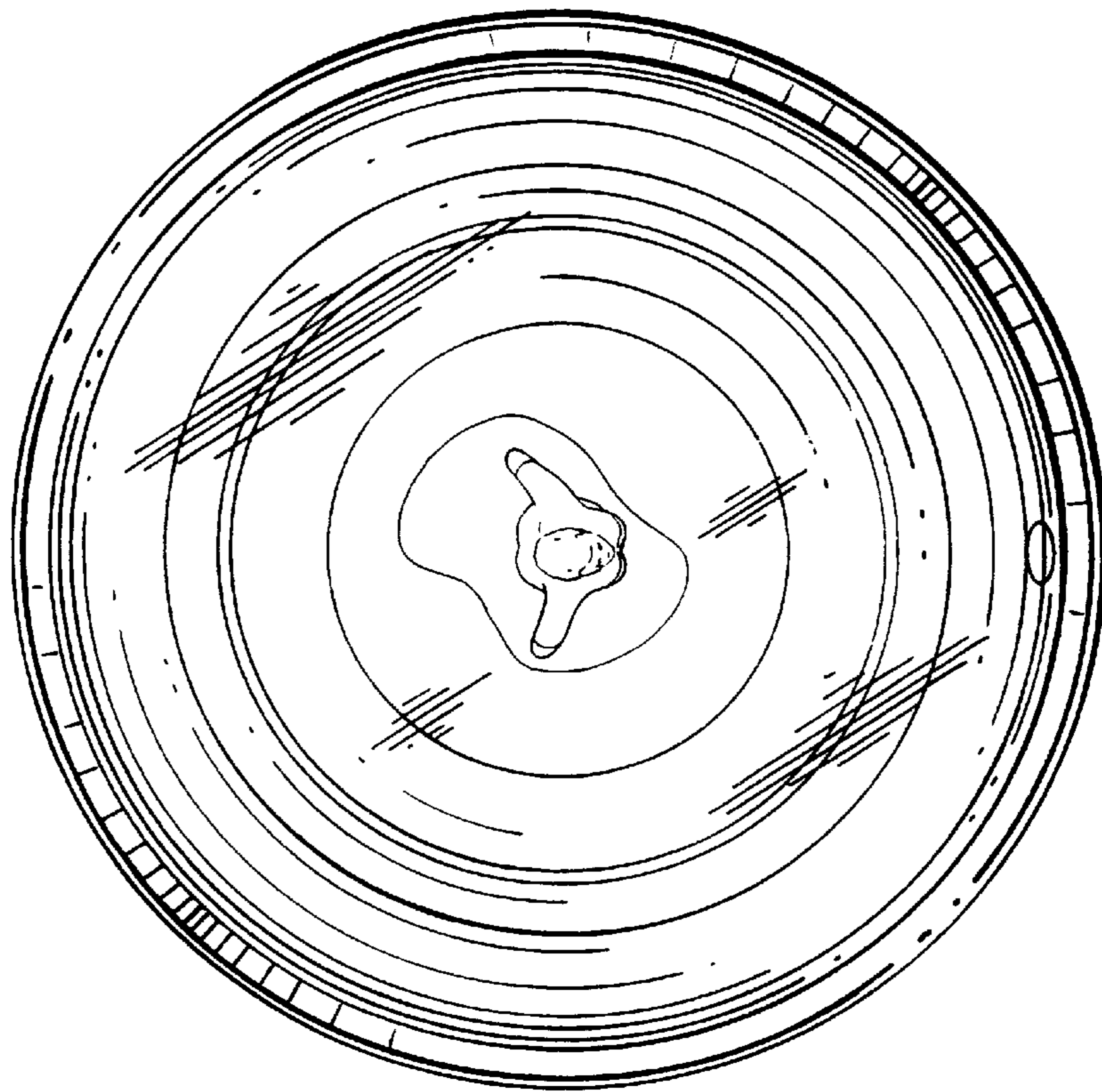


FIG. 5

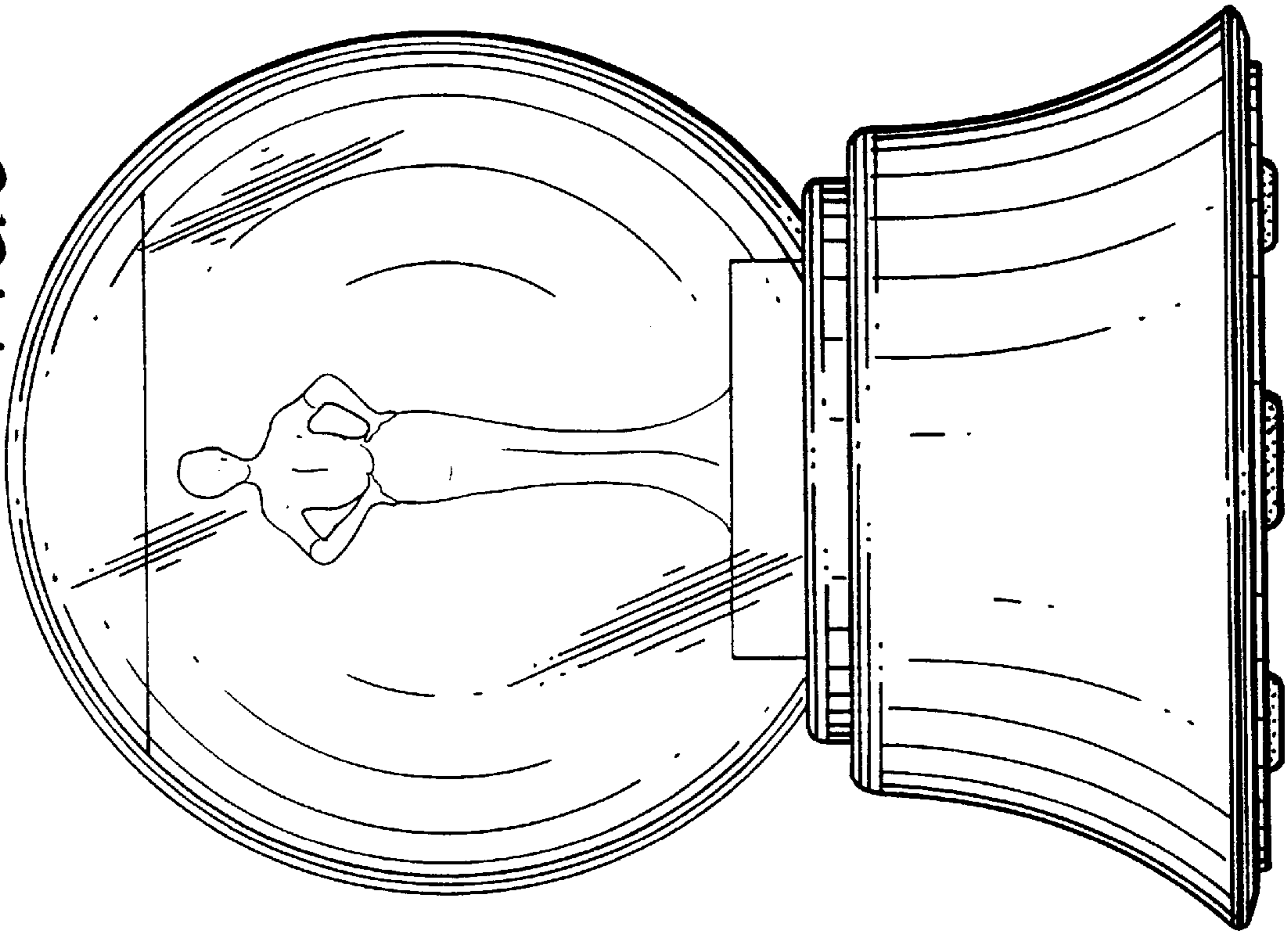


FIG. 4

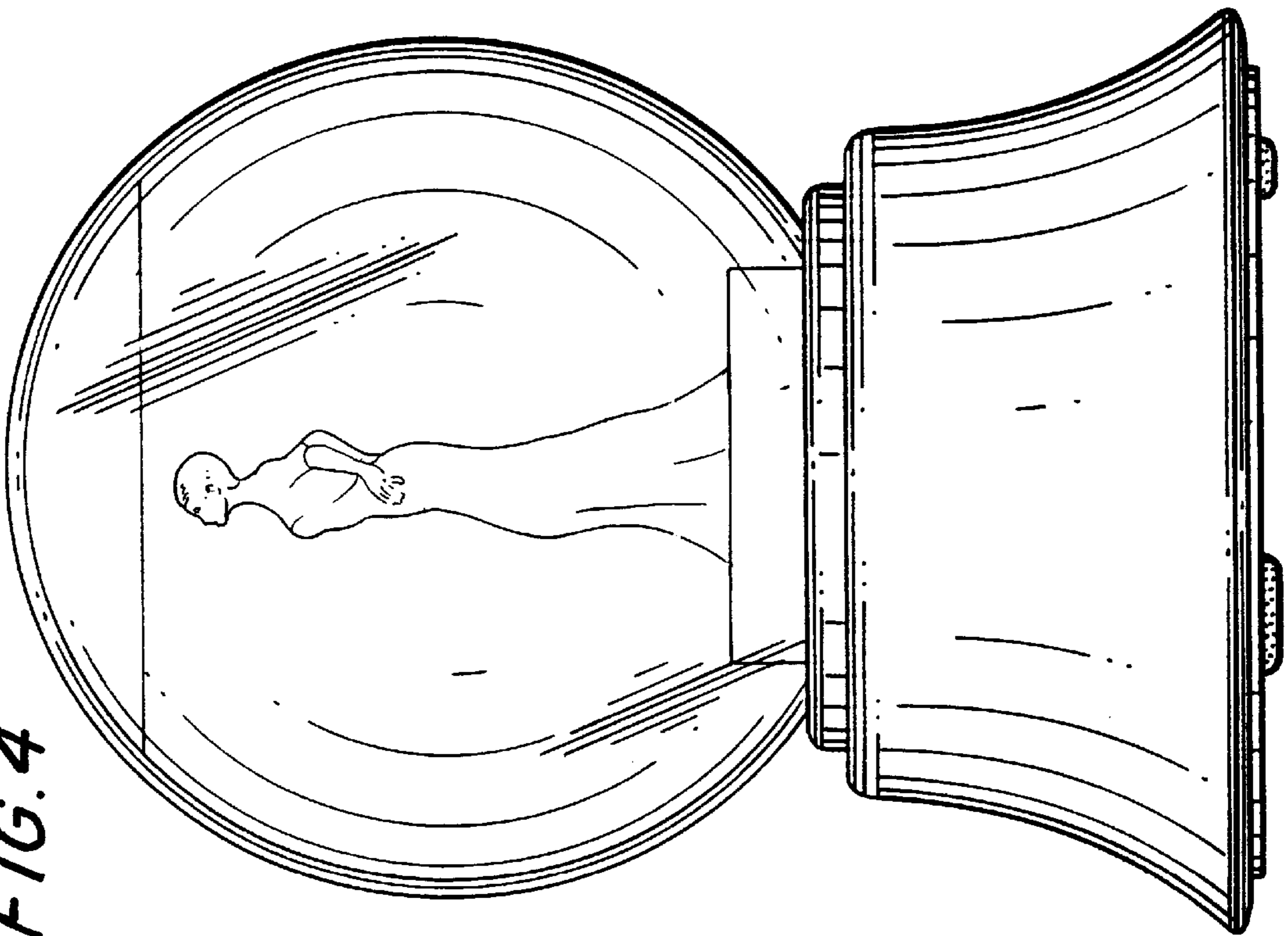


FIG. 7

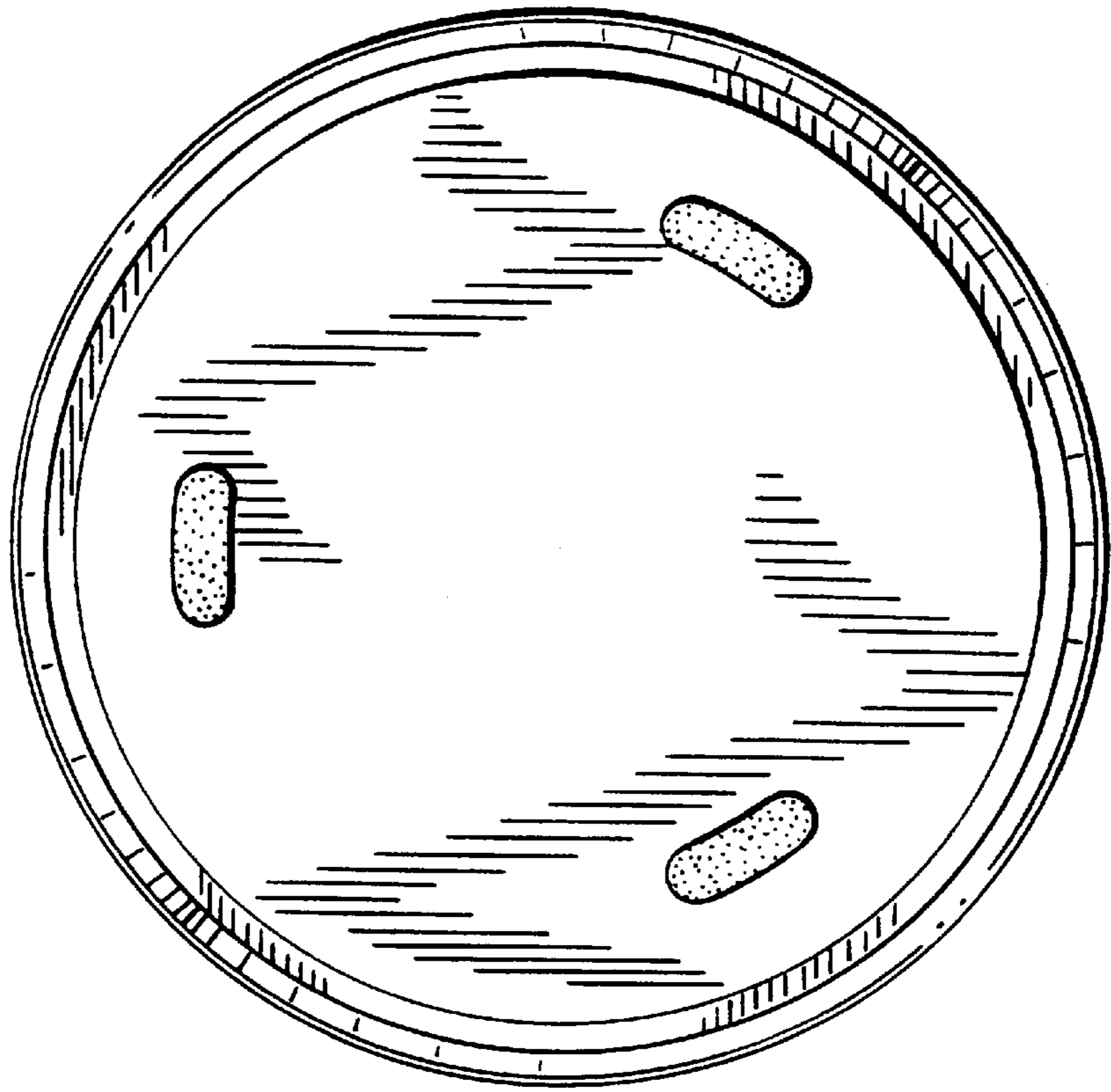


FIG. 6

