



US00D446711B1

(12) **United States Design Patent**
Bretz et al.

(10) **Patent No.: US D446,711 S**

(45) **Date of Patent: ** Aug. 21, 2001**

(54) **BOTTLE PORTION**

(75) Inventors: **John Bretz**, Crystal Lake, IL (US);
David P. Piccioli, Auburn, NH (US);
Suppayan M. Krishnakumar, Nashua,
NH (US); **Wayne N. Collette**,
Merrimack, NH (US)

D. 352,245 11/1994 Krishnakumar et al. D9/538
D. 366,417 1/1996 Semersky D9/434
D. 391,160 2/1998 Lauth D9/502
D. 391,168 2/1998 Ogg D9/538
D. 393,802 4/1998 Collette et al. D9/502
D. 396,640 8/1998 Conrad et al. D9/502

(List continued on next page.)

(73) Assignee: **Stokely-Van Camp, Inc.**, Chicago, IL
(US)

FOREIGN PATENT DOCUMENTS

1009146 1/1989 (JP) .

(**) Term: **14 Years**

OTHER PUBLICATIONS

(21) Appl. No.: **29/127,958**
(22) Filed: **Aug. 8, 2000**

Isostar PET bottle, Author: Wander S.A.; Date unknown.
Gatorade 500 mL PET bottle; Author: Stokely-Van Camp,
Inc.; Date: Japan Jul. 1996 and Korea Fall, 1996.

Related U.S. Application Data

Primary Examiner—Terry A. Wallace
(74) *Attorney, Agent, or Firm*—Lars S. Johnson

(62) Division of application No. 29/102,534, filed on Mar. 26,
1999.
(51) **LOC (7) Cl.** **09-01**
(52) **U.S. Cl.** **D9/307**
(58) **Field of Search** D9/307, 538-540,
D9/553; 215/381-384, 400

(57) **CLAIM**

We claim the ornamental design for a bottle portion, as
shown and described.

(56) **References Cited**

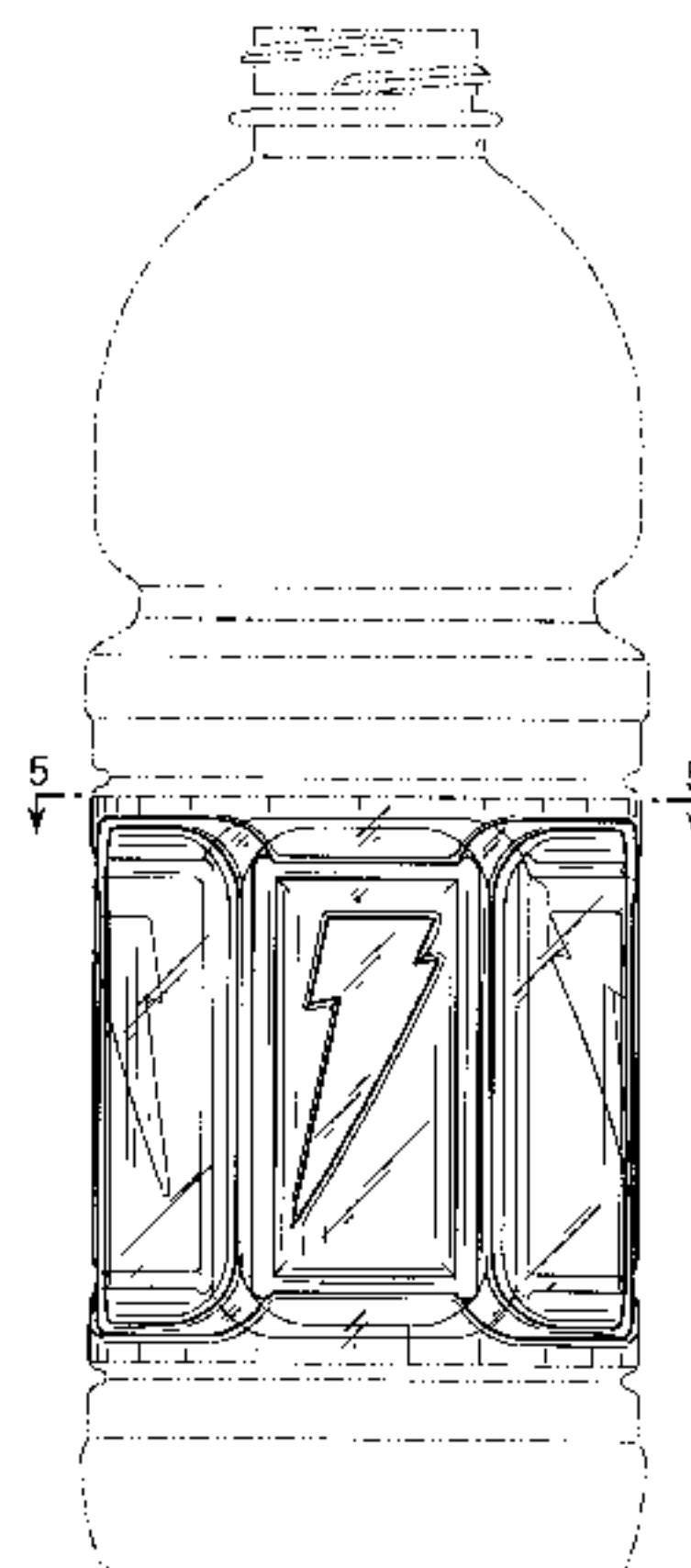
DESCRIPTION

U.S. PATENT DOCUMENTS

D. 188,074 5/1960 Wunderly D58/8
D. 234,292 2/1975 Plummer D9/119
D. 240,018 5/1976 Reynolds D9/119
D. 241,714 10/1976 Plummer D9/119
D. 292,269 10/1987 Jacobs et al. D9/349
D. 293,890 1/1988 Rogler D9/390
D. 294,462 3/1988 Ota et al. D9/392
D. 294,463 3/1988 Lang D9/392
D. 294,678 3/1988 Papa D9/392
D. 295,381 4/1988 Papa D9/392
D. 300,805 4/1989 Rogier et al. D9/390
D. 313,750 1/1991 York et al. D9/394
D. 315,869 4/1991 Collette D9/392
D. 320,154 9/1991 Alberghini et al. D9/370
D. 321,830 11/1991 York et al. D9/434
D. 345,693 4/1994 Edstrom D9/332
D. 348,606 7/1994 Edstrom D9/332

FIG. 1 is a perspective view of a bottle portion embodying
our new design; FIG. 2 is a front elevational view of the
bottle portion depicted in FIG. 1;
FIG. 3 is a side view of the bottle portion depicted in FIG.
2, representing a partial rotation of the bottle portion
about its vertical center axis from the front elevational
view depicted in FIG. 2, the opposite side elevational
view being a mirror image thereof;
FIG. 4 is a rear elevational view of the bottle portion
depicted FIG. 2, representing a partial rotation of the
bottle portion about its vertical center axis from the
front elevational view depicted in FIG. 2, said rear
elevational view being opposite the front elevational
view depicted in FIG. 2; and,
FIG. 5 is a fragmentary cross-section view taken along
line 5-5 in FIG. 2.
The broken line environmental showing is for illustrative
purposes only and does not form part of the claimed
design.

1 Claim, 2 Drawing Sheets



US D446,711 S

Page 2

| U.S. PATENT DOCUMENTS | | | | | | |
|-----------------------|---------|--------------------------|-----------|---------|----------------------------------|---------|
| | | | 5,064,081 | 11/1991 | Hayashi et al. 215/1 C | |
| D. 396,807 | 8/1998 | Lauth | 5,141,120 | 8/1992 | Brown et al. 215/1 C | |
| D. 397,614 | 9/1998 | Krishnakumar et al. | 5,141,121 | 8/1992 | Brown et al. 215/1 C | |
| D. 397,941 | 9/1998 | Lauth | 5,178,289 | 1/1993 | Krishnakumar et al. 215/1 C | |
| D. 404,306 | 1/1999 | Steinke | 5,178,290 | 1/1993 | Ota et al. 215/1 C | |
| D. 409,091 | 5/1999 | Beaver et al. | 5,255,889 | 10/1993 | Collette et al. 249/102 | |
| 4,749,092 | 6/1988 | Sugiura et al. | 5,303,833 | 4/1994 | Hayashi et al. 215/1 C | |
| 4,805,788 | 2/1989 | Akiho | 5,303,834 | 4/1994 | Krishnakumar et al. 215/1 C | |
| 4,863,046 | 9/1989 | Collette et al. | 5,337,909 | 8/1994 | Vaillencourt | 215/1 C |
| 4,877,141 | 10/1989 | Hayashi et al. | 5,472,105 | 12/1995 | Krishnakumar et al. 215/384 | |
| 4,907,709 | 3/1990 | Abe et al. | 5,704,503 | 1/1998 | Krishnakumar et al. 215/381 | |
| 5,005,716 | 4/1991 | Eberle | | | | |

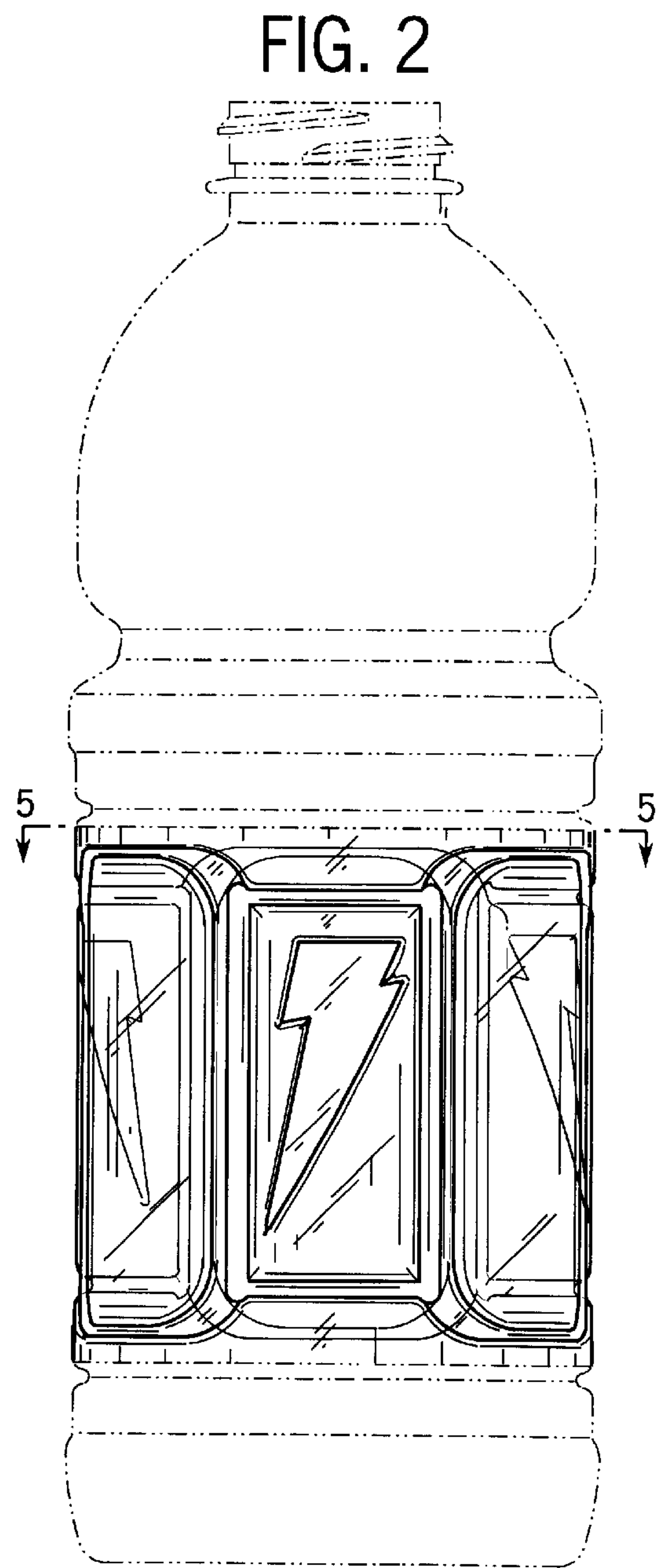
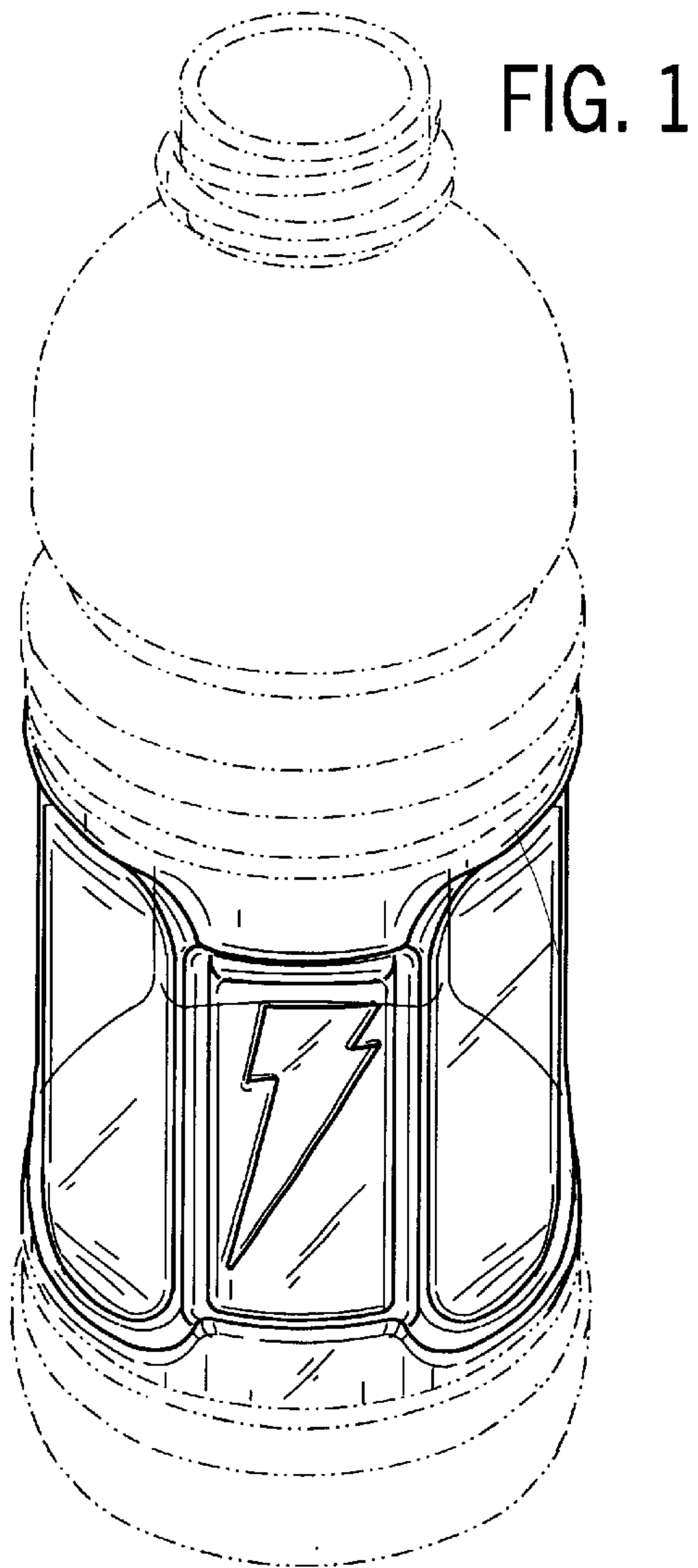


FIG. 3

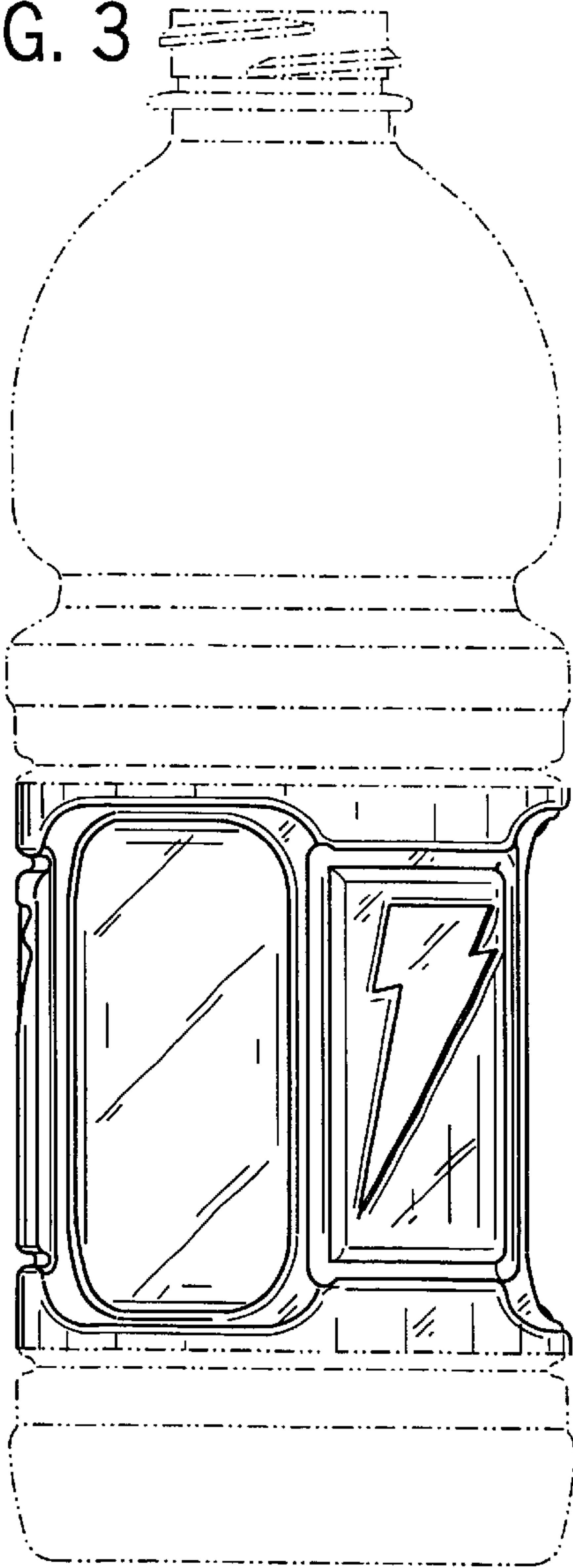


FIG. 4

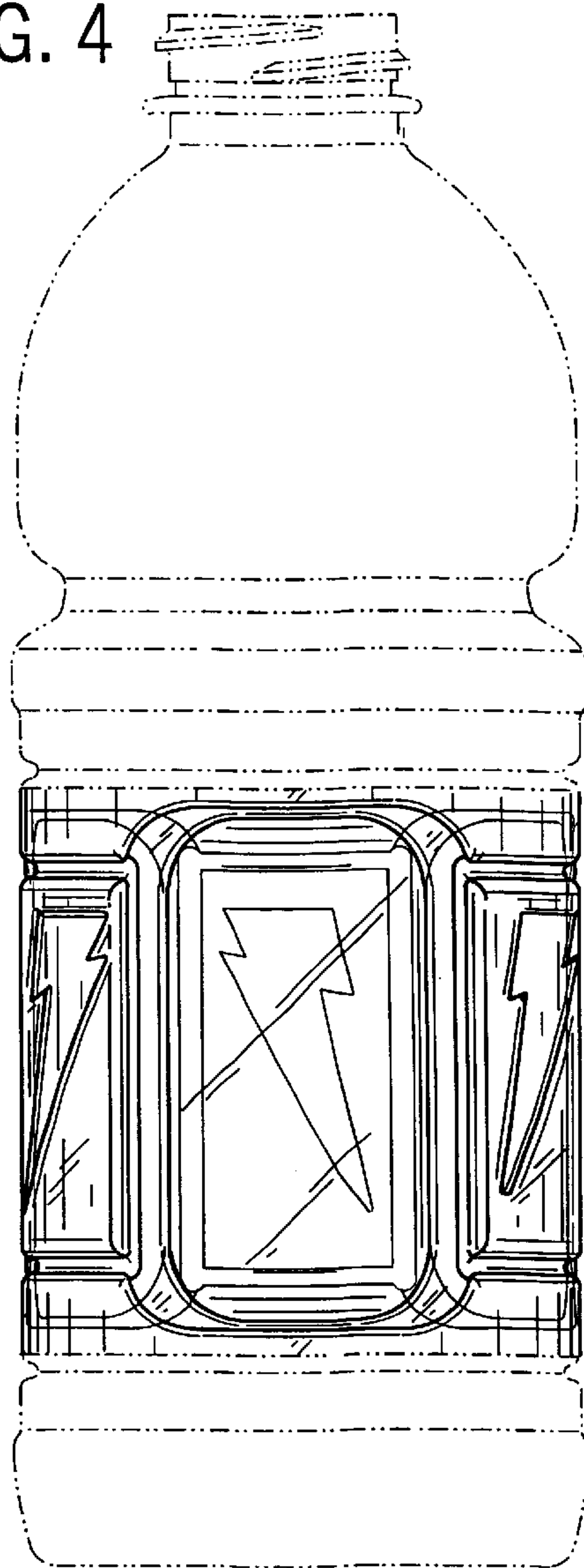


FIG. 5

