



US00D446710B1

(12) **United States Design Patent**  
**Sterling et al.**

(10) **Patent No.:** **US D446,710 S**

(45) **Date of Patent:** **\*\* Aug. 21, 2001**

(54) **RACK EXTENSION**

(75) Inventors: **John R. Sterling**, Woodstock, IL (US);  
**Richard G. Kluge**, Lake Geneva, WI (US)

(73) Assignee: **John Sterling Corporation**, Richmond, IL (US)

(\*\*) Term: **14 Years**

(21) Appl. No.: **29/118,713**

(22) Filed: **Feb. 14, 2000**

(51) **LOC (7) Cl.** ..... **08-01**

(52) **U.S. Cl.** ..... **D8/354**

(58) **Field of Search** ..... D6/566, 567; D8/367,  
D8/370, 354; 211/86.01, 181.1; 248/200,  
205.1, 220.21, 220.31, 220.41, 302, 304,  
309.1, 309.2, 205.3

(56) **References Cited**

**U.S. PATENT DOCUMENTS**

- D. 425,402 \* 5/2000 Welborn et al. .... D8/354
- D. 438,415 \* 3/2001 Pohl ..... D6/567
- 3,918,668 \* 11/1975 Thorpe ..... 248/205.3
- 5,743,416 \* 4/1998 Yemini ..... 248/220.41 X

**OTHER PUBLICATIONS**

Advertising Slick; Heavy Duty Wall Organizer Value Pack, Model RP-0024, 2 pages, Form No. RP24-SI, John Sterling Corporation, Copyright 1991.

Advertising Slick; Home Storage & Organization, John Sterling Corporation, 1 page, Form No. ORGI-SL, Copyright 1997.

\* cited by examiner

*Primary Examiner*—Brian N. Vinson

(74) *Attorney, Agent, or Firm*—Rockey, Milnamow & Katz, Ltd.

(57) **CLAIM**

The ornamental design for a rack extension, as shown and described.

**DESCRIPTION**

FIG. 1 is a top, front, and right side perspective view of a rack extension showing my new design;

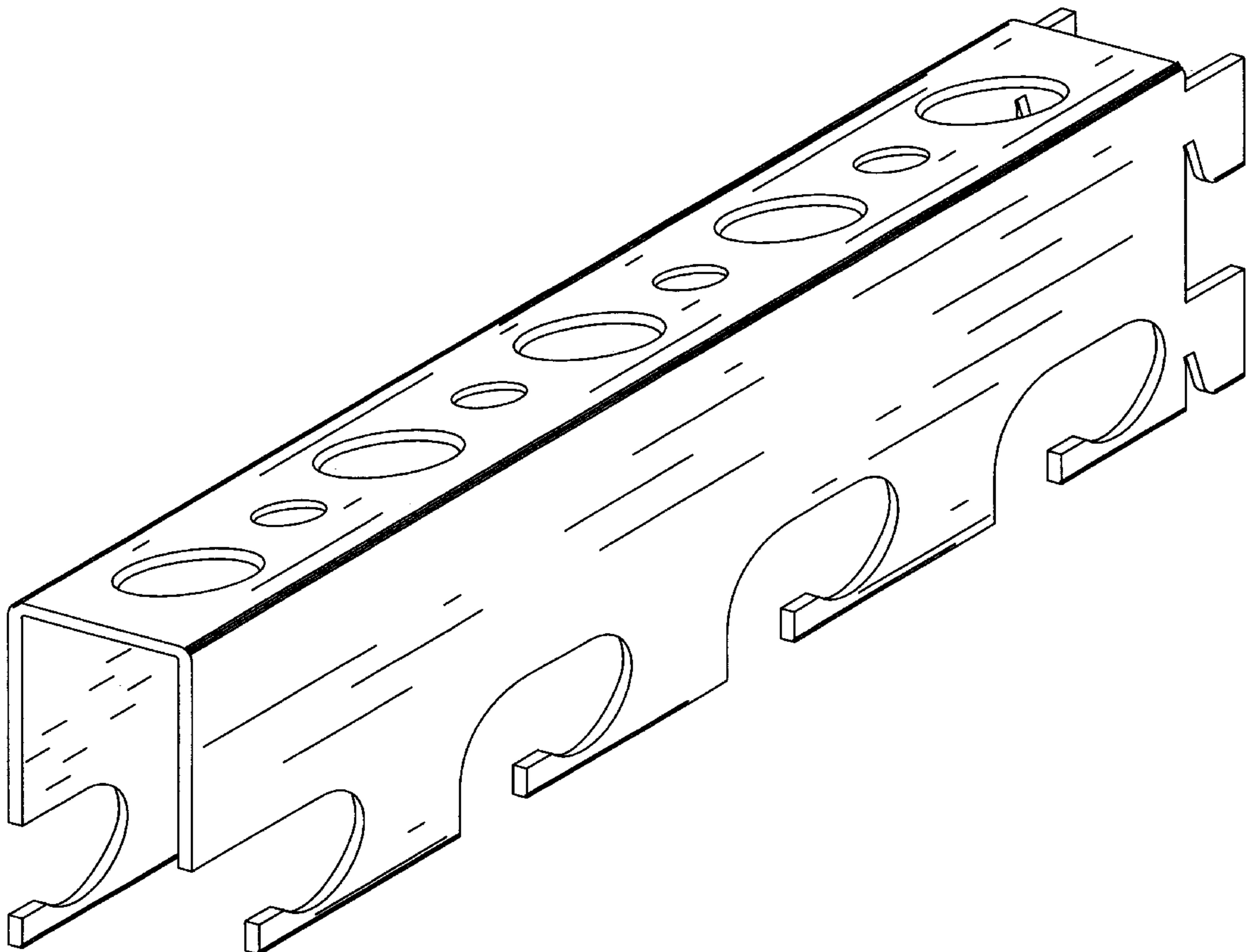
FIG. 2 is a reduced left side elevational view thereof;

FIG. 3 is a reduced top plan view thereof;

FIG. 4 is a reduced bottom plan view thereof; and,

FIG. 5 is a reduced front elevational view thereof.

**1 Claim, 2 Drawing Sheets**



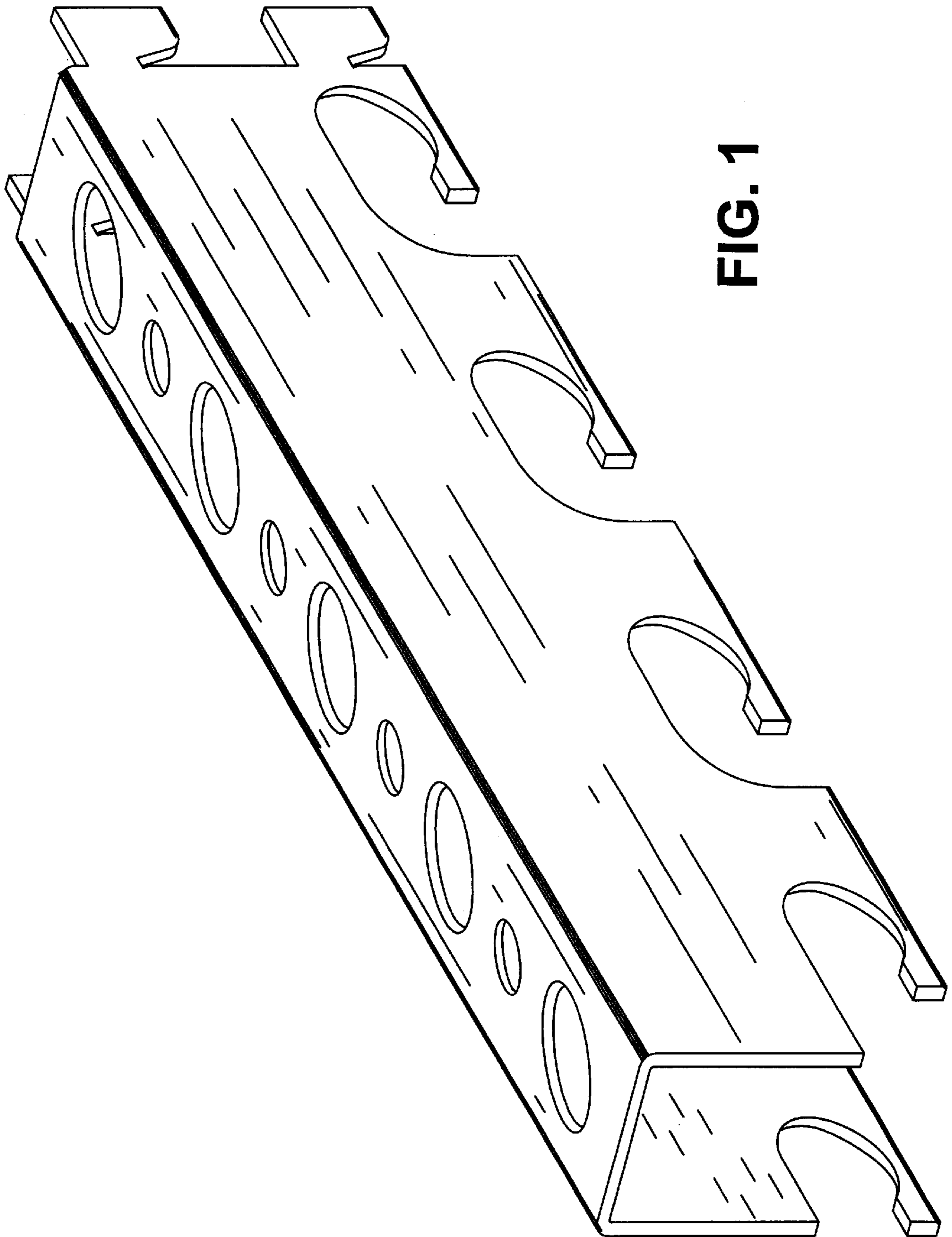


FIG. 1

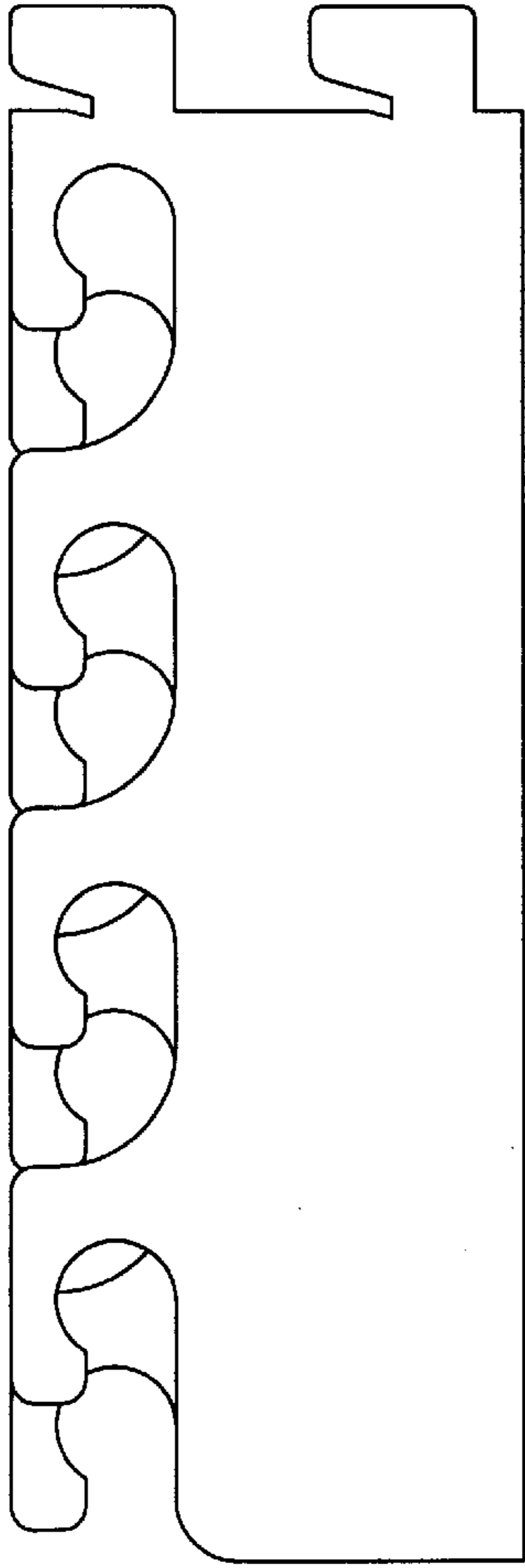


FIG. 3

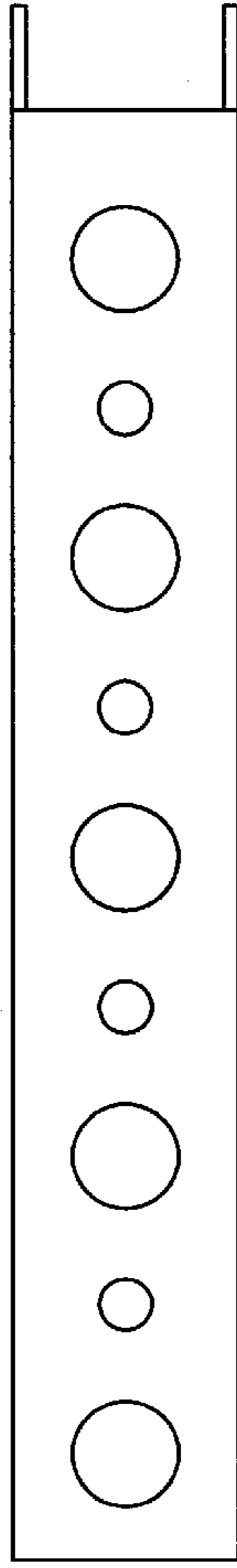


FIG. 2

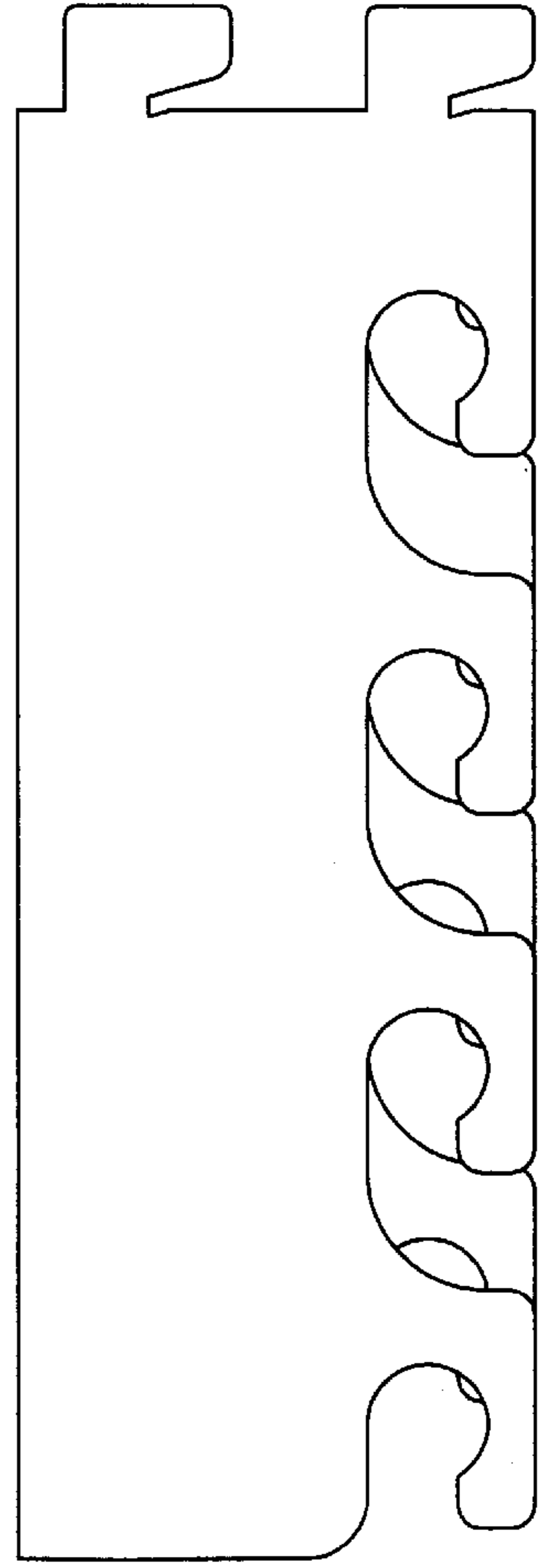


FIG. 4

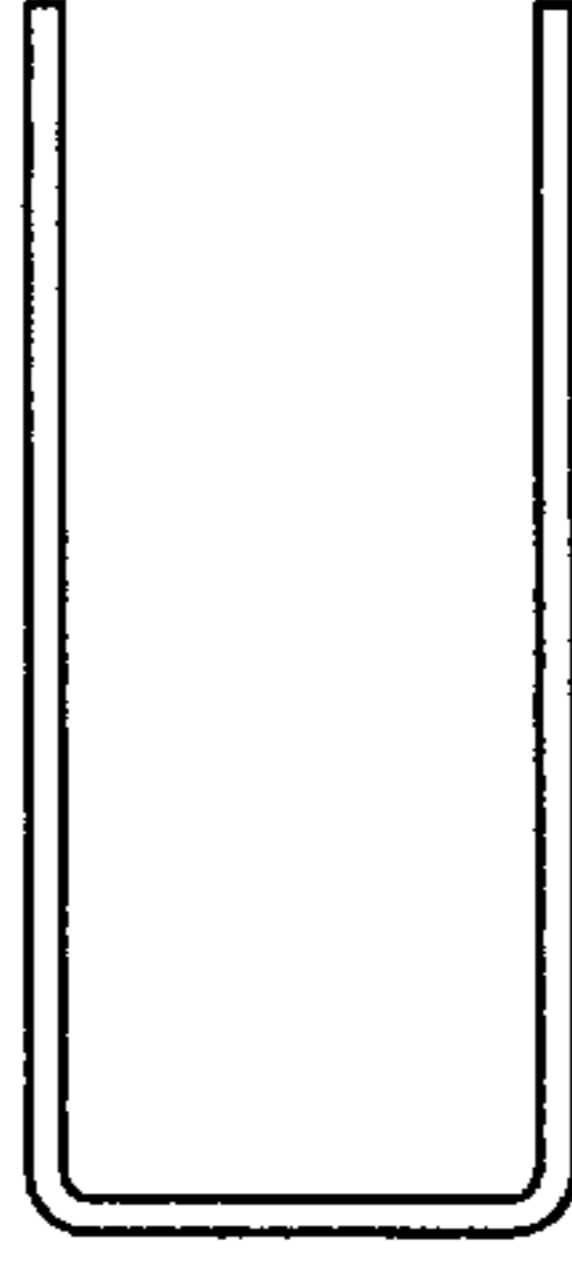


FIG. 5