



US00D446709B1

(12) **United States Design Patent**
Rivera

(10) **Patent No.: US D446,709 S**

(45) **Date of Patent: ** *Aug. 21, 2001**

- (54) **HANDLE FOR A HAND TOOL**
- (75) Inventor: **Benjamin C. Rivera**, West Linn, OR (US)
- (73) Assignee: **Leatherman Tool Group, Inc.**, Portland, OR (US)
- (*) Notice: This patent is subject to a terminal disclaimer.
- (**) Term: **14 Years**

D. 427,875	*	7/2000	Chiu	D8/105
D. 429,616	*	8/2000	Rivera	D8/105
1,282,875	*	10/1918	Kupec	.	
3,747,211	*	7/1973	Calabrese	30/155
5,029,354		7/1991	Boyd, Jr. et al.	7/118
5,537,750		7/1996	Seber et al.	30/161
5,564,318		10/1996	Pail	81/427.5
5,809,599	*	9/1998	Frazer	7/128
5,978,993	*	11/1999	Rivera	7/128
6,014,787		1/2000	Rivera	7/128
6,092,444		7/2000	Hsiao	81/440
6,119,561	*	9/2000	Anderson et al.	7/129

- (21) Appl. No.: **29/132,035**
- (22) Filed: **Oct. 31, 2000**
- (51) **LOC (7) Cl.** **08-05**
- (52) **U.S. Cl.** **D8/107; D8/105**
- (58) **Field of Search** D8/51, 52, 54, D8/55, 105, 107, 99; 30/34, 143, 153, 155; 7/118, 119, 125, 127, 128, 129, 132, 158, 165, 167, 168; 81/305

OTHER PUBLICATIONS

Hong Kong Enterprise Catalog Mar. 1989 p. 12.*

* cited by examiner

Primary Examiner—Alan P. Douglas
Assistant Examiner—Clare E. Heflin
 (74) *Attorney, Agent, or Firm*—Chernoff, Vilhauer, McClung & Stenzel LLP

(57) **CLAIM**

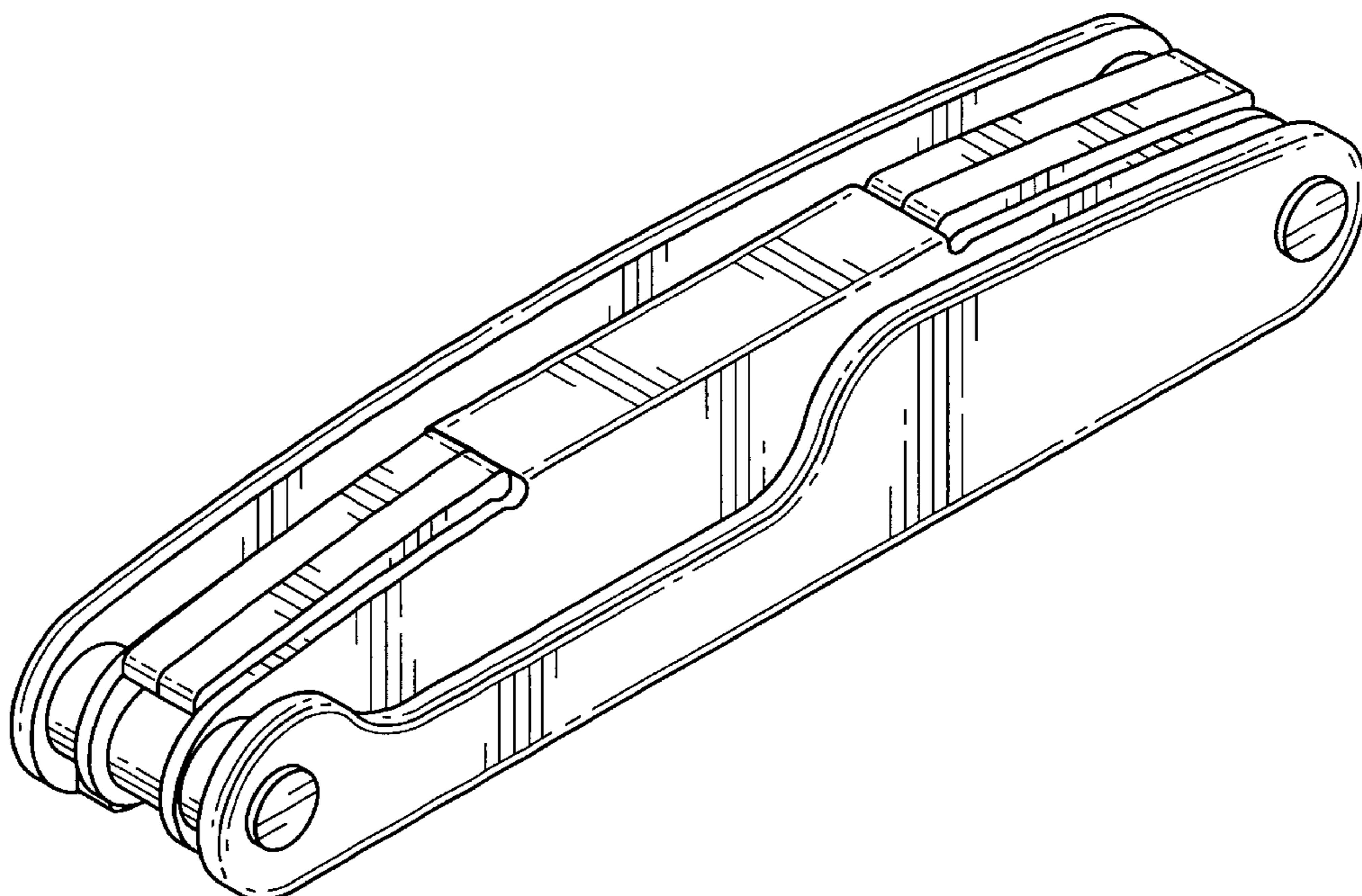
The ornamental design for a handle for a hand tool, as shown and described.

- (56) **References Cited**
- U.S. PATENT DOCUMENTS**
- D. 380,362 * 7/1997 Rivera D8/52
- D. 382,190 * 8/1997 Blackston et al. D8/107
- D. 384,872 * 10/1997 Yeh D8/105
- D. 385,169 * 10/1997 Rivera D8/52
- D. 392,519 * 3/1998 Hung D8/5
- D. 398,209 9/1998 Rivera D8/52
- D. 398,213 9/1998 Rivera D8/105
- D. 401,133 * 11/1998 Gardiner et al. D8/105
- D. 414,092 * 9/1999 Chang D8/55
- D. 423,893 * 5/2000 Mackin et al. D8/52
- D. 426,446 * 6/2000 Chau D8/105
- D. 426,447 * 6/2000 Chau D8/105

DESCRIPTION

FIG. 1 is an isometric view from the upper left front of a handle for a hand tool, showing my new design;
 FIG. 2 is a left side elevational view thereof;
 FIG. 3 is a right side elevational view thereof;
 FIG. 4 is a top plan view thereof;
 FIG. 5 is a bottom plan view thereof;
 FIG. 6 is a front end elevational view thereof; and,
 FIG. 7 is a rear end elevational view thereof.

1 Claim, 2 Drawing Sheets



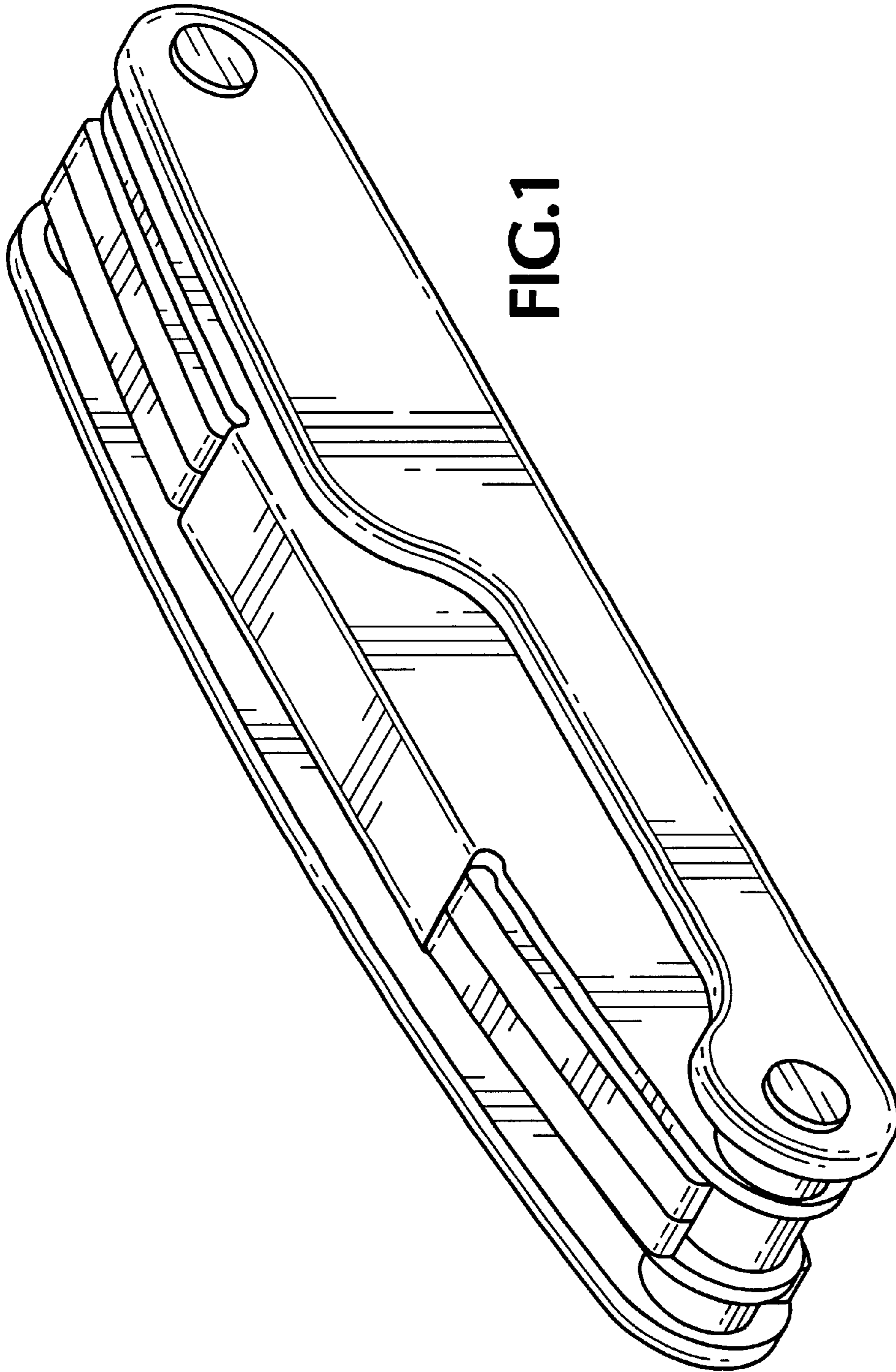


FIG. 1

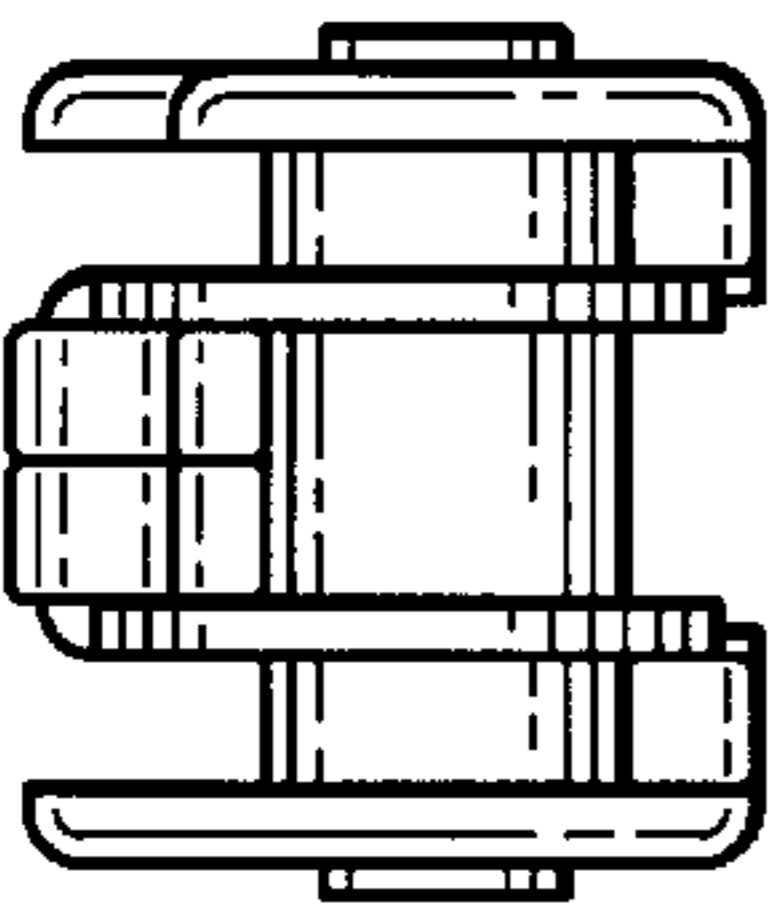


FIG. 6

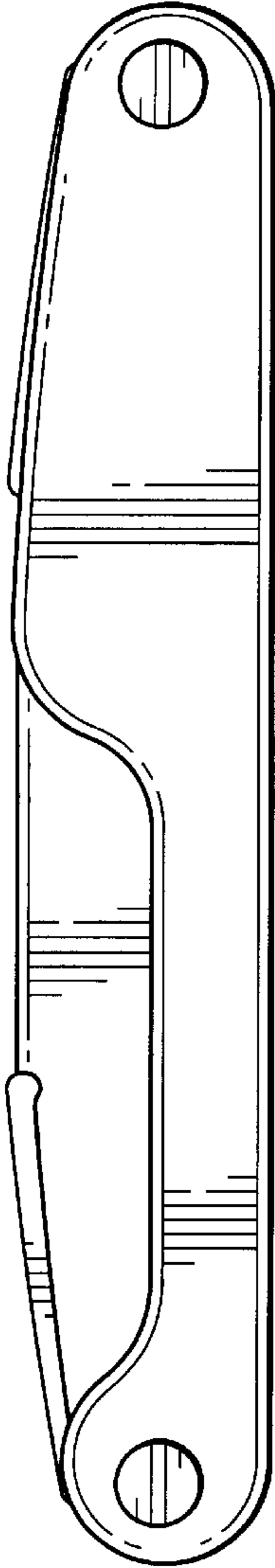


FIG. 2

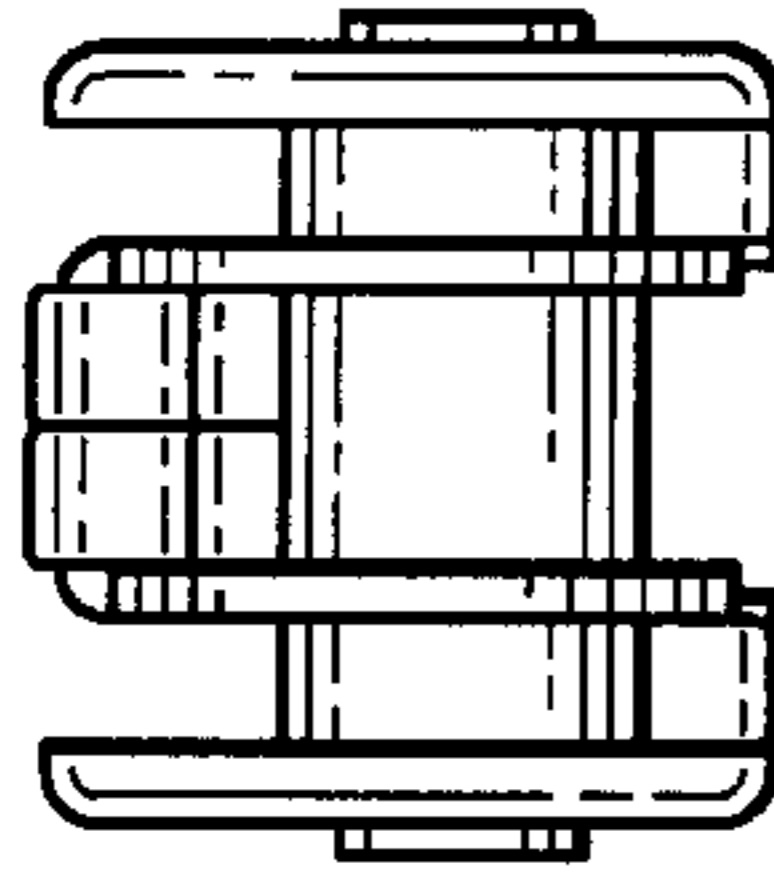


FIG. 7

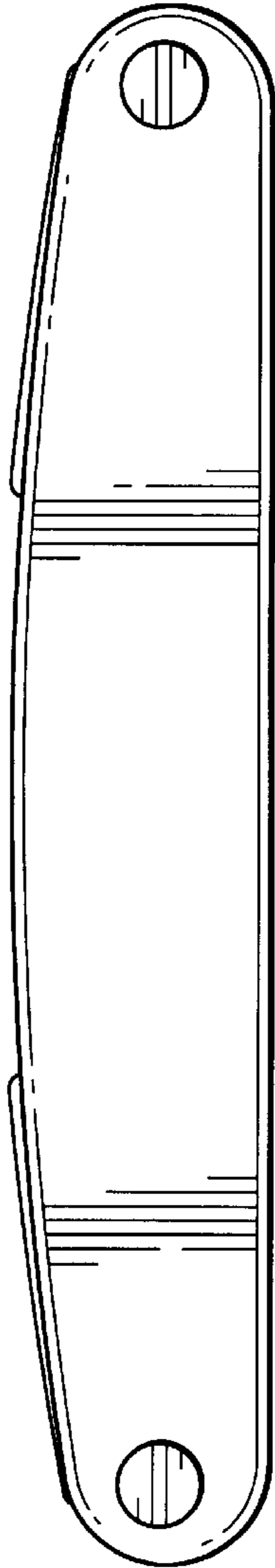


FIG. 3

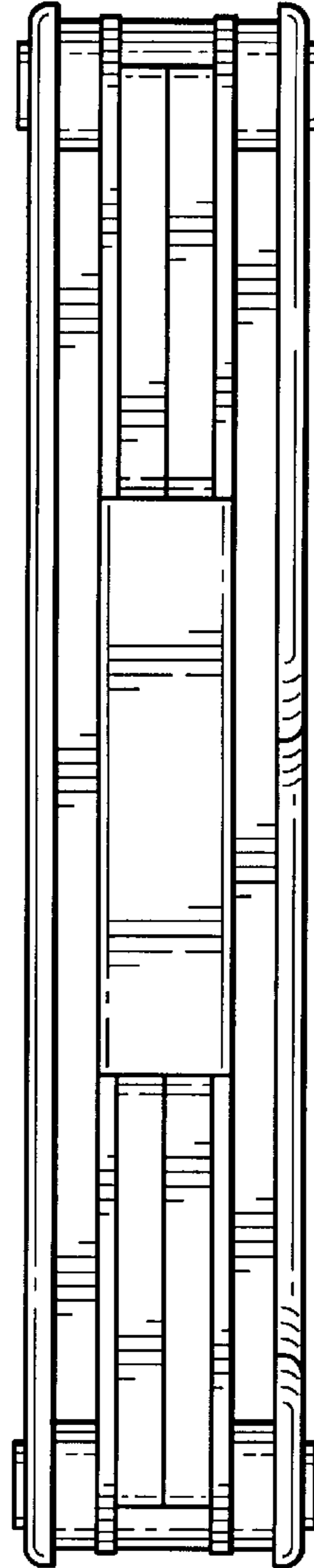


FIG. 4

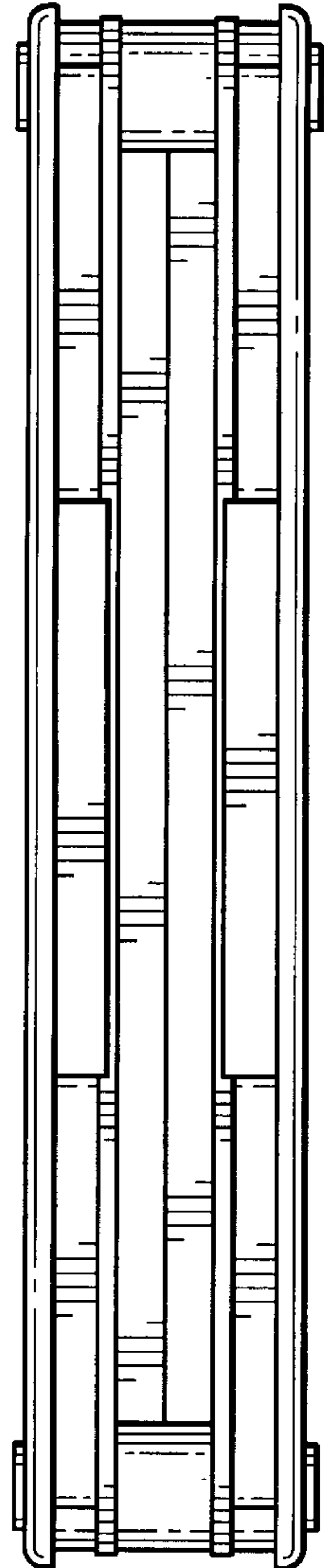


FIG. 5