



US00D446708B1

(12) **United States Design Patent**
Rivera

(10) **Patent No.: US D446,708 S**

(45) **Date of Patent: ** *Aug. 21, 2001**

(54) **FOLDED MULTIPURPOSE HAND TOOL**

(75) **Inventor: Benjamin C. Rivera, West Linn, OR (US)**

(73) **Assignee: Leatherman Tool Group, Inc., Portland, OR (US)**

(*) **Notice:** This patent is subject to a terminal disclaimer.

(**) **Term: 14 Years**

(21) **Appl. No.: 29/132,037**

(22) **Filed: Oct. 31, 2000**

(51) **LOC (7) Cl. 08-05**

(52) **U.S. Cl. D8/105**

(58) **Field of Search** D8/51, 52, 54, D8/55, 105, 107, 99; 30/34, 143, 153, 155; 7/118, 119, 125, 127, 128, 129, 132, 158, 165, 167, 168; 81/305

(56) **References Cited**

U.S. PATENT DOCUMENTS

| | | | | | |
|------------|---|---------|-----------------|-------|--------|
| D. 380,362 | * | 7/1997 | Rivera | | D8/52 |
| D. 384,872 | * | 10/1997 | Yeh | | D8/105 |
| D. 385,169 | * | 10/1997 | Rivera | | D8/52 |
| D. 392,519 | * | 3/1998 | Hung | | D8/5 |
| D. 398,209 | | 9/1998 | Rivera | | D8/52 |
| D. 398,213 | | 9/1998 | Rivera | | D8/105 |
| D. 401,133 | * | 11/1998 | Gardiner et al. | | D8/105 |

| | | | | | |
|------------|---|---------|------------------|-------|----------|
| D. 414,092 | * | 9/1999 | Chang | | D8/55 |
| D. 423,893 | * | 5/2000 | Mackin et al. | | D8/52 |
| D. 426,446 | * | 6/2000 | Chau | | D8/105 |
| D. 426,447 | * | 6/2000 | Chau | | D8/105 |
| D. 429,616 | * | 8/2000 | Rivera | | D8/105 |
| 5,029,354 | | 7/1991 | Boyd, Jr. et al. | | 7/118 |
| 5,537,750 | | 7/1996 | Seber et al. | | 30/161 |
| 5,564,318 | | 10/1996 | Pail | | 81/427.5 |
| 5,809,599 | * | 9/1998 | Frazer | | 7/128 |
| 6,014,787 | | 1/2000 | Rivera | | 7/128 |
| 6,092,444 | | 7/2000 | Hsiao | | 81/440 |

* cited by examiner

Primary Examiner—Alan P. Douglas

Assistant Examiner—Clare E. Heflin

(74) *Attorney, Agent, or Firm*—Chernoff, Vilhauer, McClung & Stenzel, LLP

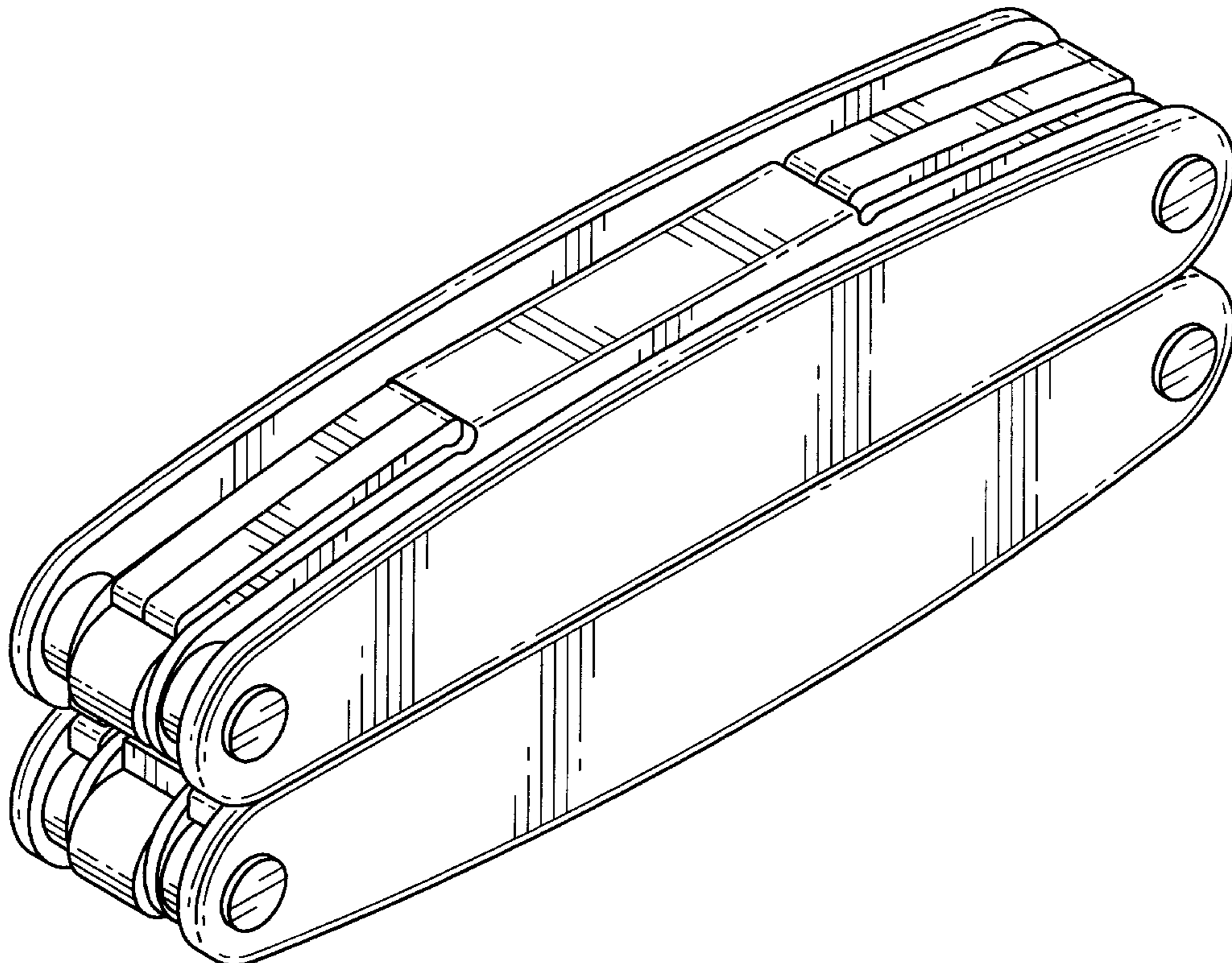
(57) **CLAIM**

The ornamental design for a folded multipurpose hand tool, as shown and described.

DESCRIPTION

FIG. 1 is an isometric view from the upper left end of a folded multipurpose hand tool, showing my new design; FIG. 2 is a side elevational view thereof, the opposite side elevational view thereof being identical with FIG. 2; FIG. 3 is a top plan view thereof, the bottom plan view thereof being identical with FIG. 3; FIG. 4 is a left end elevational view thereof; and, FIG. 5 is a right end elevational view thereof.

1 Claim, 2 Drawing Sheets



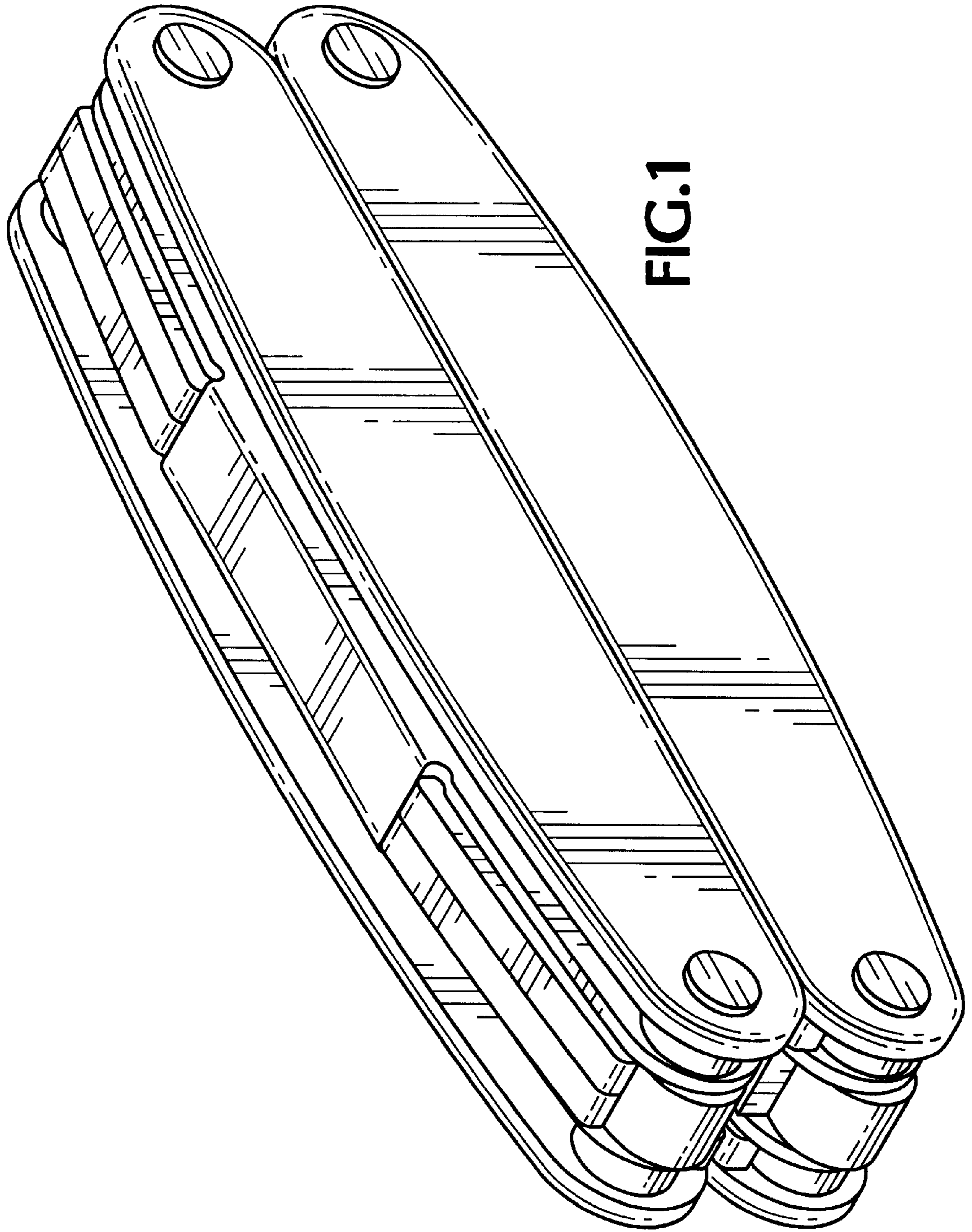


FIG. 1

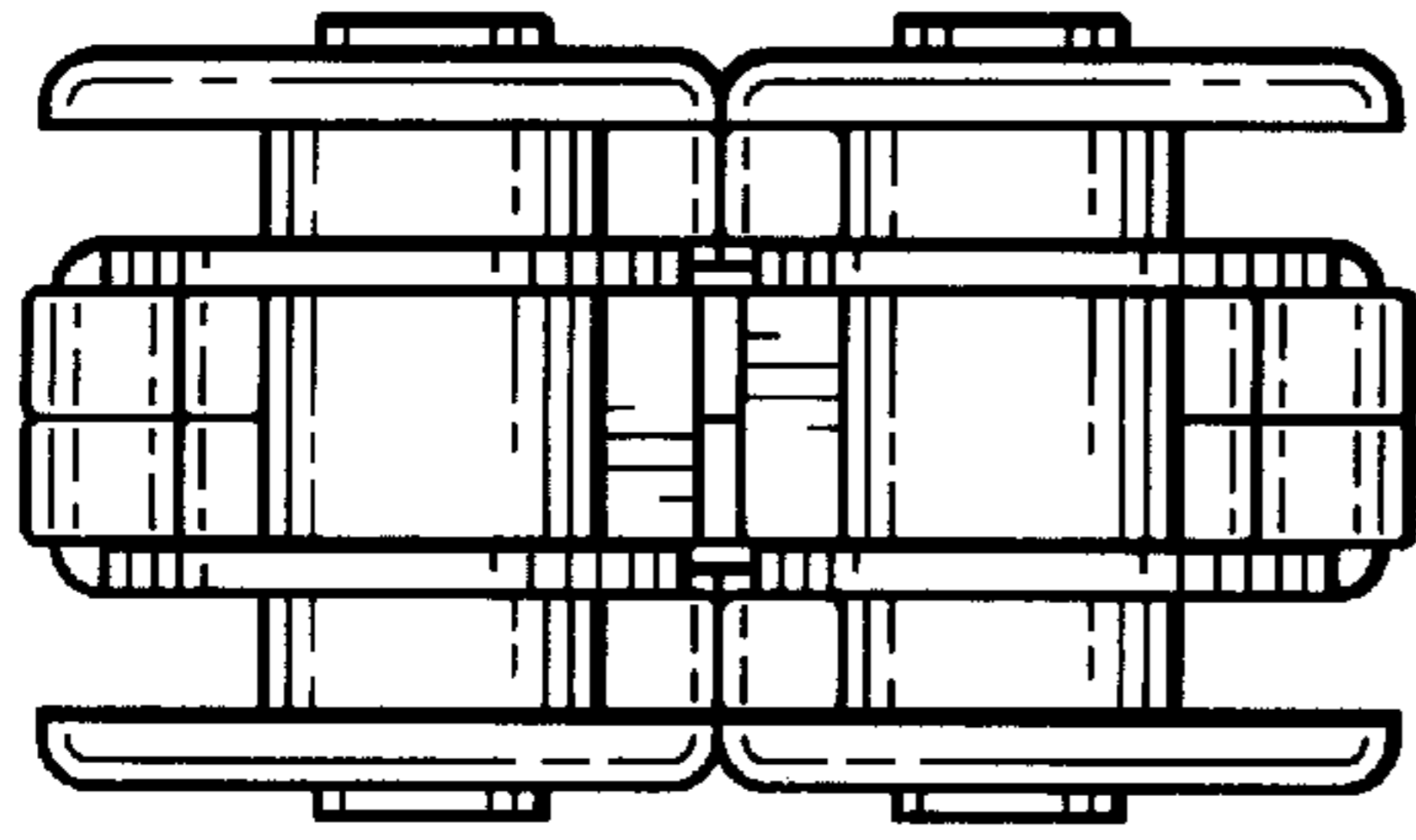


FIG. 4

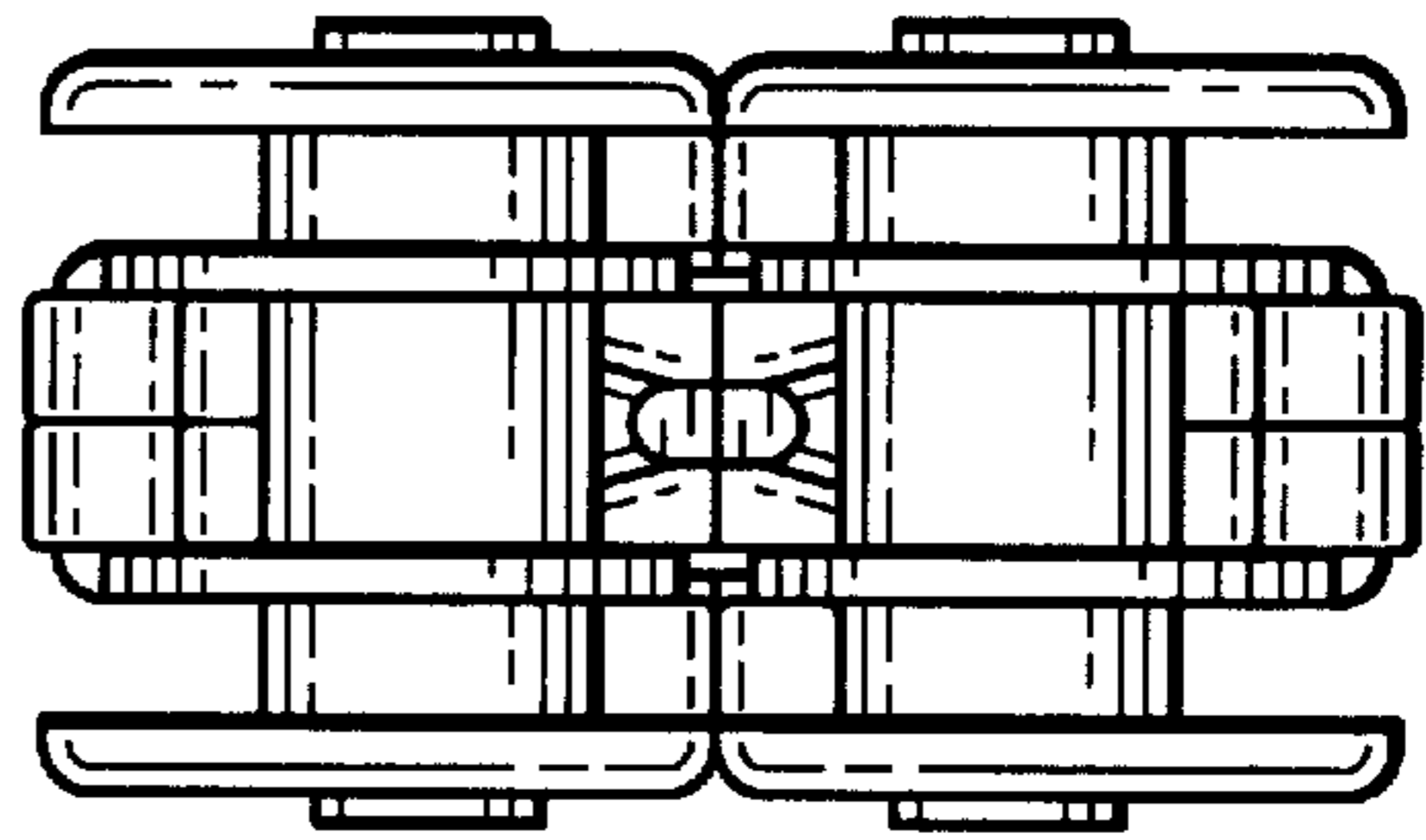


FIG. 5

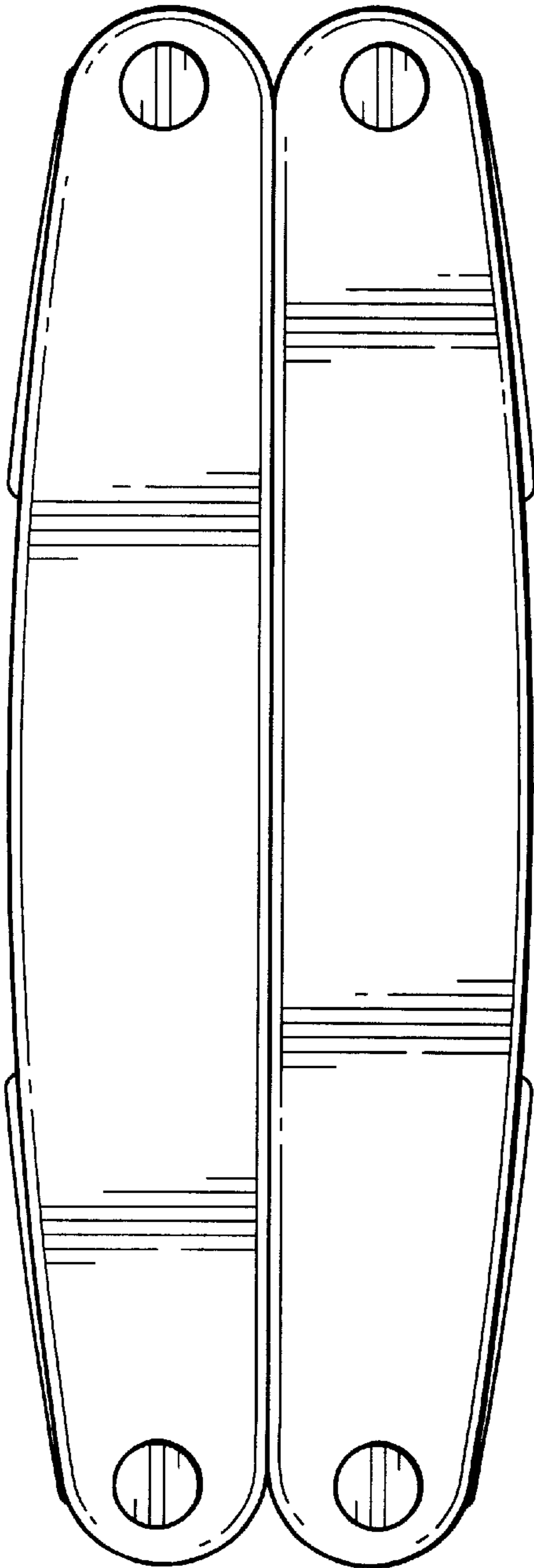


FIG. 2

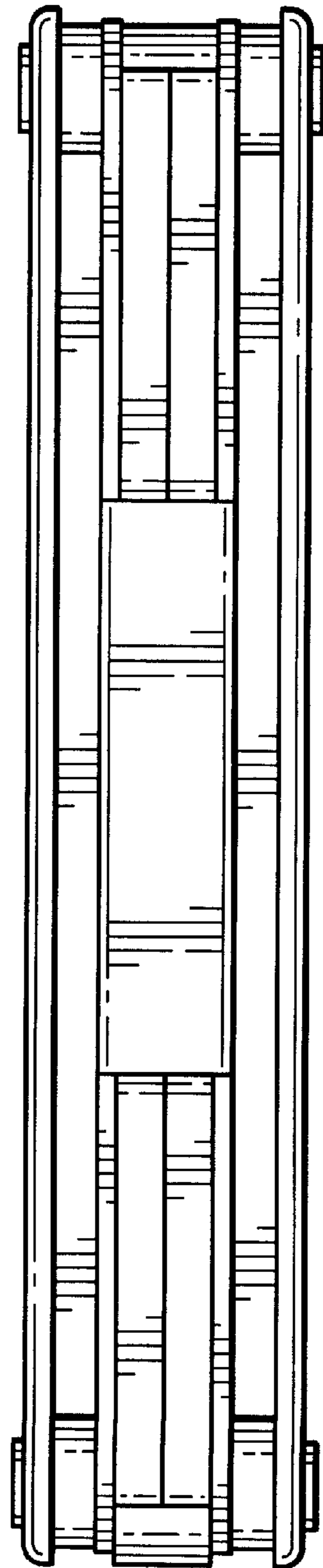


FIG. 3