



US00D446707B1

(12) **United States Design Patent**
Carlson et al.

(10) **Patent No.:** **US D446,707 S**

(45) **Date of Patent:** **** Aug. 21, 2001**

(54) **SHARPENER**

6,009,774 * 1/2000 Liedschreiber 76/82

(75) Inventors: **Christopher Robert Carlson**, Wausau;
Cory R. Boudreau, Madison; **David Franchino**, Madison; **Ryan W. Rindy**, Madison; **David E. Barnard**, Madison, all of WI (US)

* cited by examiner

Primary Examiner—Philip S. Hyder

(74) *Attorney, Agent, or Firm*—Michael D. Rehtin; Foley & Lardner

(73) Assignee: **Alterra Holdings Corporation**, Tigard, OR (US)

(57) **CLAIM**

The ornamental design for the sharpener, as shown and described.

(**) Term: **14 Years**

DESCRIPTION

(21) Appl. No.: **29/131,751**

FIG. 1 is an isometric view of a sharpener showing our new design, in an extended position;

(22) Filed: **Oct. 27, 2000**

FIG. 2 is a side elevational view thereof, in the extended position;

(51) **LOC (7) Cl.** **08-05**

FIG. 3 is a top plan view thereof, in the extended position;

(52) **U.S. Cl.** **D8/91; D8/93**

FIG. 4 is a bottom plan thereof, in the extended position;

(58) **Field of Search** D8/90, 91, 92, D8/93; 76/82, 85, 88; 451/555, 556, 557, 558, 523

FIG. 5 is a front elevational view thereof, in the extended position;

FIG. 6 is an isometric view of a sharpener showing our new design, in a folded position;

(56) **References Cited**

U.S. PATENT DOCUMENTS

D. 276,885	*	12/1984	Hall	D8/93
D. 277,166	*	1/1985	Call	D8/91
D. 318,782	*	8/1991	LeBeau	D8/91
D. 367,598	*	3/1996	Fortenberry	D8/91
D. 374,804	*	10/1996	Hughes	D8/93
D. 394,596	*	5/1998	Byers et al.	D8/93
5,879,229	*	3/1999	Anderson	451/523

FIG. 7 is a top plan view thereof, in the folded position;

FIG. 8 is a side elevational view thereof, in the folded position;

FIG. 9 is a front elevational view thereof, in the folded position; and,

FIG. 10 is a rear elevational view thereof, in the folded position.

1 Claim, 3 Drawing Sheets

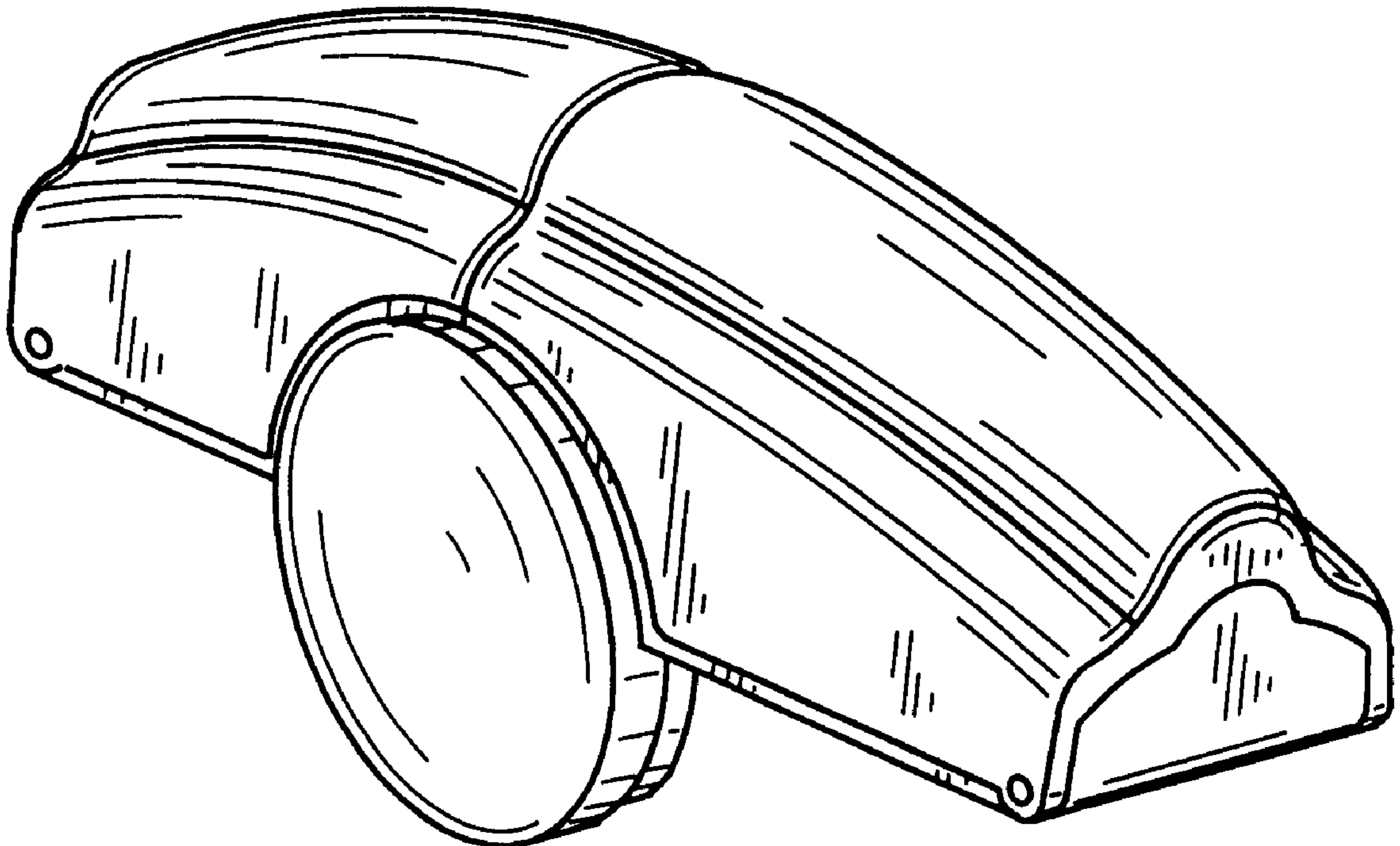


FIG. 1

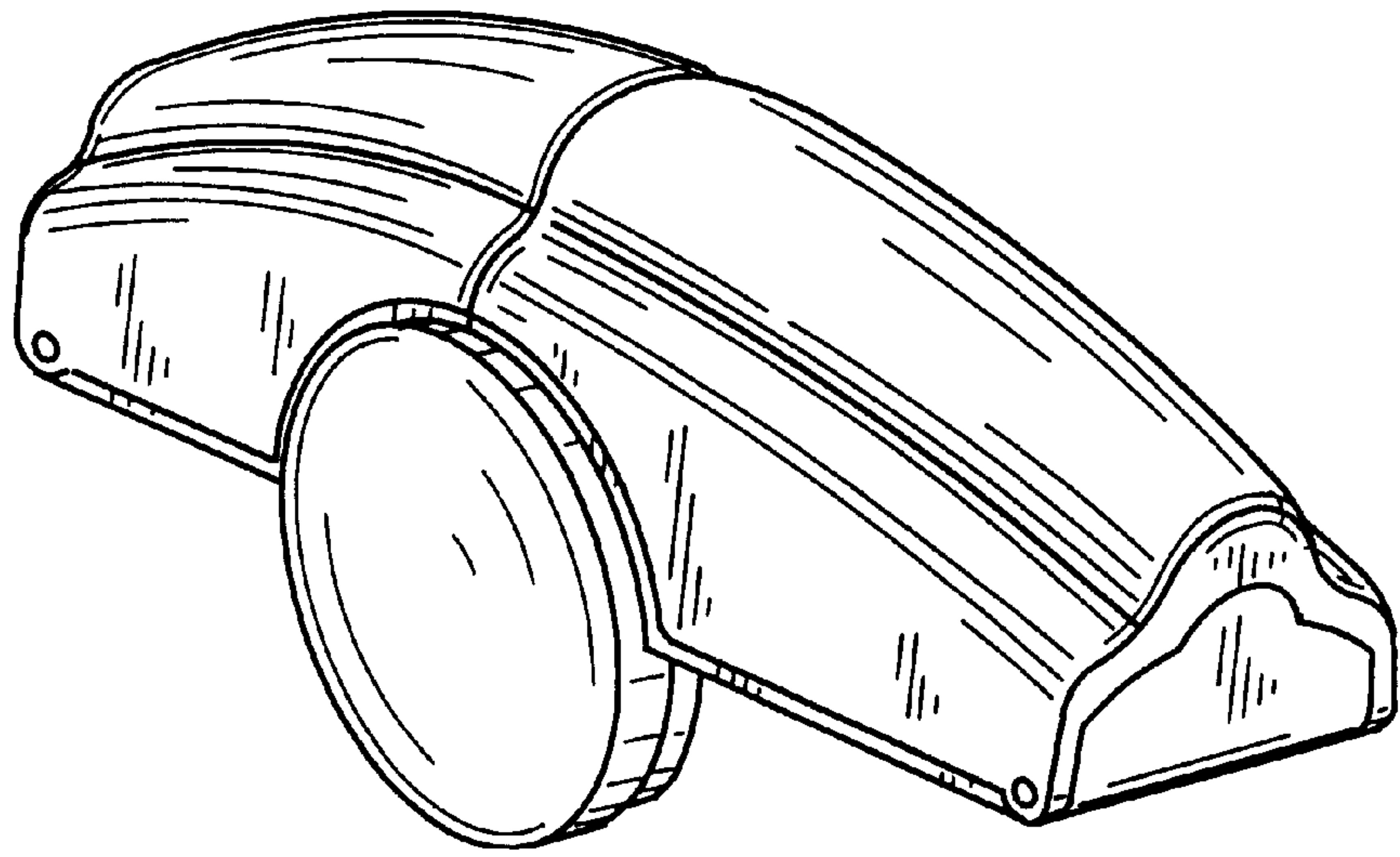
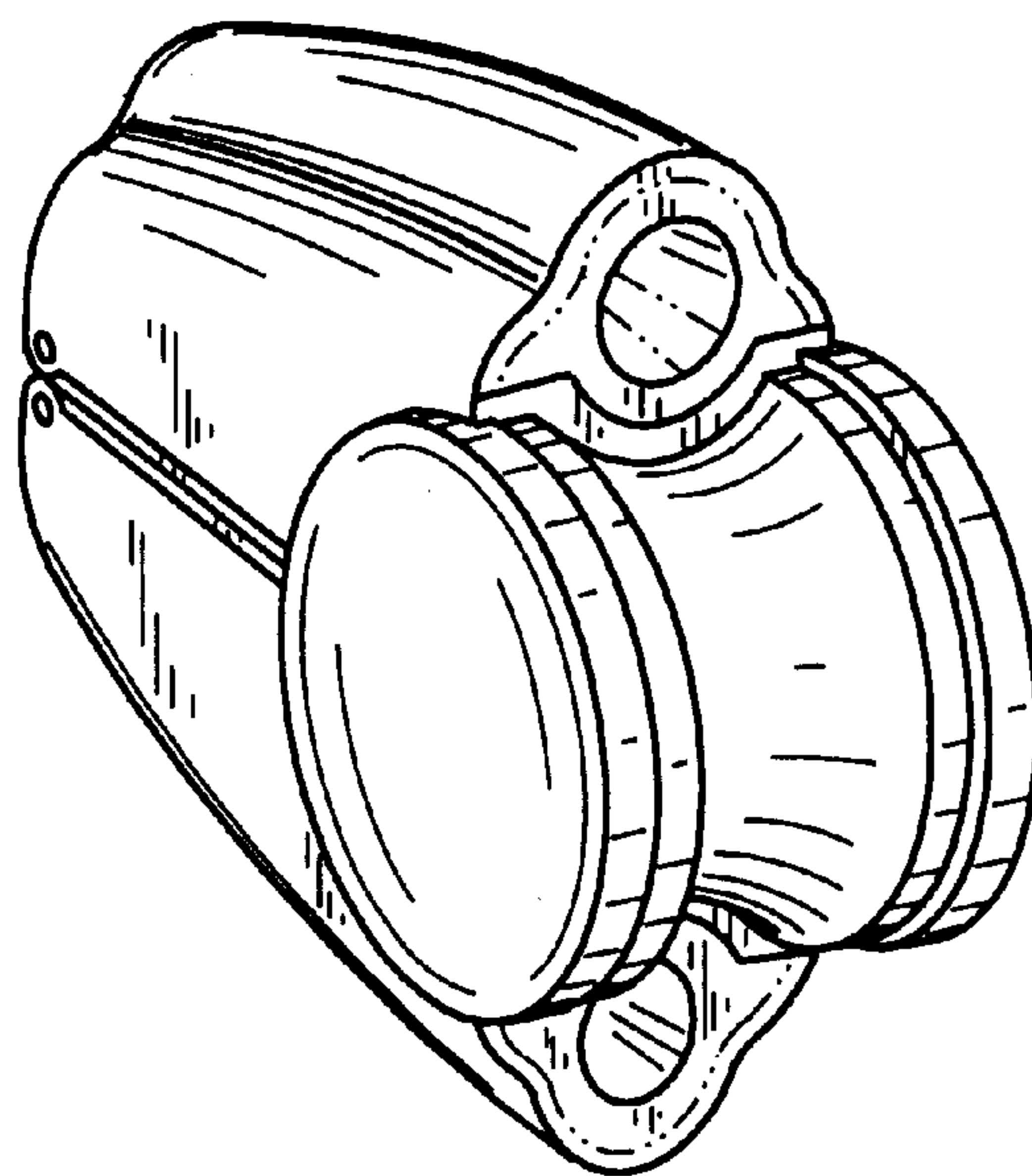


FIG. 6



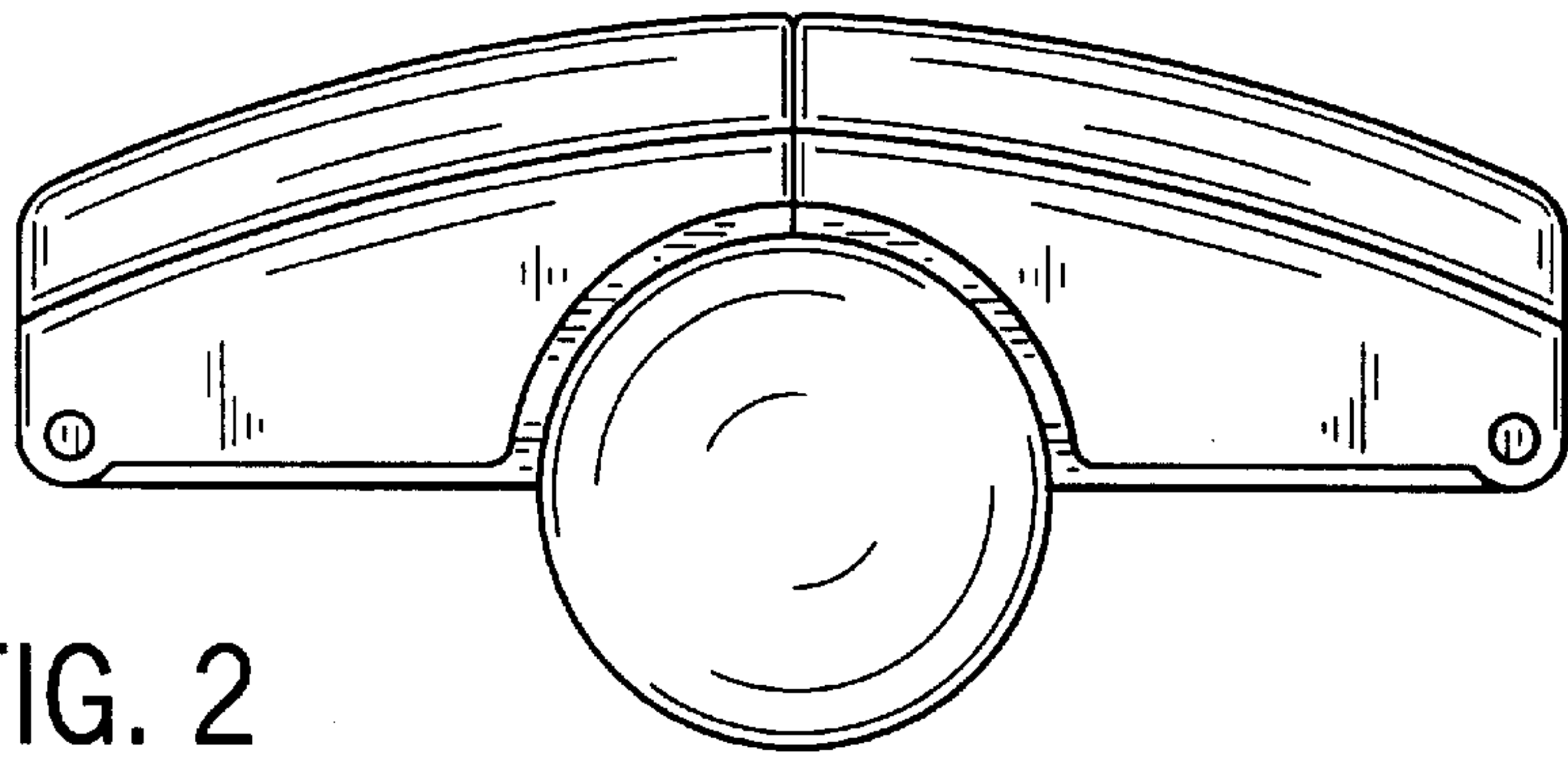


FIG. 2

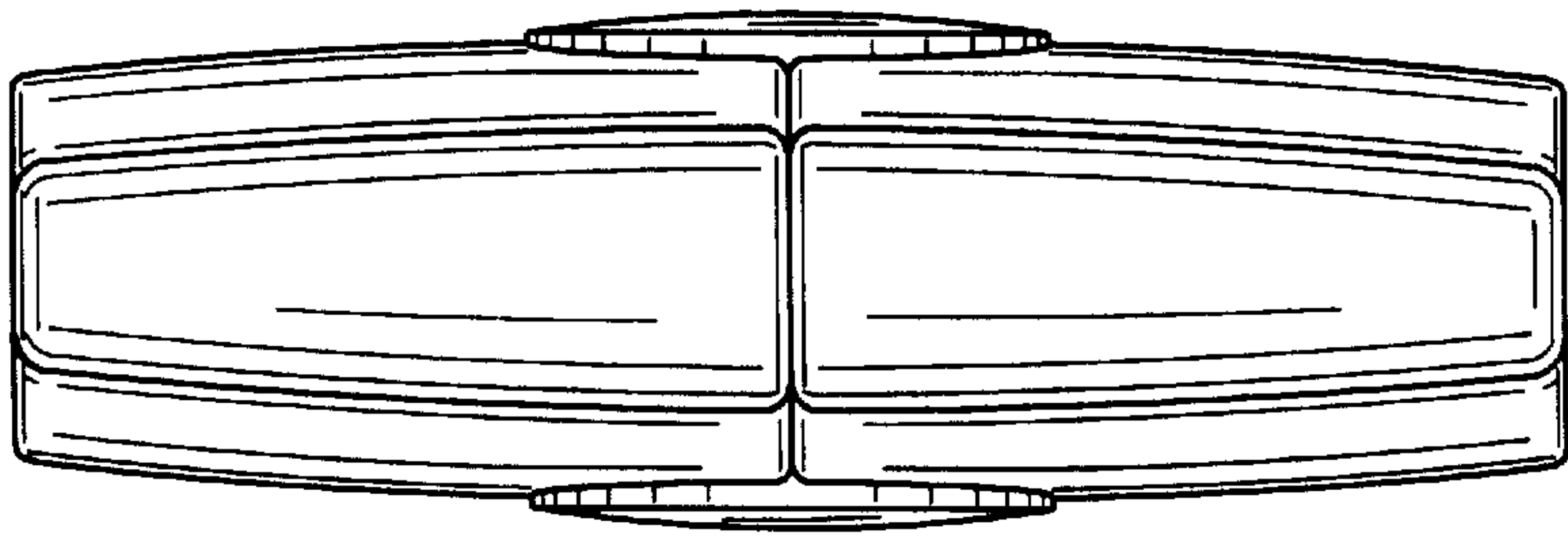


FIG. 3

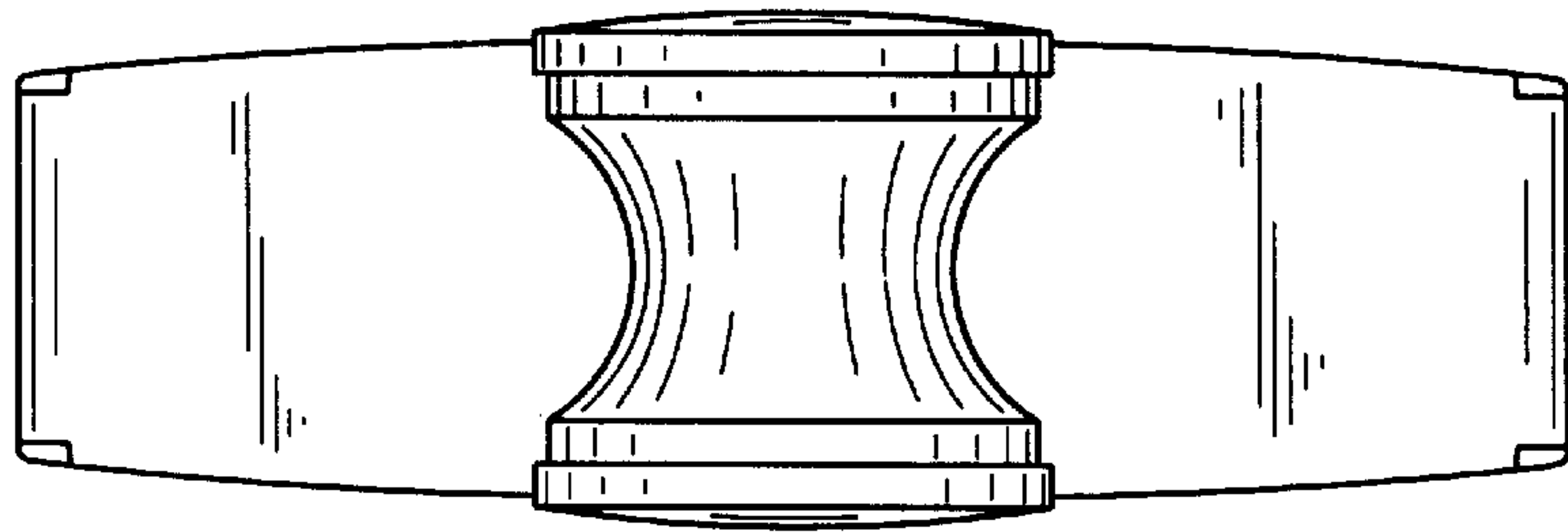


FIG. 4

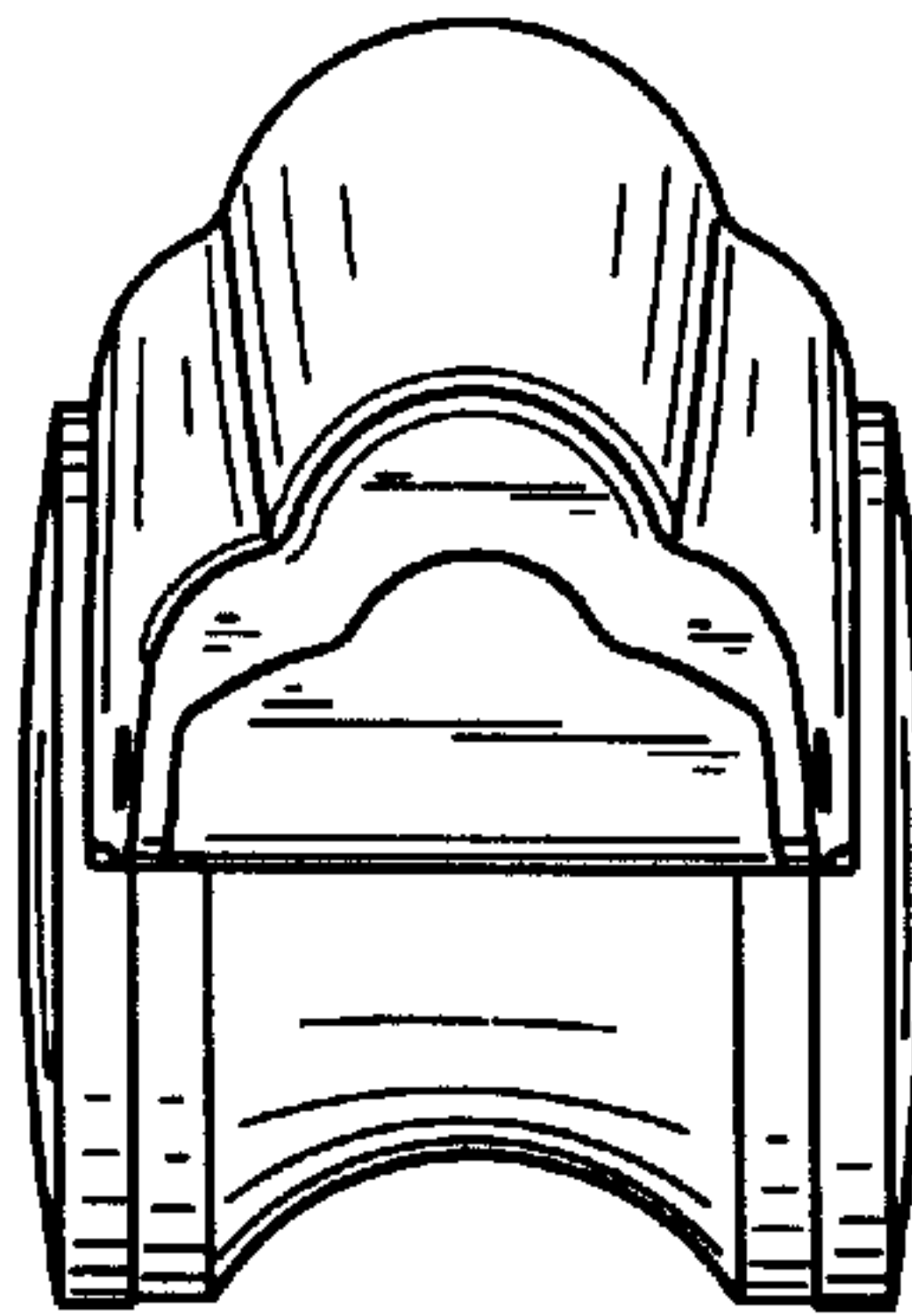


FIG. 5

FIG. 7

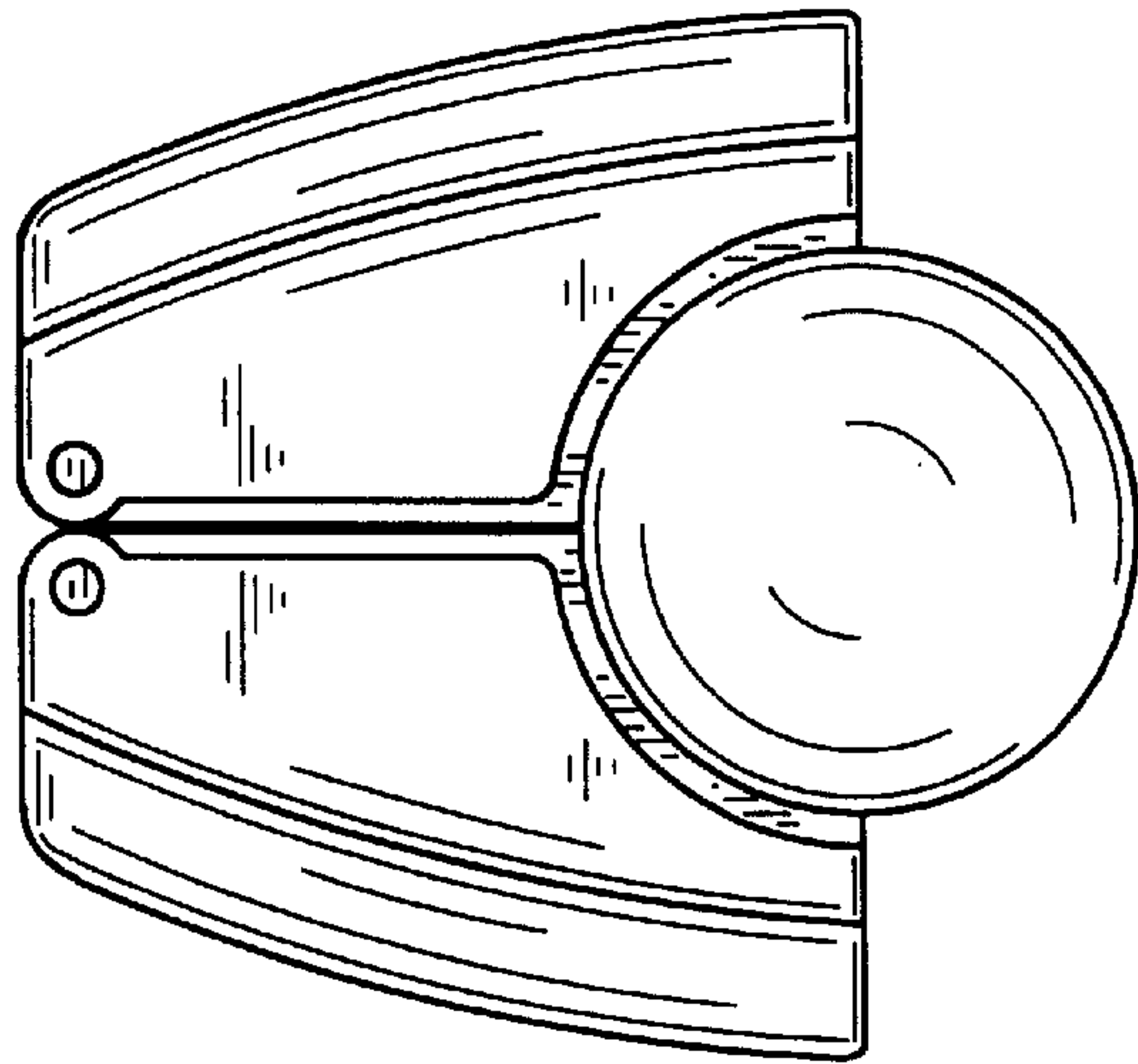


FIG. 8

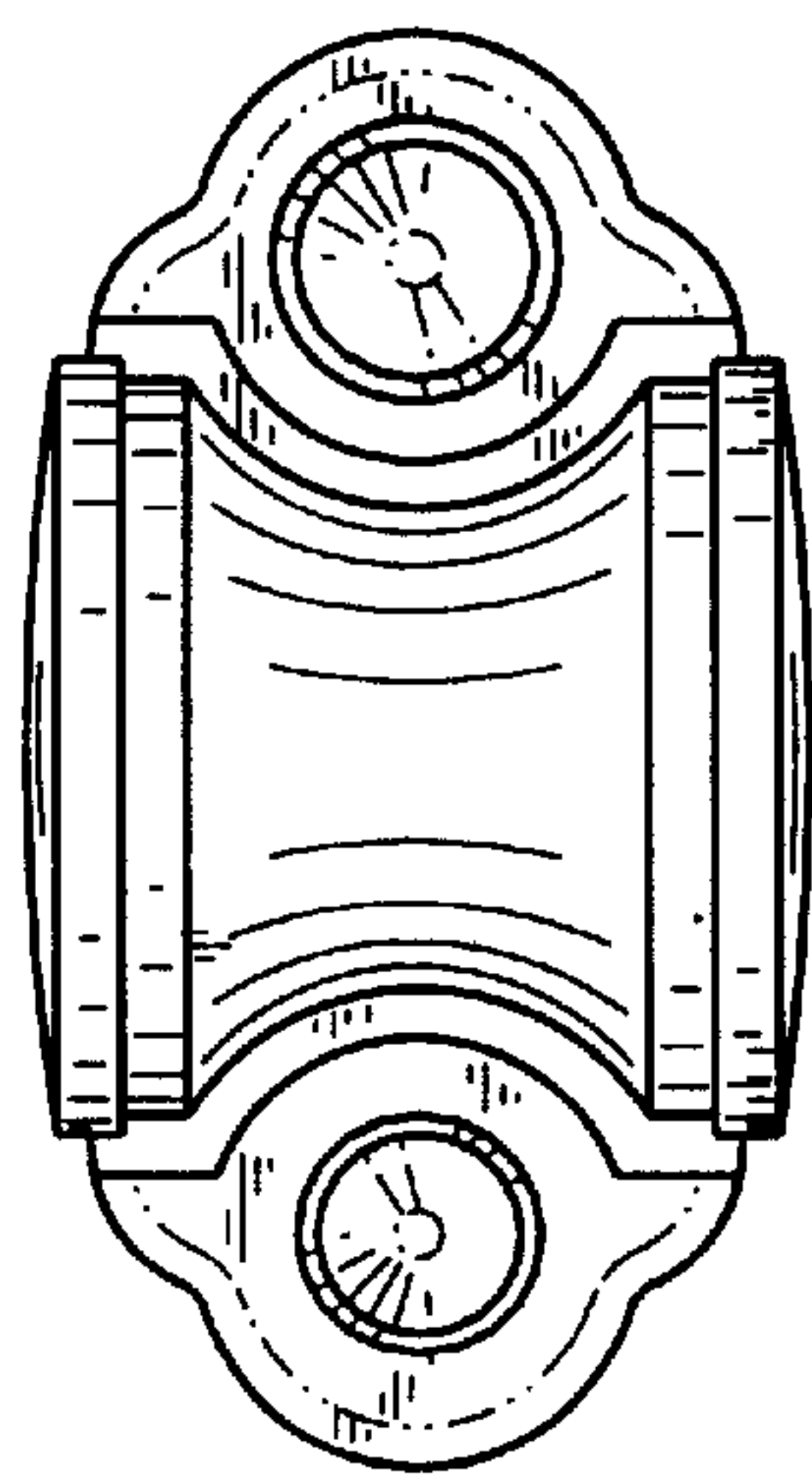
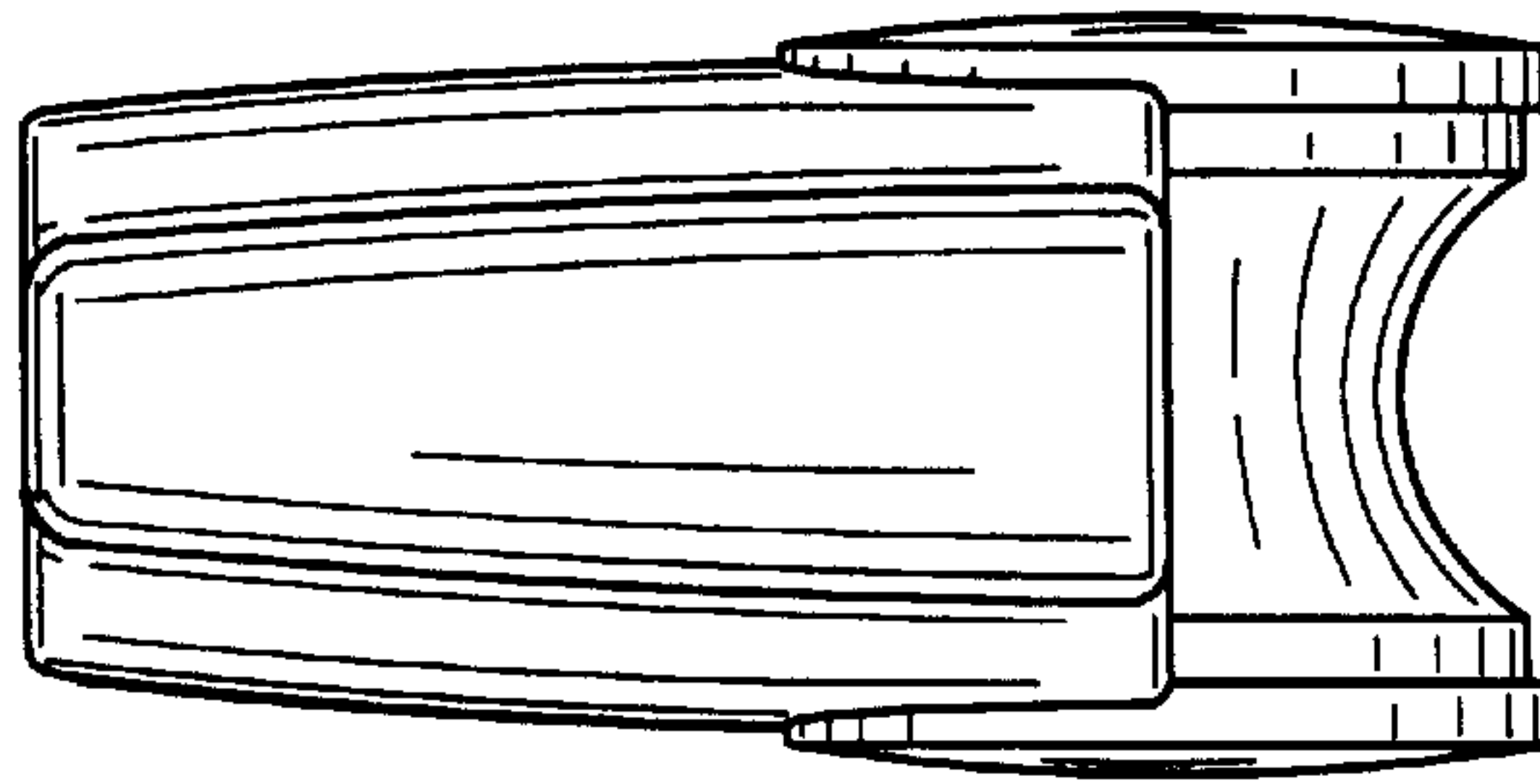


FIG. 9

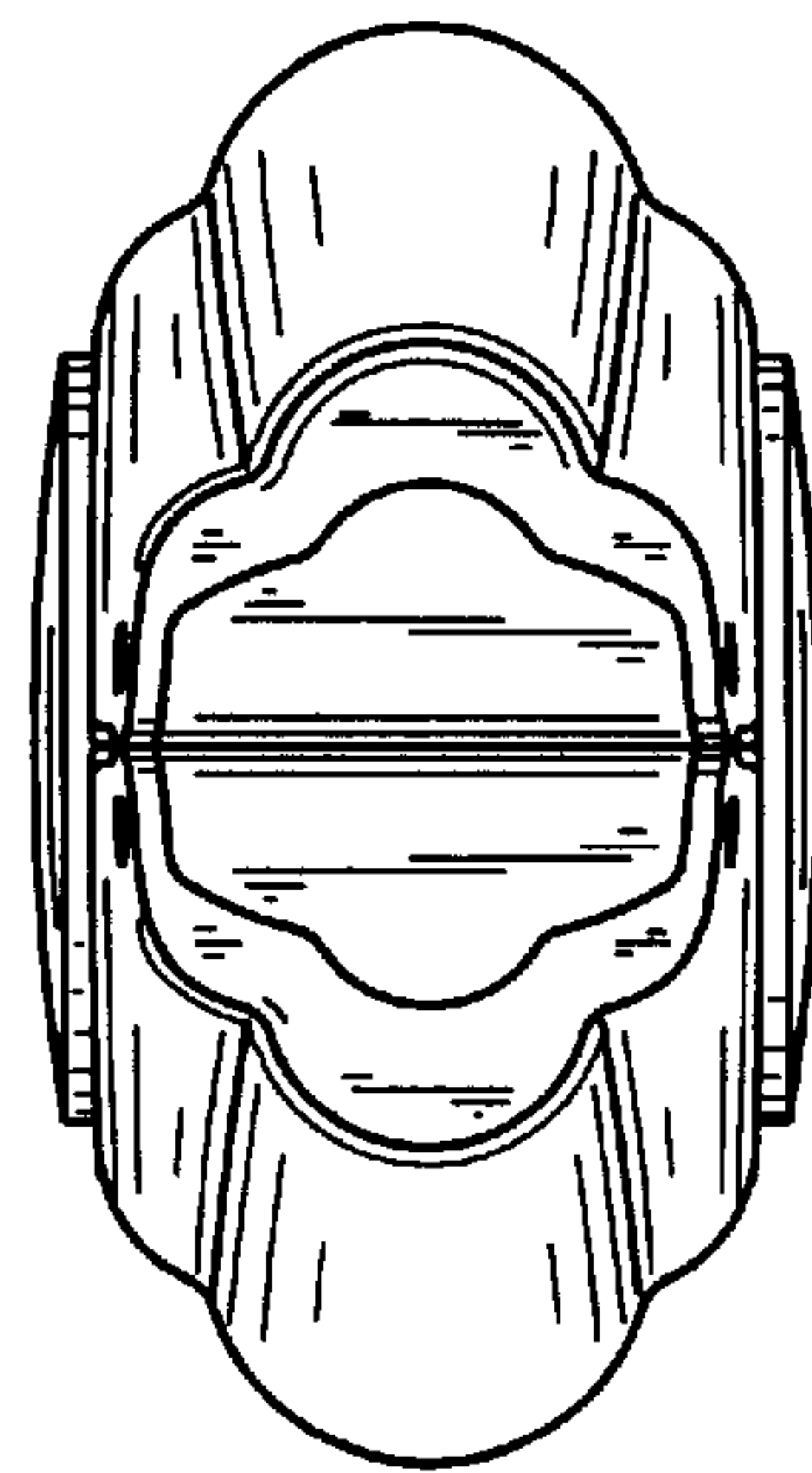


FIG. 10