



US00D446704B1

(12) **United States Design Patent**  
**Shibata et al.**

(10) **Patent No.:** **US D446,704 S**

(45) **Date of Patent:** **\*\* Aug. 21, 2001**

(54) **PORTABLE ELECTRIC DRIVER**  
  
(75) Inventors: **Yoshinori Shibata**, Anjo; **Hisashi Higuchi**, Chita; **Tadashi Kito**, Inazawa, all of (JP)  
  
(73) Assignee: **Makita Corporation**, Anjo (JP)  
  
(\*\*) Term: **14 Years**

D. 345,090 \* 3/1994 Okumura ..... D8/68  
D. 345,682 \* 4/1994 Sasaki et al. .... D8/68  
D. 392,863 \* 3/1998 Sugimoto et al. .... D8/68  
D. 411,947 \* 7/1999 Sugimoto et al. .... D8/68  
D. 424,902 \* 5/2000 Gildersleeve et al. .... D8/68  
D. 437,761 \* 2/2001 Okumura et al. .... D8/68  
5,213,913 \* 5/1993 Anthony, III et al. .... 429/97  
5,526,460 \* 6/1996 DeFrancesco et al. .... 388/831  
6,066,938 \* 5/2000 Hyodo et al. .... 320/114

(21) Appl. No.: **29/131,093**  
(22) Filed: **Oct. 13, 2000**  
(30) **Foreign Application Priority Data**  
Apr. 18, 2000 (JP) ..... 12-014102  
(51) **LOC (7) Cl.** ..... **03-01**  
(52) **U.S. Cl.** ..... **D8/68**  
(58) **Field of Search** ..... D8/61-70; 81/57.11, 81/54, 57.42; 173/170, 217, 213, 216, 169, 164; 320/114, 14; 451/344, 357-359; 310/50

**OTHER PUBLICATIONS**

1995 Dewalt catalog, item DW967K.\*

\* cited by examiner

*Primary Examiner*—Jeffrey Asch

(74) *Attorney, Agent, or Firm*—Foley Hoag & Eliot LLP

(57) **CLAIM**

The ornamental design for a portable electric driver, as shown and described.

**DESCRIPTION**

FIG. 1 is a perspective view of a portable electric driver shown our new design;

FIG. 2 is a front view thereof;

FIG. 3 is a rear view thereof;

FIG. 4 is a left side elevational view thereof;

FIG. 5 is a right side elevational view thereof;

FIG. 6 is a top plan view thereof; and,

FIG. 7 is a bottom plan view thereof.

(56) **References Cited**  
**U.S. PATENT DOCUMENTS**  
D. 295,714 \* 5/1988 Sasaki et al. .... D8/68  
D. 296,412 \* 6/1988 Nelson et al. .... D8/68  
D. 296,655 \* 7/1988 Yonezawa et al. .... D8/68  
D. 320,917 10/1991 Fushiya ..... D8/68  
D. 329,580 \* 9/1992 Sasaki et al. .... D8/68  
D. 335,073 \* 4/1993 Anthony et al. .... D8/68  
D. 339,046 \* 9/1993 Fushiya et al. .... D8/68  
D. 342,430 \* 12/1993 Saito et al. .... D8/68

**1 Claim, 5 Drawing Sheets**

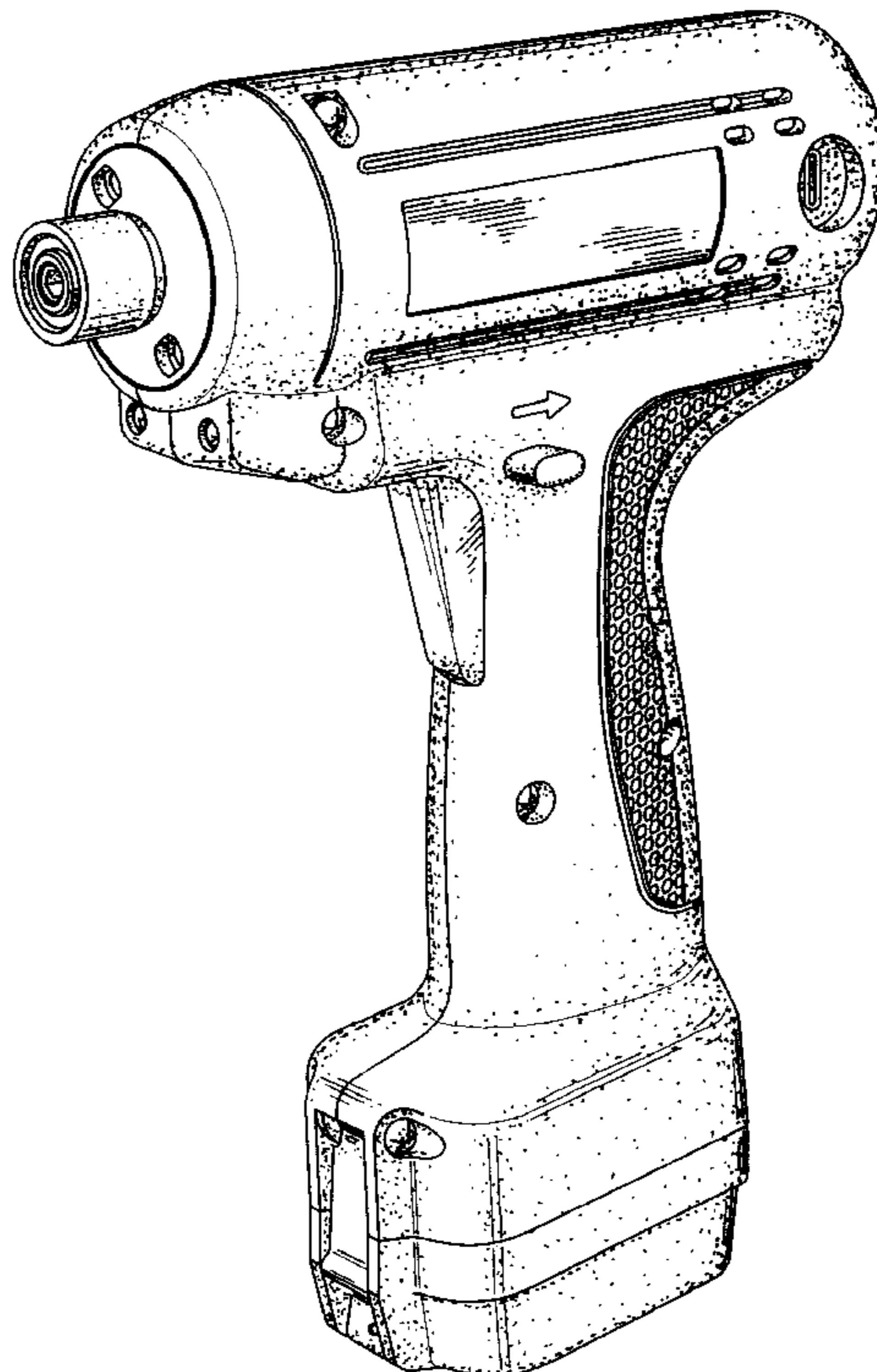


FIG. 1

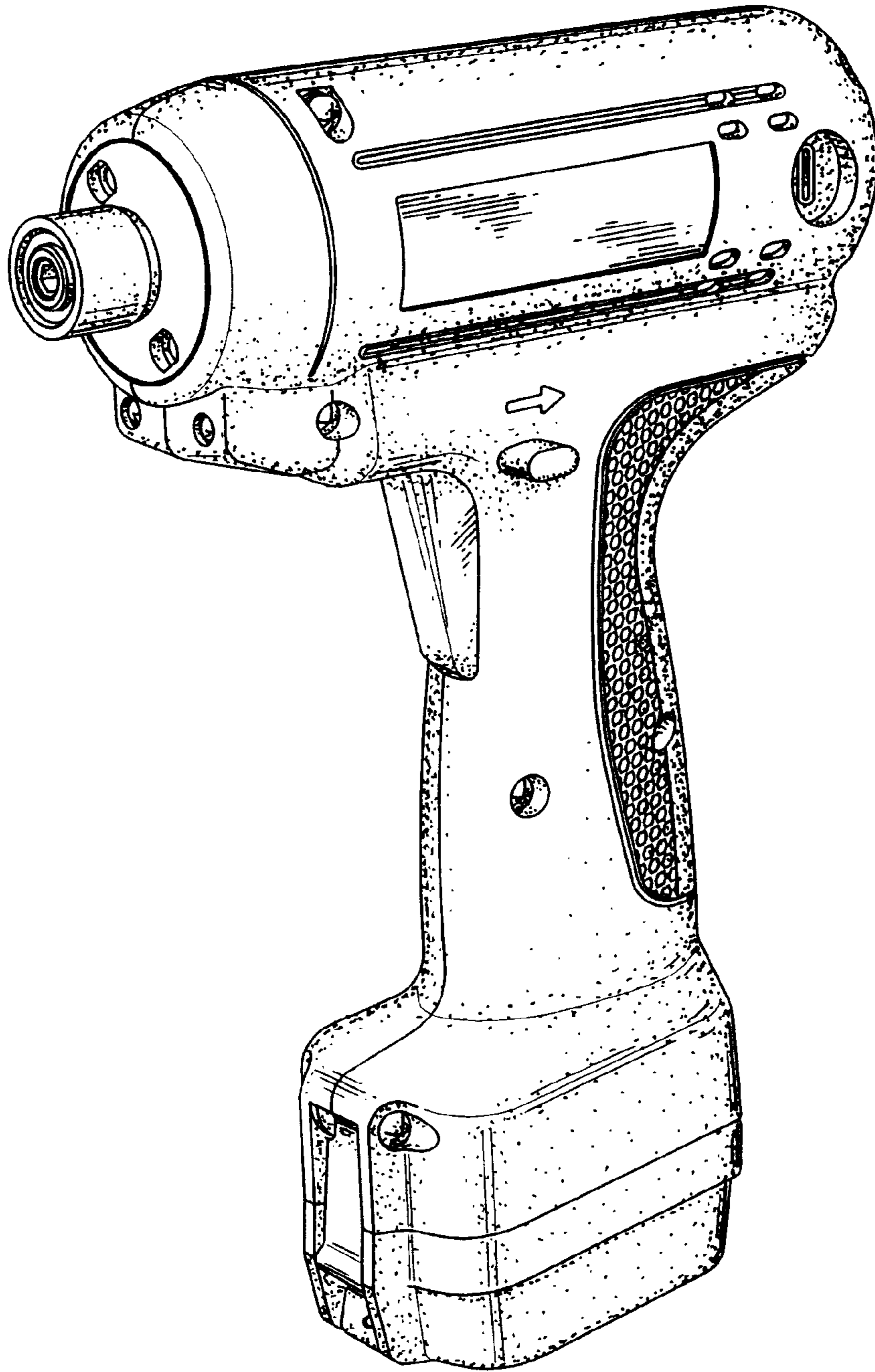
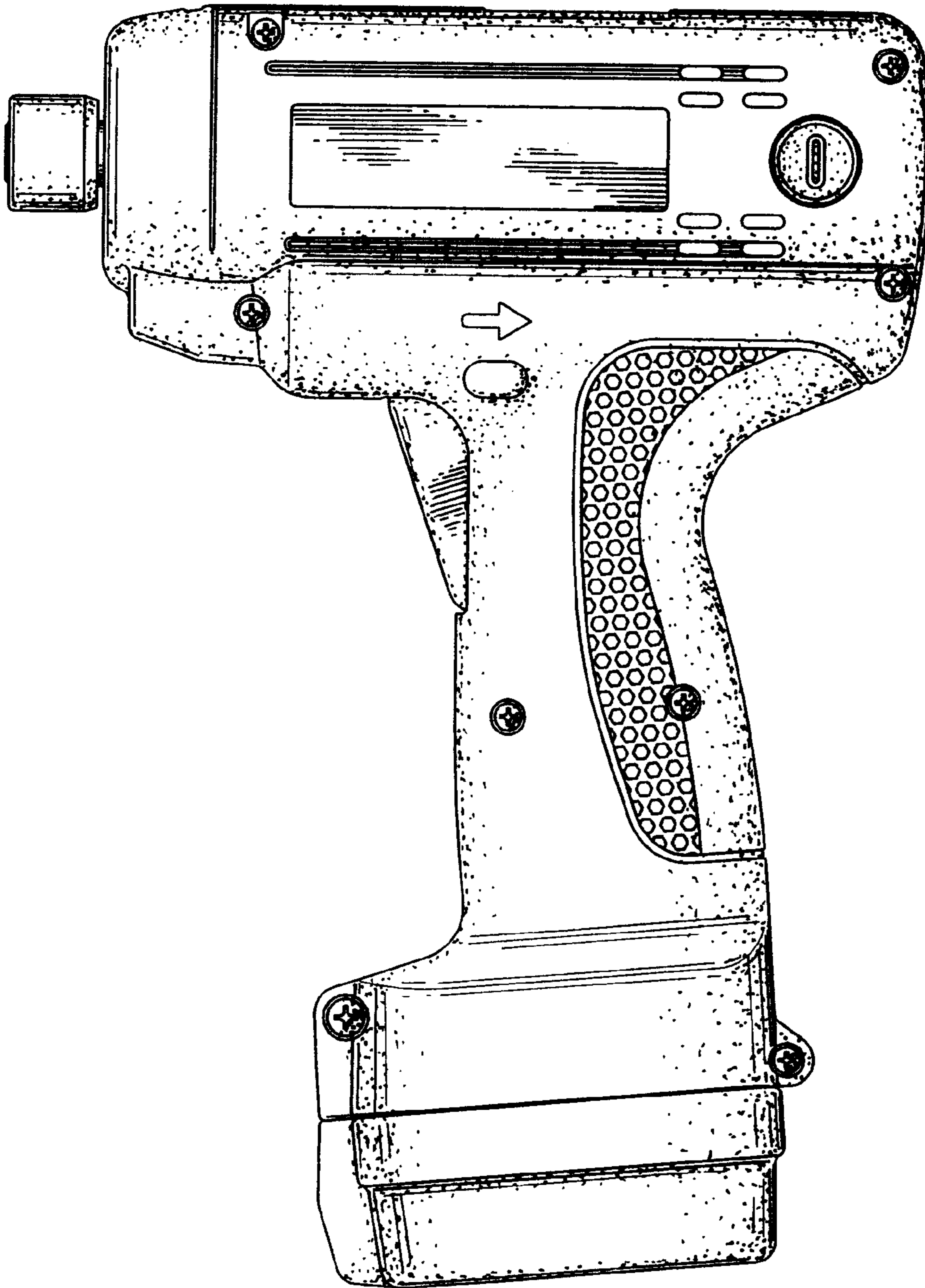


FIG. 2



# FIG. 3

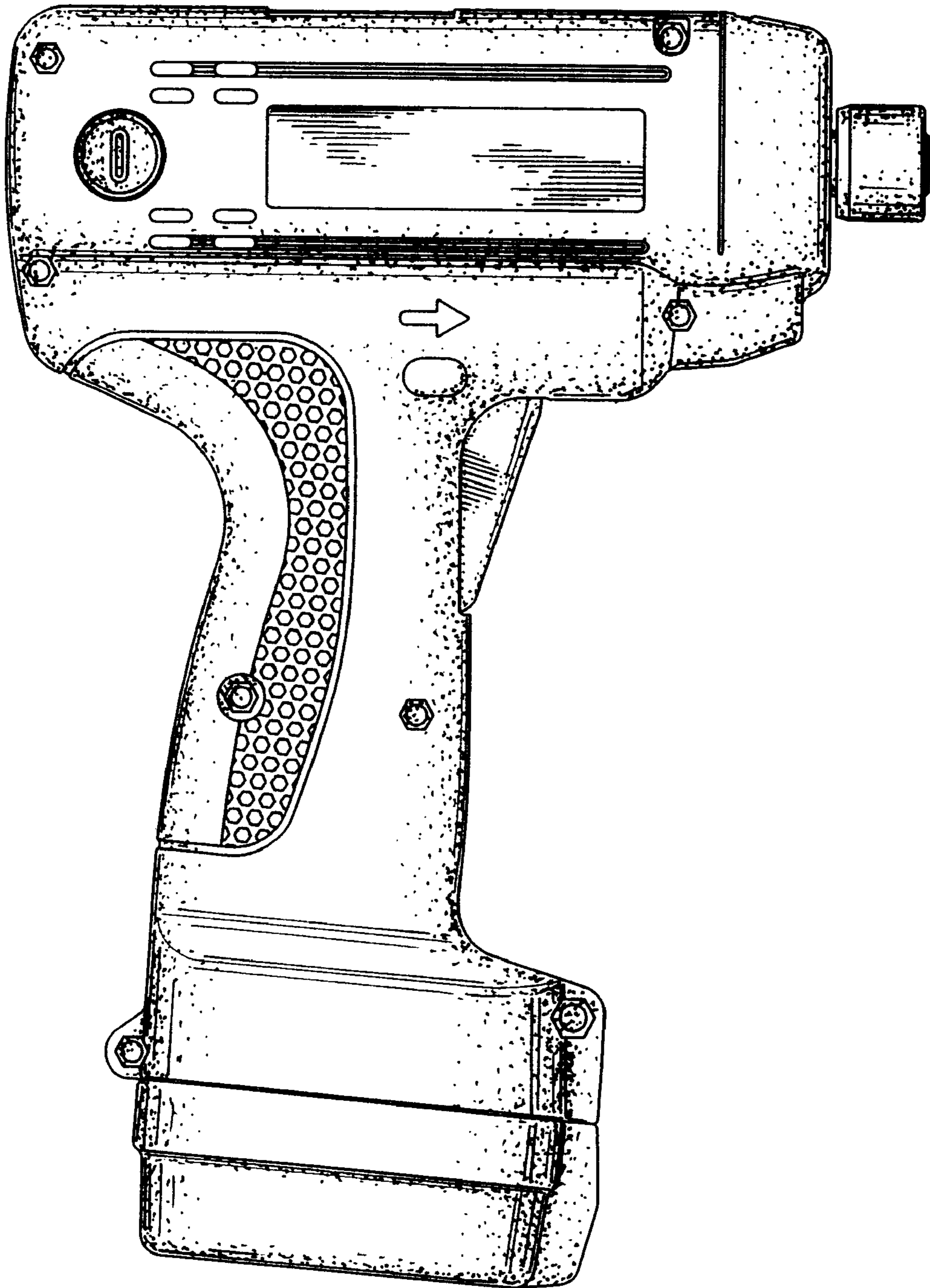


FIG. 4

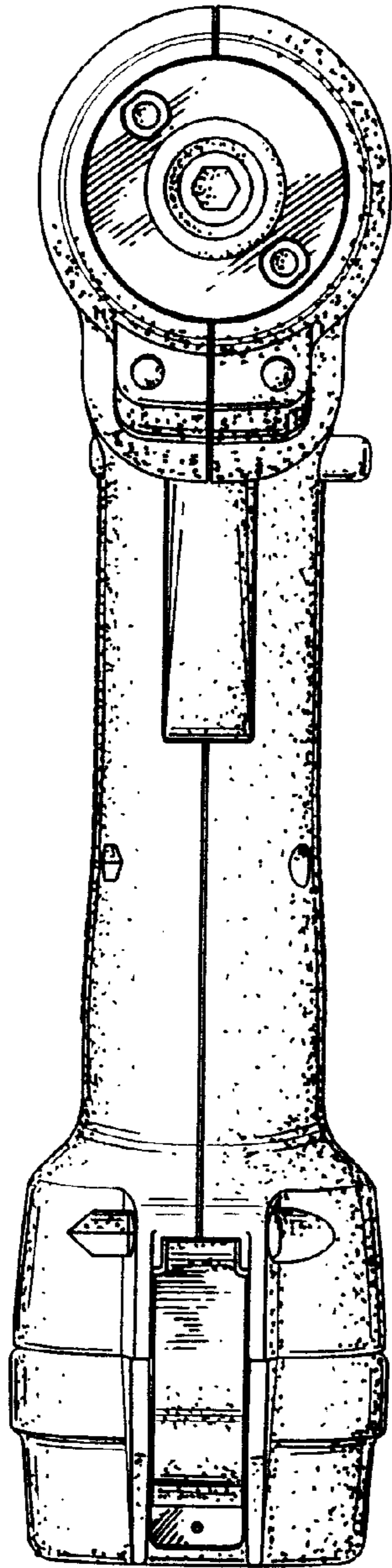


FIG. 5

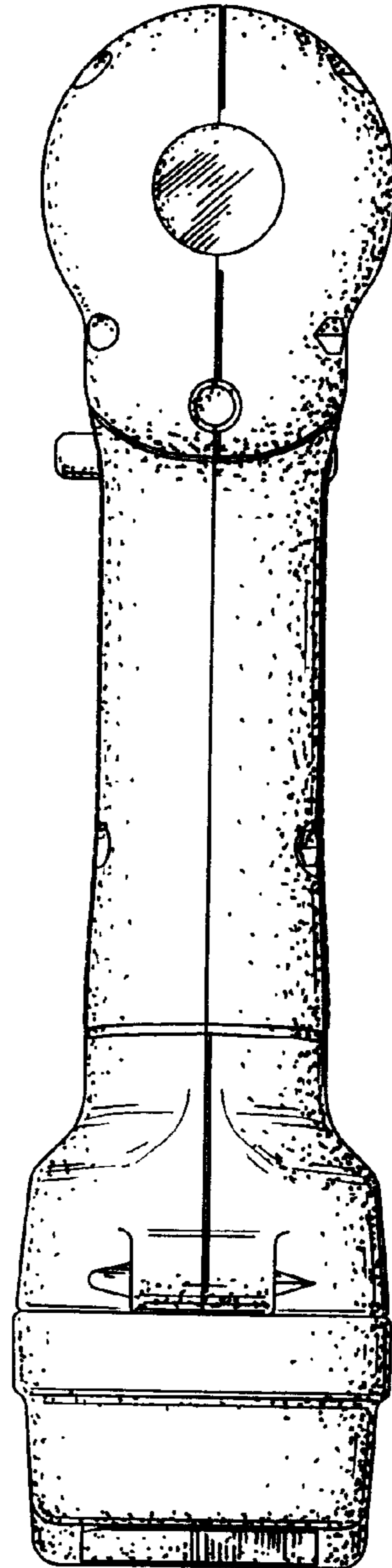


FIG. 6

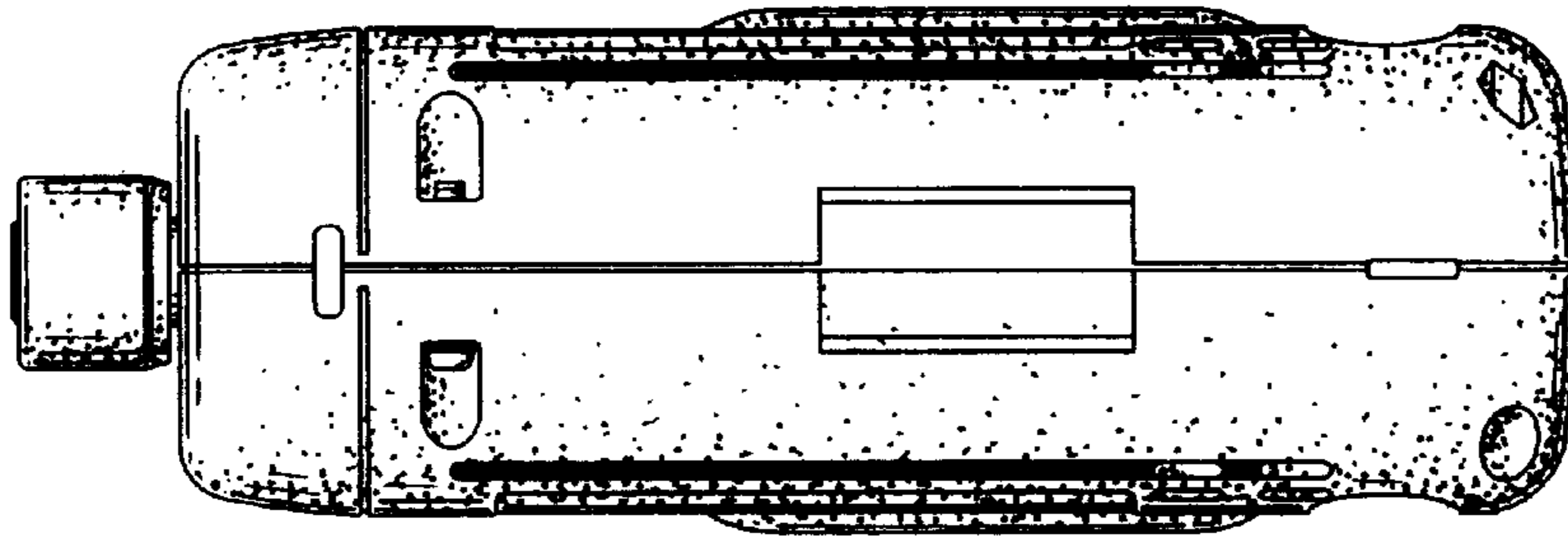


FIG. 7

