



US00D446701B1

(12) **United States Design Patent**
Coleman, Jr. et al.

(10) **Patent No.:** **US D446,701 S**

(45) **Date of Patent:** **** Aug. 21, 2001**

(54) **MAGNET HEAD FOR MAGNETIC RETRIEVAL TOOL**

(76) Inventors: **Edward S. Coleman, Jr.**, 116 Keeler Dr., Ridgefield, CT (US) 06877;
Stanley Stromski, 860 Ostrander Ave., Riverhead, NY (US) 11901

(**) Term: **14 Years**

(21) Appl. No.: **29/132,196**

(22) Filed: **Nov. 2, 2000**

(51) **LOC (7) Cl.** **08-05**

(52) **U.S. Cl.** **D8/14**

(58) **Field of Search** D8/14; 294/19.1, 294/65.5, 100; 335/285

(56) **References Cited**

U.S. PATENT DOCUMENTS

D. 378,337	*	3/1997	Reynolds et al.	D8/14
D. 397,006	*	8/1998	Coleman, Jr. et al.	D8/14
D. 413,497	*	9/1999	Coleman, Jr. et al.	D8/14
3,582,123	*	6/1971	Kyser	294/65.5

4,813,729	*	3/1989	Speckhart	294/65.5
5,261,714	*	11/1993	Slusar et al.	294/65.5
5,381,319	*	1/1995	Shiao	362/120
5,647,623	*	7/1997	Shiao	294/65.5
5,810,409	*	9/1998	Hardie	294/65.5
5,945,901	*	8/1999	Coleman, Jr. et al.	335/285

* cited by examiner

Primary Examiner—Philip S. Hyder

(57) **CLAIM**

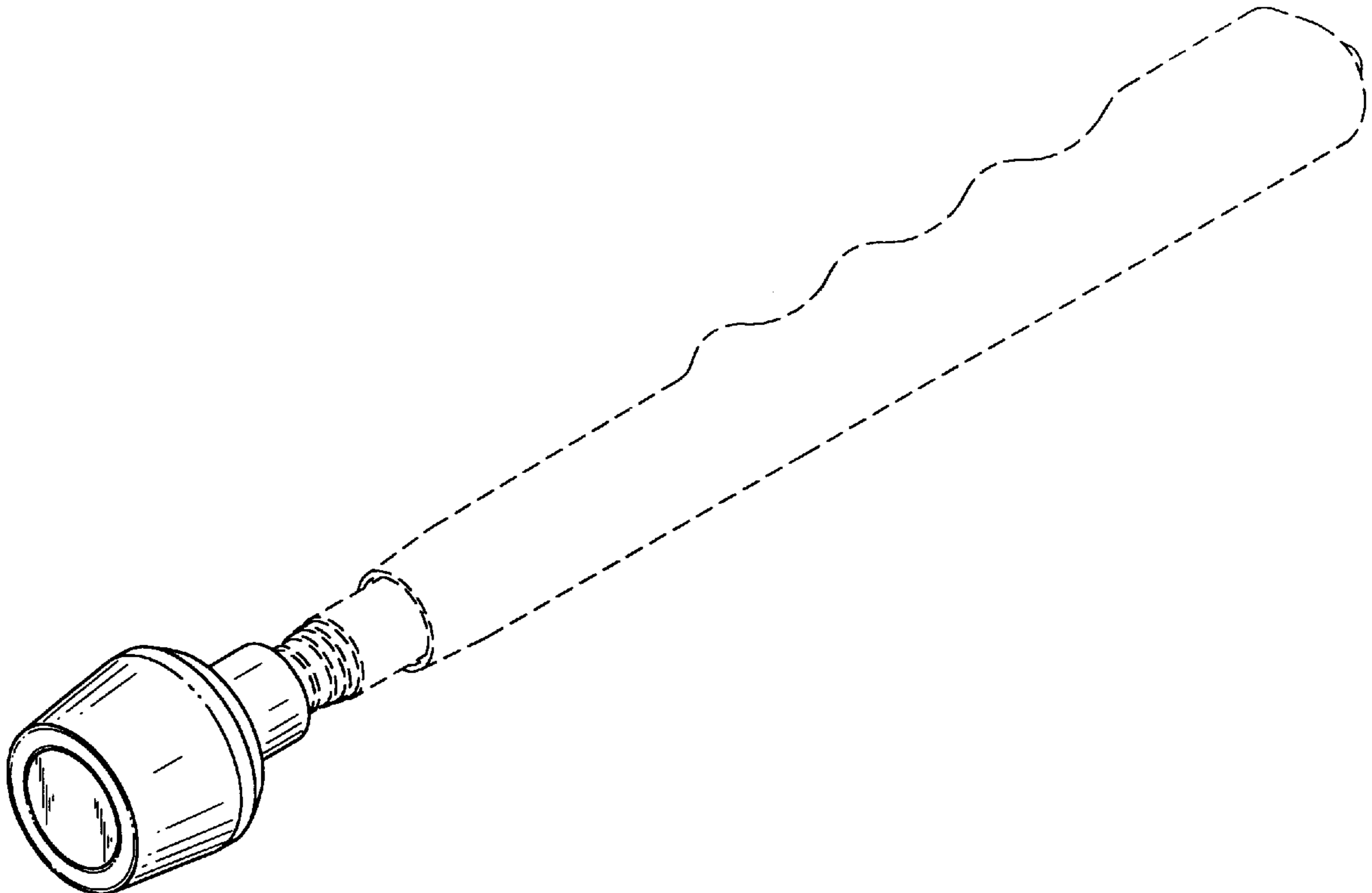
The ornamental design for a magnet head for magnetic retrieval tool, as shown.

DESCRIPTION

FIG. 1 is a perspective view of a magnet head for magnetic retrieval tool, showing my new design;
FIG. 2 is a side elevational view thereof;
FIG. 3 is a front elevational view thereof; and,
FIG. 4 is a rear elevational view thereof.

The broken line portions of the disclosure are for illustrative purposes only and form no part of the claimed design.

1 Claim, 1 Drawing Sheet



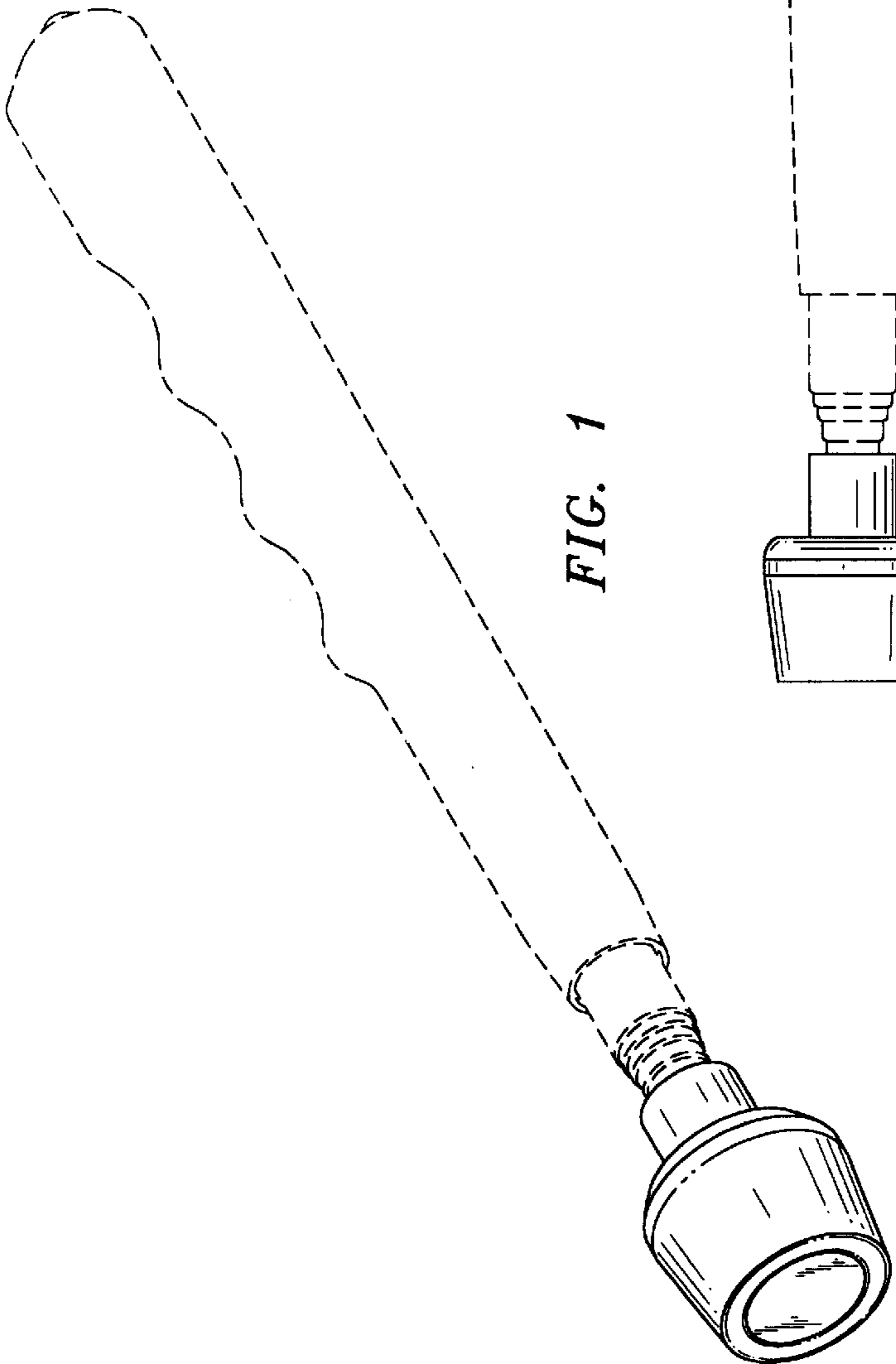


FIG. 1



FIG. 2

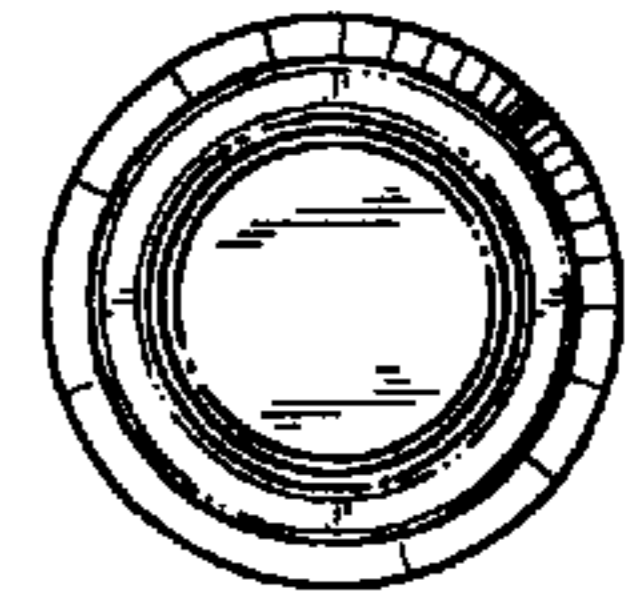


FIG. 3

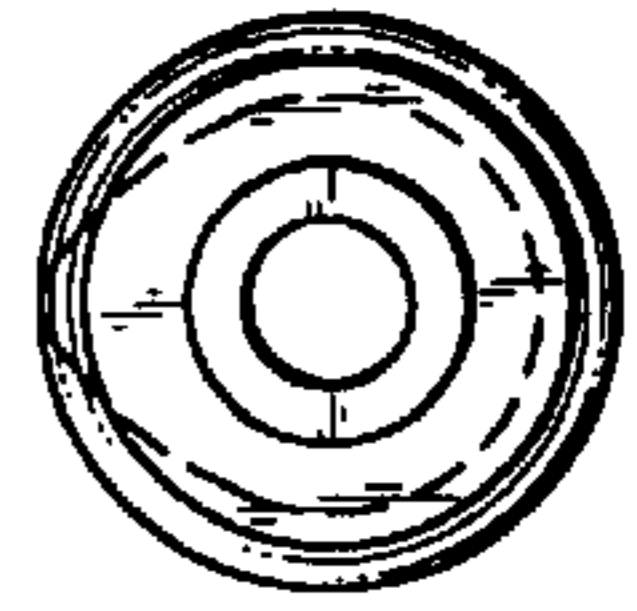


FIG. 4

UNITED STATES PATENT AND TRADEMARK OFFICE
CERTIFICATE OF CORRECTION

PATENT NO. : Des. 446,701 S
DATED : August 21, 2001
INVENTOR(S) : Edward S. Coleman, Jr. et al.

Page 1 of 1

It is certified that error appears in the above-identified patent and that said Letters Patent is hereby corrected as shown below:

Title page,

After item [76], Inventors, insert:

-- [73] Assignee: **Ullman Devices Corporation**
Ridgefield, CT 06877 --

Signed and Sealed this

Twenty-second Day of October, 2002

Attest:



Attesting Officer

JAMES E. ROGAN
Director of the United States Patent and Trademark Office