



US00D446688B1

(12) **United States Design Patent**
Vanello

(10) **Patent No.: US D446,688 S**

(45) **Date of Patent: ** *Aug. 21, 2001**

(54) **BOWL SUPPORT**

(76) Inventor: **Anthony D. Vanello**, 1227 Jackson St., Philadelphia, PA (US) 19148

(*) Notice: This patent is subject to a terminal disclaimer.

(**) Term: **14 Years**

(21) Appl. No.: **29/089,361**

(22) Filed: **Jun. 15, 1998**

Related U.S. Application Data

(63) Continuation-in-part of application No. 29/068,295, filed on Mar. 27, 1997, now Pat. No. Des. 397,584.

(51) **LOC (7) Cl.** **07-01**

(52) **U.S. Cl.** **D7/601**

(58) **Field of Search** D7/602, 704, 388, D7/387, 396.6, 403, 409, 601, 558; 220/484, 23.4

(56) **References Cited**

U.S. PATENT DOCUMENTS

D. 174,926 6/1955 Semler D7/388

| | | | | |
|--------------|---------|-----------|-------|----------|
| D. 176,100 | 11/1955 | Bonistall | | D7/396.6 |
| D. 192,227 | 2/1962 | Theisen | | D7/388 |
| D. 227,291 | 6/1973 | Kant | | D7/388 |
| D. 258,631 | 3/1981 | Lax | | D7/388 X |
| D. 265,790 | 8/1982 | Taylor | | D7/388 |
| D. 274,880 | 7/1984 | Bentson | | D7/409 |
| D. 339,266 | 9/1993 | Lockett | | D7/388 X |
| D. 397,584 * | 9/1998 | Vanello | | D7/602 |
| 3,347,404 | 10/1967 | McIntyre | | D7/704 X |

* cited by examiner

Primary Examiner—Mitchell Siegel

(57) **CLAIM**

The ornamental design for a bowl support, as shown and described.

DESCRIPTION

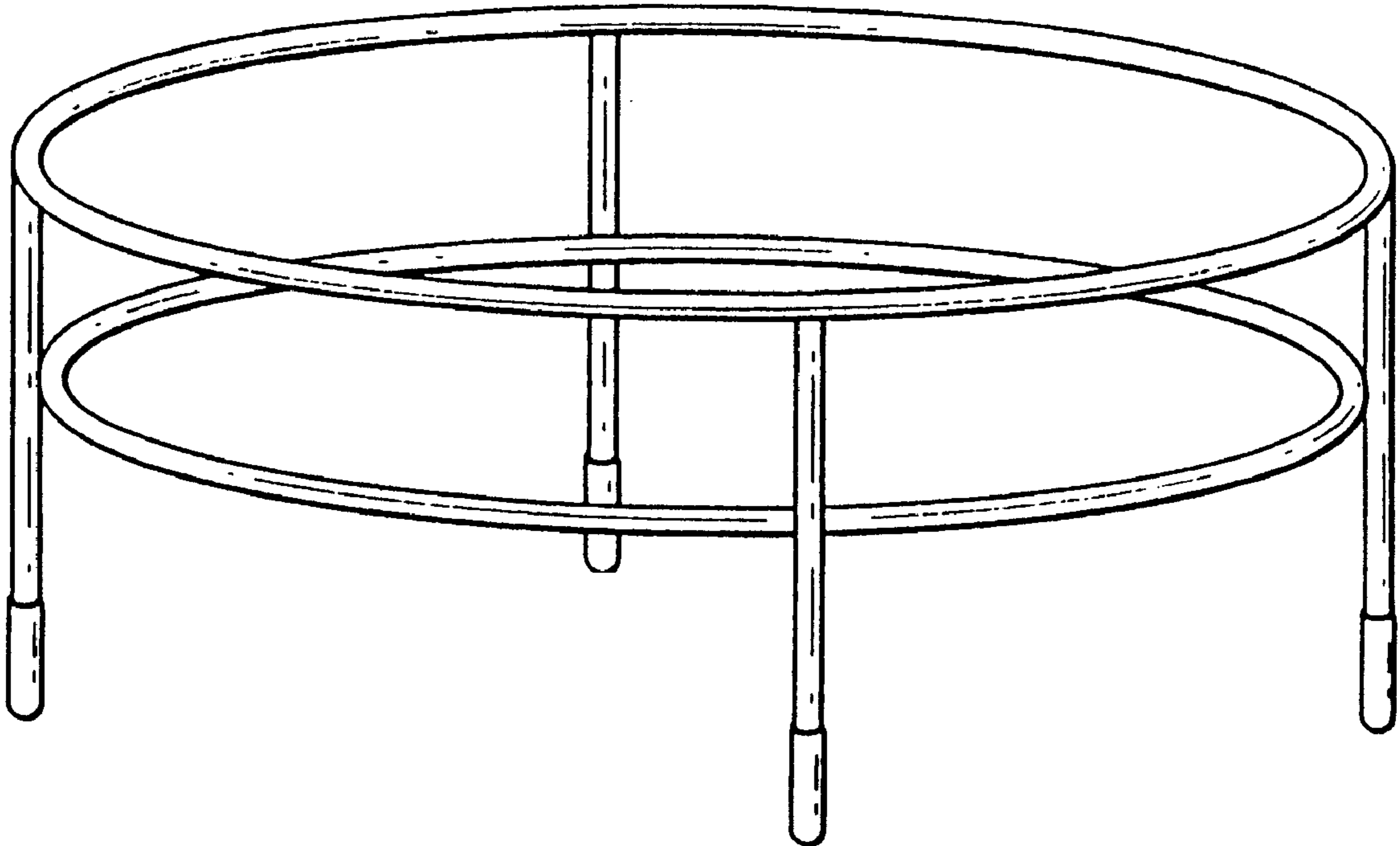
FIG. 1 is a front perspective view of a bowl support showing my new design;

FIG. 2 is a front perspective view of a bowl support showing a second embodiment of my new design;

FIG. 3 is a bottom plan view of the bowl support in FIG. 1; and,

FIG. 4 is a bottom plan view of the bowl support in FIG. 2.

1 Claim, 2 Drawing Sheets



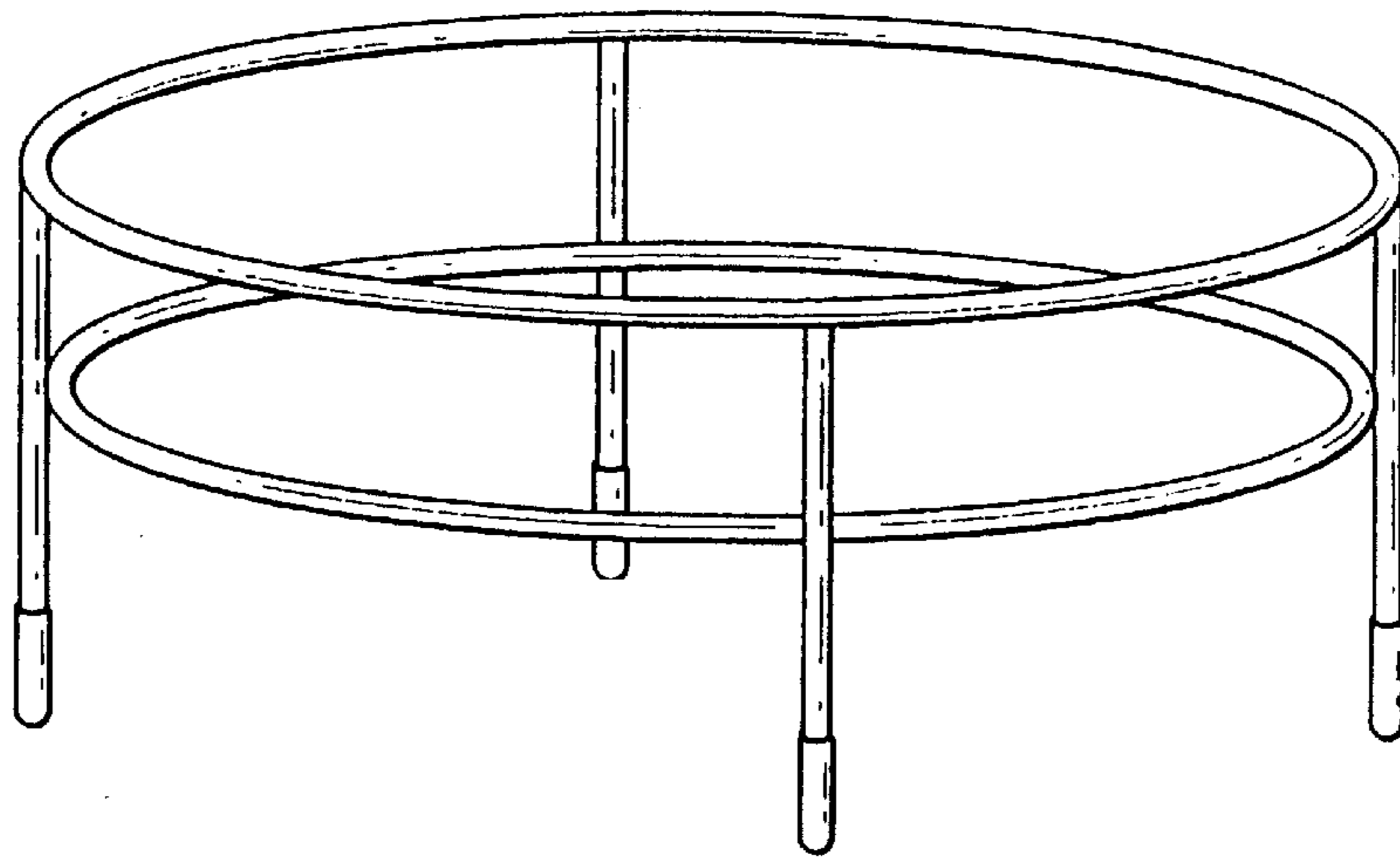


FIG. 1

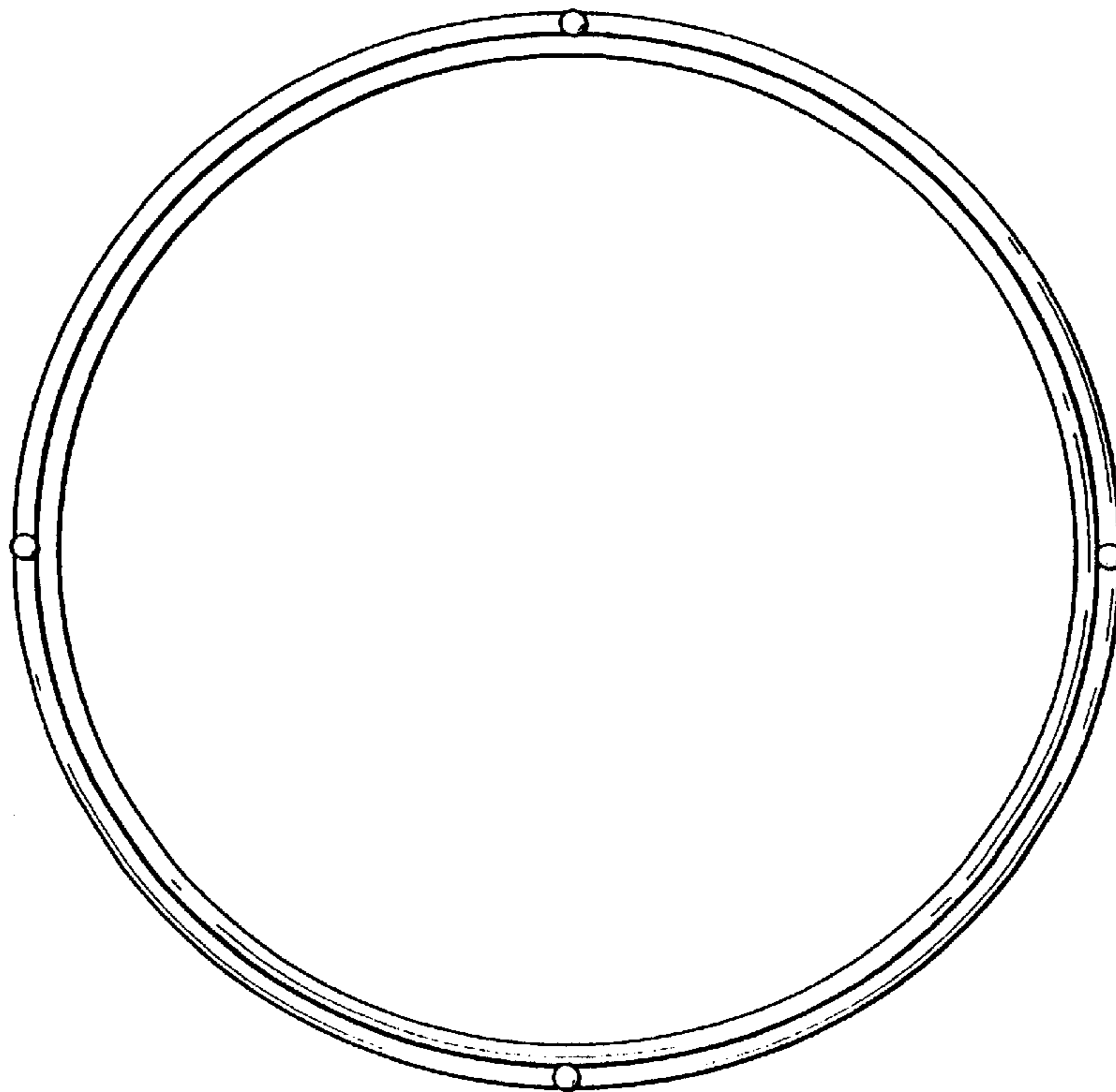


FIG. 3

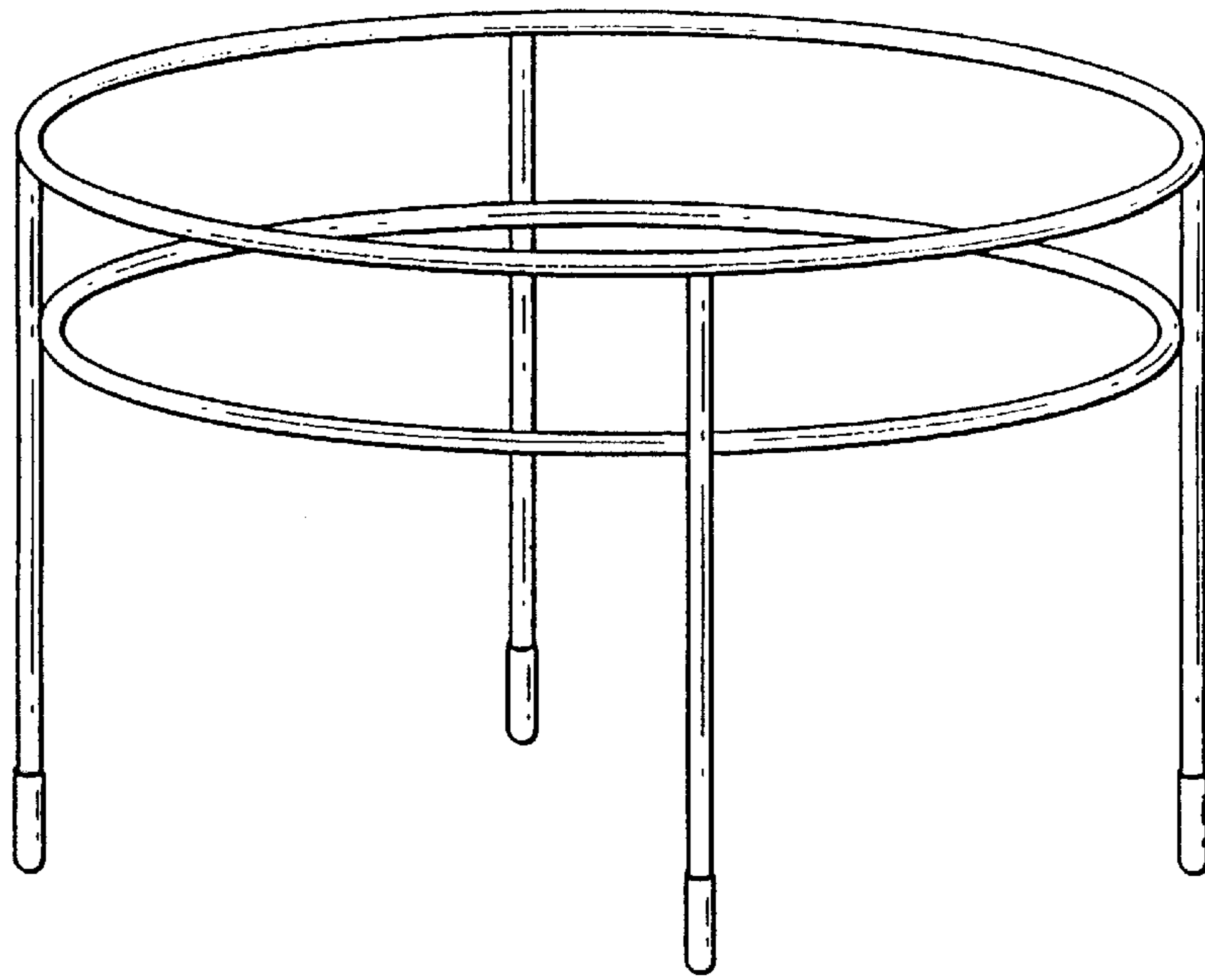


FIG. 2

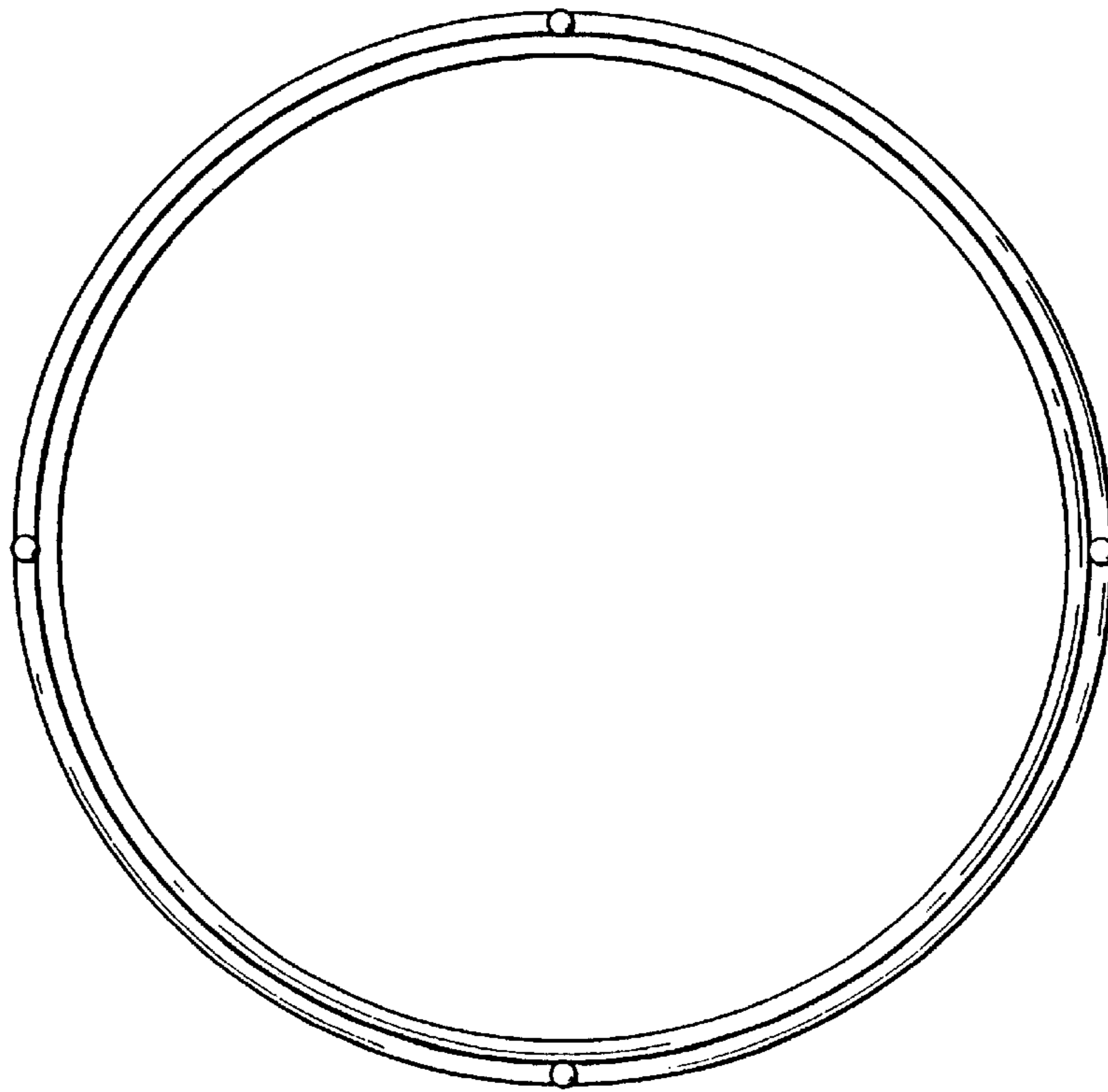


FIG. 4