



US00D446684B1

(12) **United States Design Patent**
Price

(10) **Patent No.:** **US D446,684 S**

(45) **Date of Patent:** **** Aug. 21, 2001**

- (54) **MUG**
- (75) **Inventor:** **Eric Justin Price**, Medford, MA (US)
- (73) **Assignee:** **Punch Products USA, Inc.**, Rahway, NJ (US)
- (**) **Term:** **14 Years**
- (21) **Appl. No.:** **29/117,842**
- (22) **Filed:** **Jan. 31, 2000**
- (51) **LOC (7) Cl.** **07-01**
- (52) **U.S. Cl.** **D7/509; D7/531**
- (58) **Field of Search** D7/509, 507, 523, D7/515, 536, 533, 531; D34/1; 220/669, 729, 908, 910, 911, 630, 756, 675; 215/382

- D. 392,842 * 3/1998 Parpaiola D7/509
- D. 406,985 * 3/1999 Trombly D7/536
- D. 423,877 * 5/2000 Kerr D7/509
- D. 424,877 * 5/2000 Cayouette D7/523
- D. 433,205 * 10/2000 Cayouette D34/1
- 1,134,354 * 4/1915 Seifke 215/382

* cited by examiner

Primary Examiner—M. N. Pandozzi

(74) *Attorney, Agent, or Firm*—Pennie & Edmonds LLP

(57) **CLAIM**

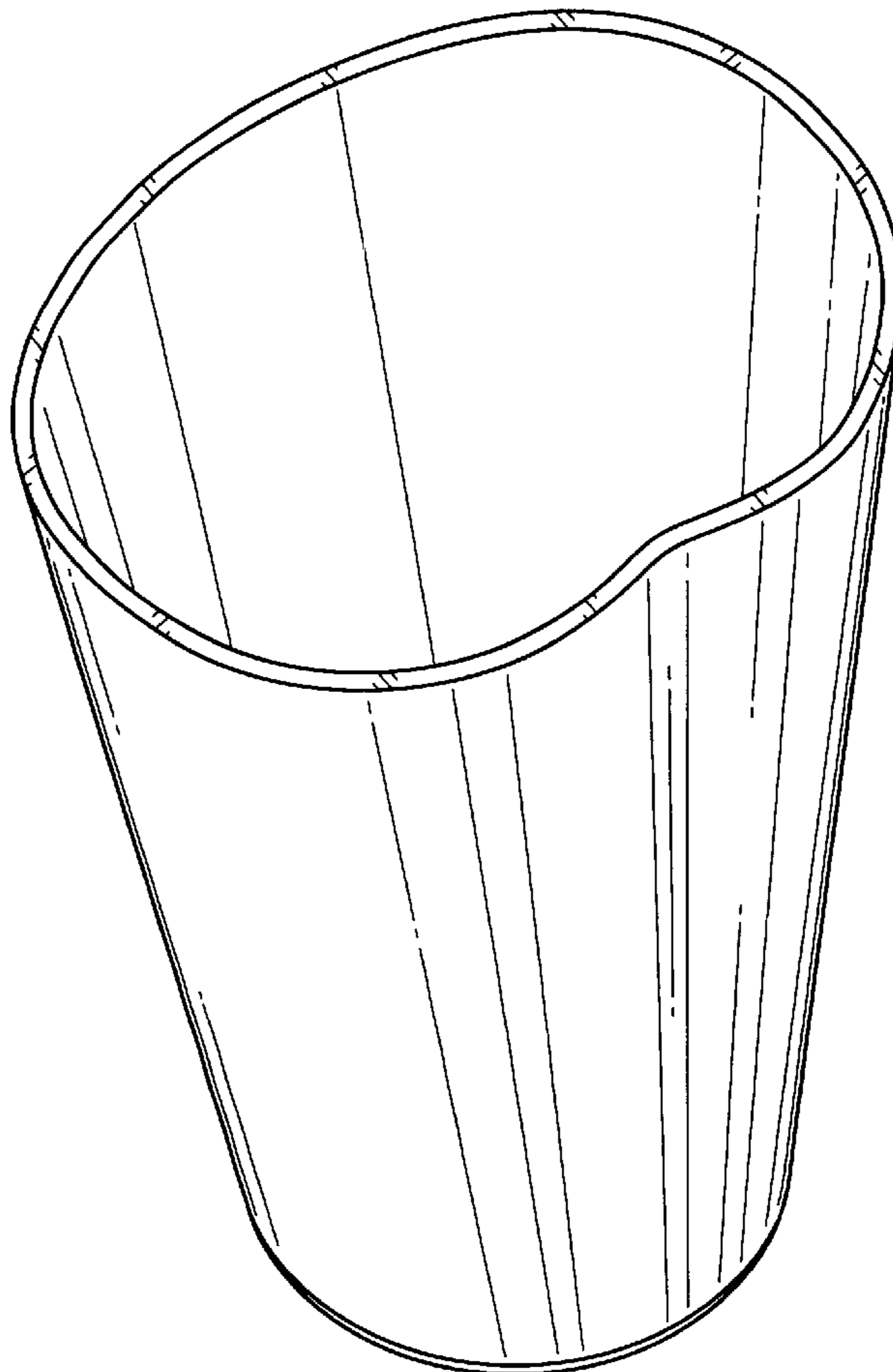
The ornamental design for a mug, as shown and described.

DESCRIPTION

FIG. 1 is a perspective view of a mug according to the present invention;
 FIG. 2 is a front view thereof;
 FIG. 3 is a rear view thereof;
 FIG. 4 is a right side view thereof, the left side view being a mirror image thereof;
 FIG. 5 is a top view thereof; and,
 FIG. 6 is a bottom view thereof.

- (56) **References Cited**
- U.S. PATENT DOCUMENTS**
- D. 31,819 * 11/1899 Shipman et al. D7/509 X
- D. 47,354 * 5/1915 Anderson D7/523
- D. 223,703 * 5/1972 Cheladze D7/523
- D. 371,937 * 7/1996 Peugeot et al. D7/536
- D. 389,700 * 1/1998 Bingham D7/509

1 Claim, 6 Drawing Sheets



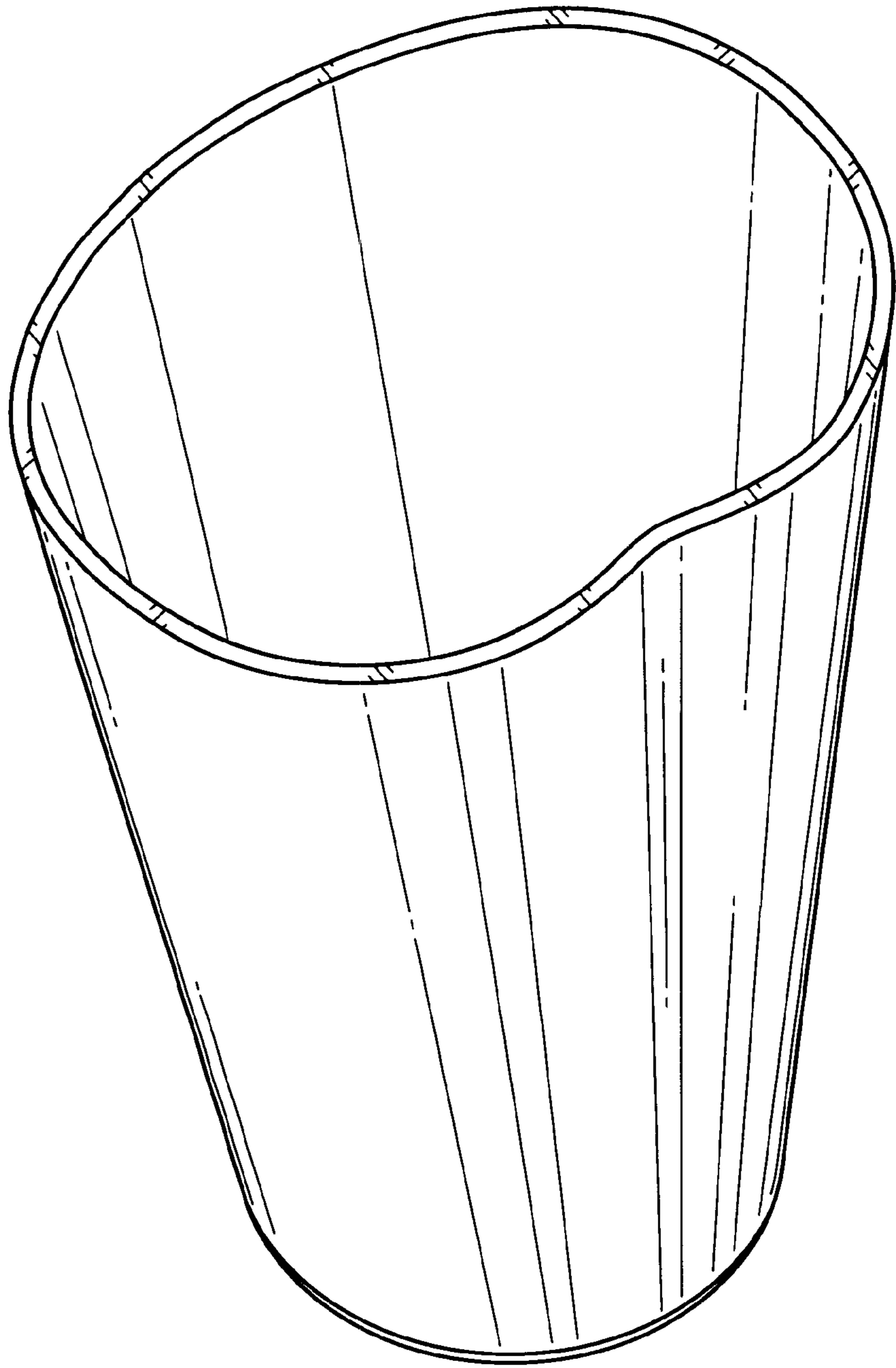


FIG. 1

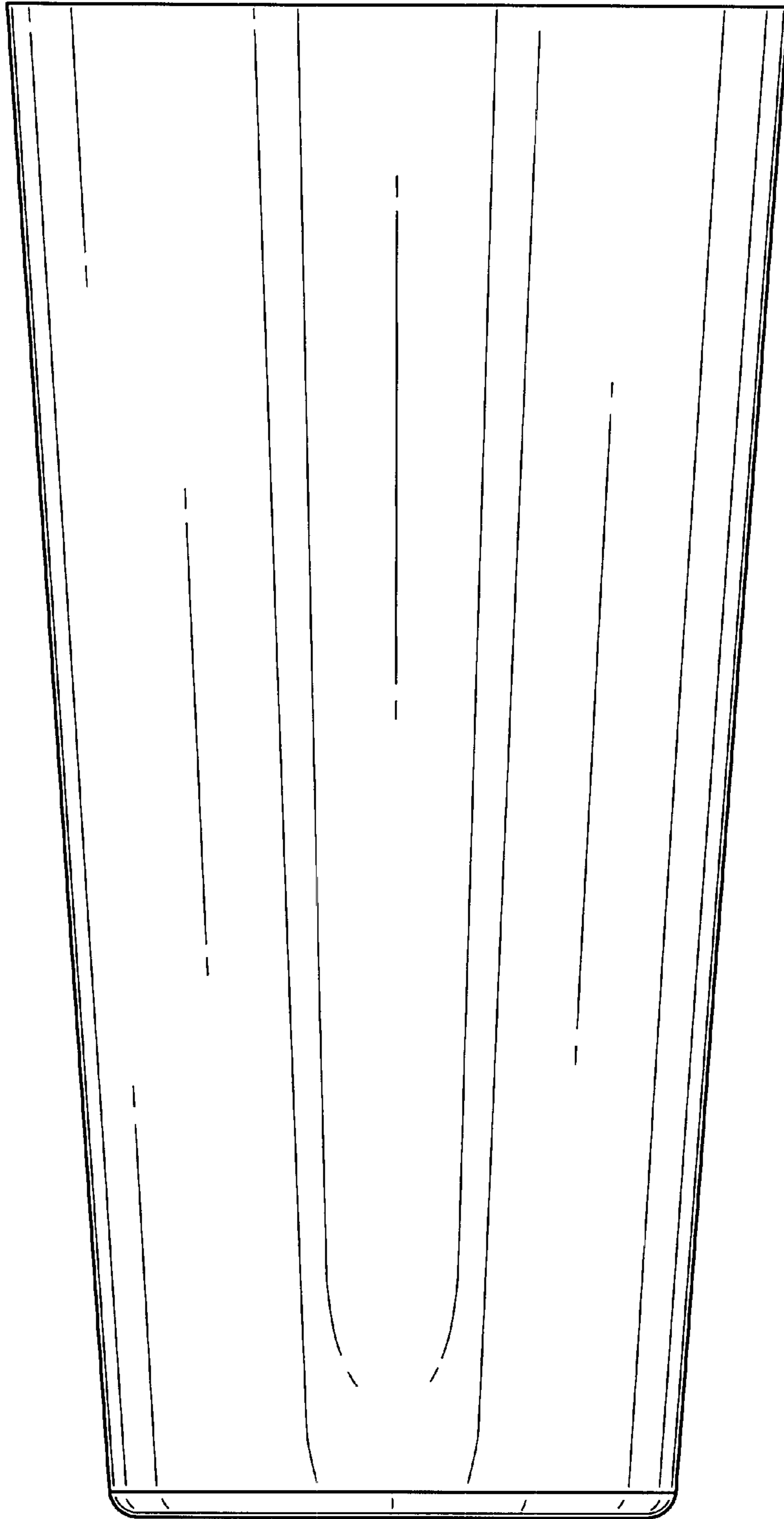


FIG. 2

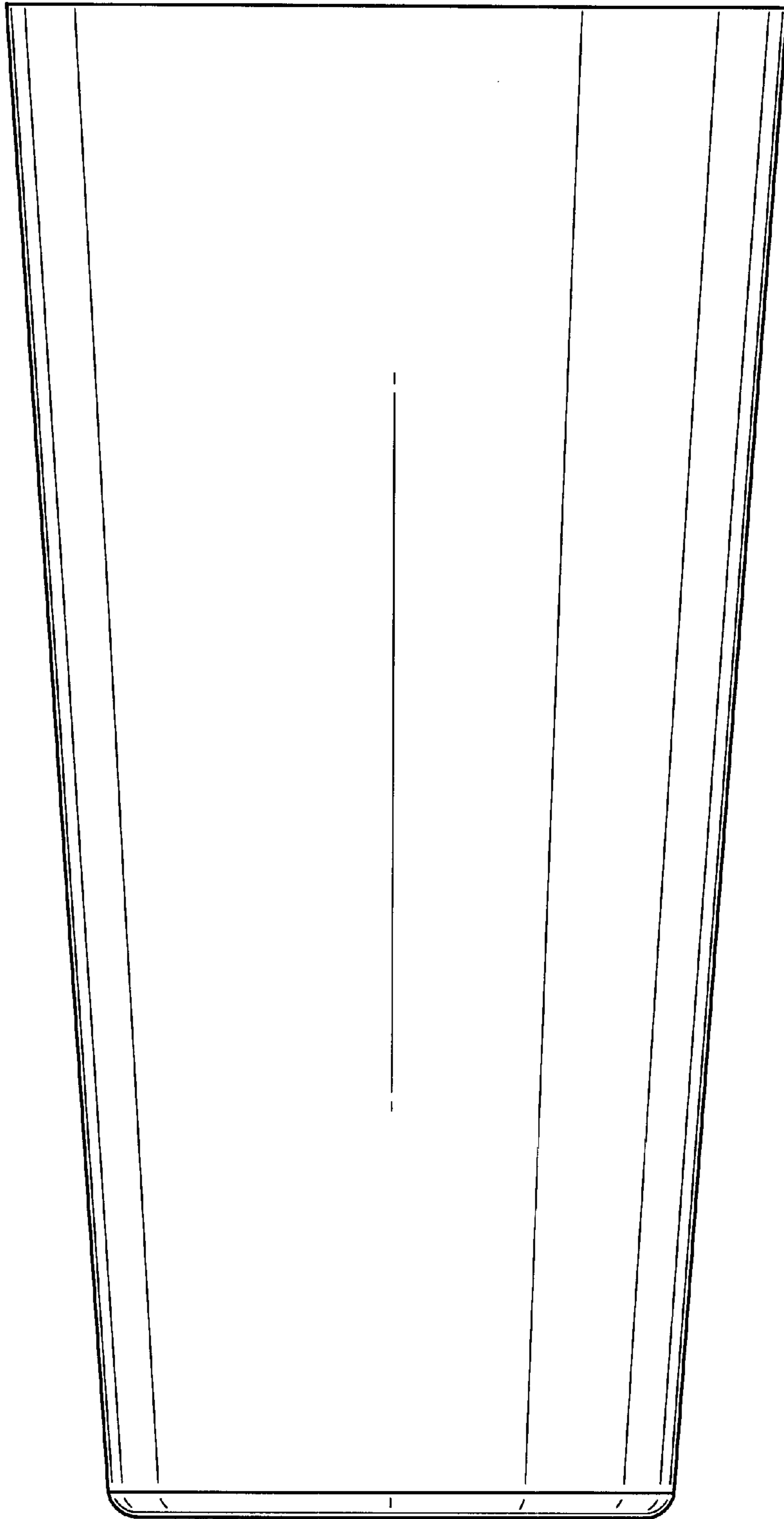


FIG. 3

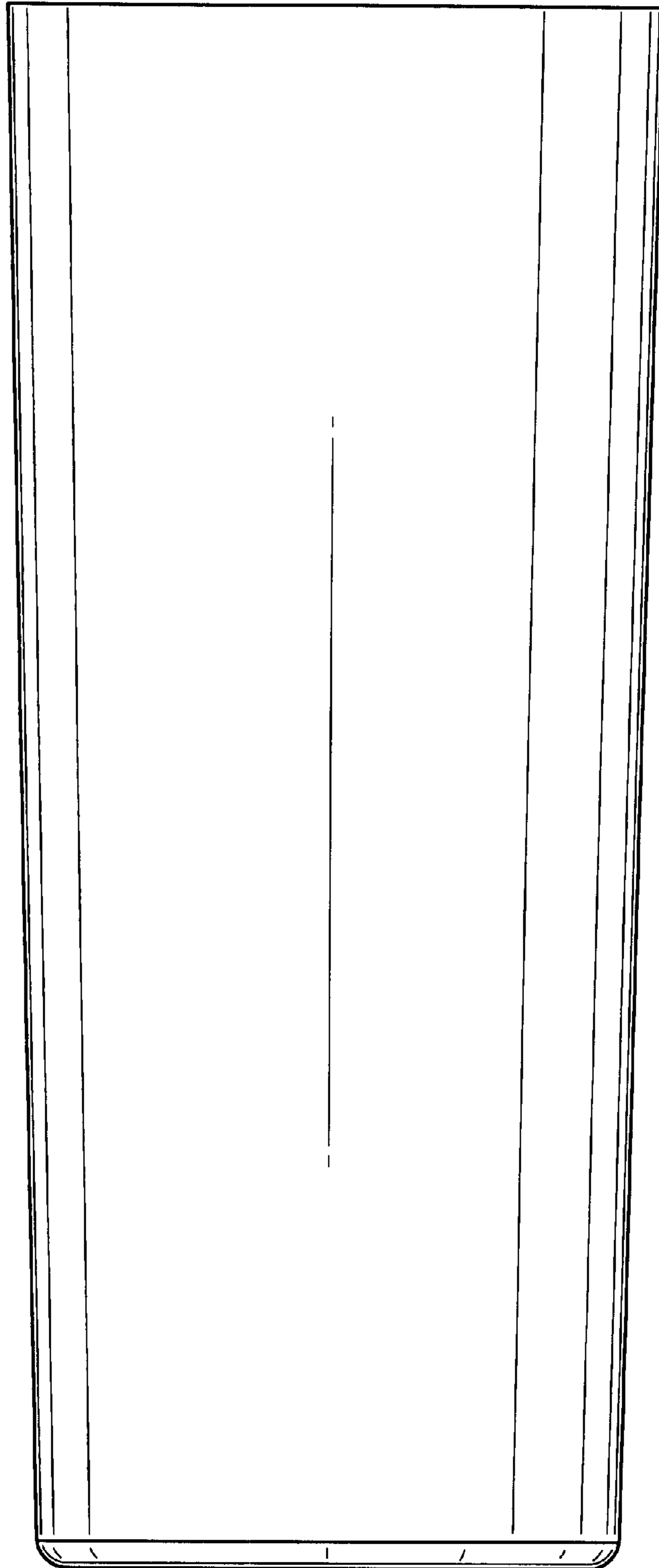


FIG. 4

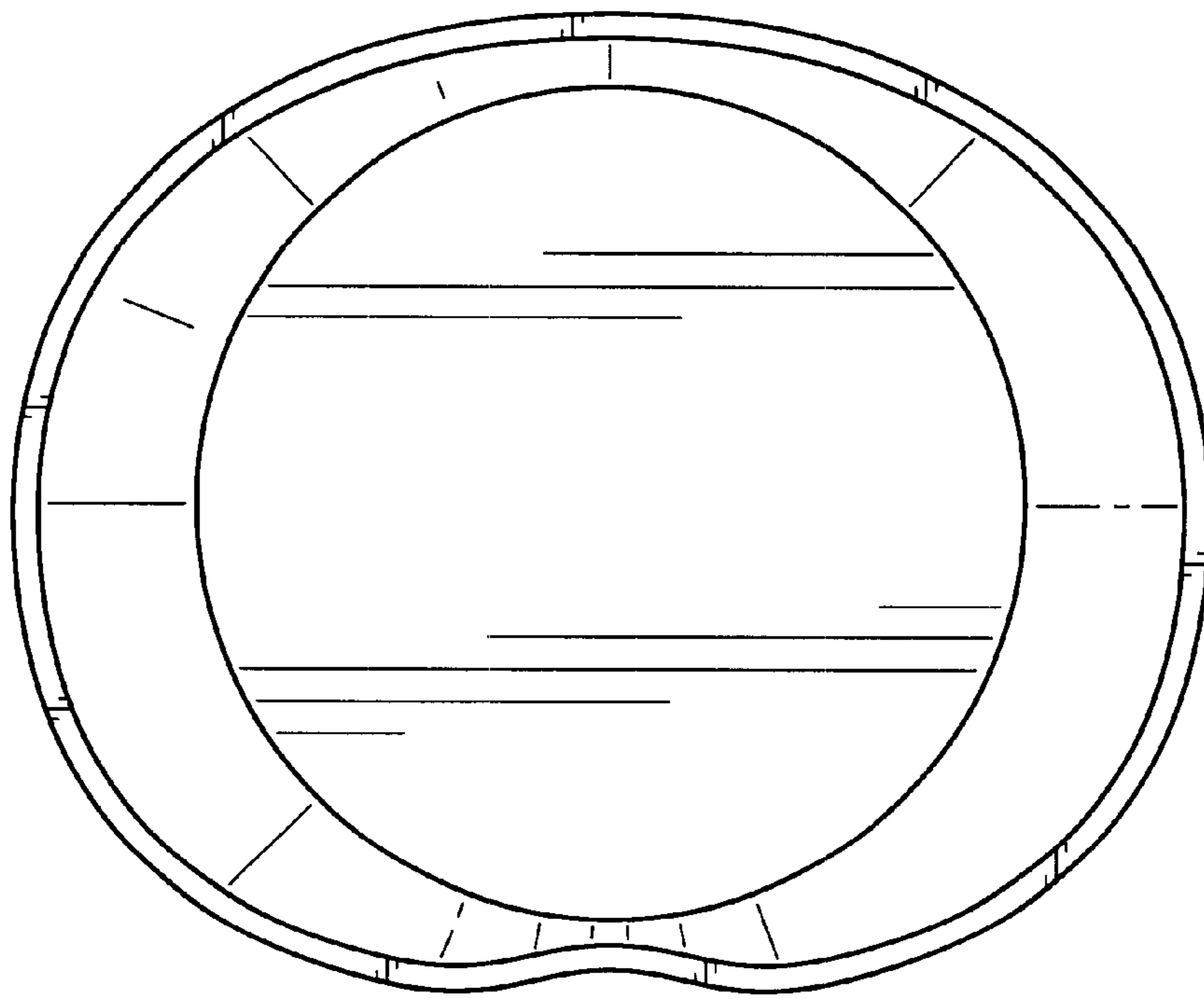


FIG. 5

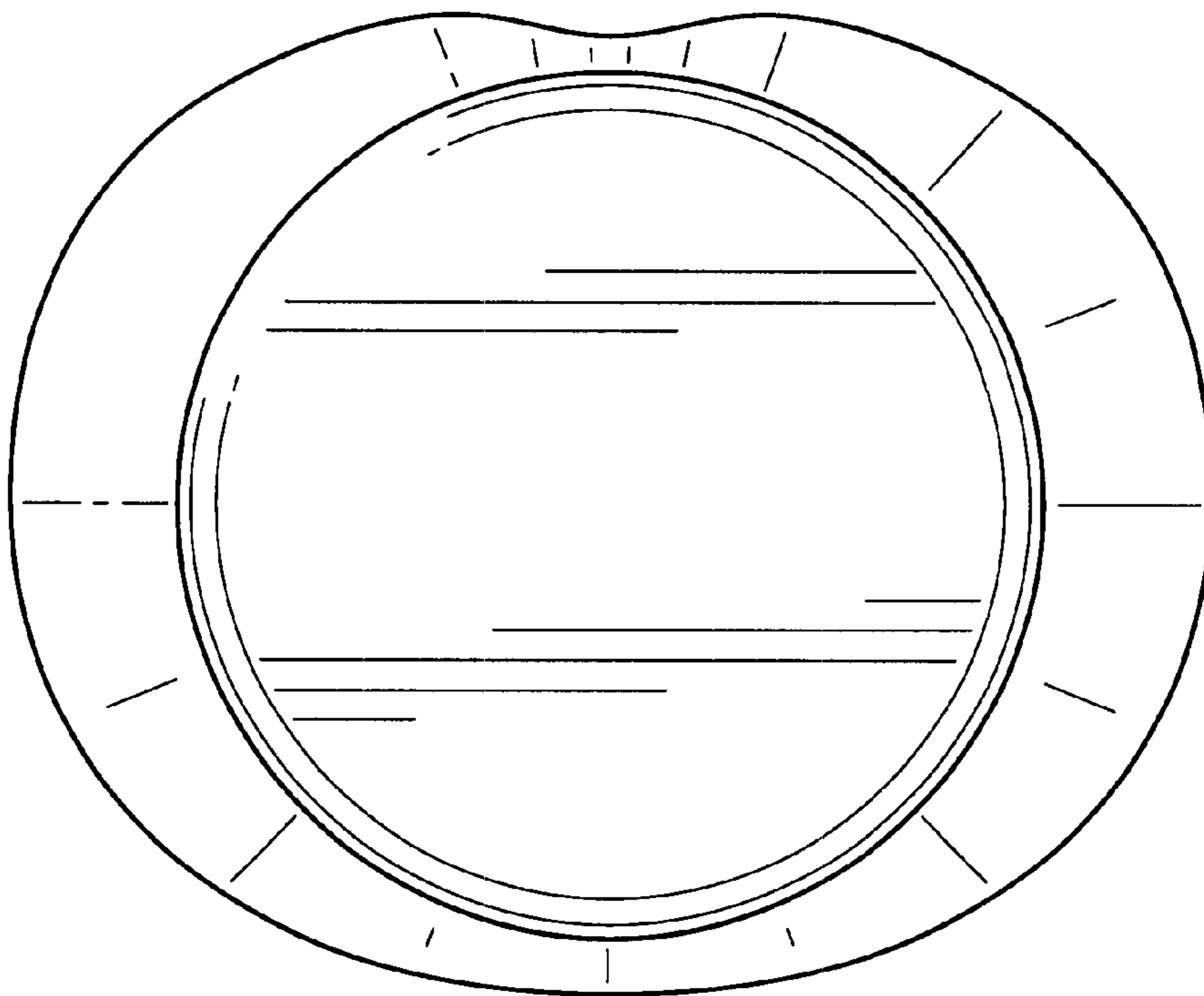


FIG. 6