



US00D446683B1

(12) **United States Design Patent**
Pai

(10) **Patent No.:** **US D446,683 S**

(45) **Date of Patent:** **** Aug. 21, 2001**

(54) **GREASE PLATE FOR A GRILL**

5,974,954 * 11/1999 Rigney et al. 99/396

(76) Inventor: **Lucas Pai**, No. 124, Ying-Hua Rd.,
Hsitun Dist., Taichung (TW)

* cited by examiner

(**) Term: **14 Years**

Primary Examiner—Caron D. Veynar

(74) *Attorney, Agent, or Firm*—Bacon & Thomas, PLLC

(21) Appl. No.: **29/124,573**

(57) **CLAIM**

(22) Filed: **Jun. 7, 2000**

The ornamental design for a grease plate for a grill, as shown and described.

(51) **LOC (7) Cl.** **07-02**

DESCRIPTION

(52) **U.S. Cl.** **D7/402; D7/409**

(58) **Field of Search** D7/359, 402, 407-409;
99/396, 422, 425, 444-446, 447; 126/1 R,
9 A, 9 B, 41 R, 39 N, 39 K

FIG. 1 is a perspective view of a grease plate for a grill showing my new design;

FIG. 2 is a front elevational view thereof;

FIG. 3 is a rear elevational view thereof;

FIG. 4 is a left side view thereof;

FIG. 5 is a right side view thereof;

FIG. 6 is a top plain view thereof;

FIG. 7 is a bottom plain view thereof; and,

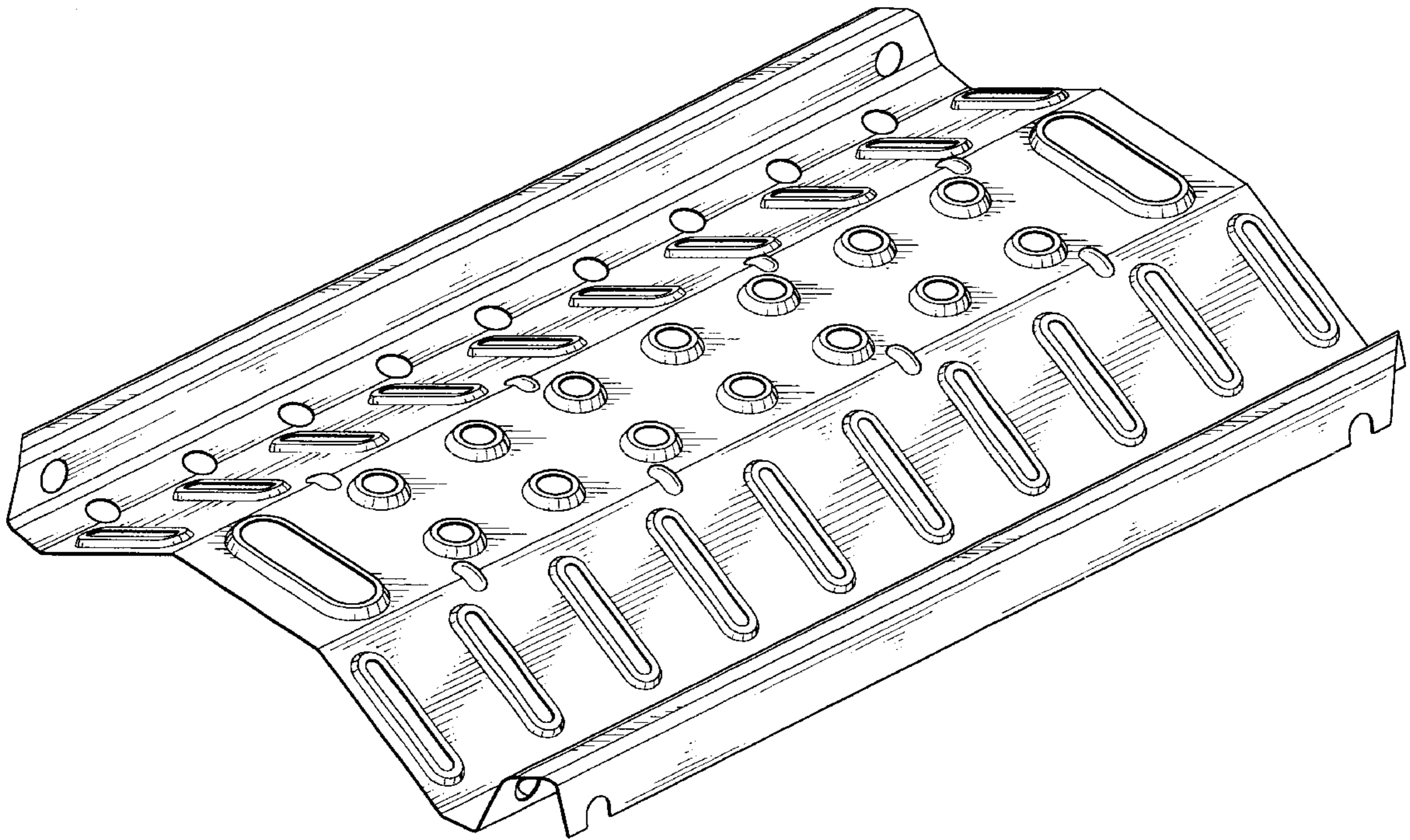
FIG. 8 is a view showing the application thereof, wherein the broken line portion is for illustrative purpose only and forms no part of the claimed design.

(56) **References Cited**

U.S. PATENT DOCUMENTS

D. 390,062	*	2/1998	Bohannon	D7/359
D. 404,968	*	2/1999	Lin	D7/409
4,683,867	*	8/1987	Beatty	126/41 R
5,277,106	*	1/1994	Raymer et al.	99/447
5,368,009	*	11/1994	Jones	126/41 R
5,911,812	*	6/1999	Stanek et al.	99/446

1 Claim, 6 Drawing Sheets



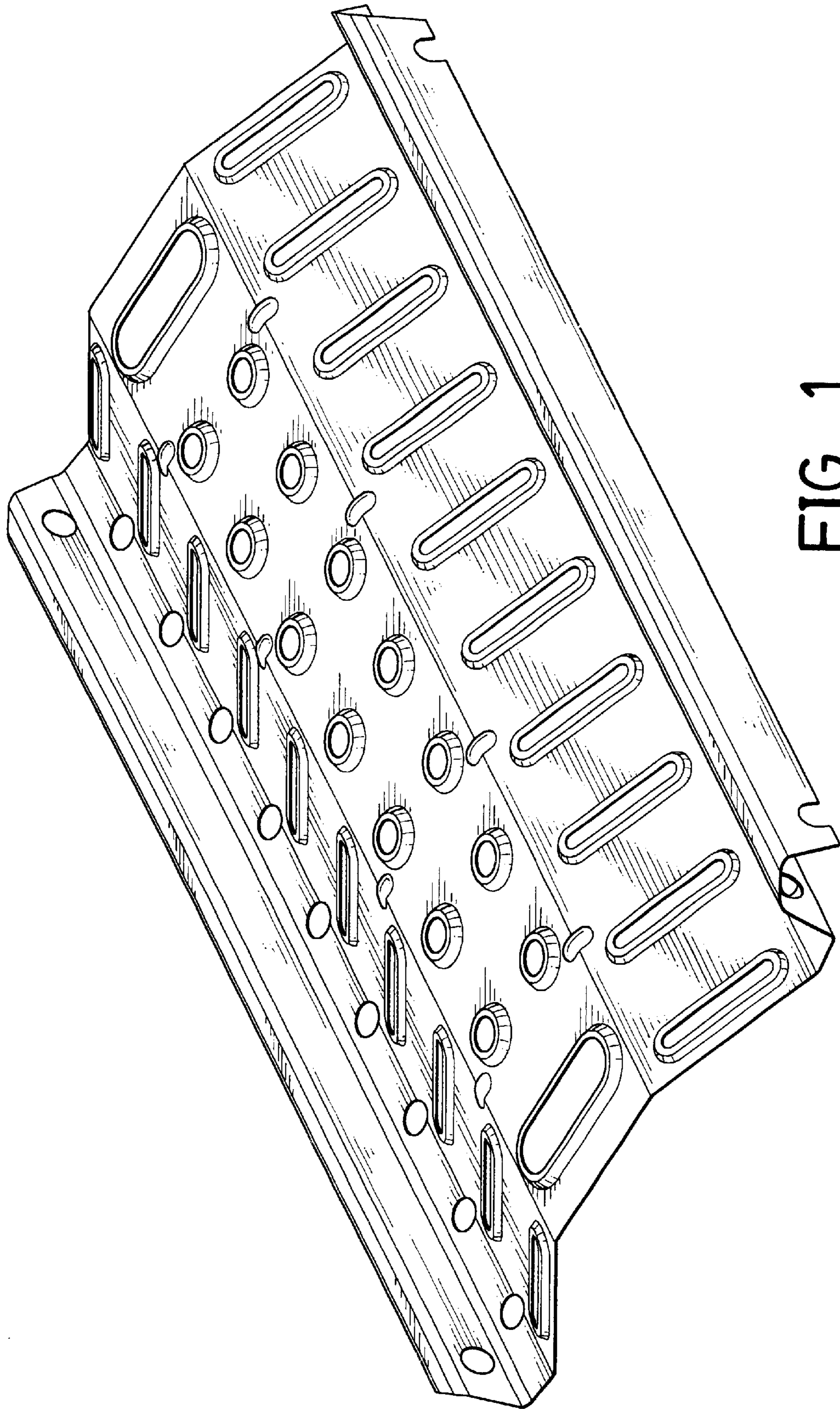


FIG. 1

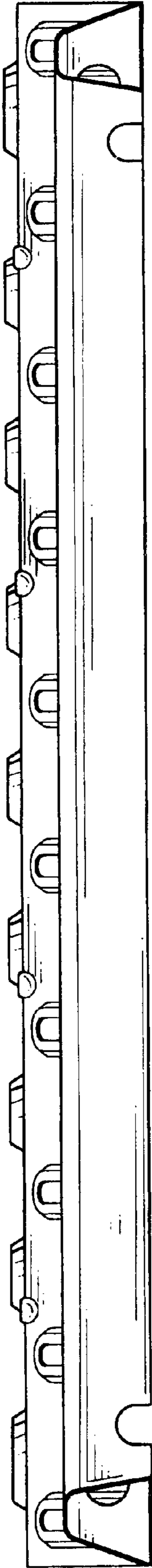


FIG. 2

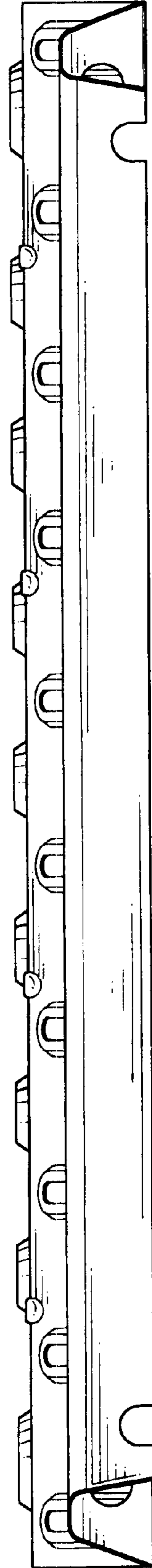


FIG. 3

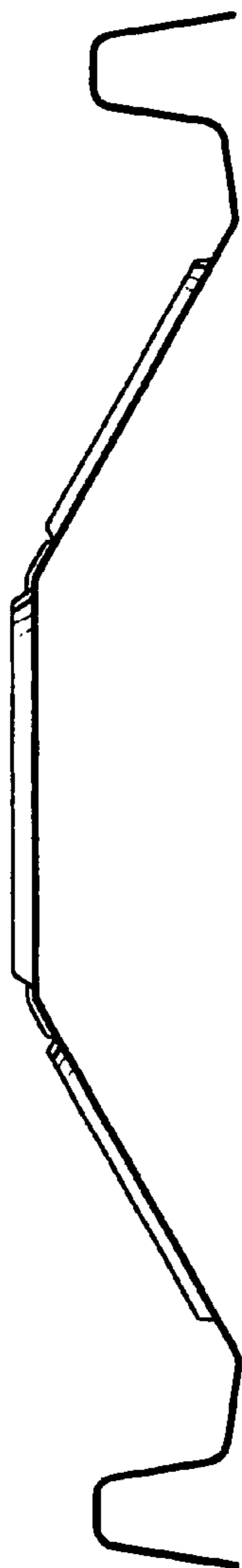


FIG. 4

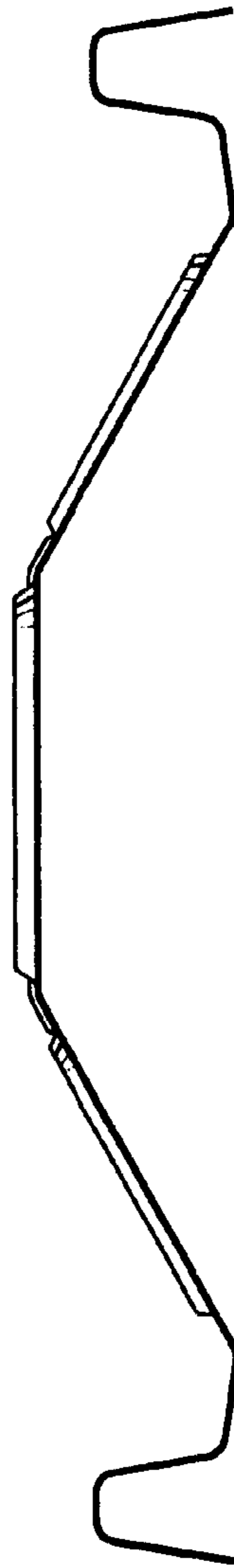


FIG. 5

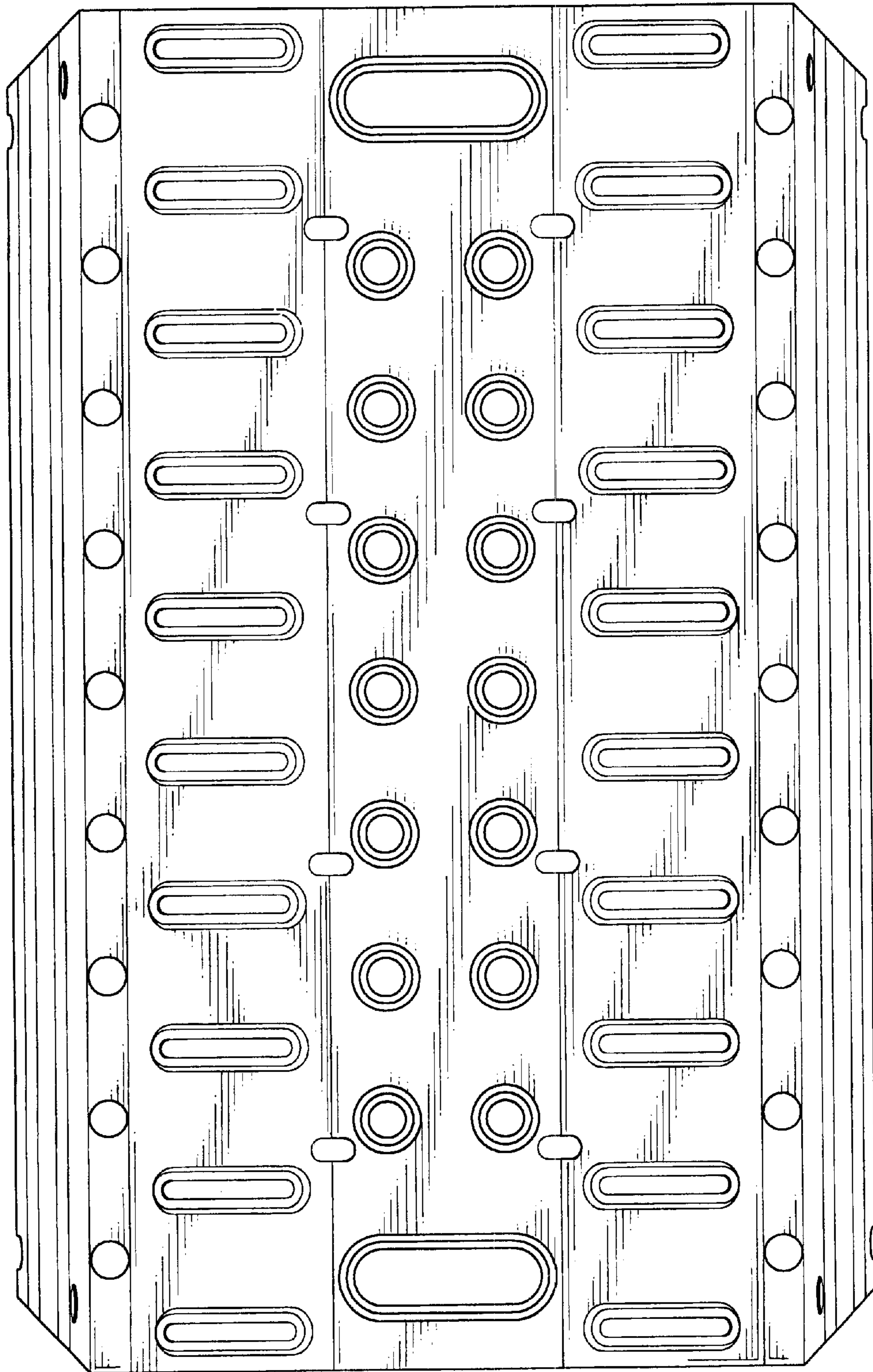


FIG. 6

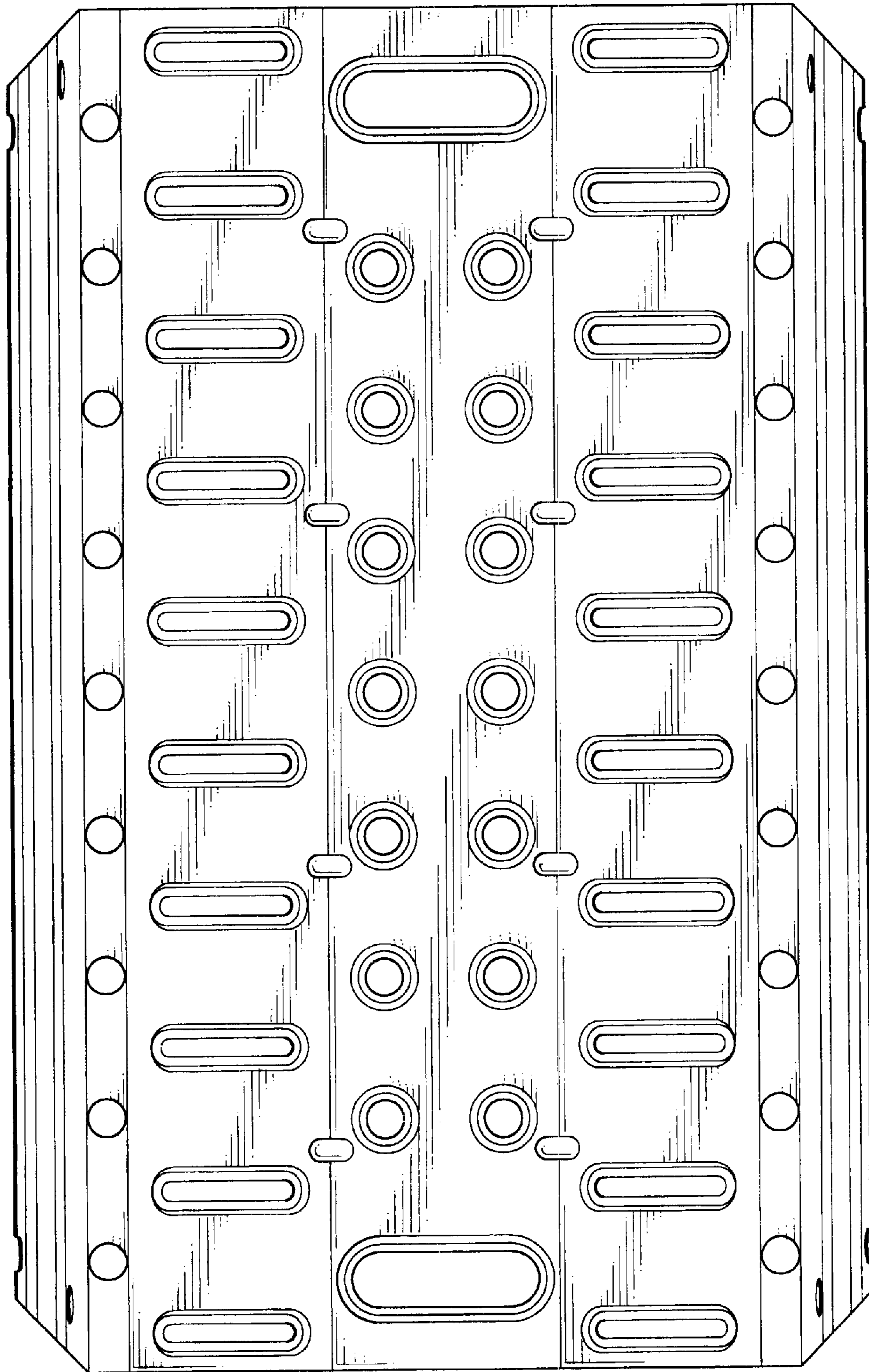


FIG. 7

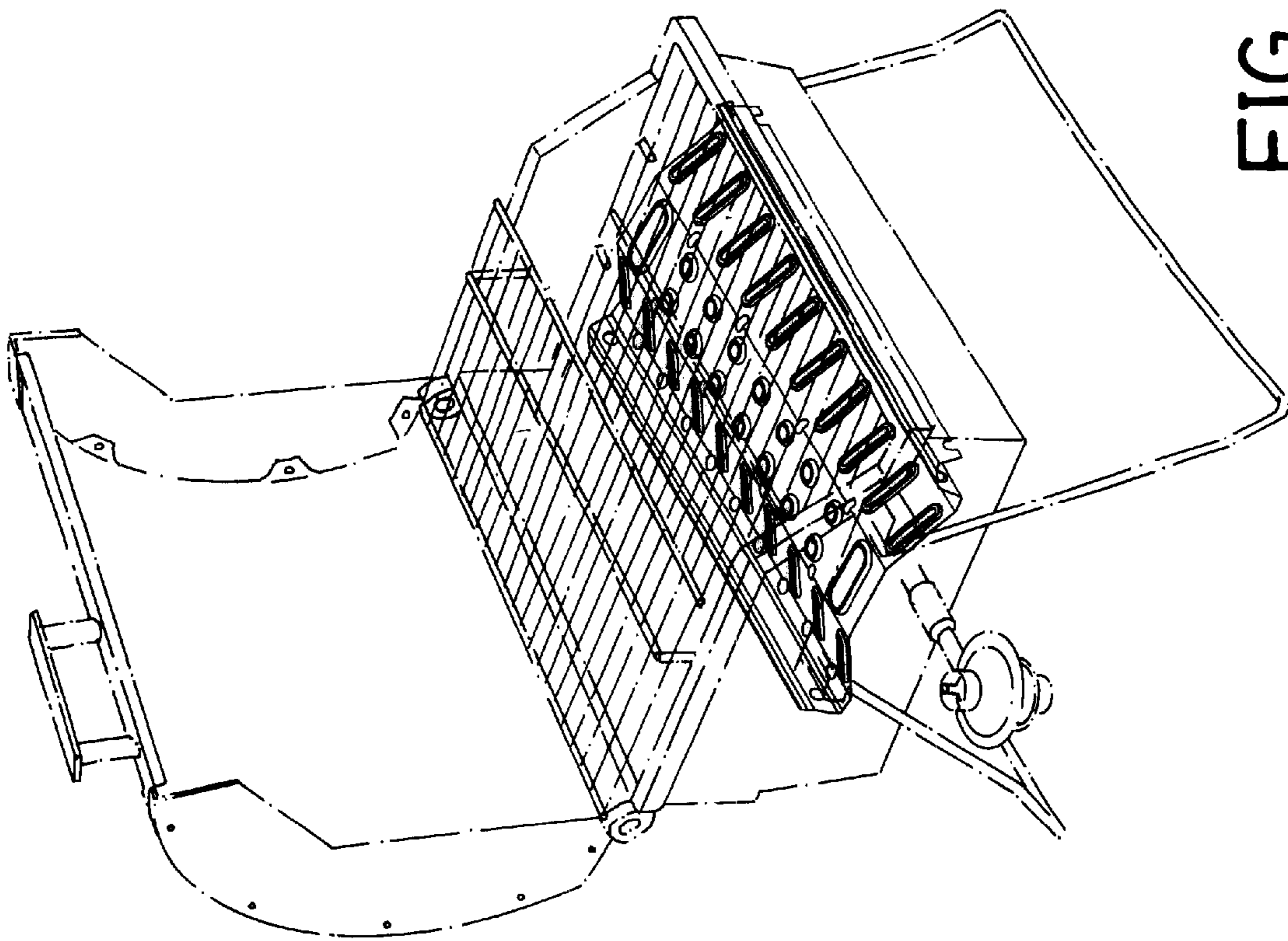


FIG. 8