



US00D446681B1

(12) **United States Design Patent**  
**Weibel**

(10) **Patent No.:** **US D446,681 S**

(45) **Date of Patent:** **\*\* Aug. 21, 2001**

(54) **BEATER**

(75) Inventor: **Hans Weibel**, Schüpfen (CH)

(73) Assignee: **Zyliss Haushaltswaren AG**, Lyss (CH)

(\*\*) Term: **14 Years**

(21) Appl. No.: **29/129,481**

(22) Filed: **Sep. 14, 2000**

(30) **Foreign Application Priority Data**

Mar. 17, 2000 (CH) ..... 126803

(51) **LOC (7) Cl.** ..... **31-00**

(52) **U.S. Cl.** ..... **D7/376**

(58) **Field of Search** ..... D7/376-386, 317-319;  
366/64, 65, 66, 241, 279, 341, 247

(56) **References Cited**

**U.S. PATENT DOCUMENTS**

- D. 167,259 \* 7/1952 Fox ..... D7/376
- D. 181,143 \* 10/1957 Gundelfinger ..... D7/376
- D. 321,301 \* 11/1991 Purkapile ..... D7/376
- D. 365,246 \* 12/1995 Staffin et al. .... D7/376
- D. 426,742 \* 6/2000 Gartz et al. .... D7/376

\* cited by examiner

*Primary Examiner*—Caron D. Veynar

(74) *Attorney, Agent, or Firm*—Sidley Austin Brown & Wood, LLP

(57) **CLAIM**

The ornamental design for a beater, as shown and described.

**DESCRIPTION**

FIG. 1 shows a front perspective angular view of a beater according to my new design;

FIG. 2 shows a front view of a beater according to my new design;

FIG. 3 shows a rear view of a beater according to my new design;

FIG. 4 shows a leftside view of a beater according to my new design;

FIG. 5 shows a rightside view of a beater according to my new design;

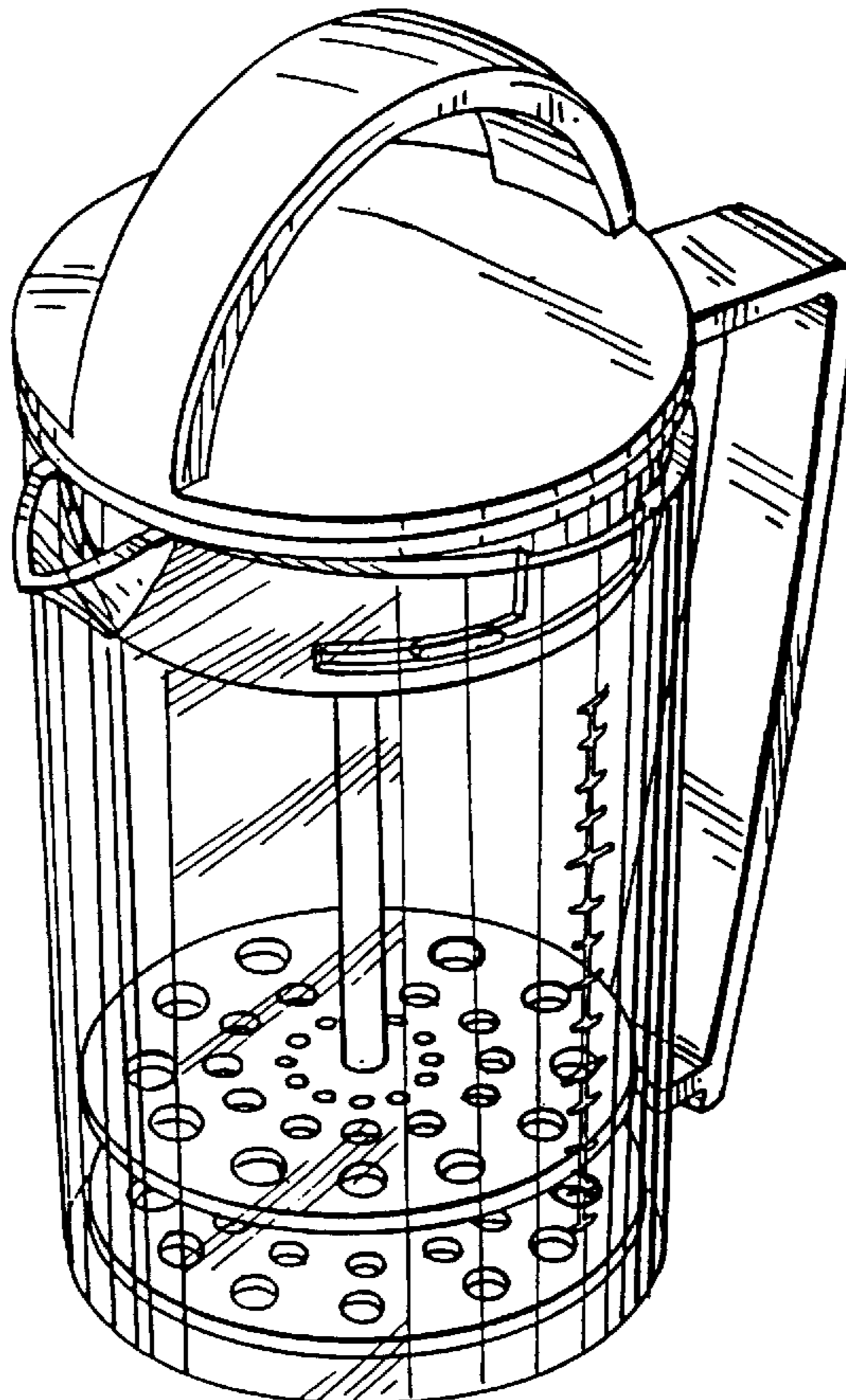
FIG. 6 shows a top view of a beater according to my new design;

FIG. 7 shows a bottom view of a beater according to my new design;

FIG. 8 shows a rear angular perspective view of a beater according to my new design; and,

FIG. 9 shows an exploded perspective view of a beater according to my new design.

**1 Claim, 4 Drawing Sheets**



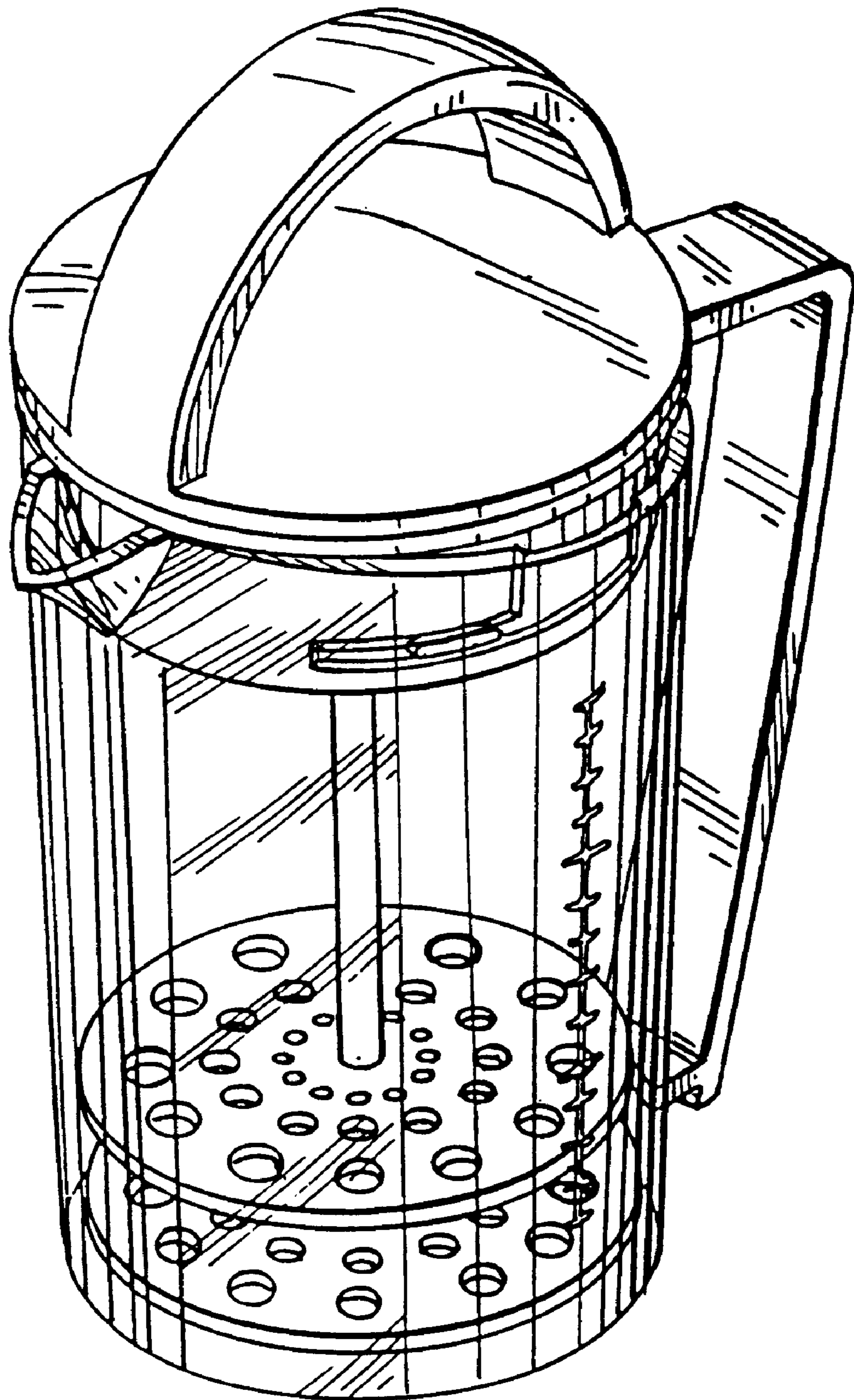


FIG. 1

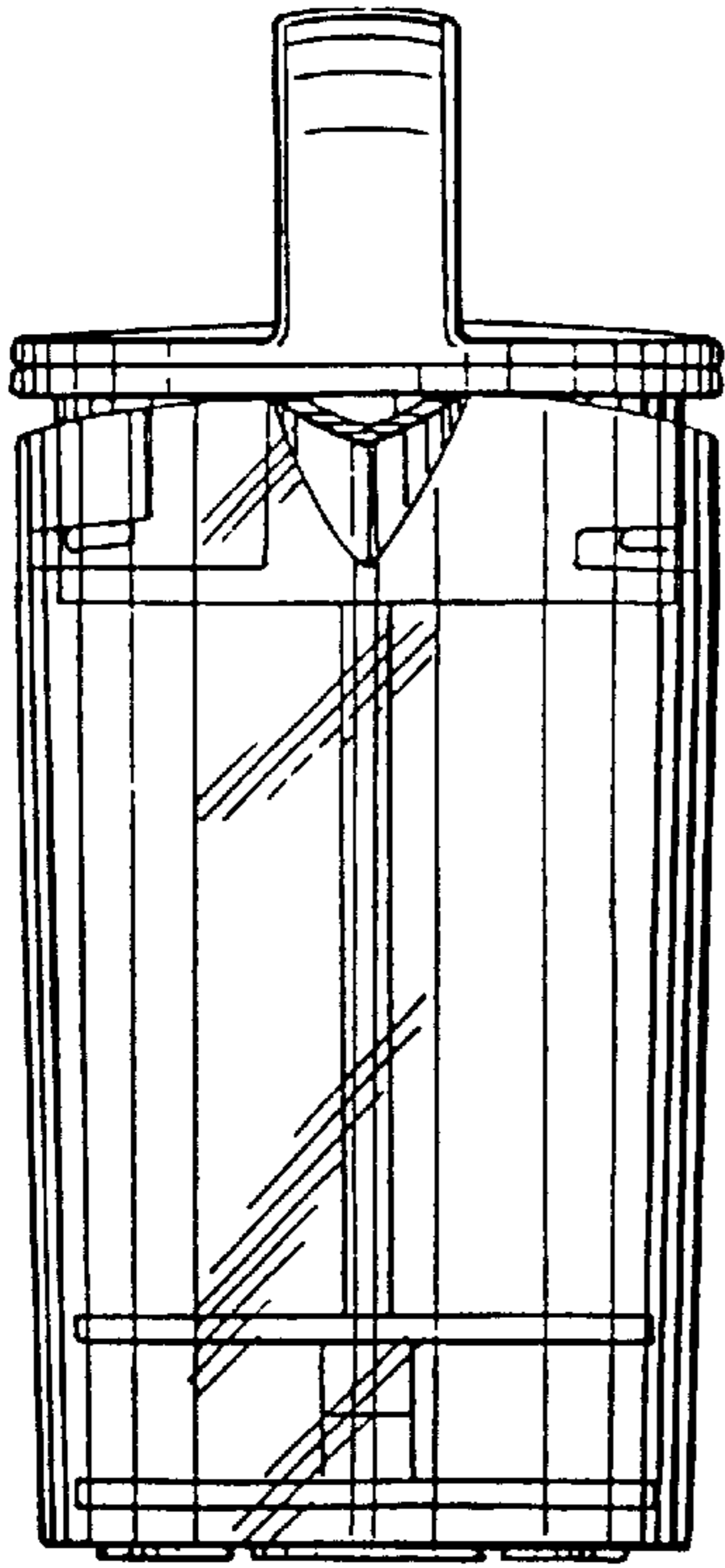


FIG. 2

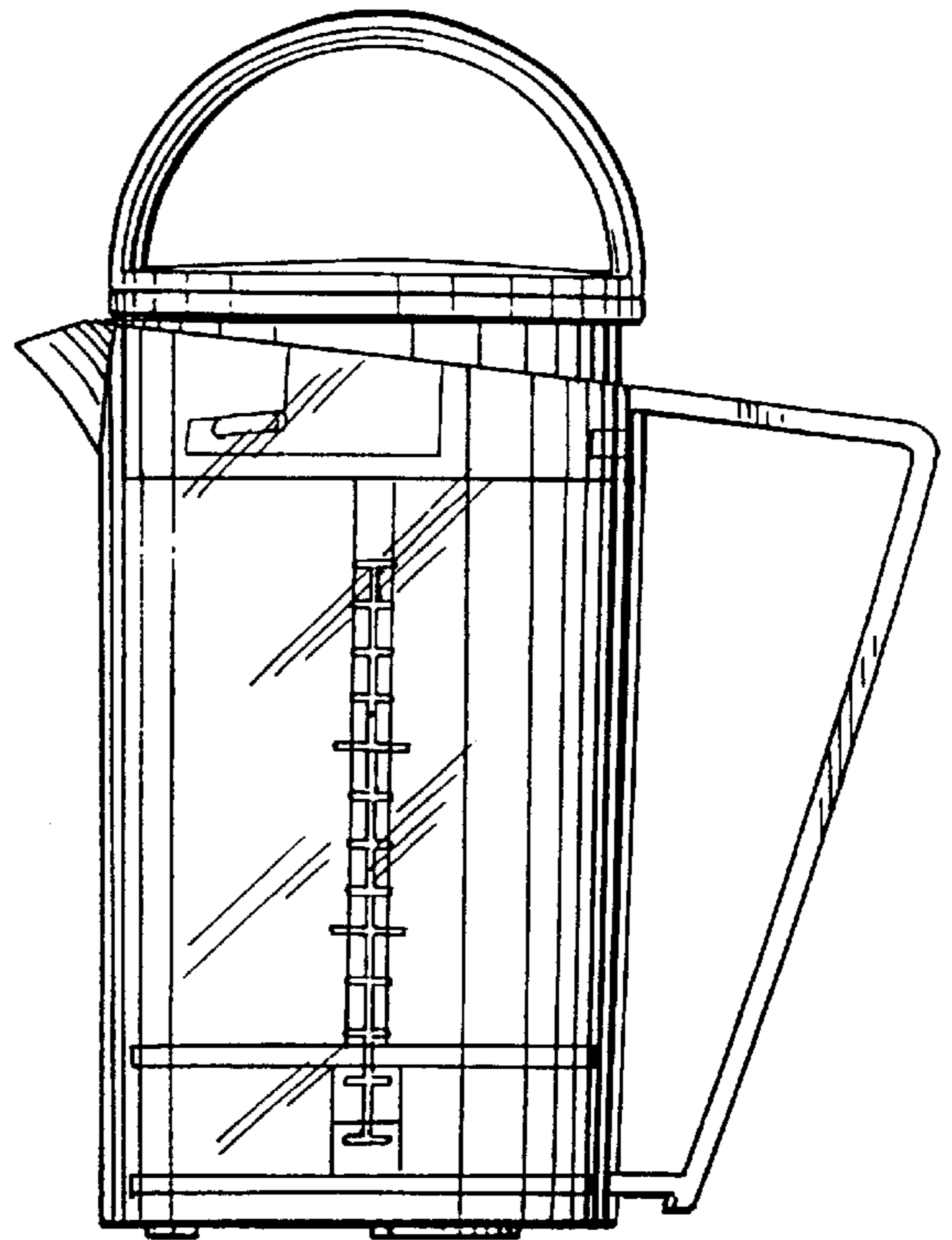


FIG. 4

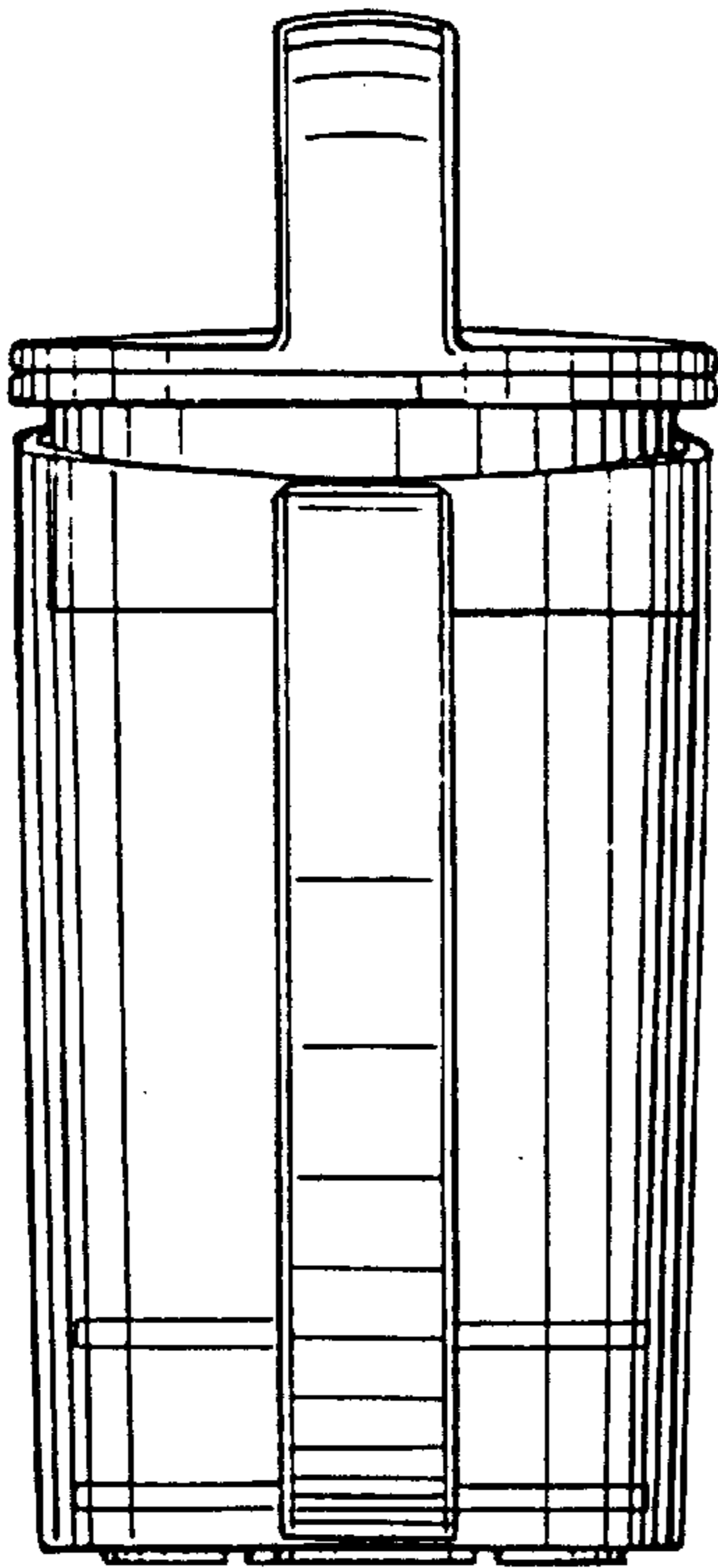


FIG. 3

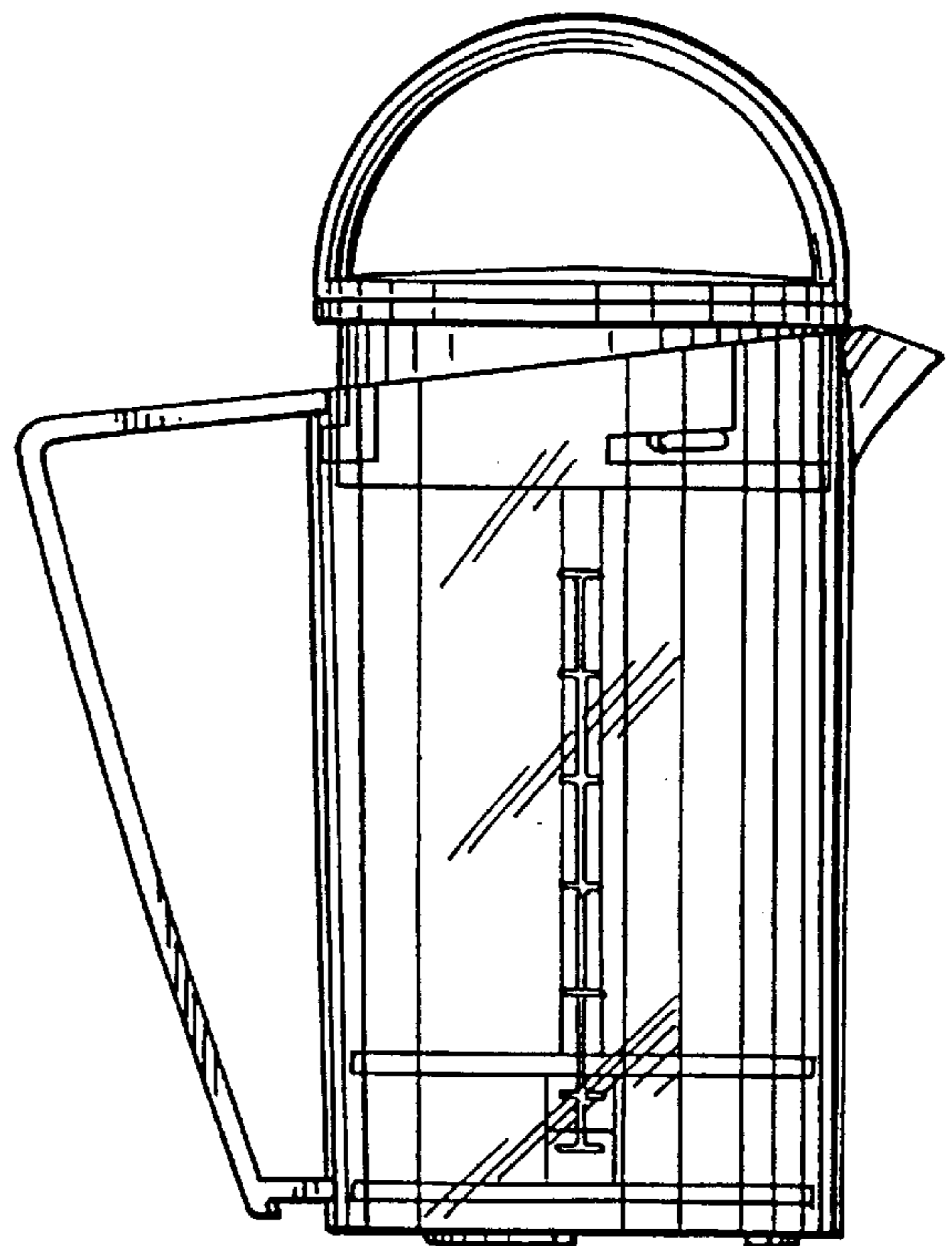


FIG. 5

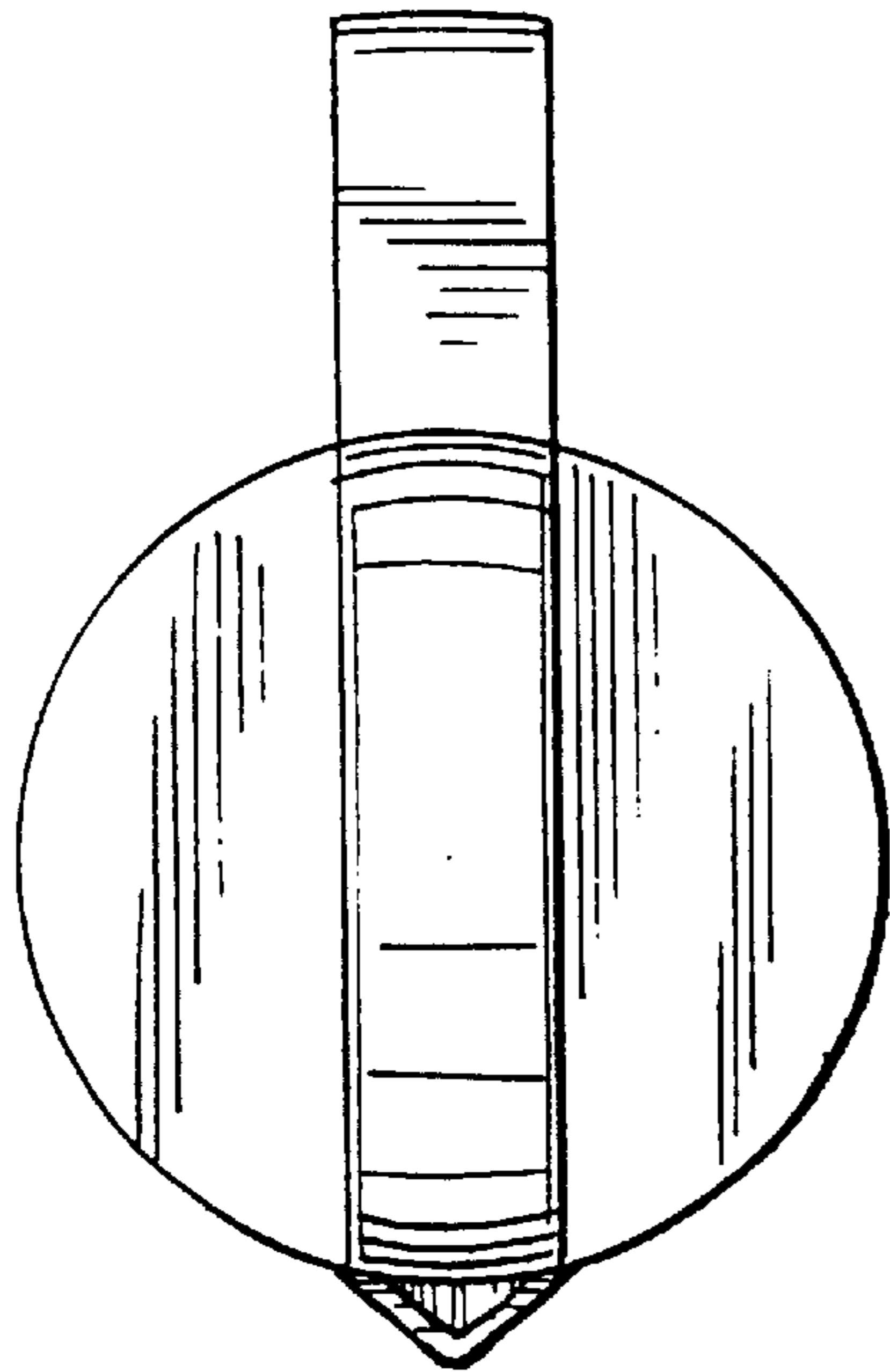


FIG. 6

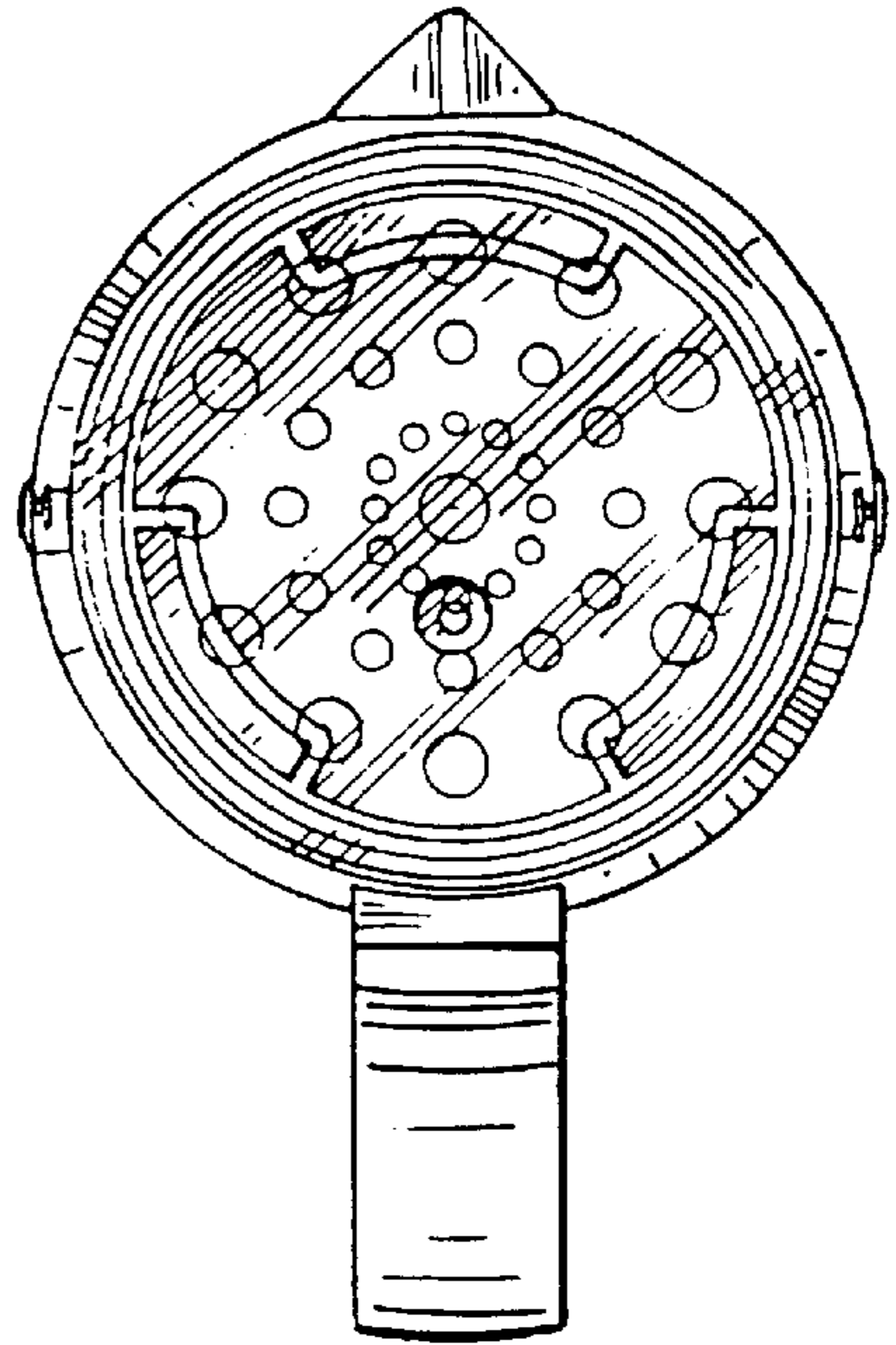


FIG. 7

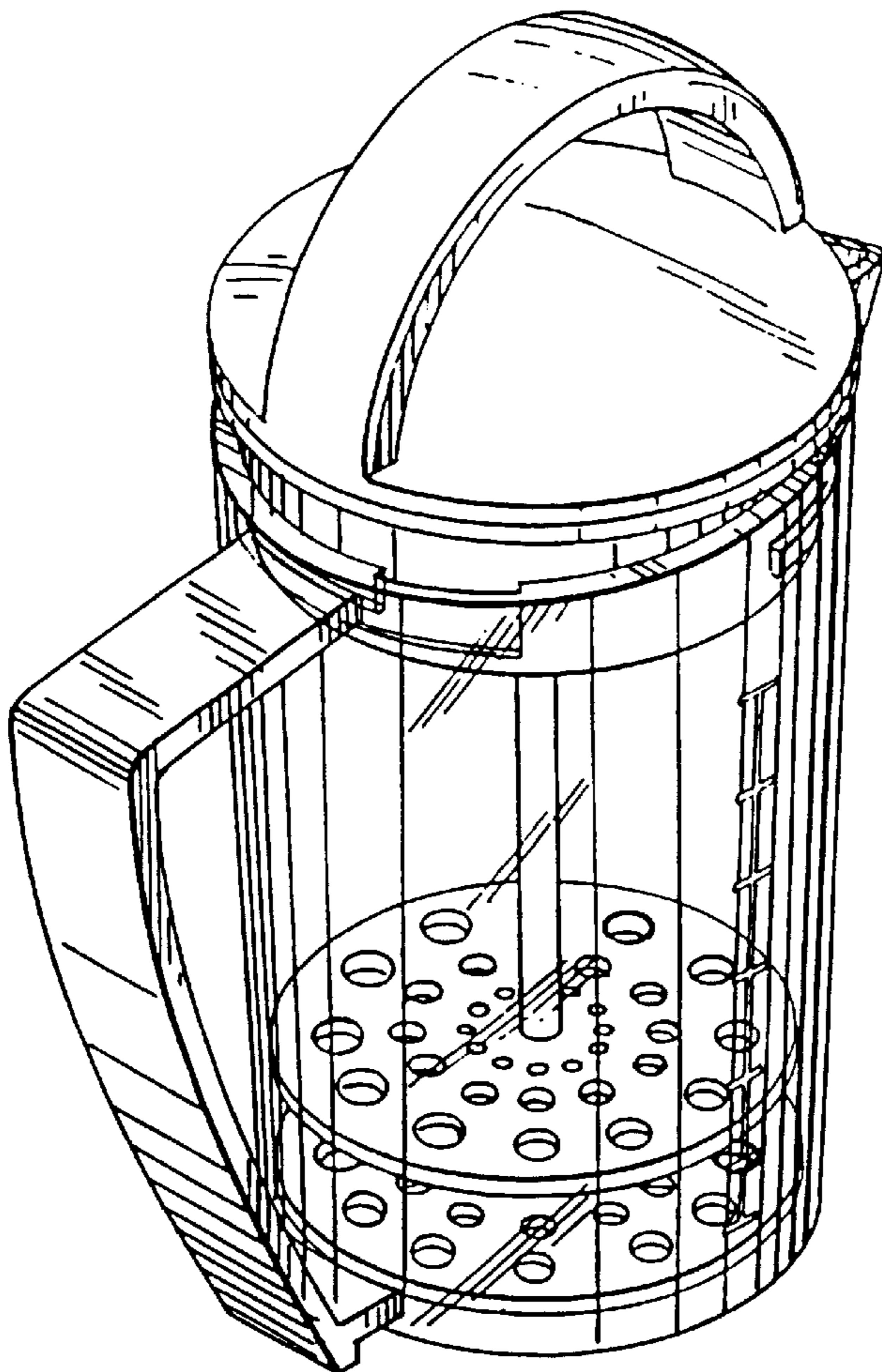


FIG. 8

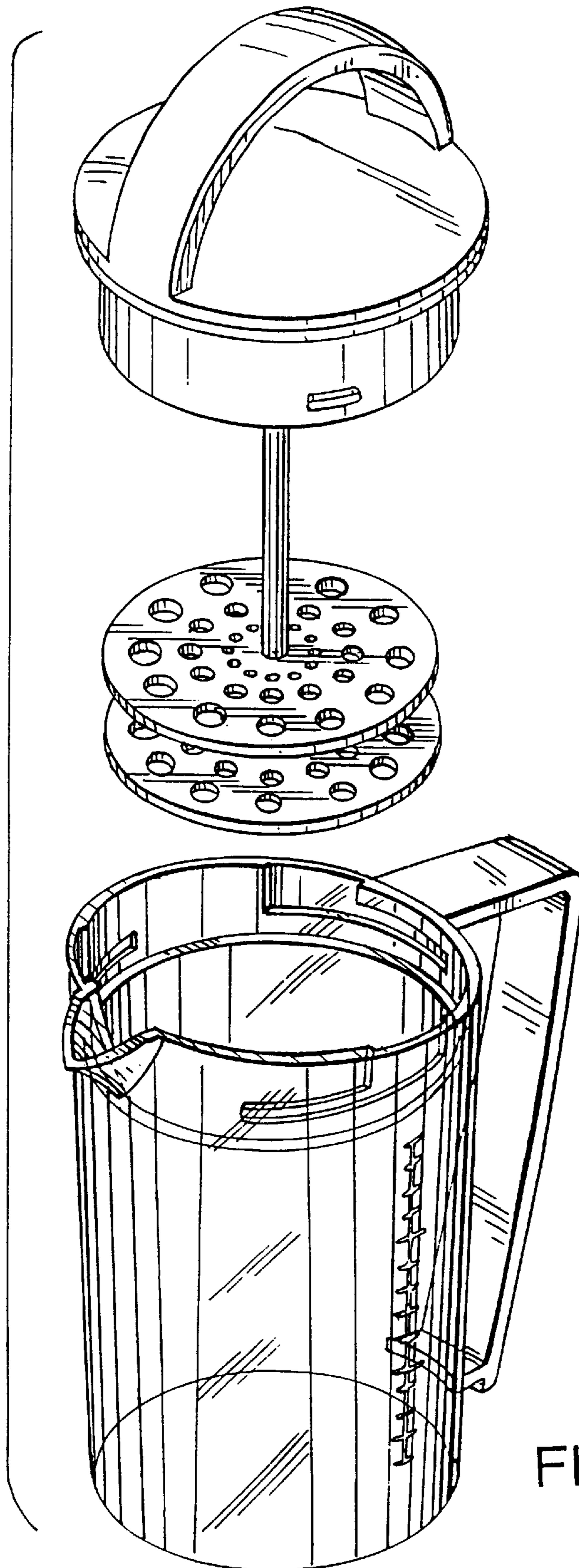


FIG. 9