



US00D446678B1

(12) **United States Design Patent**
Pai

(10) **Patent No.:** **US D446,678 S**

(45) **Date of Patent:** **** Aug. 21, 2001**

(54) **ROASTING PAN**

(76) **Inventor:** **Lucas Pai**, No. 124, Ying-Hua Rd.,
Hsitun Dist., Taichung (TW)

(**) **Term:** **14 Years**

(21) **Appl. No.:** **29/123,893**

(22) **Filed:** **May 26, 2000**

(51) **LOC (7) Cl.** **07-02**

(52) **U.S. Cl.** **D7/337**

(58) **Field of Search** D7/332-337, 402,
D7/407; 126/9 R, 9 A, 9 B, 25 R, 25 B,
26, 29-30, 38, 39 R, 41 R, 44; 99/481-482,
446, 444, 340

(56) **References Cited**

U.S. PATENT DOCUMENTS

- D. 282,619 * 2/1986 Fitzgerald et al. D7/332
- D. 302,641 * 8/1989 Elmburg D7/332
- D. 415,649 * 10/1999 Pai D7/337
- D. 415,925 * 11/1999 Pai D7/337

- D. 420,244 * 2/2000 Pai D7/332
- D. 426,101 * 6/2000 Pai D7/334
- D. 436,284 * 1/2001 Mak D7/332

* cited by examiner

Primary Examiner—Ruth McInroy

(74) *Attorney, Agent, or Firm*—Fei-Fei Chao; Venable,
Baetjer, Howard & Civiletti, LLP

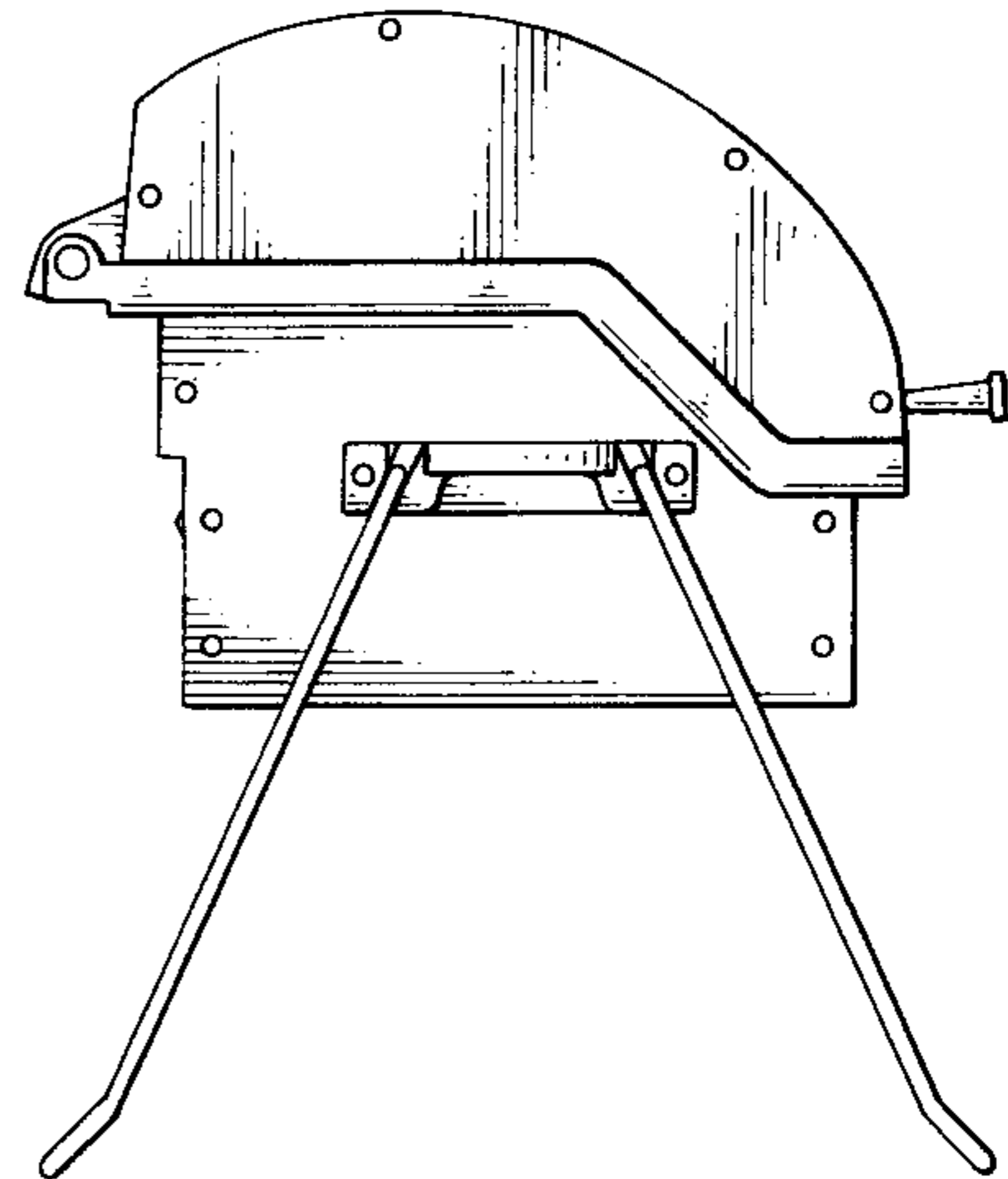
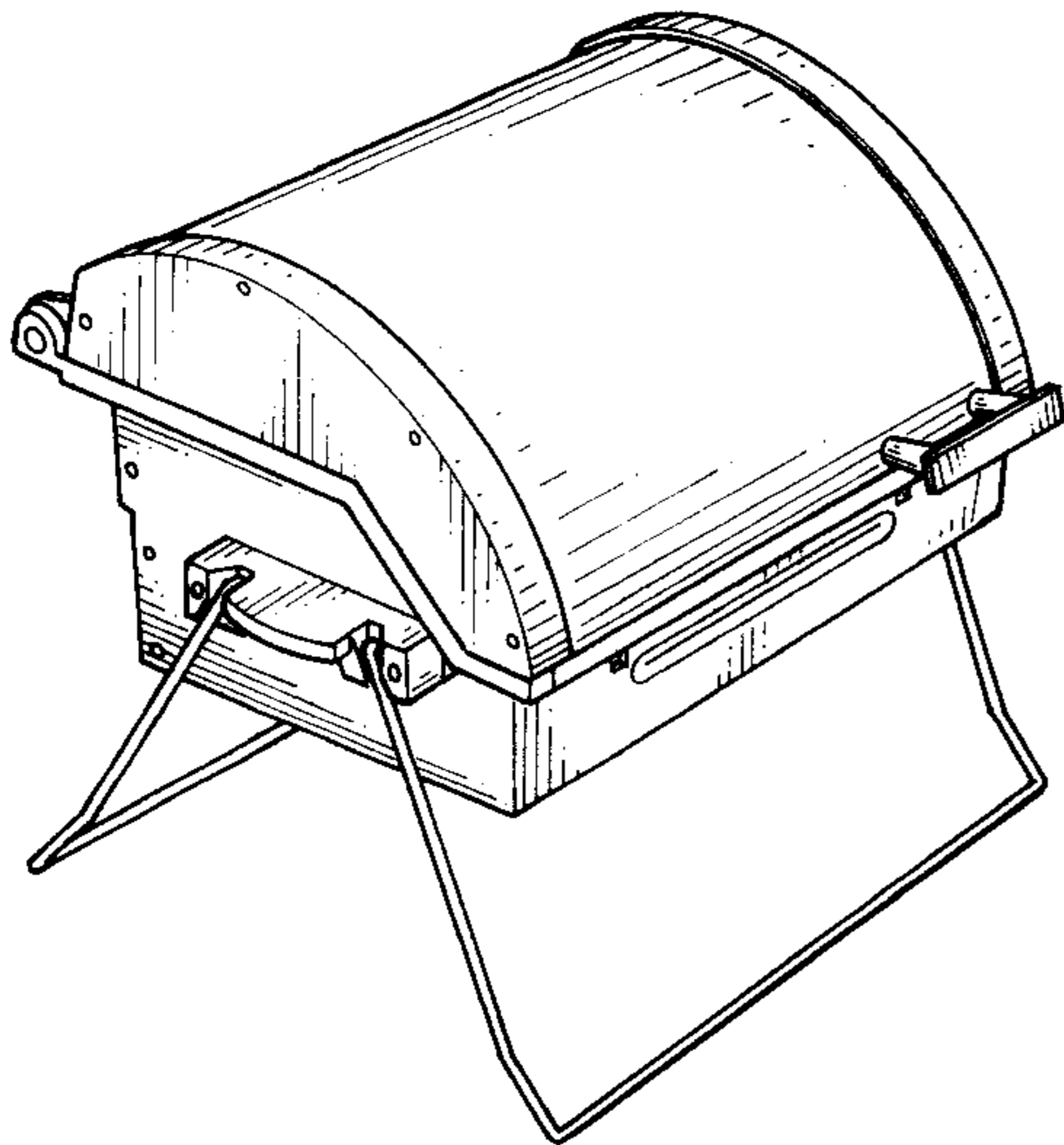
(57) **CLAIM**

The ornamental design for the roasting pan, as shown.

DESCRIPTION

FIG. 1 is a perspective view of a roasting pan showing my new design;
 FIG. 2 is a front view thereof;
 FIG. 3 is a rear view thereof;
 FIG. 4 is a left side view thereof;
 FIG. 5 is a right side view thereof;
 FIG. 6 is a top view thereof; and,
 FIG. 7 is a bottom view thereof.

1 Claim, 4 Drawing Sheets



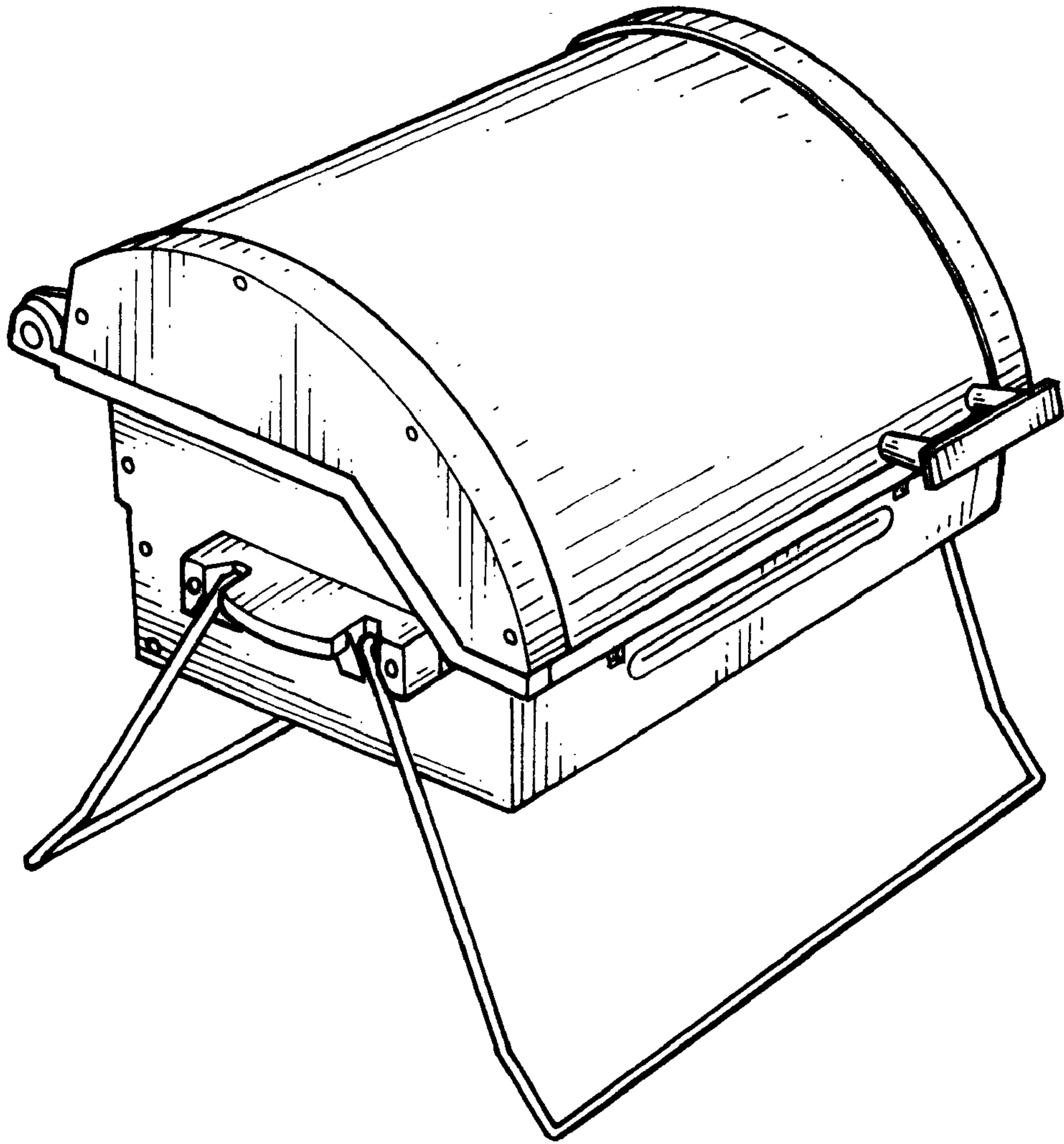


FIG. 1

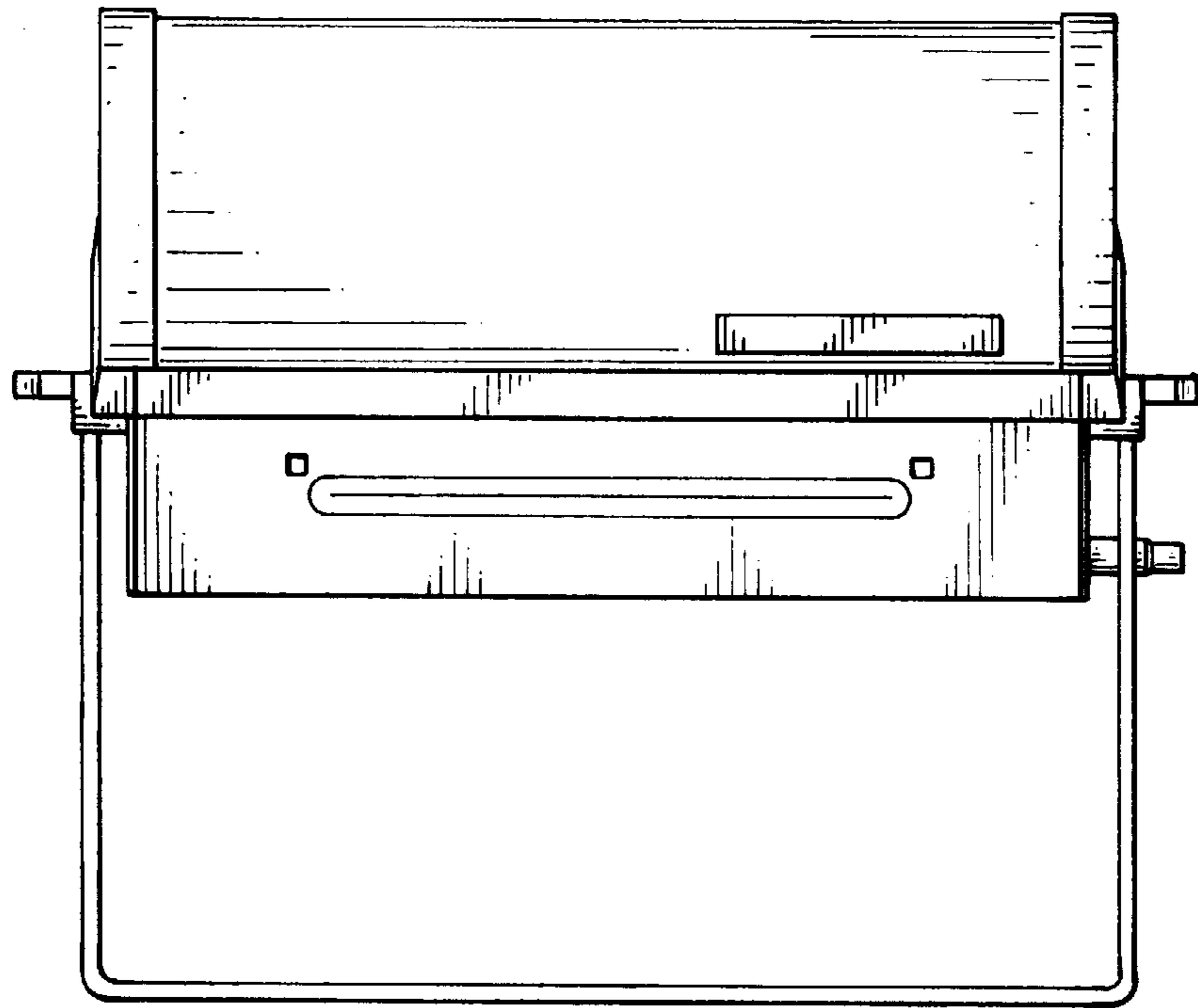


FIG. 2

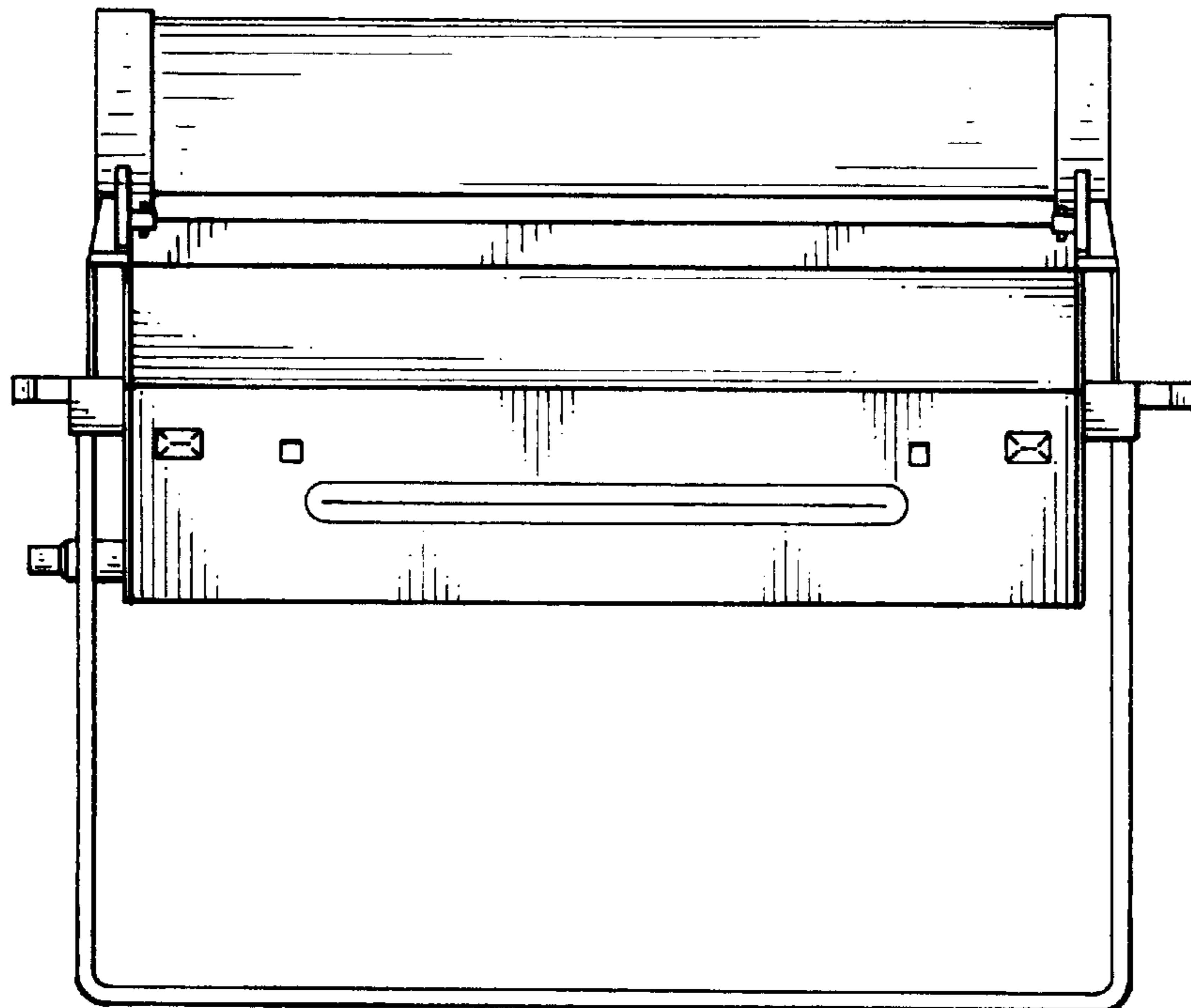


FIG. 3

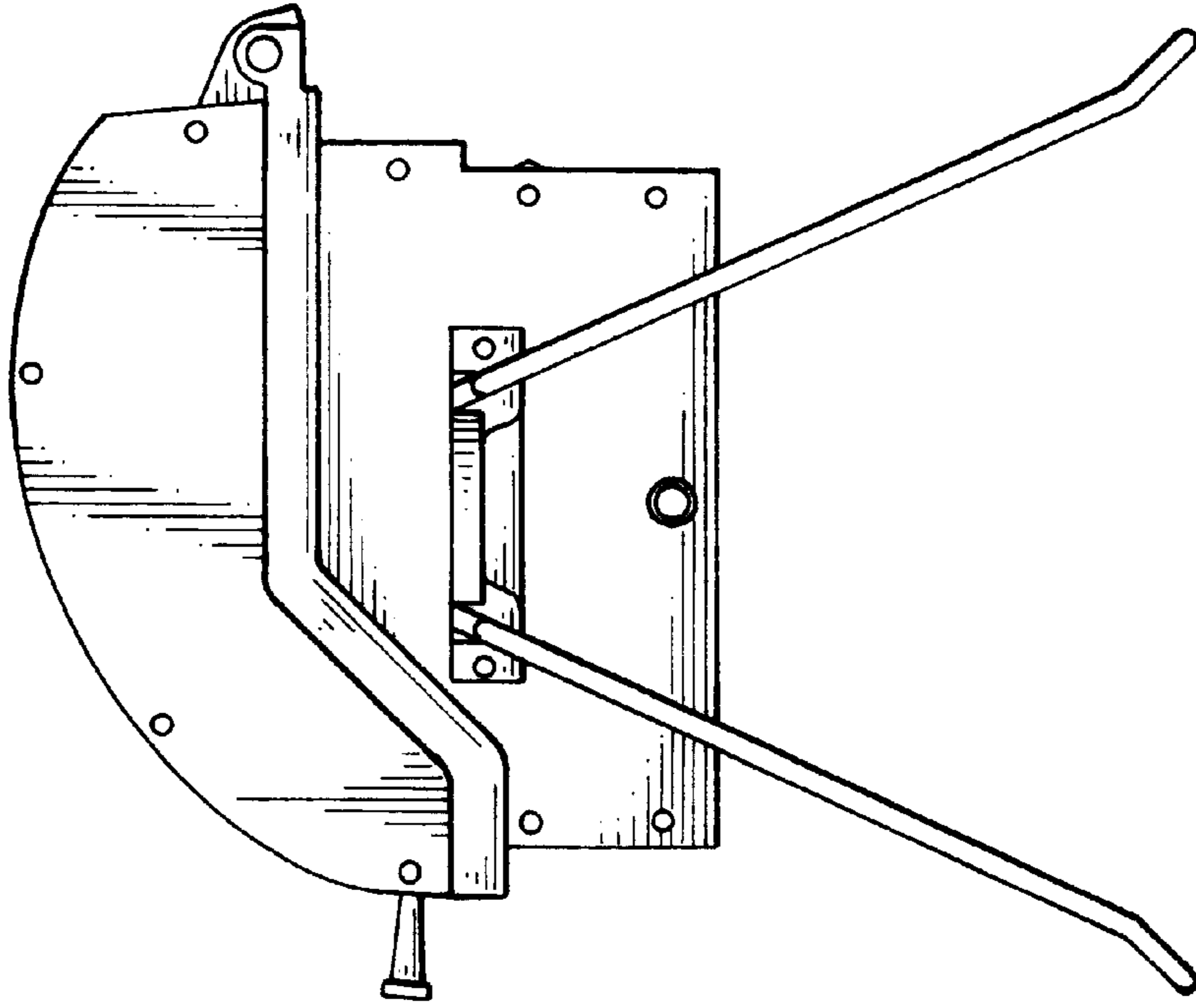


FIG. 5

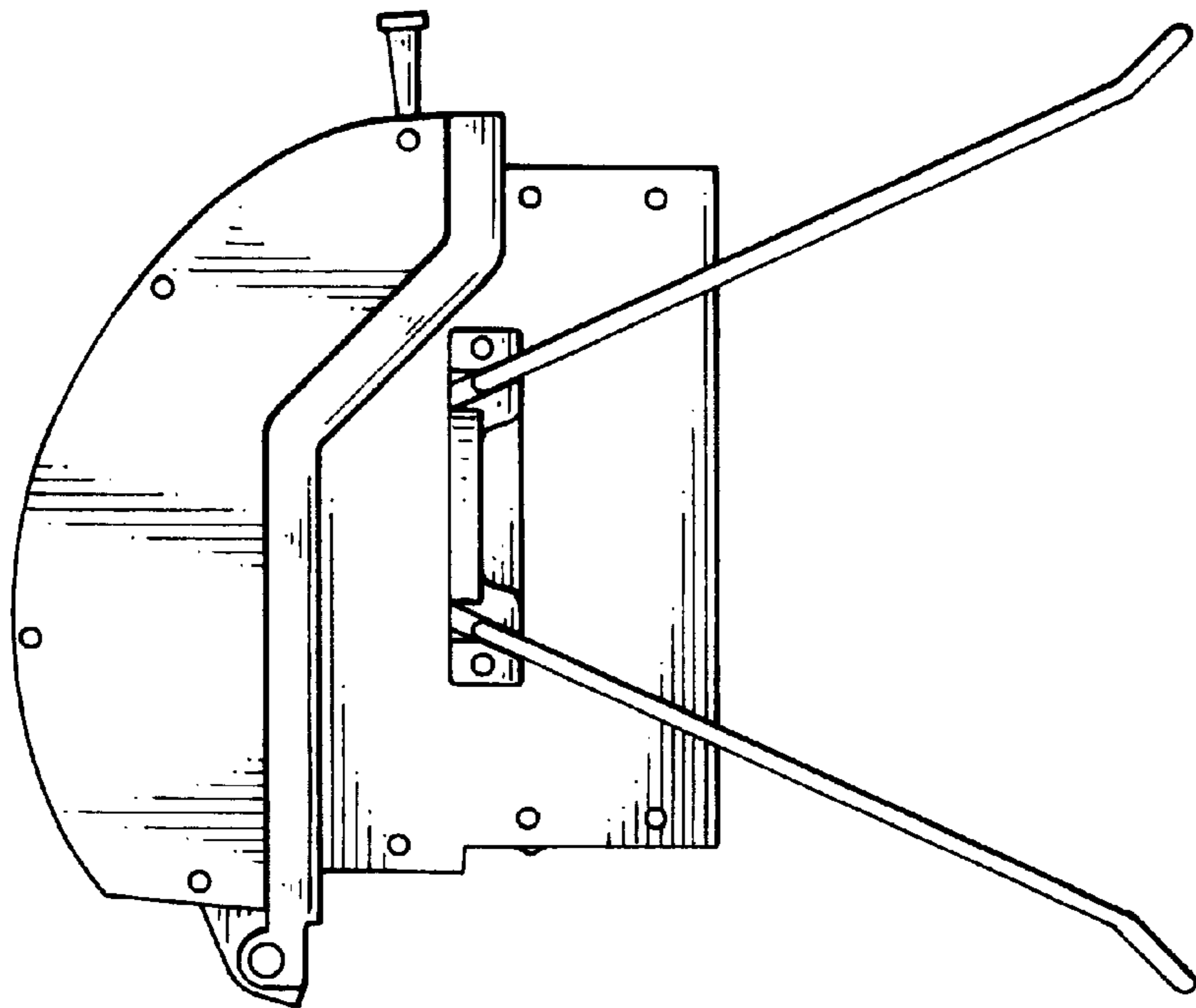


FIG. 4

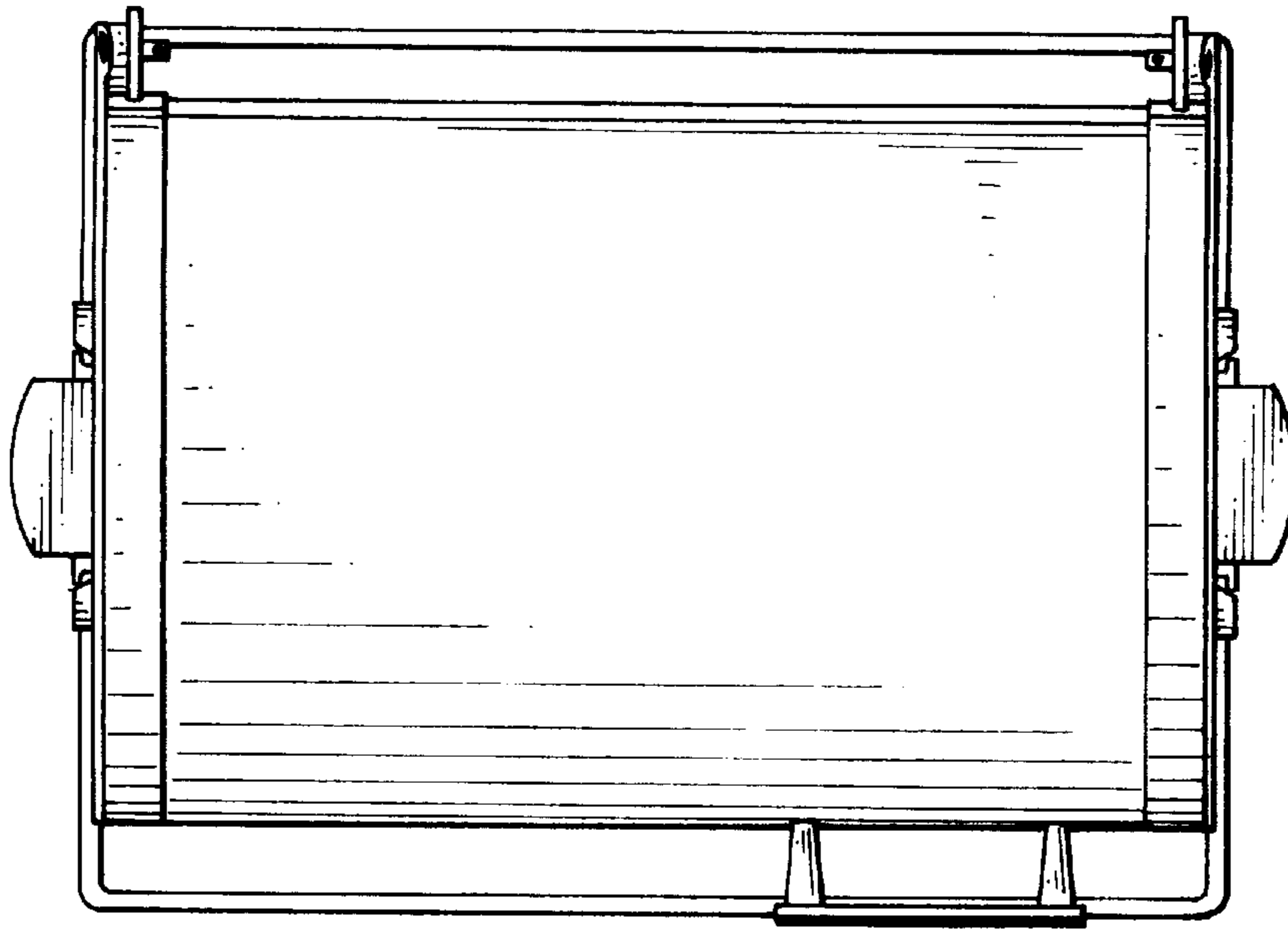


FIG. 6

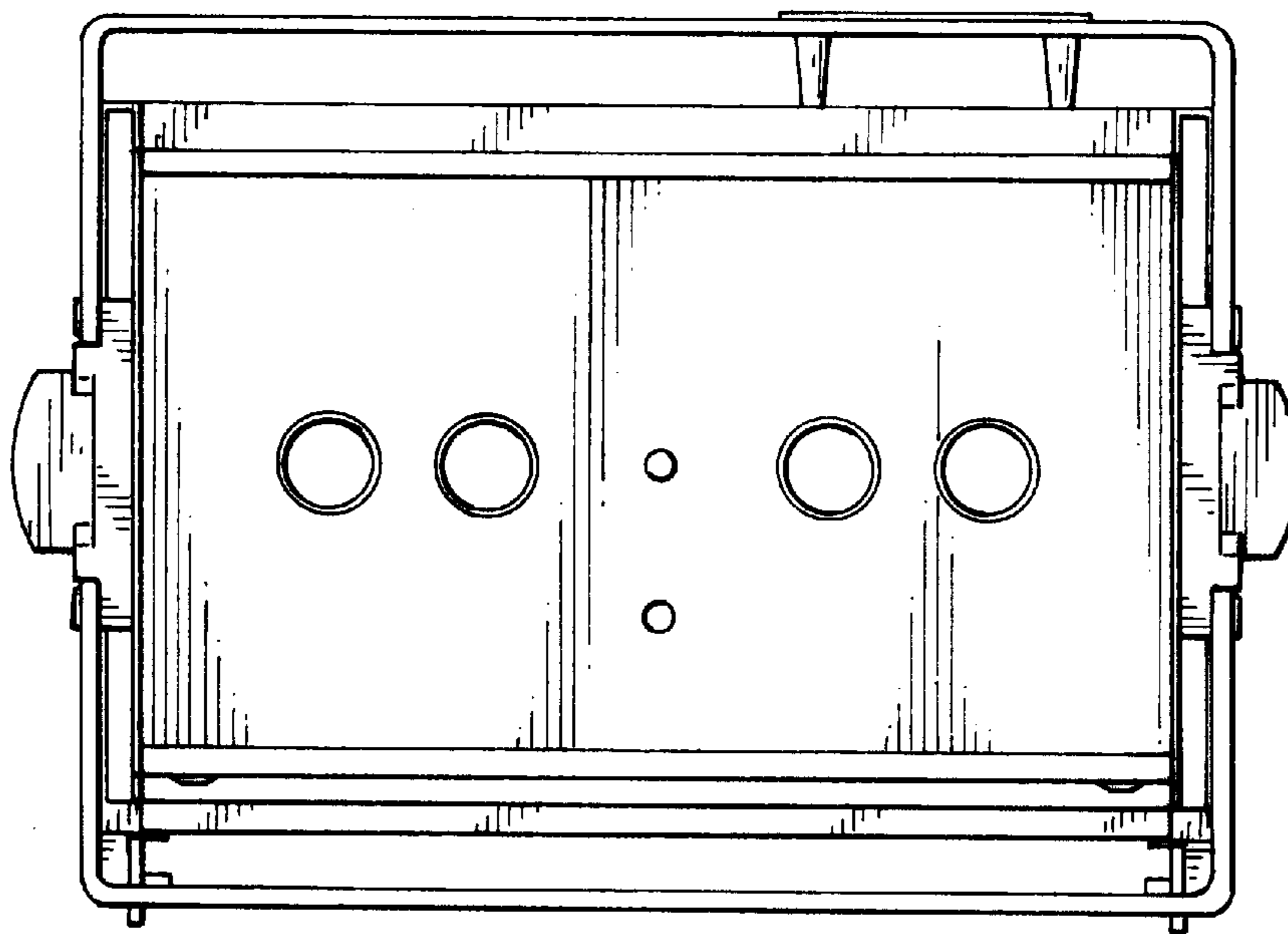


FIG. 7