



US00D446673B1

(12) **United States Design Patent**  
**Wünsche**

(10) **Patent No.:** **US D446,673 S**

(45) **Date of Patent:** **\*\* Aug. 21, 2001**

(54) **VERTICAL BLIND SUPPORT RAIL  
(HOUSING)**

5,950,701 \* 9/1999 Rogers ..... 160/177 V  
6,119,757 \* 9/2000 Judkins et al. .... 160/178.1

(75) Inventor: **Jens Wünsche**, Bremerhaven (DE)

\* cited by examiner

(73) Assignee: **Benthin Aktiengesellschaft**,  
Bremerhaven (DE)

*Primary Examiner*—Mitchell Siegel

(74) *Attorney, Agent, or Firm*—McGlew and Tuttle, P.C.

(\*\*) Term: **14 Years**

(57) **CLAIM**

(21) Appl. No.: **29/116,281**

The ornamental design for a vertical blind support rail (housing), as shown and described.

(22) Filed: **Dec. 29, 1999**

**DESCRIPTION**

(51) **LOC (7) Cl.** ..... **06-10**

(52) **U.S. Cl.** ..... **D6/577**

(58) **Field of Search** ..... D6/577, 580; D25/49,  
D25/55; 160/39, 178.1, 310, 168.1, 900,  
176.1, 166.1, 172, 173, 177 V

FIG. 1 is a perspective view of the vertical blind support rail; FIG. 2 is a top view thereof; FIG. 3 is an end view thereof, the opposite end view being substantially a mirror image; FIG. 4 is a side view thereof, the opposite side view being substantially a mirror image; and, FIG. 5 is a bottom view thereof.

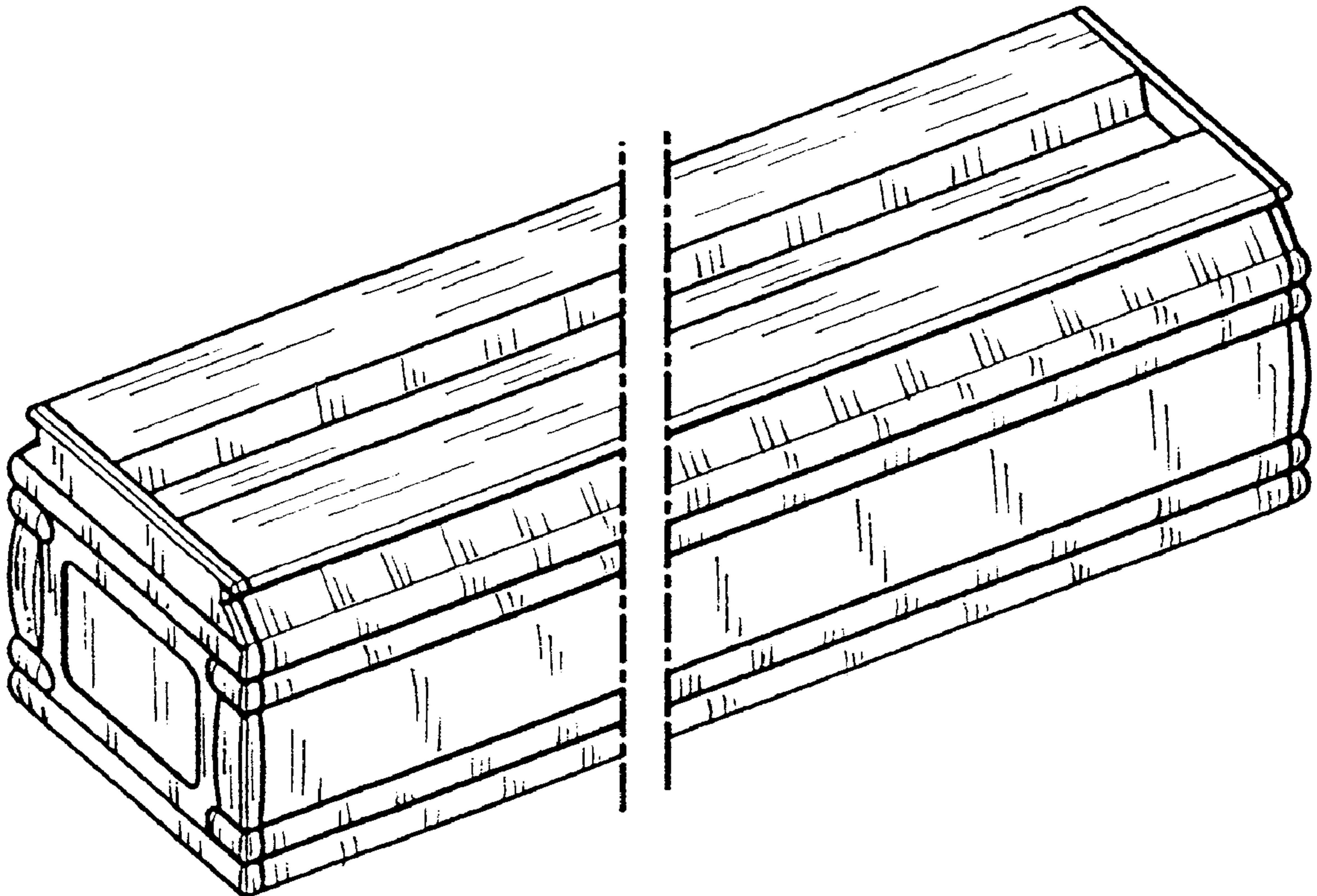
(56) **References Cited**

The broken away section in the drawing is due to the indeterminate length of the claim design.

**U.S. PATENT DOCUMENTS**

D. 401,910 \* 1/1999 Anderson ..... D6/580  
5,095,966 \* 3/1992 Rogers ..... 160/168.1

**1 Claim, 1 Drawing Sheet**



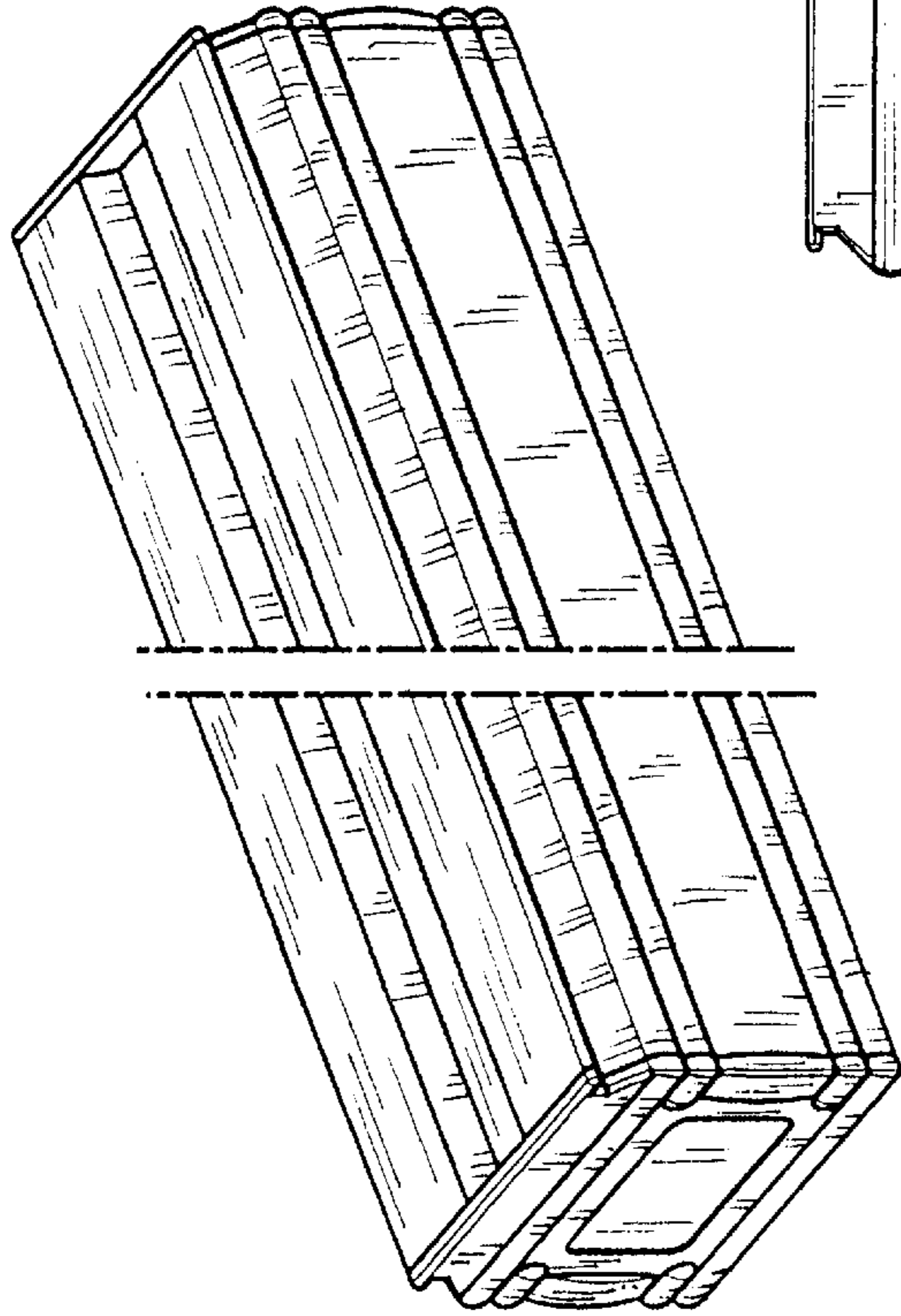


Fig. 1

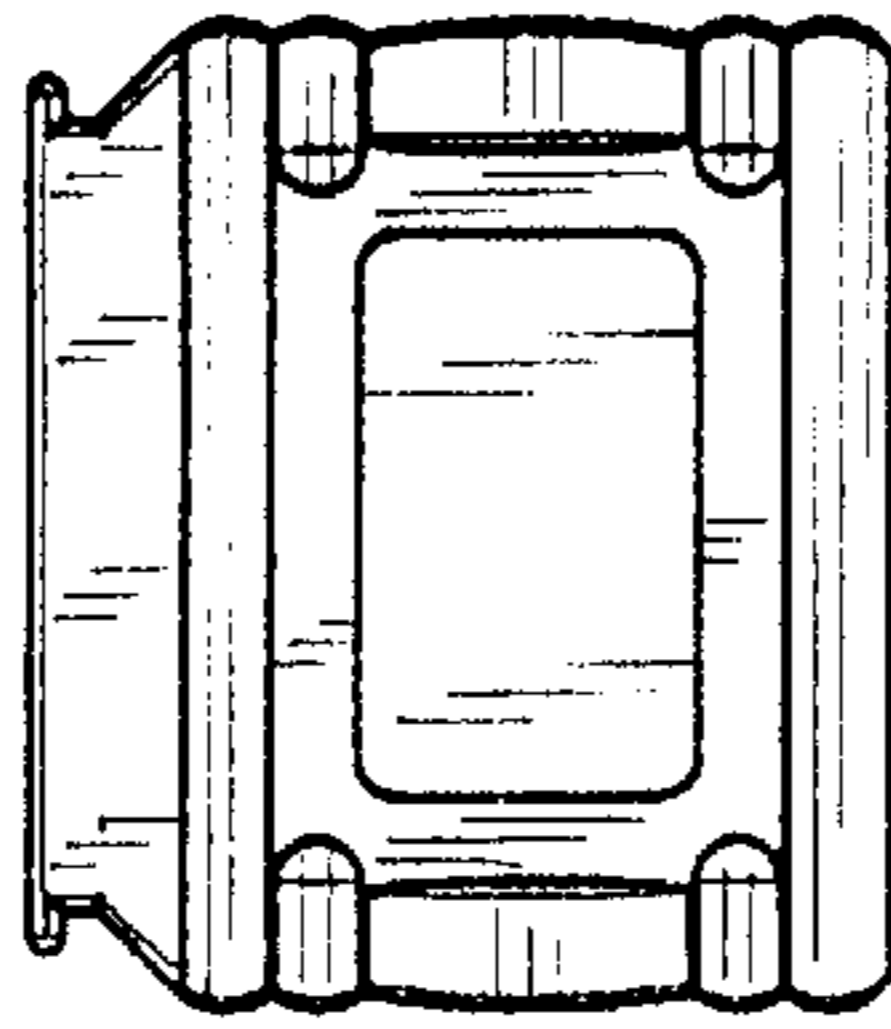


Fig. 3

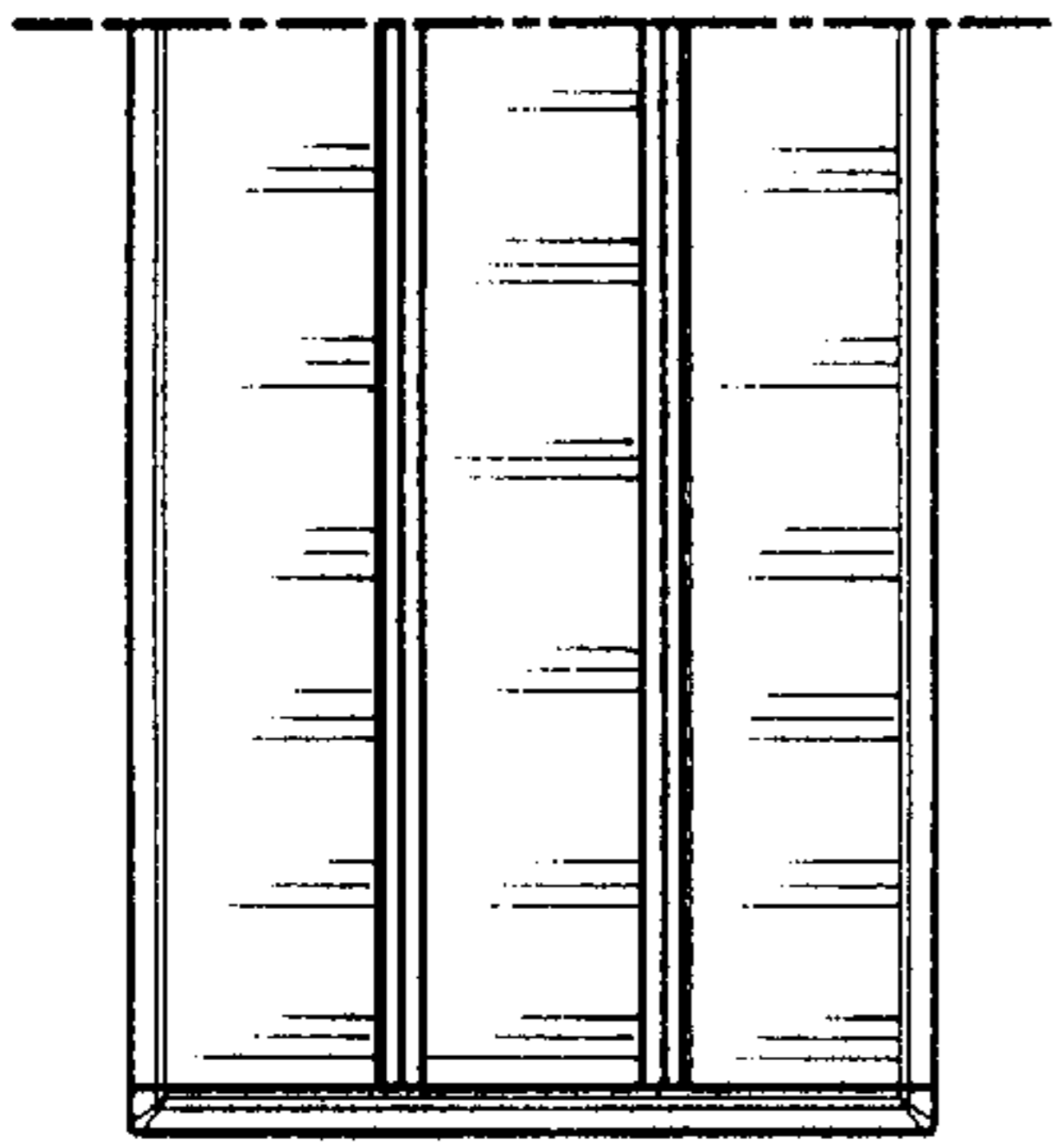


Fig. 2

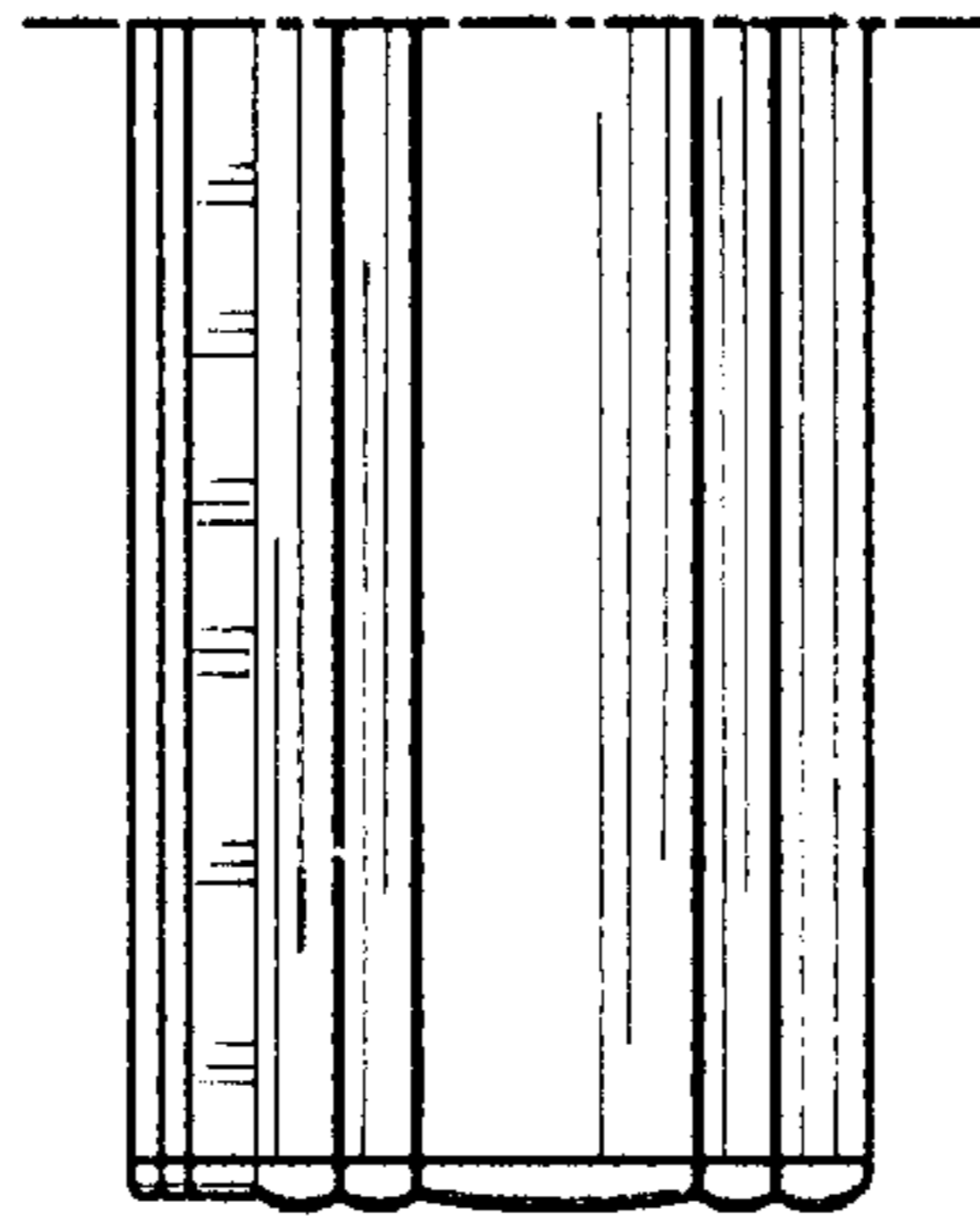


Fig. 4

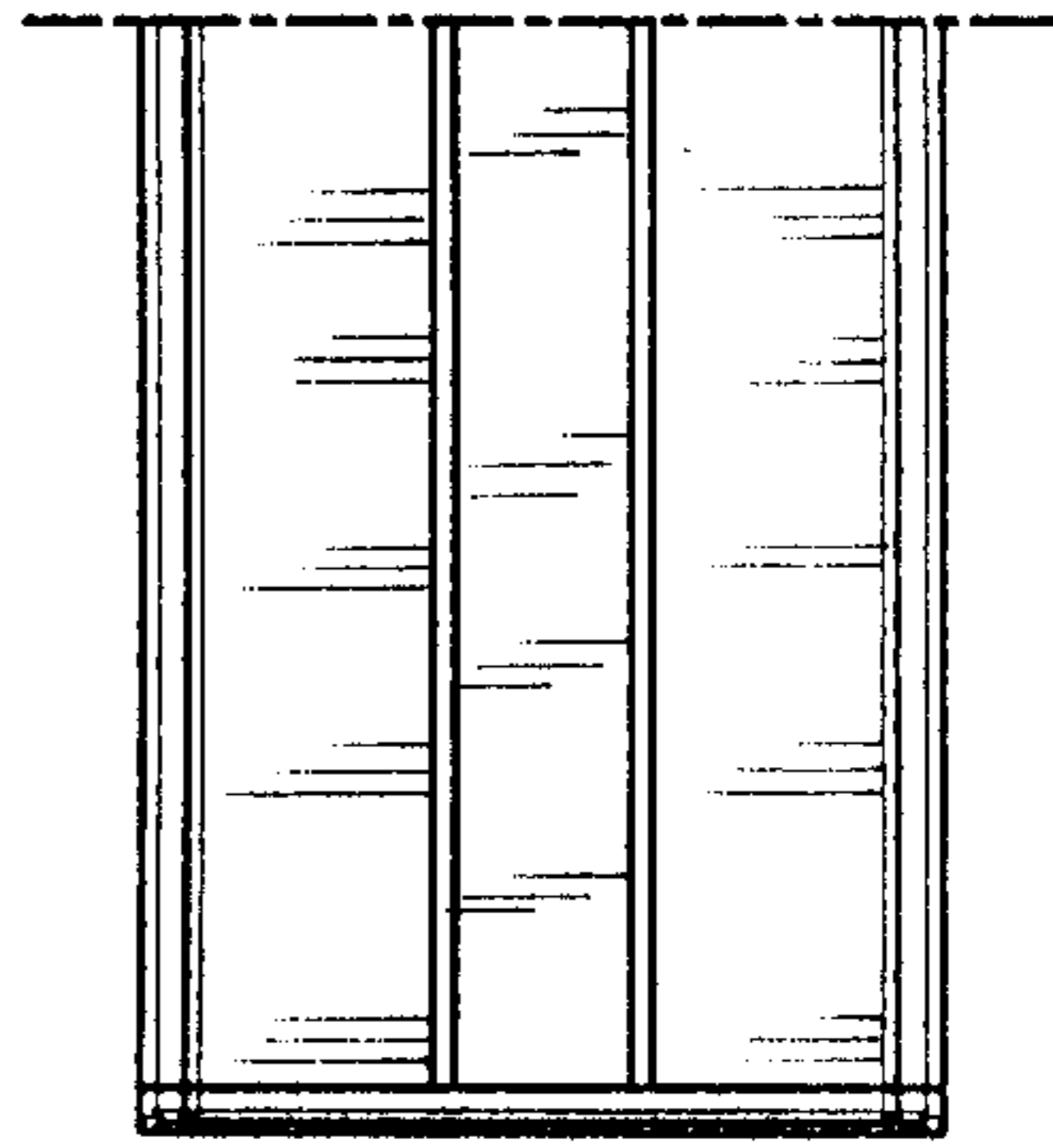


Fig. 5

