



US00D446670B1

(12) **United States Design Patent**
Emery et al.

(10) **Patent No.:** **US D446,670 S**

(45) **Date of Patent:** **** Aug. 21, 2001**

(54) **SHOWER ORGANIZER**

(76) Inventors: **William W. Emery**, 326 Timber Dr.,
Berkeley Heights, NJ (US) 07922;
Russell A. Fritts, 17 Lenape Trail,
Warren, NJ (US) 07059

(**) Term: **14 Years**

(21) Appl. No.: **29/115,108**

(22) Filed: **Dec. 8, 1999**

(51) **LOC (7) Cl.** **23-02**

(52) **U.S. Cl.** **D6/525**

(58) **Field of Search** D6/524, 525, 566;
211/13.1, 71, 74, 75, 86-88, 90, 126.1,
134, 181.1

(56) **References Cited**

U.S. PATENT DOCUMENTS

D. 320,134 * 9/1991 Emery D6/525

D. 378,556 * 3/1997 Munoz D6/525
D. 387,595 * 12/1997 Whang D6/525
3,789,996 * 2/1974 Stroh 211/181.1

* cited by examiner

Primary Examiner—Brian N. Vinson

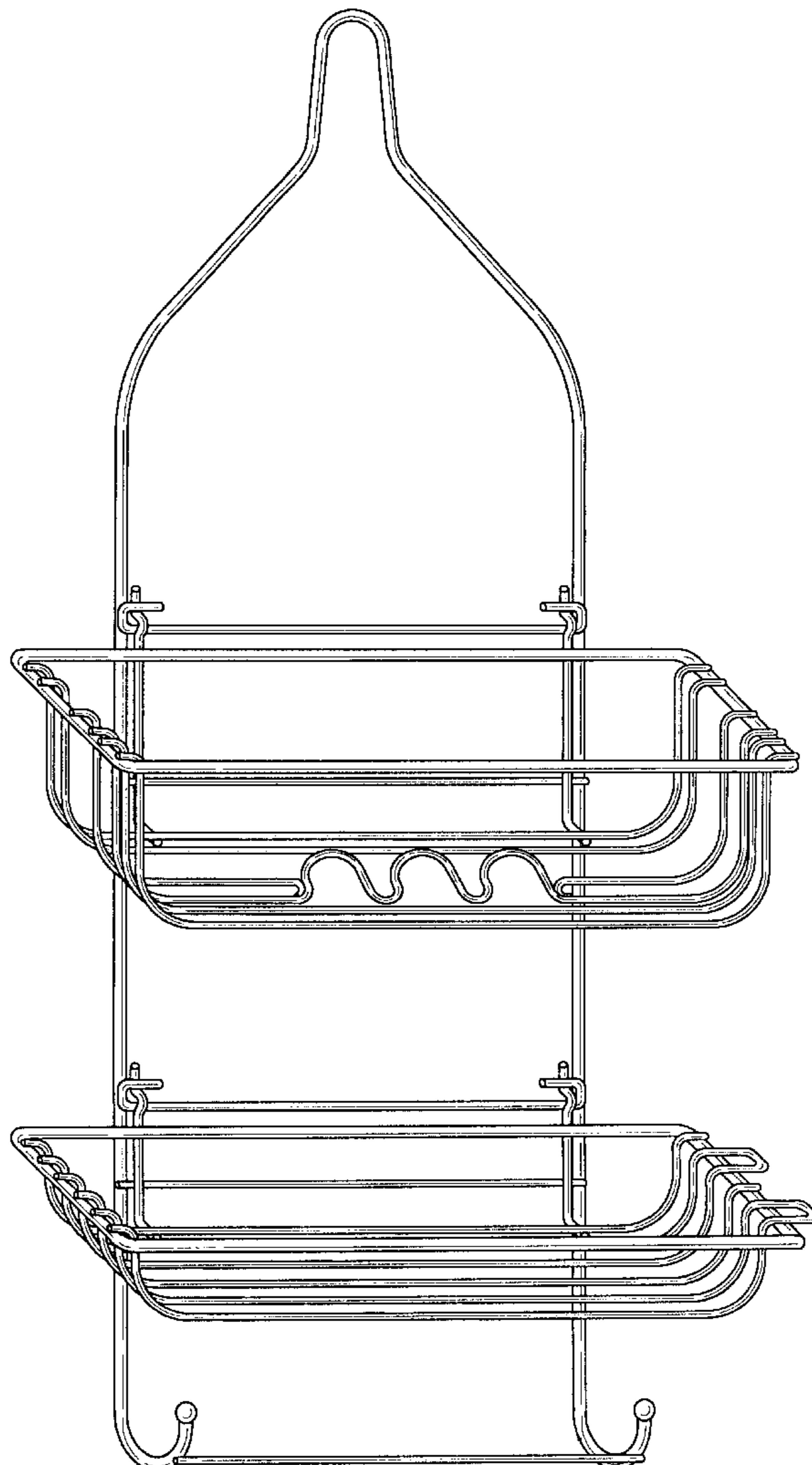
(57) **CLAIM**

The ornamental design for a shower organizer, as shown and described.

DESCRIPTION

FIG. 1 is a top, front and left side perspective view of the shower organizer design;
FIG. 2 is a front elevational view of the shower organizer;
FIG. 3 is a rear elevational view of the shower organizer;
FIG. 4 is a left side view of the shower organizer;
FIG. 5 is a right side view of the shower organizer;
FIG. 6 is a top plan view of the shower organizer; and,
FIG. 7 is a bottom plan view of the shower organizer.

1 Claim, 5 Drawing Sheets



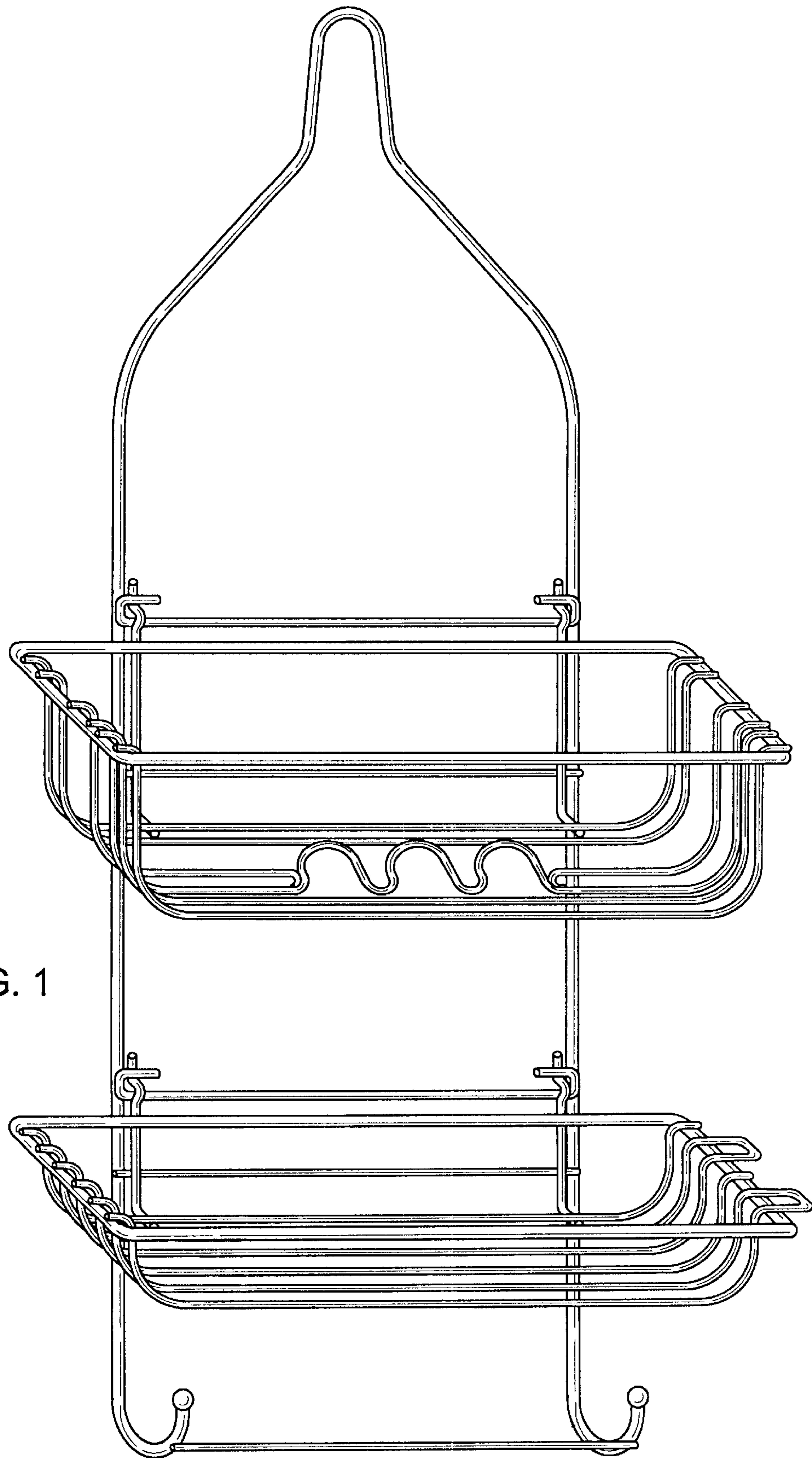


FIG. 1

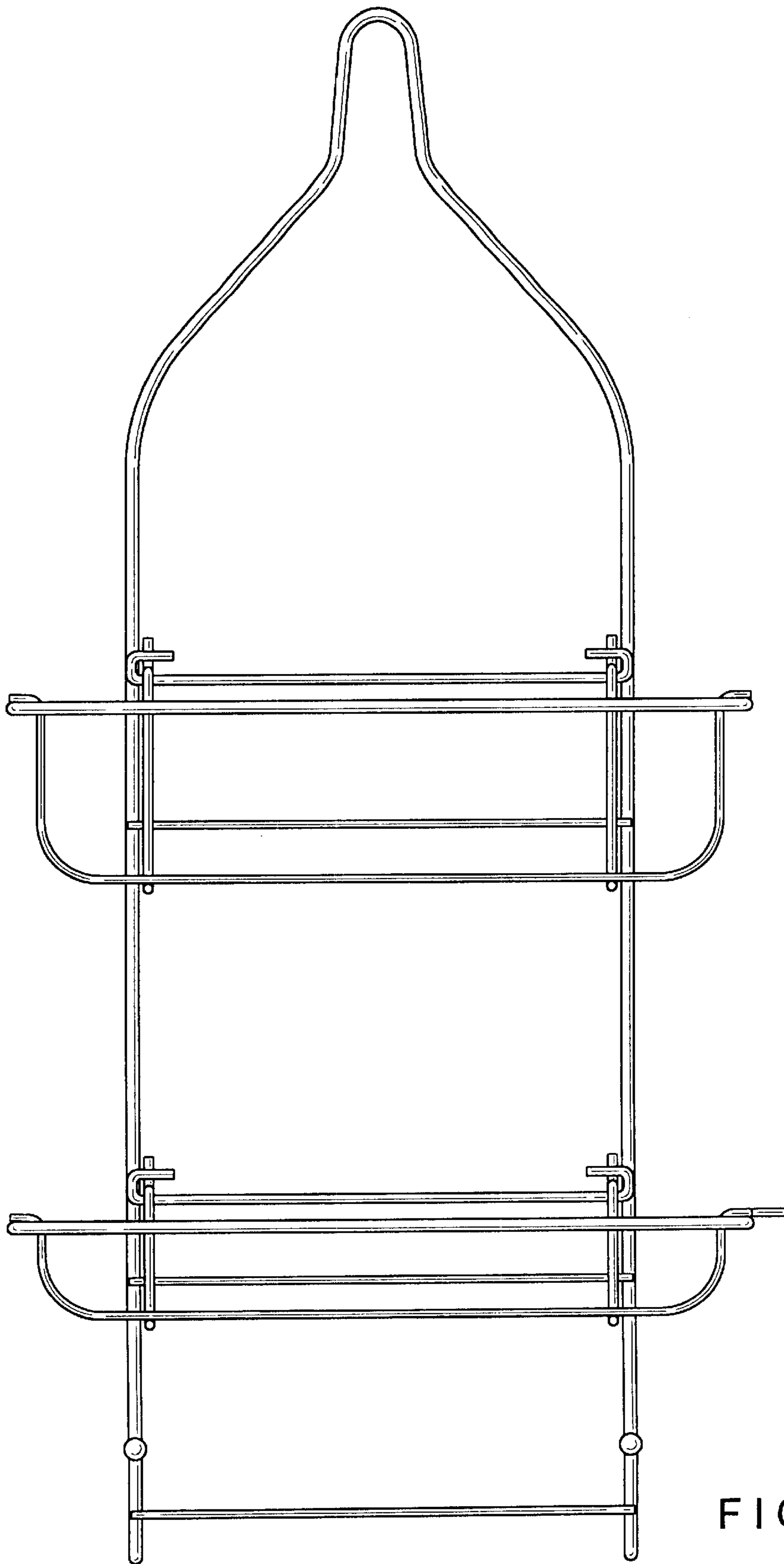


FIG. 2

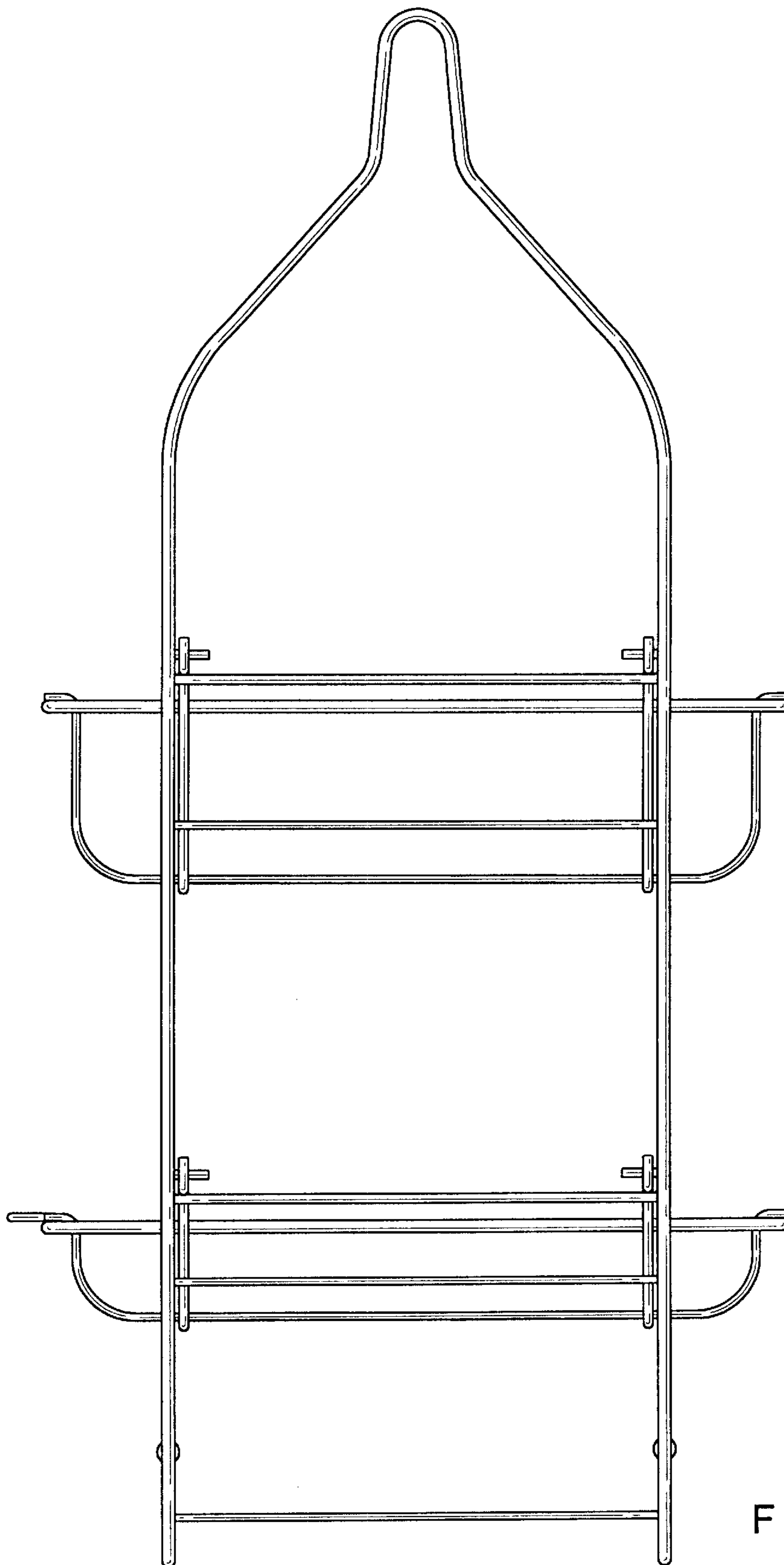


FIG. 3

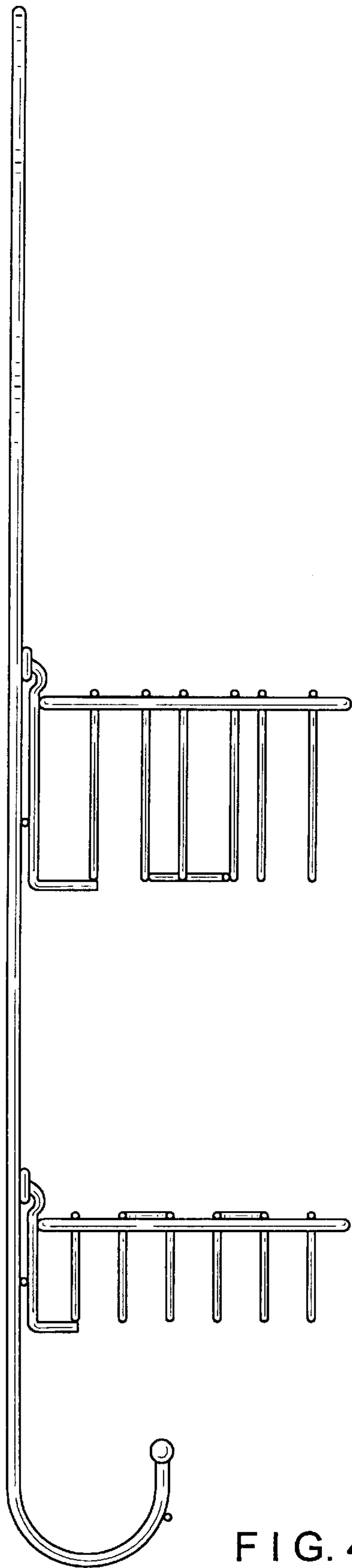


FIG. 4

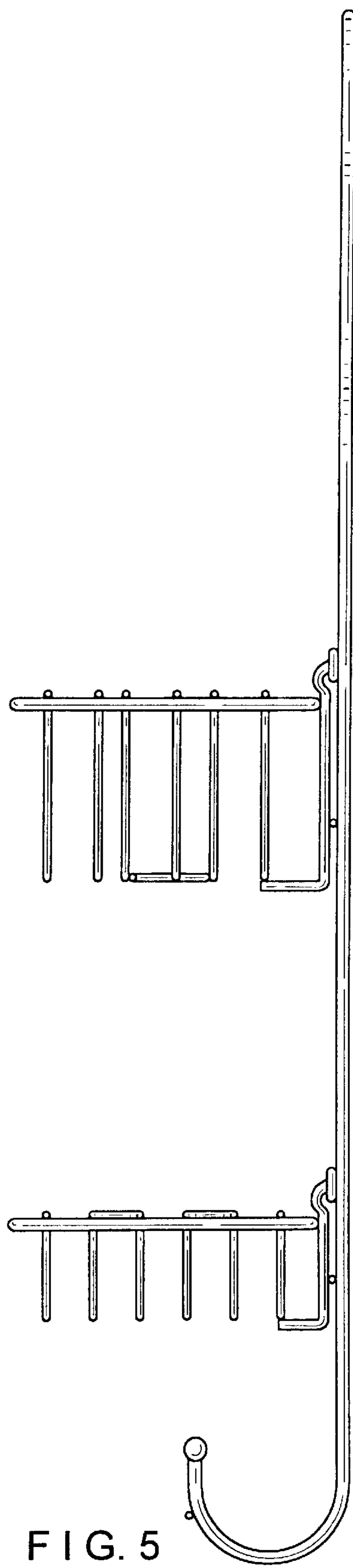


FIG. 5

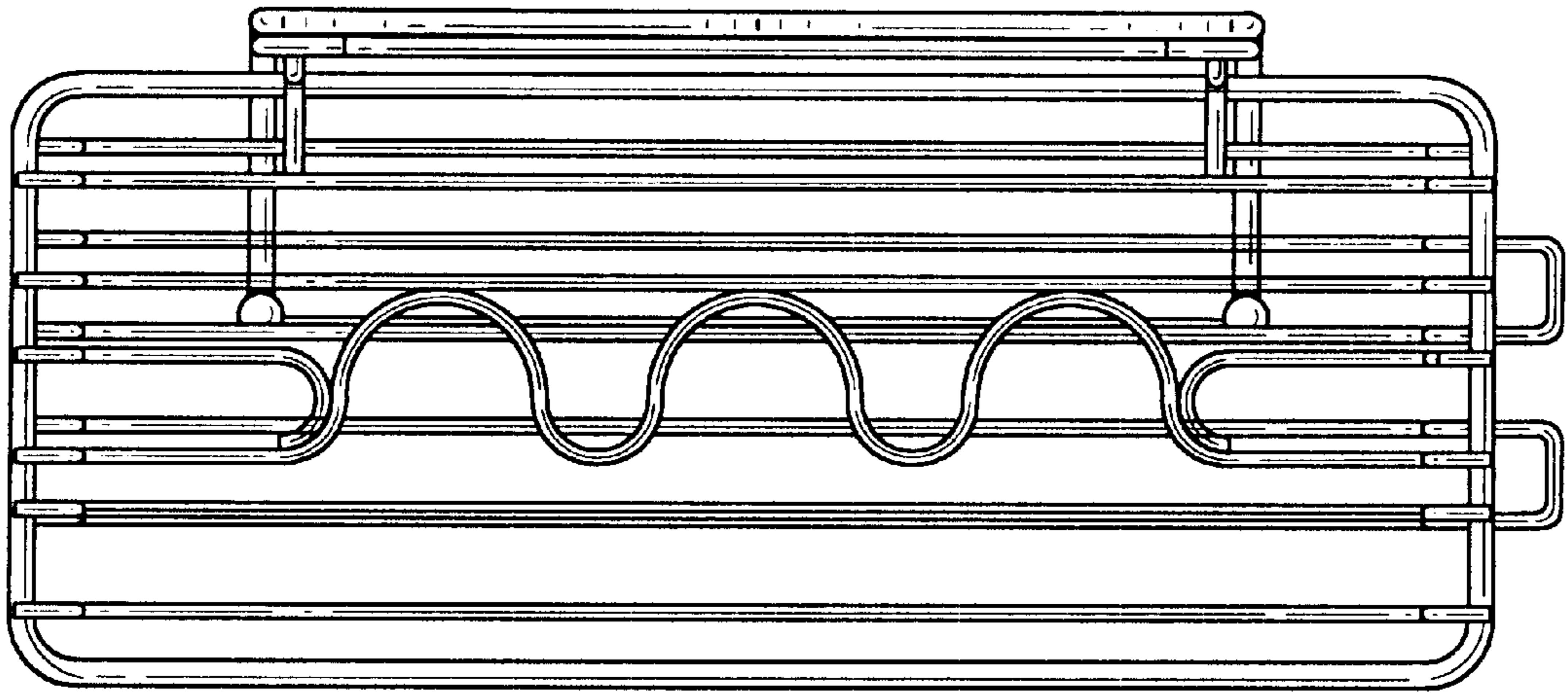


FIG. 6

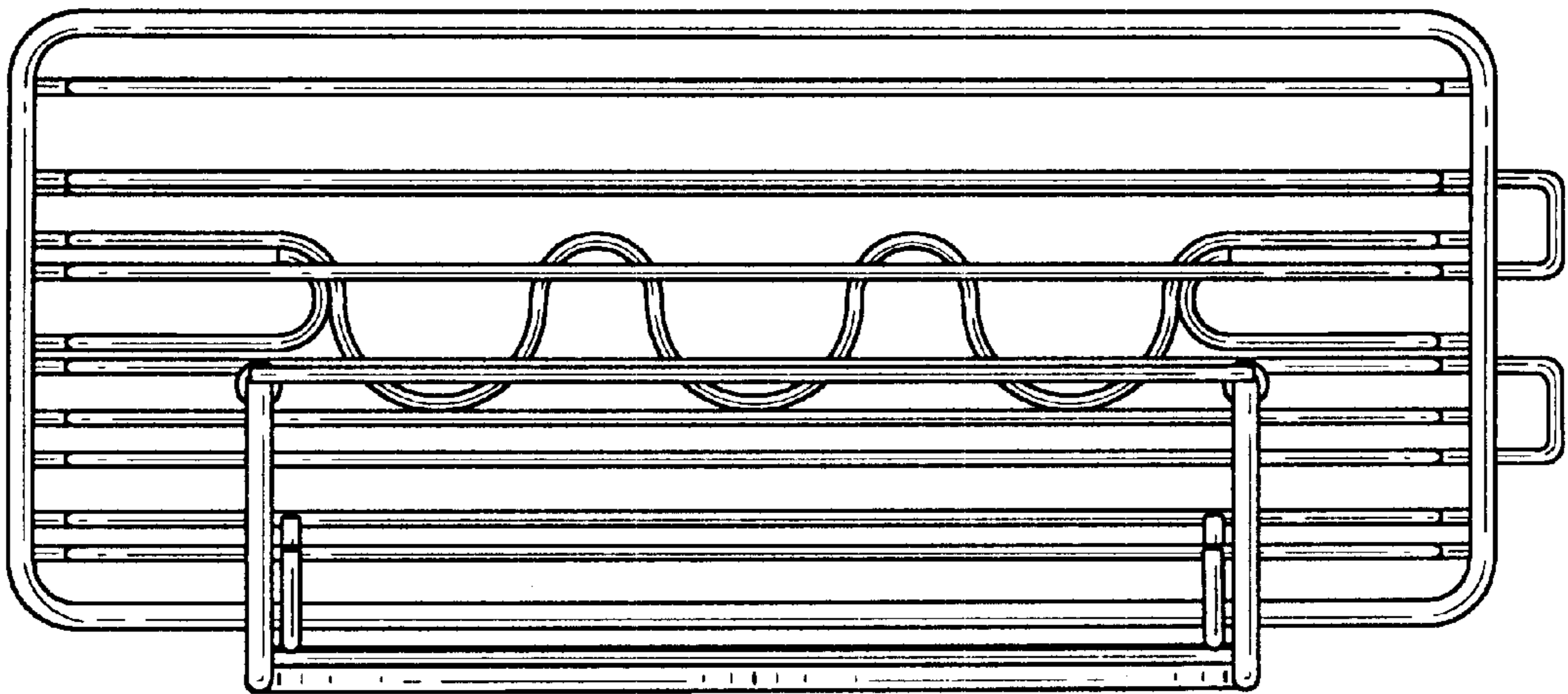


FIG. 7