



US00D44666B1

(12) **United States Design Patent**
Draheim et al.

(10) **Patent No.:** **US D446,666 S**

(45) **Date of Patent:** **** Aug. 21, 2001**

(54) **CHEST OF DRAWERS**

(75) Inventors: **Harvey J. Draheim**, Weyauwega; **Scott A. Krueger**, Appleton, both of WI (US)

(73) Assignee: **Simmons Juvenile Product Company, Inc.**, New London, WI (US)

(**) Term: **14 Years**

(21) Appl. No.: **29/127,728**

(22) Filed: **Aug. 11, 2000**

Related U.S. Application Data

(62) Division of application No. 29/108,173, filed on Jul. 21, 1999, now Pat. No. Des. 432,814.

(51) **LOC (7) Cl.** **06-04**

(52) **U.S. Cl.** **D6/446**

(58) **Field of Search** D6/432-448; 312/204,
312/224, 257.1

(56) **References Cited**

U.S. PATENT DOCUMENTS

- D. 99,341 * 4/1936 Bond, Jr. D6/492
- D. 339,252 * 9/1993 Martinez, Sr. D6/445
- D. 430,757 * 9/2000 Draheim et al. D6/477
- D. 432,814 * 10/2000 Draheim et al. D6/439

* cited by examiner

Primary Examiner—Cathron C. Brooks

(74) *Attorney, Agent, or Firm*—Hoffmann & Baron, LLP

(57) **CLAIM**

The ornamental design for a chest of drawers, as shown and described.

DESCRIPTION

FIG. 1 is a top perspective view of a chest of drawers showing our new design;

FIG. 2 is a top plan view thereof;

FIG. 3 is a front elevation view thereof;

FIG. 4 is a side elevation view thereof, the opposite side being a mirror image thereof;

FIG. 5 is a top perspective view of a chest of drawers showing a second embodiment of our new design;

FIG. 6 is a top plan view thereof;

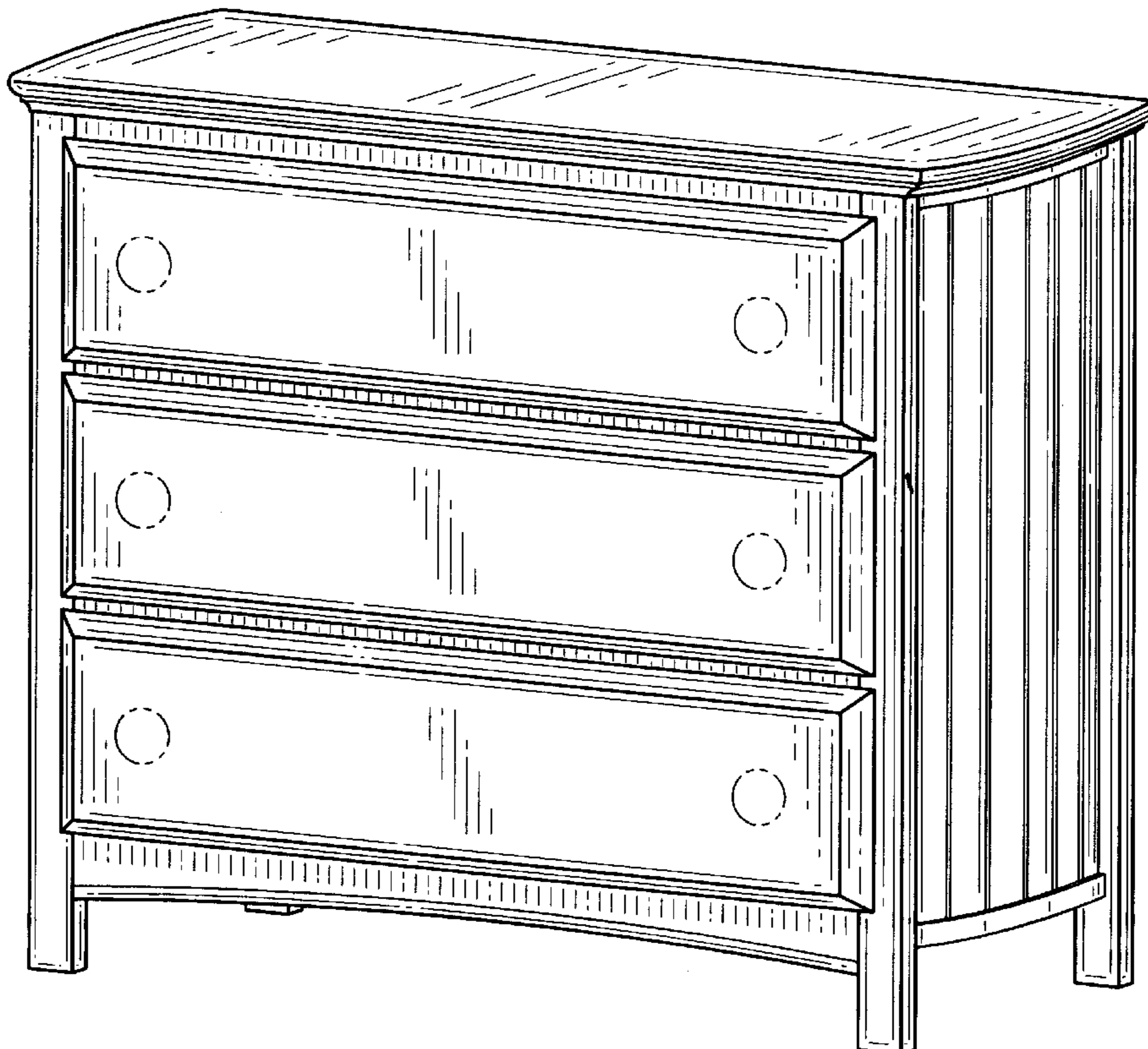
FIG. 7 is a front elevational view thereof;

FIG. 8 is a side elevation view thereof, the opposite side being a mirror image thereof; and,

FIG. 9 is an enlarged sectional view taken along line 9—9 of FIG. 4.

The rear and bottom views form no part of the claim designed. The subject matter shown in broken lines forms no part of the claimed design.

1 Claim, 9 Drawing Sheets



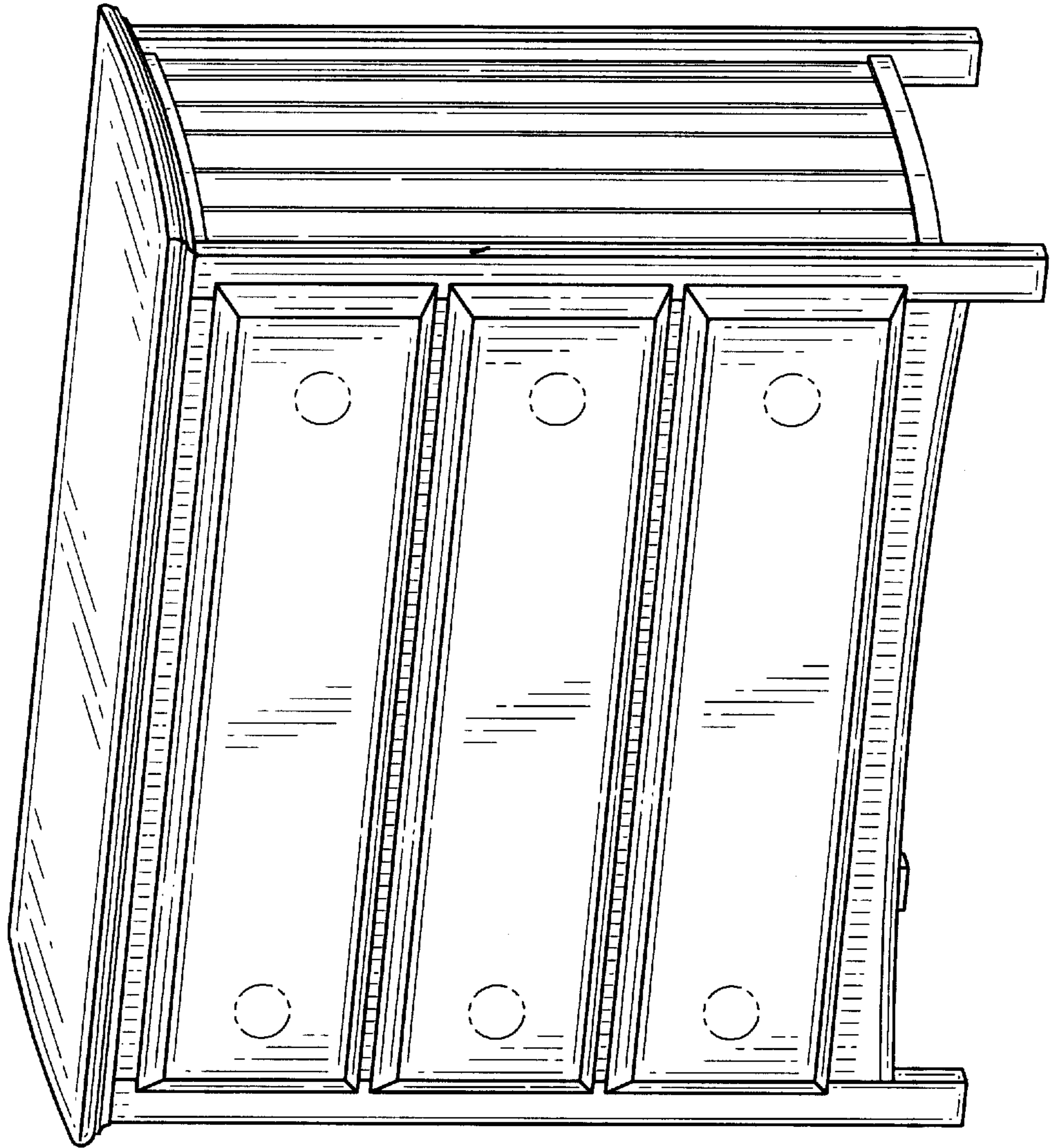


FIG. 1

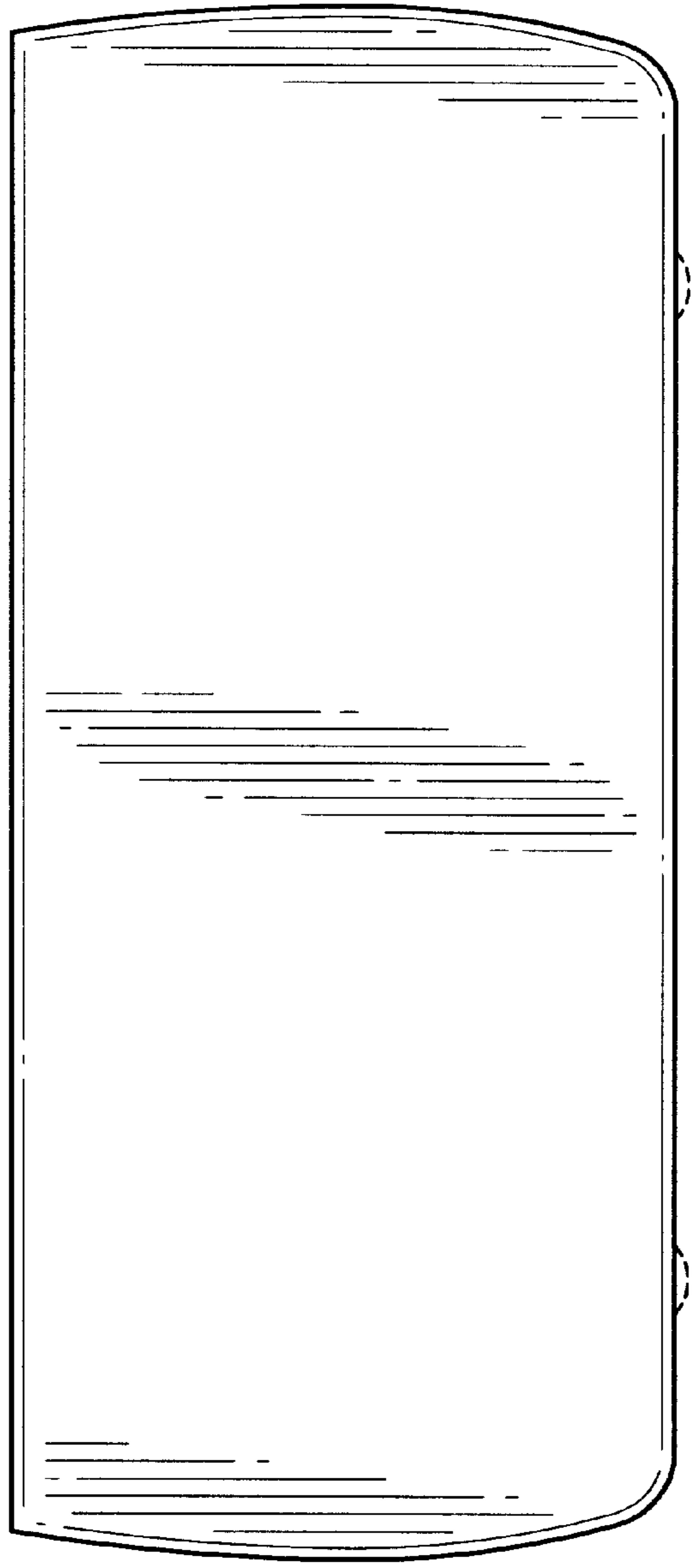


FIG. 2

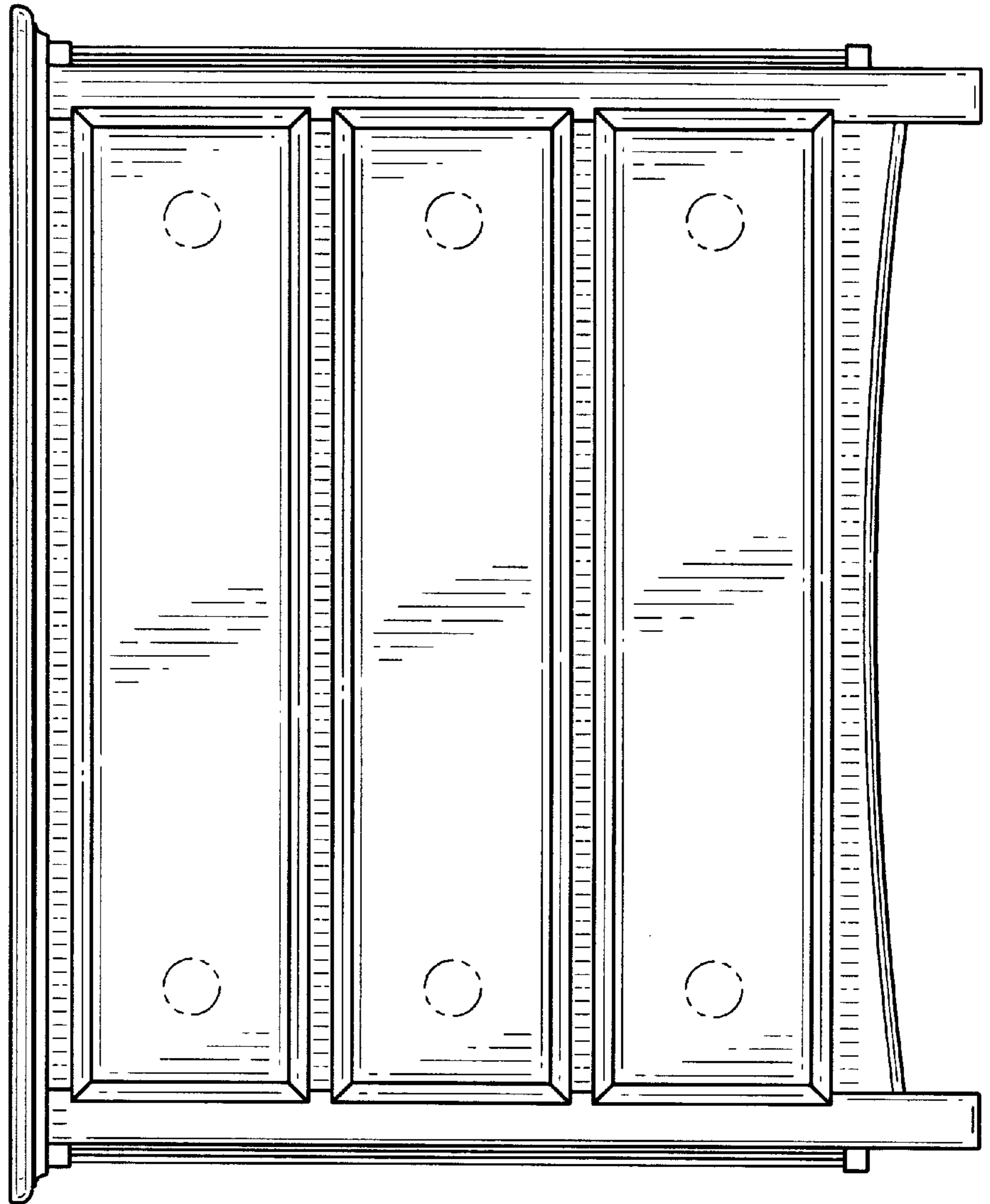


FIG. 3

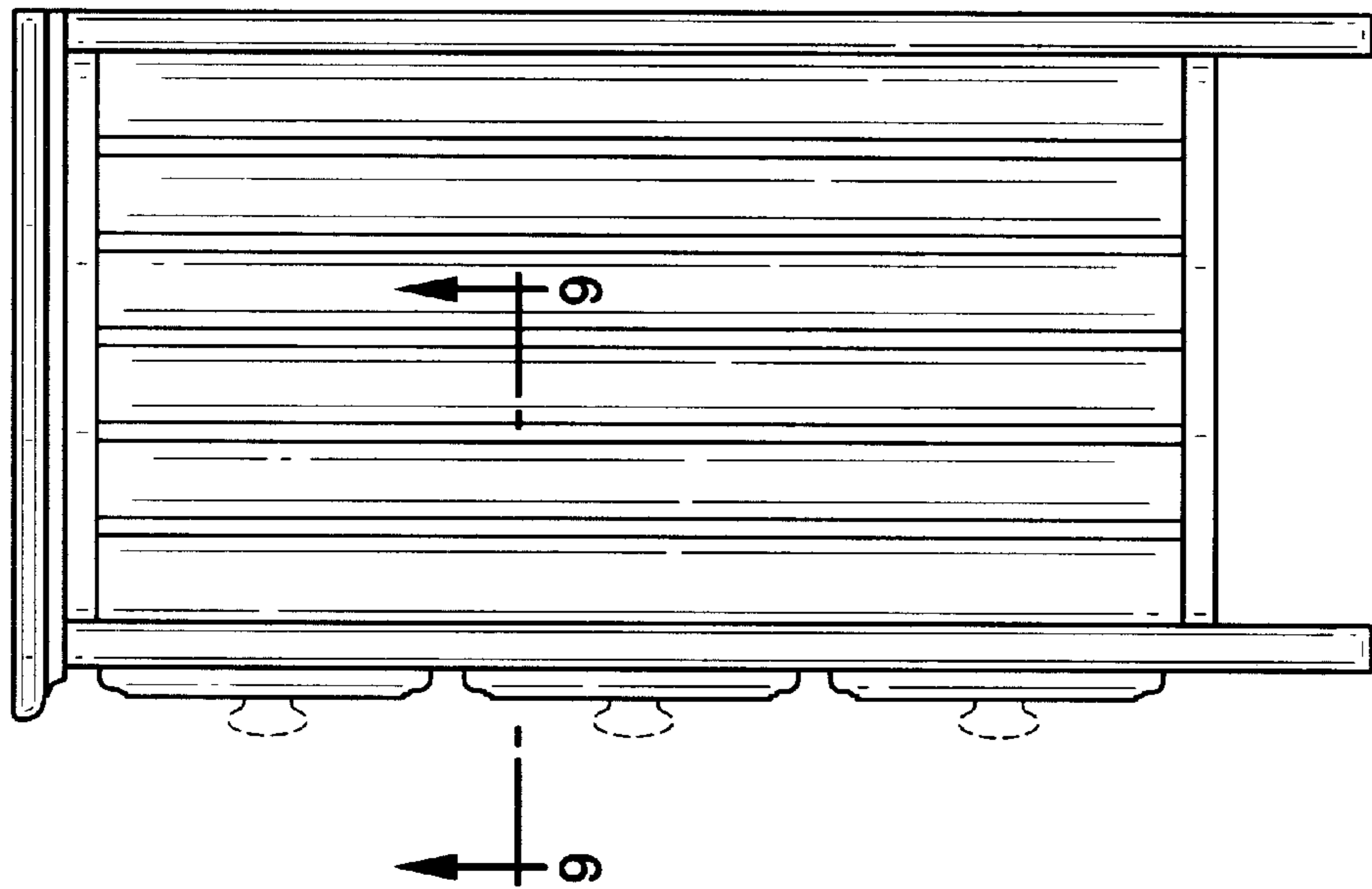


FIG. 4

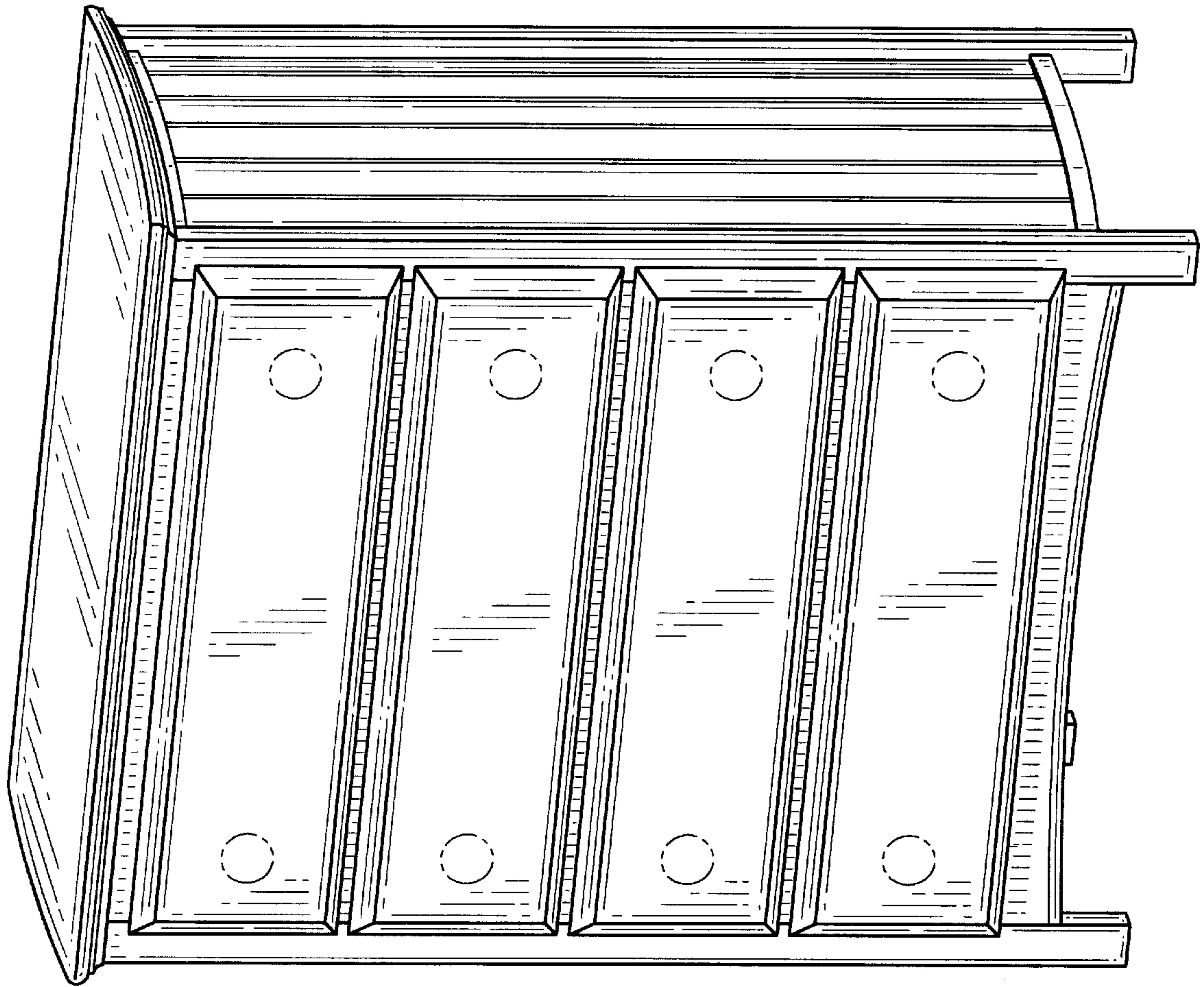


FIG. 5

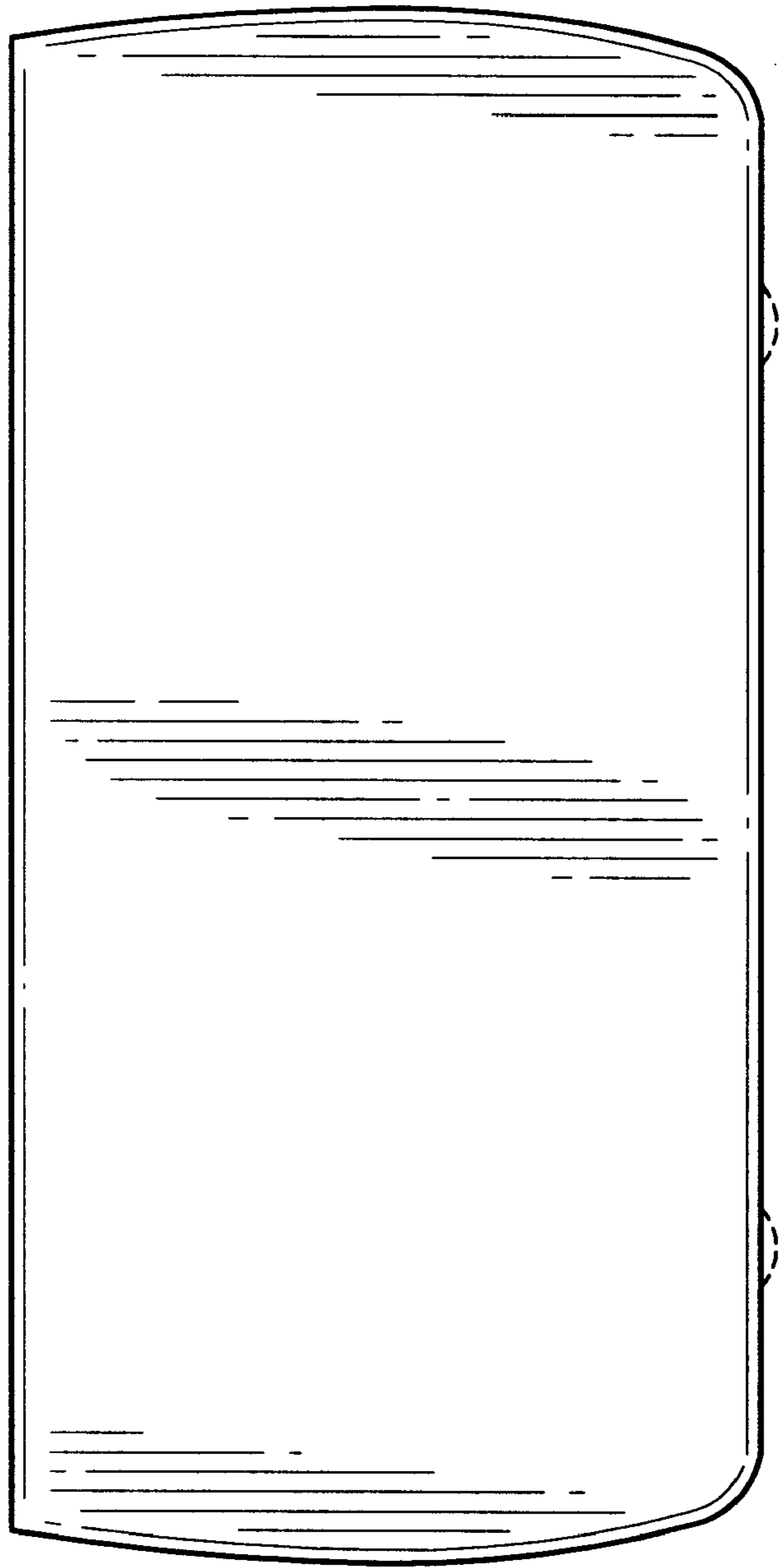


FIG. 6

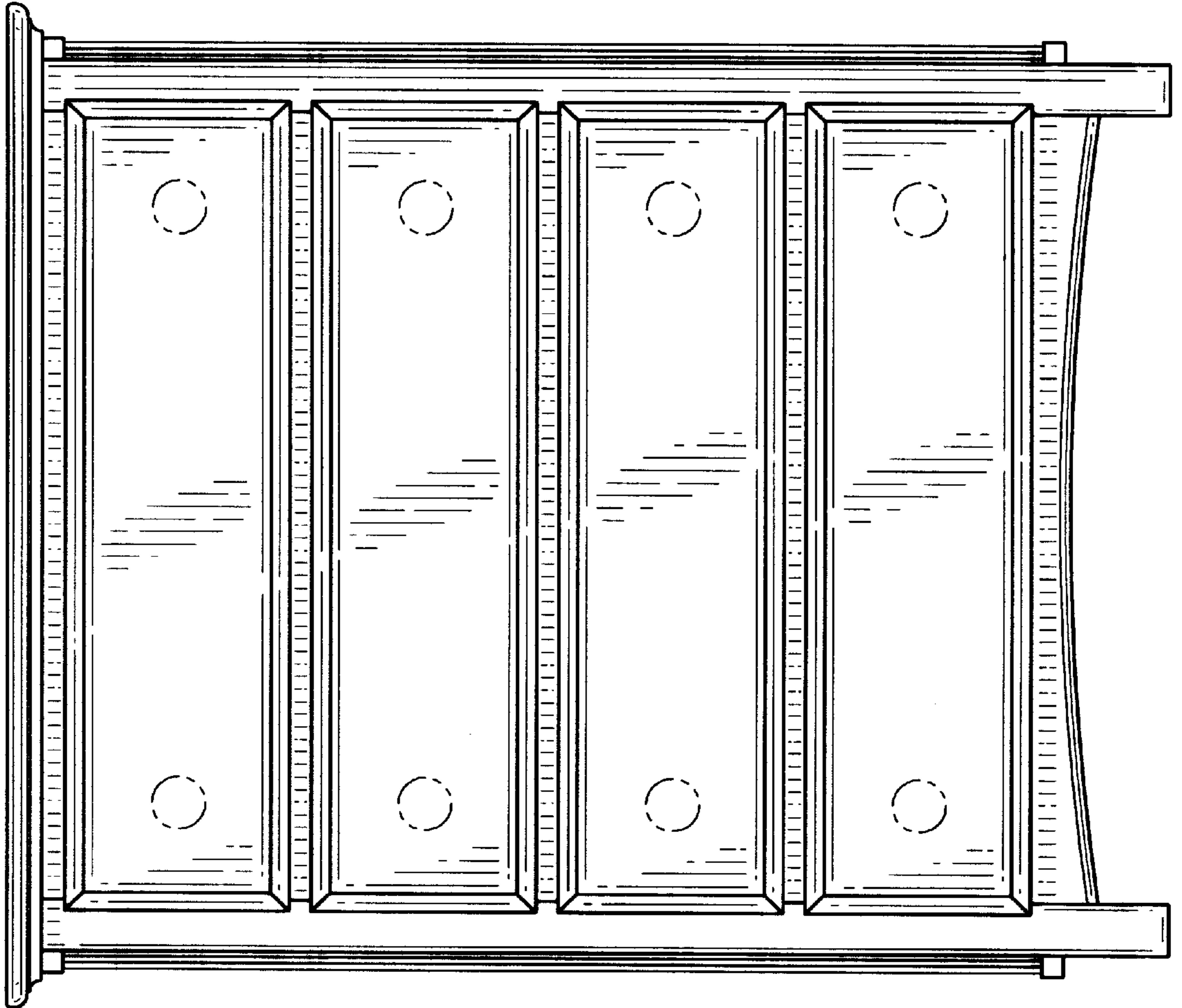


FIG. 7

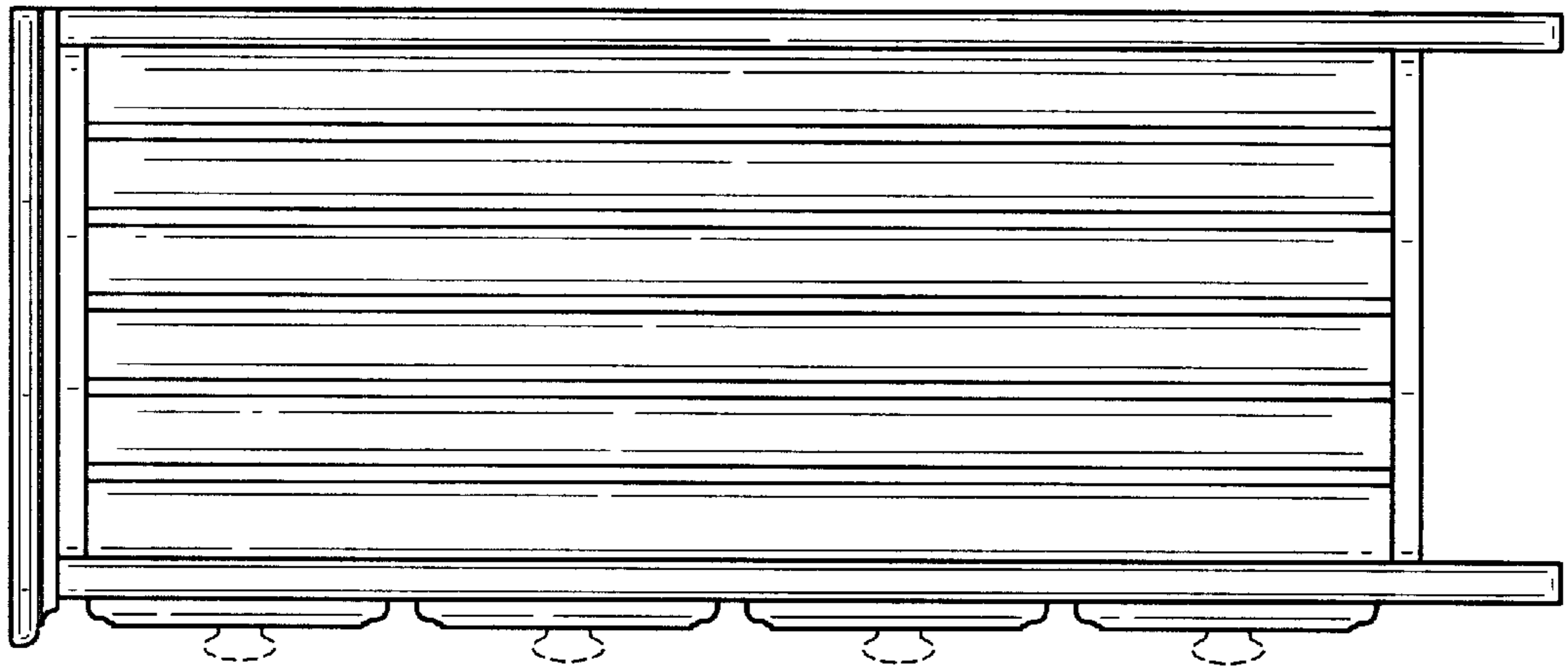


FIG. 8

FIG. 9

