



US00D446665B1

(12) **United States Design Patent**
Hutton

(10) **Patent No.:** **US D446,665 S**

(45) **Date of Patent:** **** Aug. 21, 2001**

(54) **SIDE TABLE**

D. 403,887 * 1/1999 Hutton D6/437

(76) Inventor: **John Hutton**, 36 DeForest Ave., West Islip, NY (US) 11795

(**) Term: **14 Years**

(21) Appl. No.: **29/110,180**

(22) Filed: **Aug. 31, 1999**

(51) **LOC (7) Cl.** **06-04**

(52) **U.S. Cl.** **D6/436**

(58) **Field of Search** D6/432, 436, 437,
D6/438, 439, 440, 441, 445, 449, 480,
483, 488, 479; 312/114, 204, 224, 278,
279

(56) **References Cited**

U.S. PATENT DOCUMENTS

- D. 90,955 * 10/1933 Reagan D6/436
- D. 98,758 * 3/1936 Falk D6/439 X
- D. 322,184 * 12/1991 Prevedello et al. D6/436
- D. 325,138 * 4/1992 Levin D6/479
- D. 388,634 * 1/1998 Mulligan et al. D6/436

OTHER PUBLICATIONS

Ethan Allen Treasury, End Table No. 27-8014, p. 199, 1990.*

* cited by examiner

Primary Examiner—Cathron B. Matta

(74) *Attorney, Agent, or Firm*—Darby & Darby

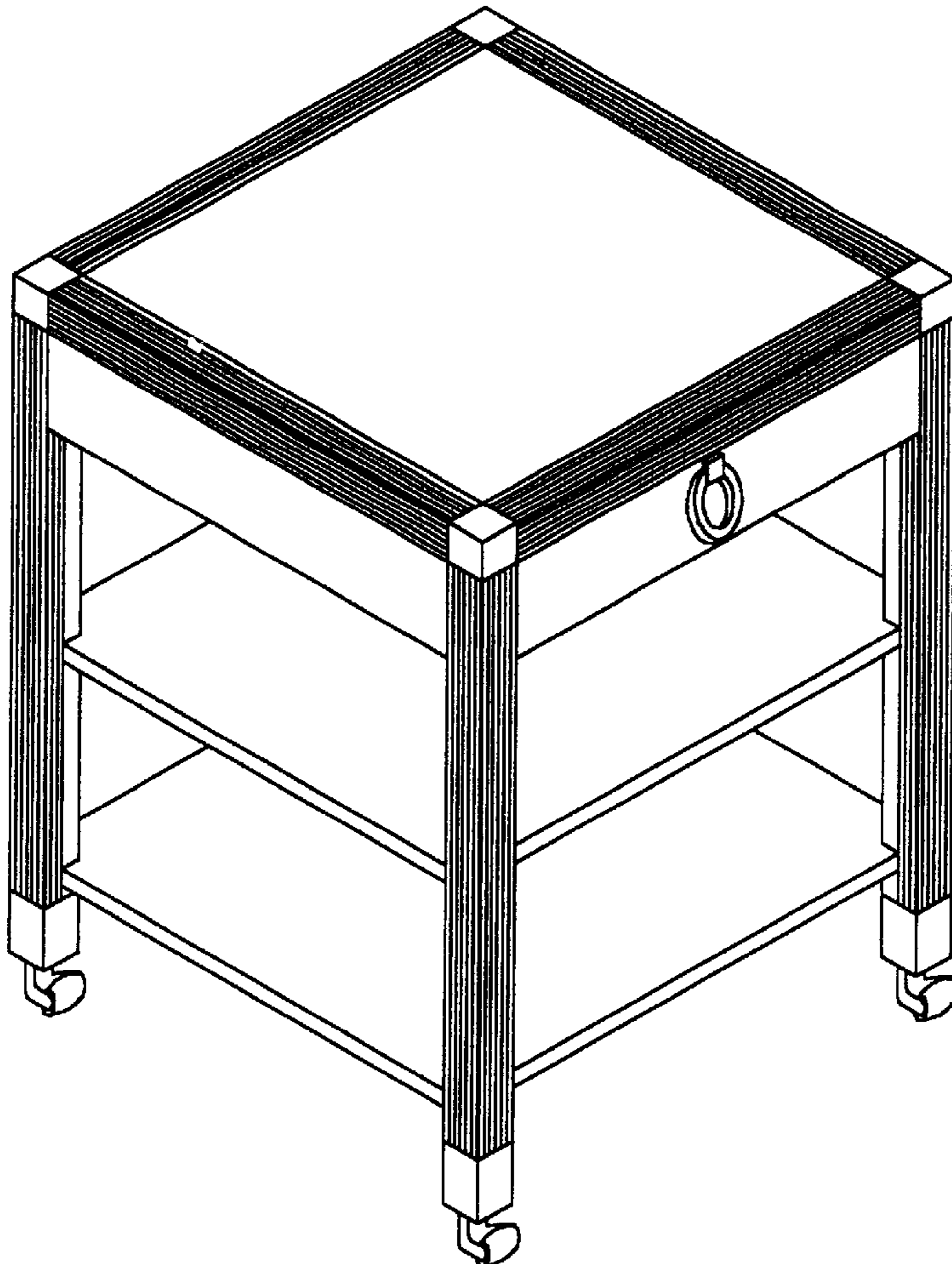
(57) **CLAIM**

The ornamental design for a side table, as shown and described.

DESCRIPTION

FIG. 1 is a perspective view of a side table showing my new design;
 FIG. 2 is a front elevational view;
 FIG. 3 is a right side elevational view, the left side and rear views being mirror images thereof;
 FIG. 4 is a top plan view; and,
 FIG. 5 is a bottom plan view.

1 Claim, 3 Drawing Sheets



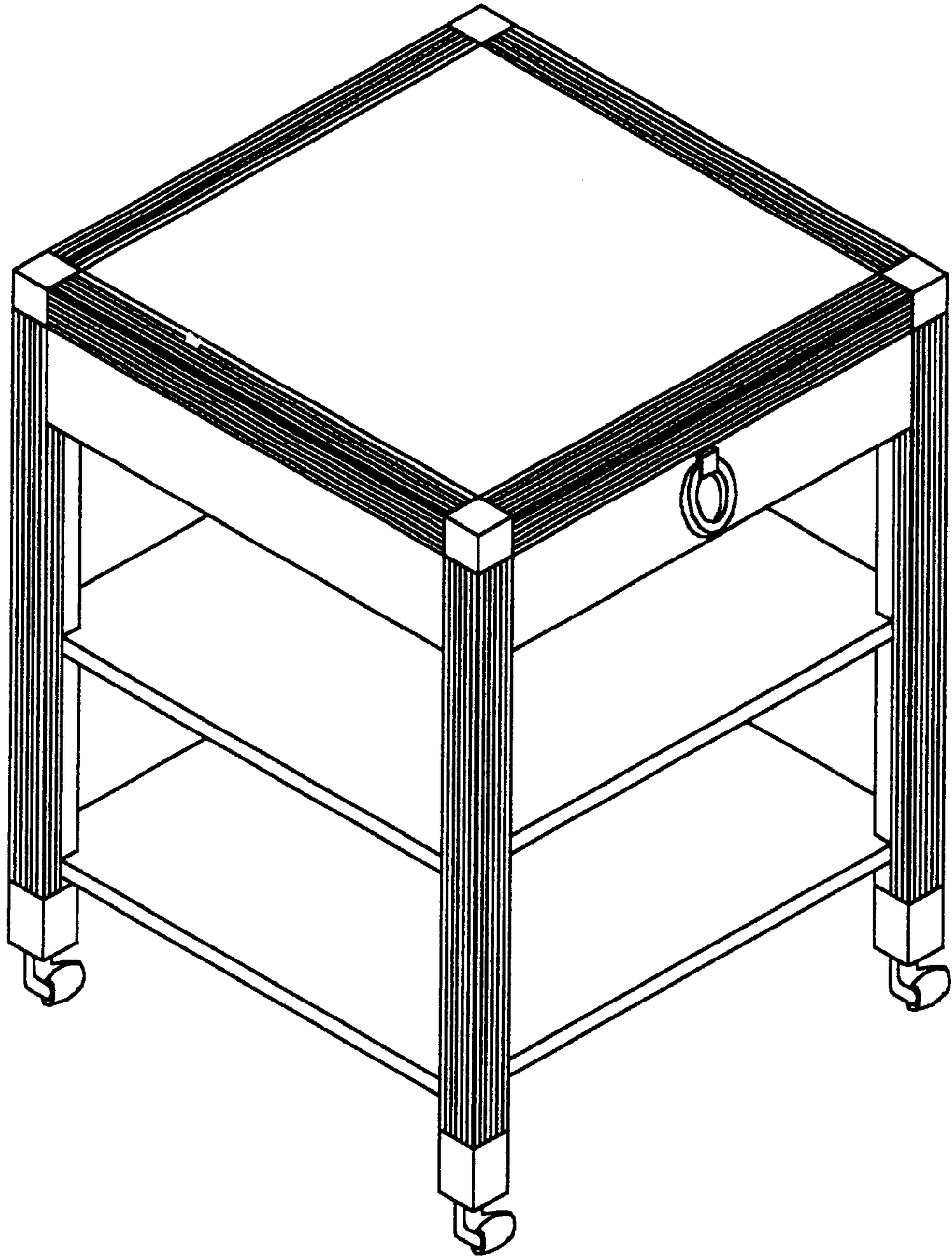


FIGURE 1

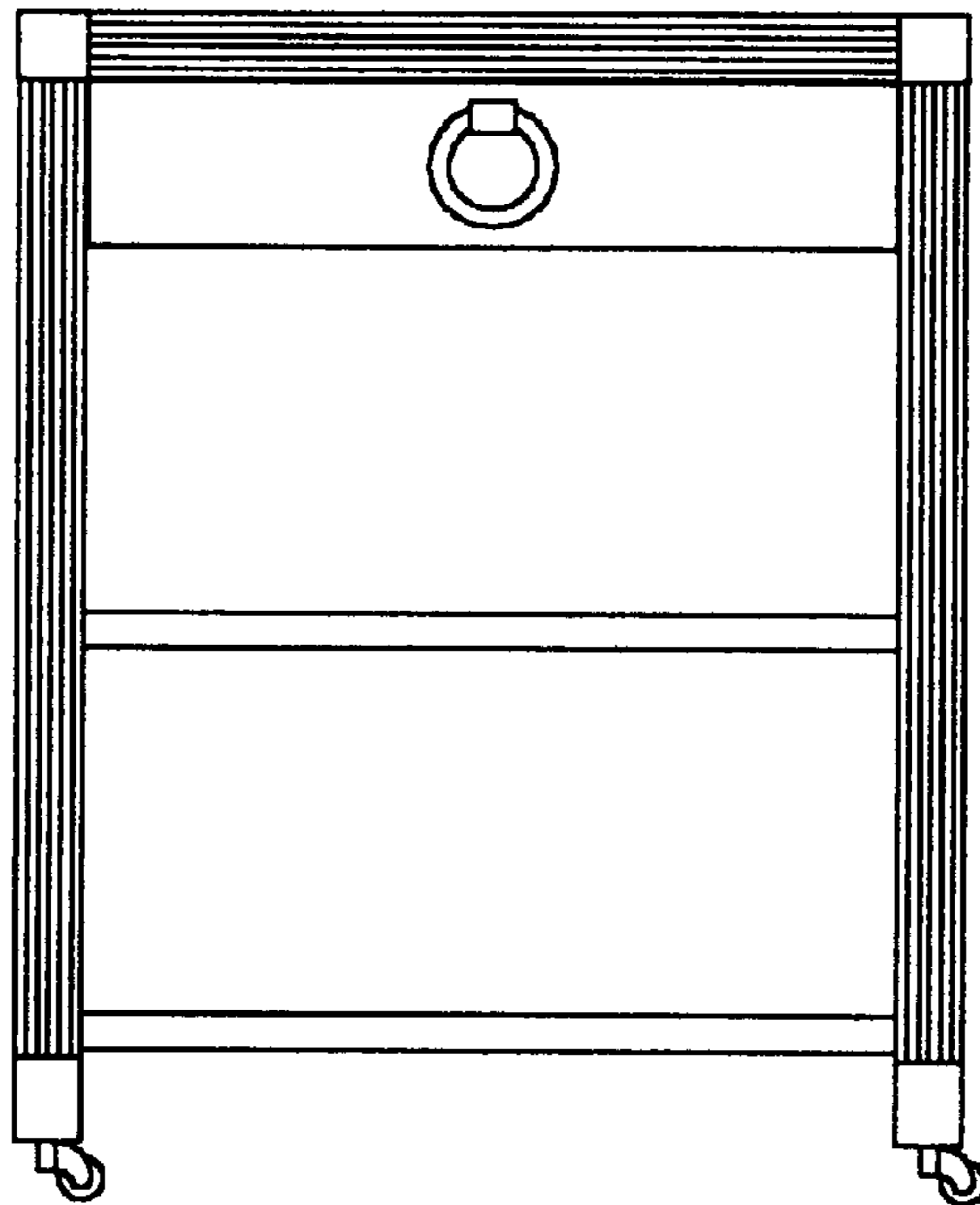


FIGURE 2

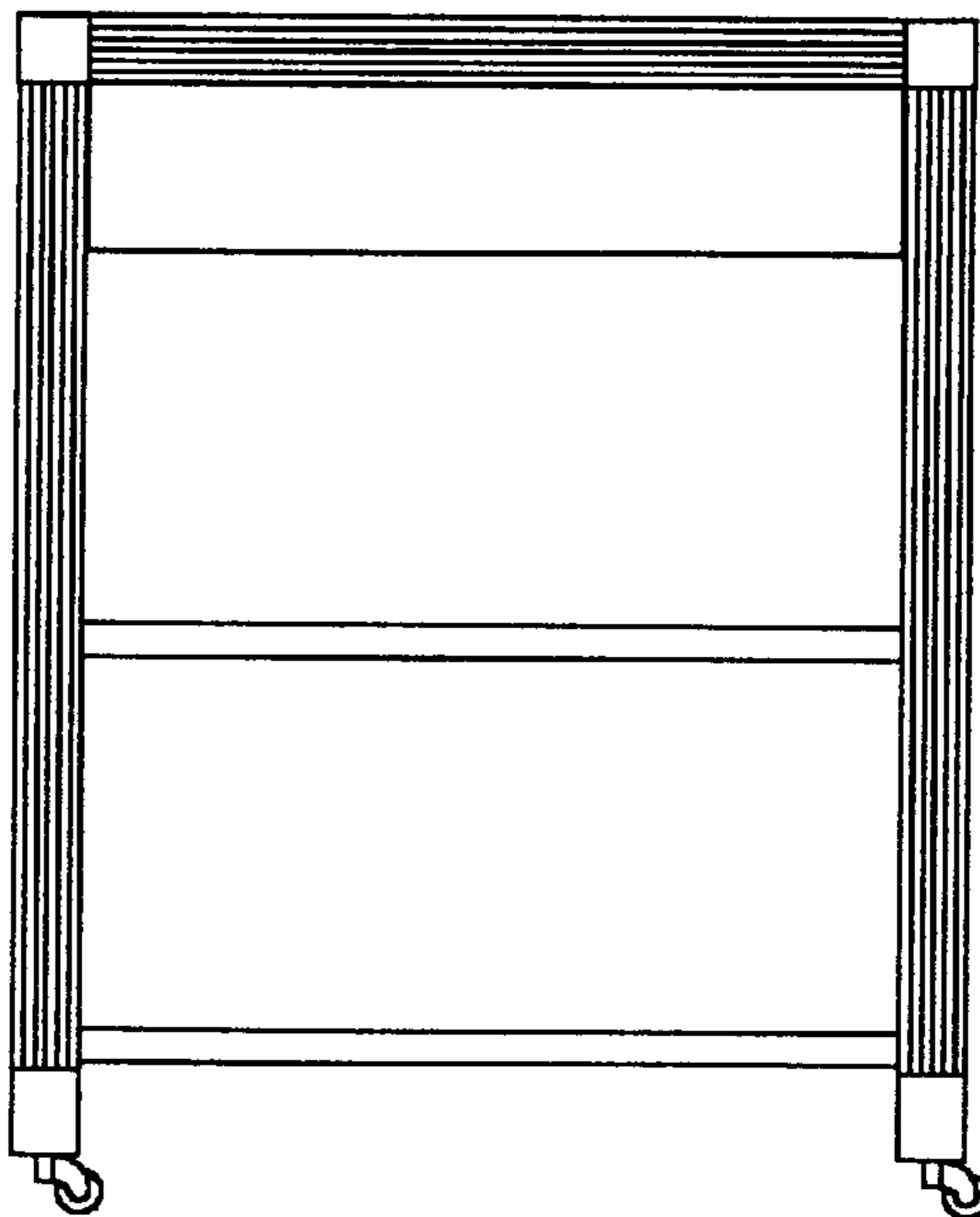


FIGURE 3

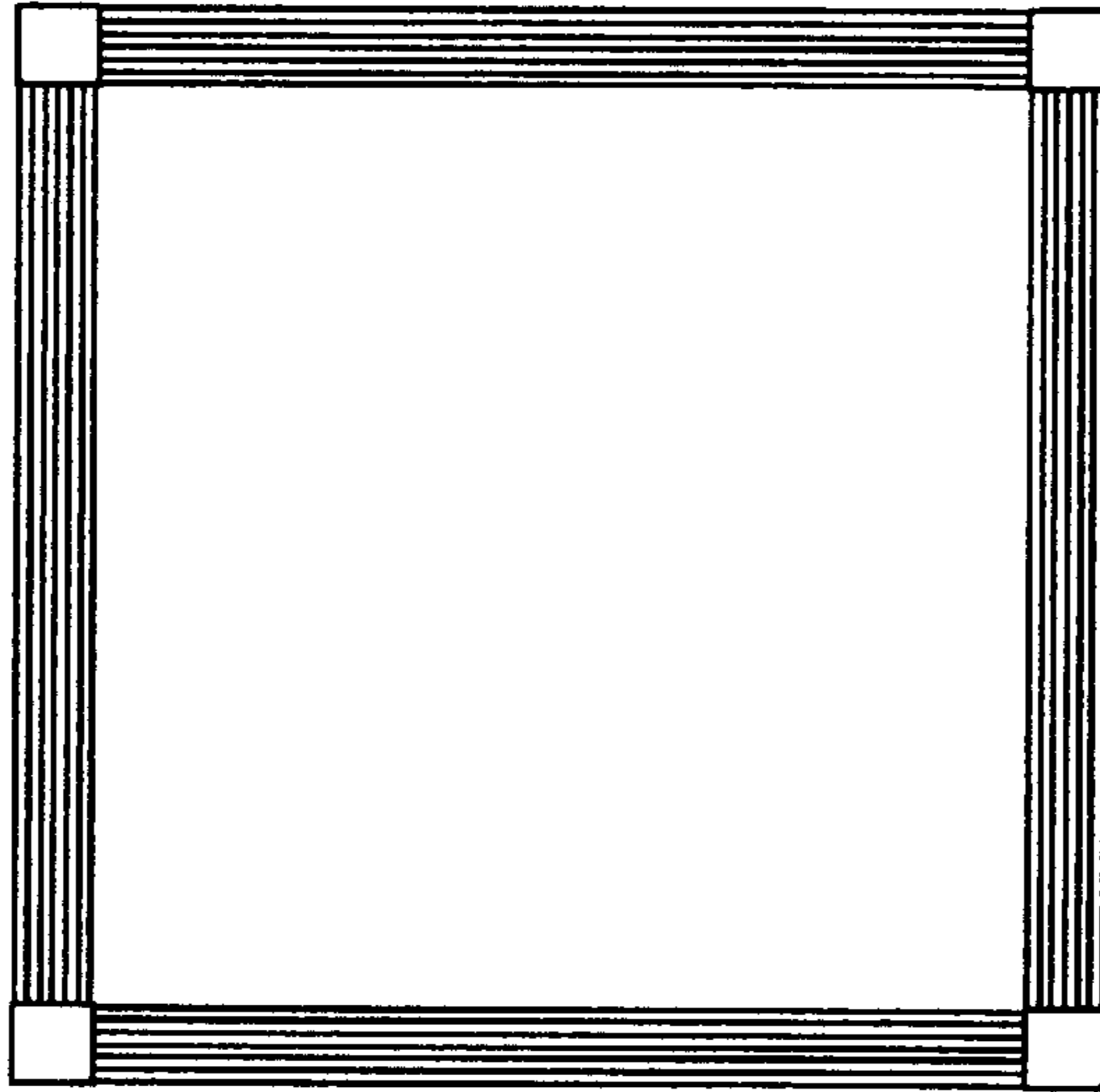


FIGURE 4

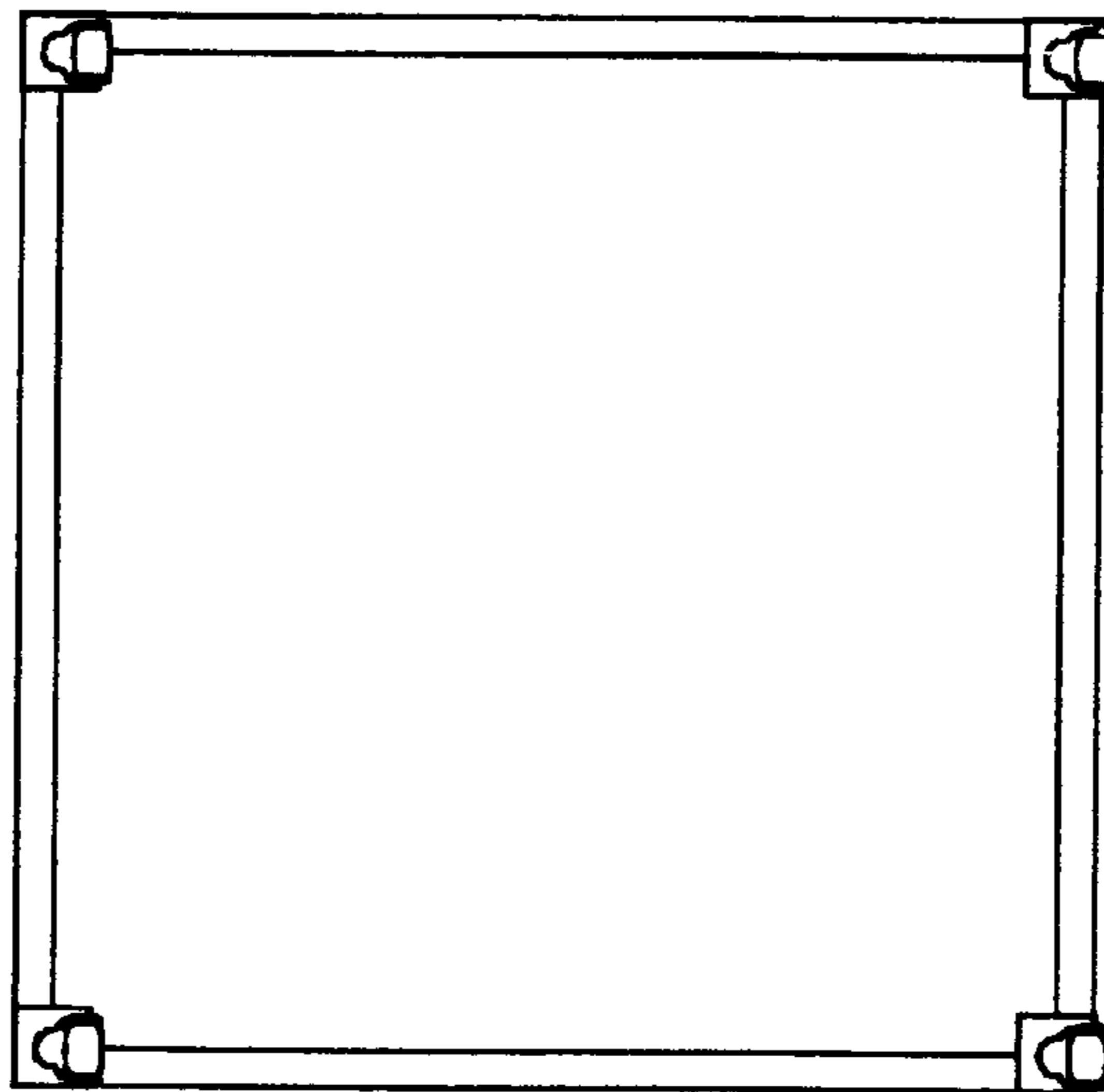


FIGURE 5