



US00D446664B1

(12) **United States Design Patent**
Petri

(10) **Patent No.:** **US D446,664 S**

(45) **Date of Patent:** **** Aug. 21, 2001**

(54) **REAR CREDENZA UNIT**

5,878,673 * 3/1999 Kramer et al. 108/50.02
6,070,956 * 6/2000 Yates 312/223.3

(75) Inventor: **Manfred Petri**, Marietta, GA (US)

OTHER PUBLICATIONS

(73) Assignee: **Tella Systems (1998), Inc.**, LaSalle (CA)

1988 Office Furniture Mart, p.36, desk B in center.*

(**) Term: **14 Years**

* cited by examiner

(21) Appl. No.: **29/126,010**

Primary Examiner—Janice E. Seeger

(22) Filed: **Jul. 7, 2000**

(74) *Attorney, Agent, or Firm*—Finnegan, Henderson, Farabow, Garrett & Dunner, L.L.P.

(30) **Foreign Application Priority Data**

(57) **CLAIM**

Feb. 15, 2000 (CA) 2000-0461

The ornamental design for a rear credenza unit, as shown and described.

(51) **LOC (7) Cl.** **06-04**

DESCRIPTION

(52) **U.S. Cl.** **D6/427; D6/422**

FIG. 1 is an isometric view of the rear credenza unit of the present invention as a whole.

(58) **Field of Search** D6/422–428, 511;
312/194–196, 239, 208, 198; 108/50.01,
50.02

FIG. 2 is a top view of the work surface of the rear credenza unit of the present invention in plan.

(56) **References Cited**

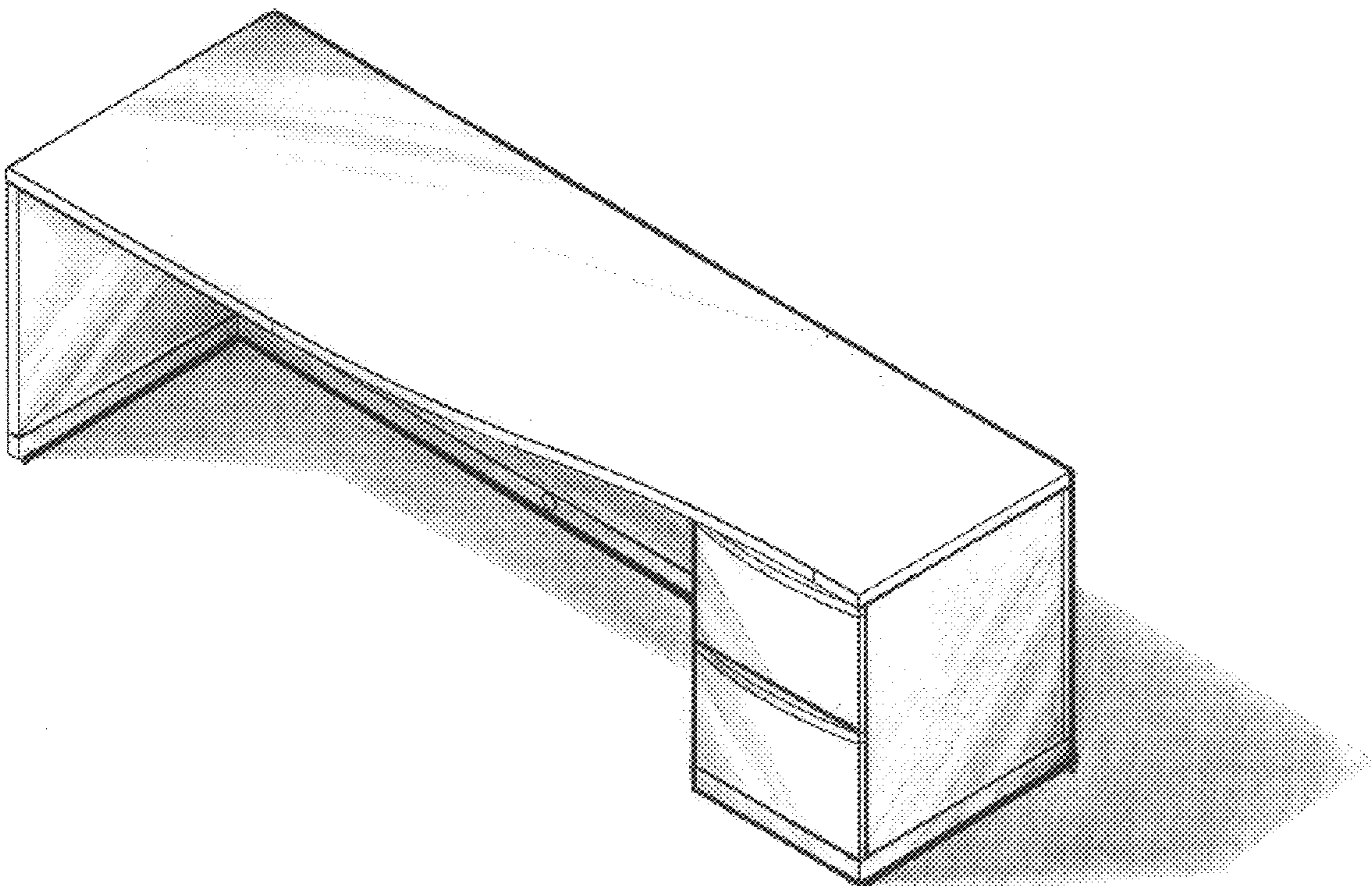
FIG. 3 is a front view of the rear credenza unit of the present invention, viewing the drawer fronts; and,

U.S. PATENT DOCUMENTS

FIG. 4 is a side view of the rear credenza unit of the present invention.

D. 141,284 * 5/1945 Daniels D6/428
D. 143,265 * 12/1945 Brainard et al. D6/427

1 Claim, 4 Drawing Sheets



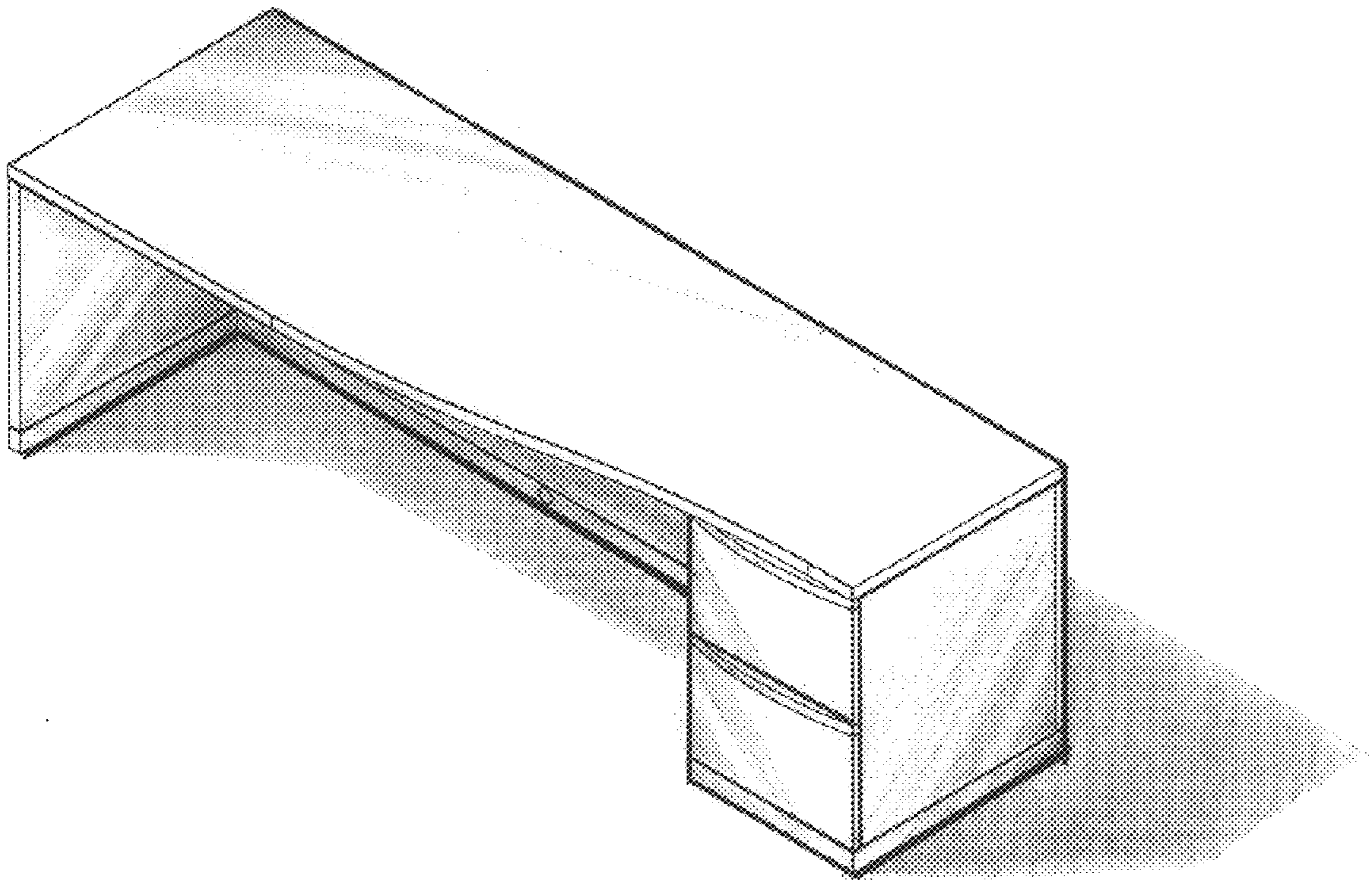


FIGURE 1

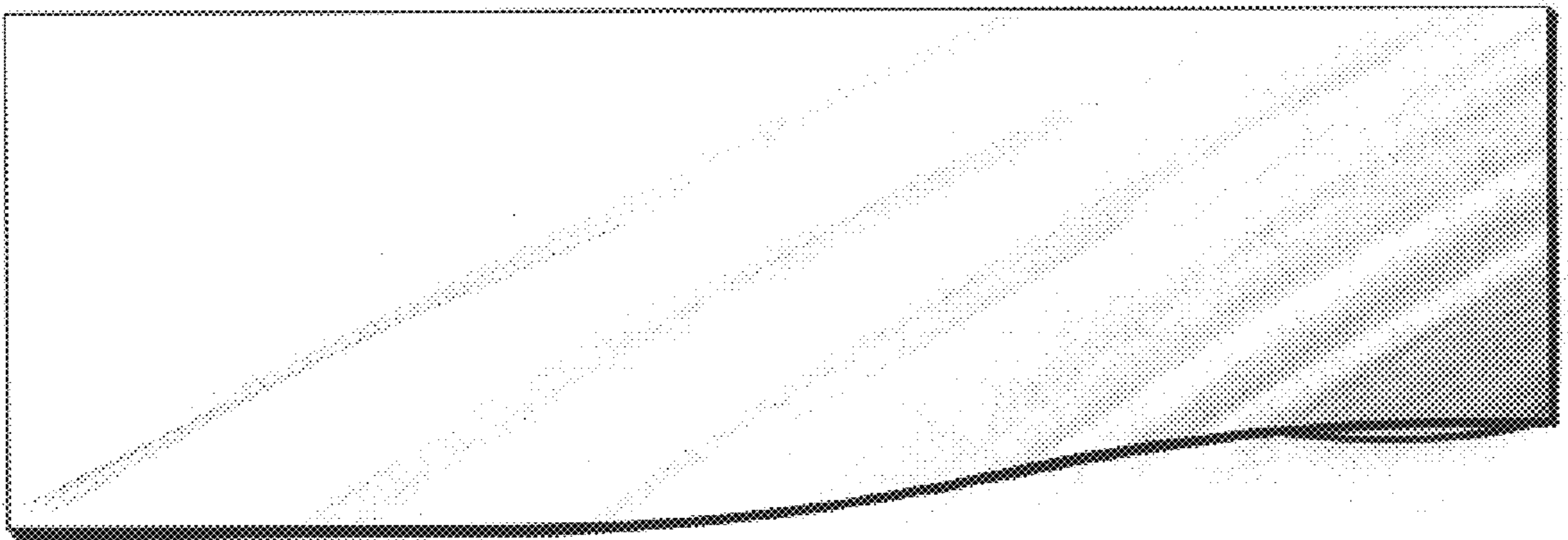


FIGURE 2

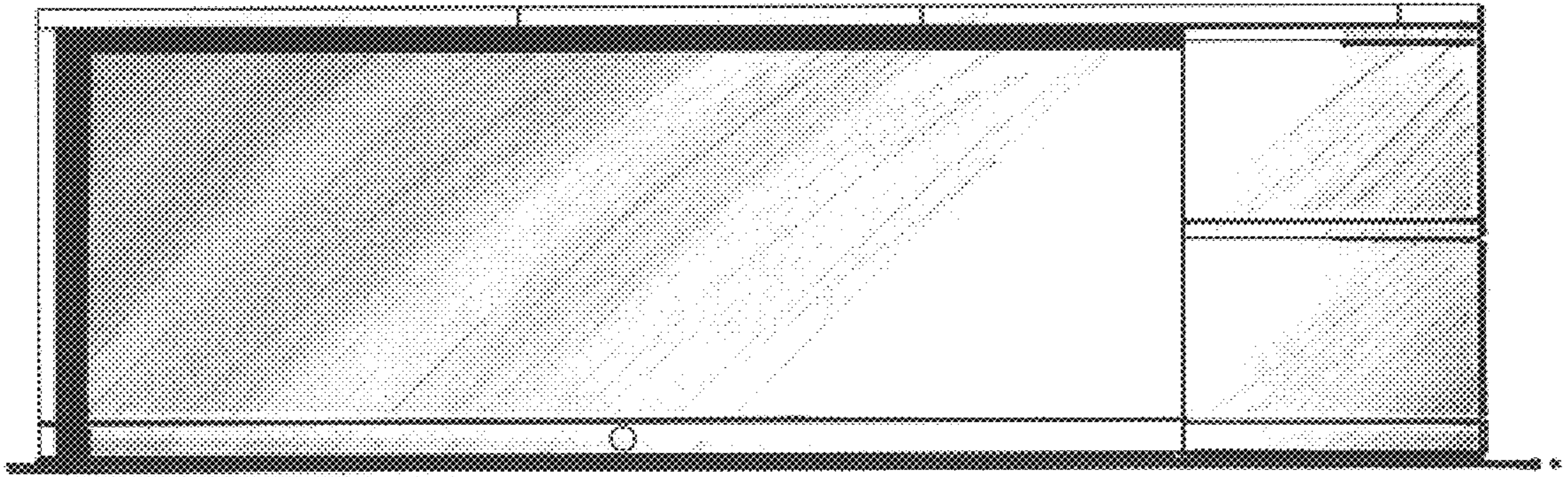


FIGURE 3

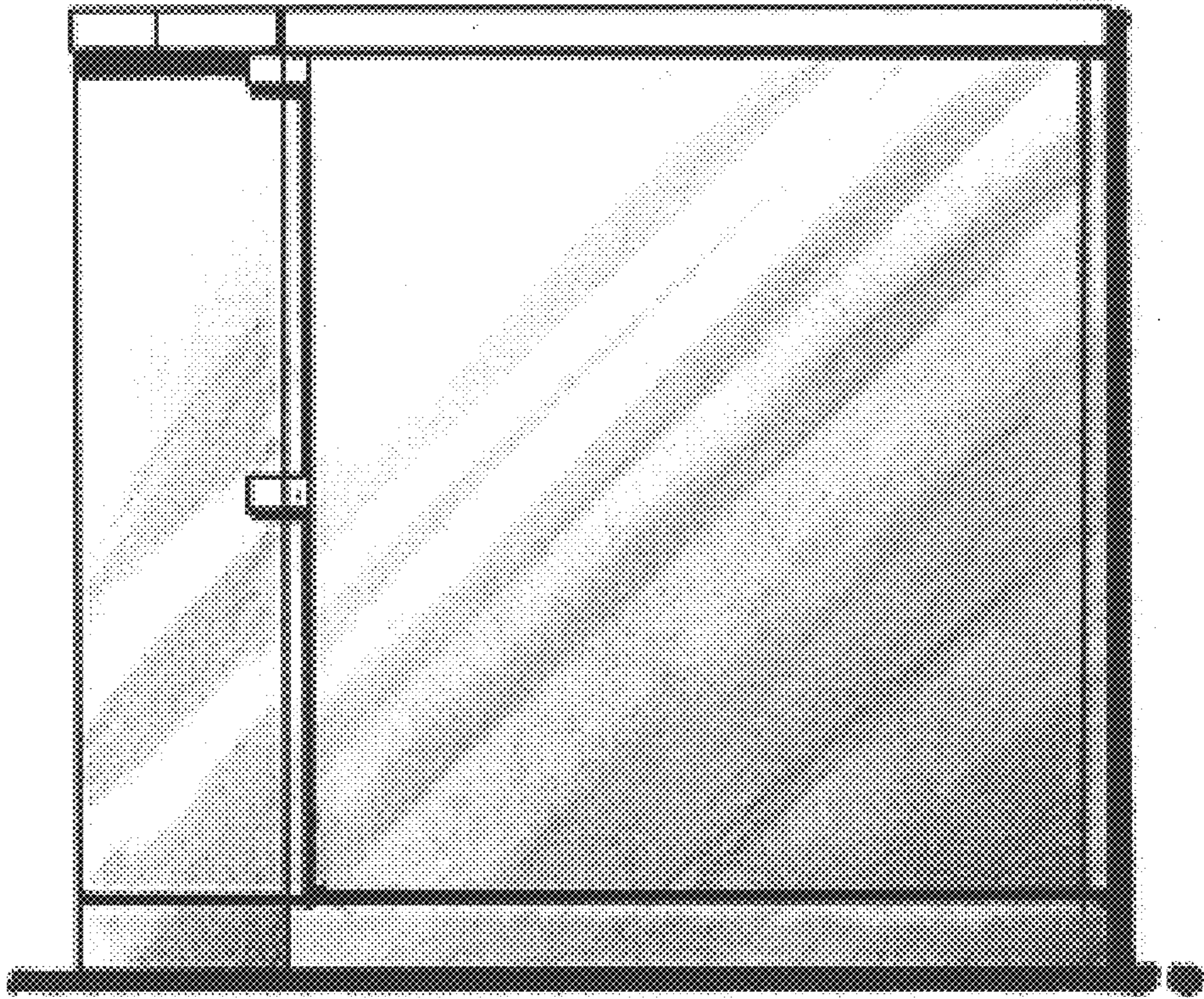


FIGURE 4