



US00D446663B1

(12) **United States Design Patent**
Thomas

(10) **Patent No.:** **US D446,663 S**

(45) **Date of Patent:** **** Aug. 21, 2001**

(54) **TRELLIS FLOWER POT HOLDER WITH DECORATIVE HEAD MEMBER**

917,655 * 4/1909 Pittman et al. 47/47

* cited by examiner

(75) Inventor: **Joyce Thomas**, Lexington, IL (US)

Primary Examiner—Doris V. Coles

(73) Assignee: **L. R. Nelson Corporation**, Peoria, IL (US)

Assistant Examiner—Mimosa De

(74) *Attorney, Agent, or Firm*—Mayer, Brown & Platt

(**) Term: **14 Years**

(57) **CLAIM**

(21) Appl. No.: **29/126,594**

The ornamental design for a trellis flower pot holder with decorative head member, as shown.

(22) Filed: **Jul. 18, 2000**

DESCRIPTION

(51) **LOC (7) Cl.** **06-99**

(52) **U.S. Cl.** **D6/404**

(58) **Field of Search** D11/143-155;
D6/403-405, 455, 458, 460, 556, 557, 558;
D7/704; 47/39, 41.01, 44, 46, 47, 65.5,
67, 70; 206/423; 211/85.23, 85.31, 106,
181.1; 248/27.8, 121, 153, 175

FIG. 1 is a perspective view showing my new design;
FIG. 2 is a side elevational view thereof,
FIG. 3 is a front elevational view thereof;
FIG. 4 is a side elevational view thereof,
FIG. 5 is a back elevational view thereof;
FIG. 6 is a top plan view thereof; and,
FIG. 7 is a bottom plan view thereof.

(56) **References Cited**

U.S. PATENT DOCUMENTS

214,061 * 4/1879 Stearns 47/67

1 Claim, 3 Drawing Sheets

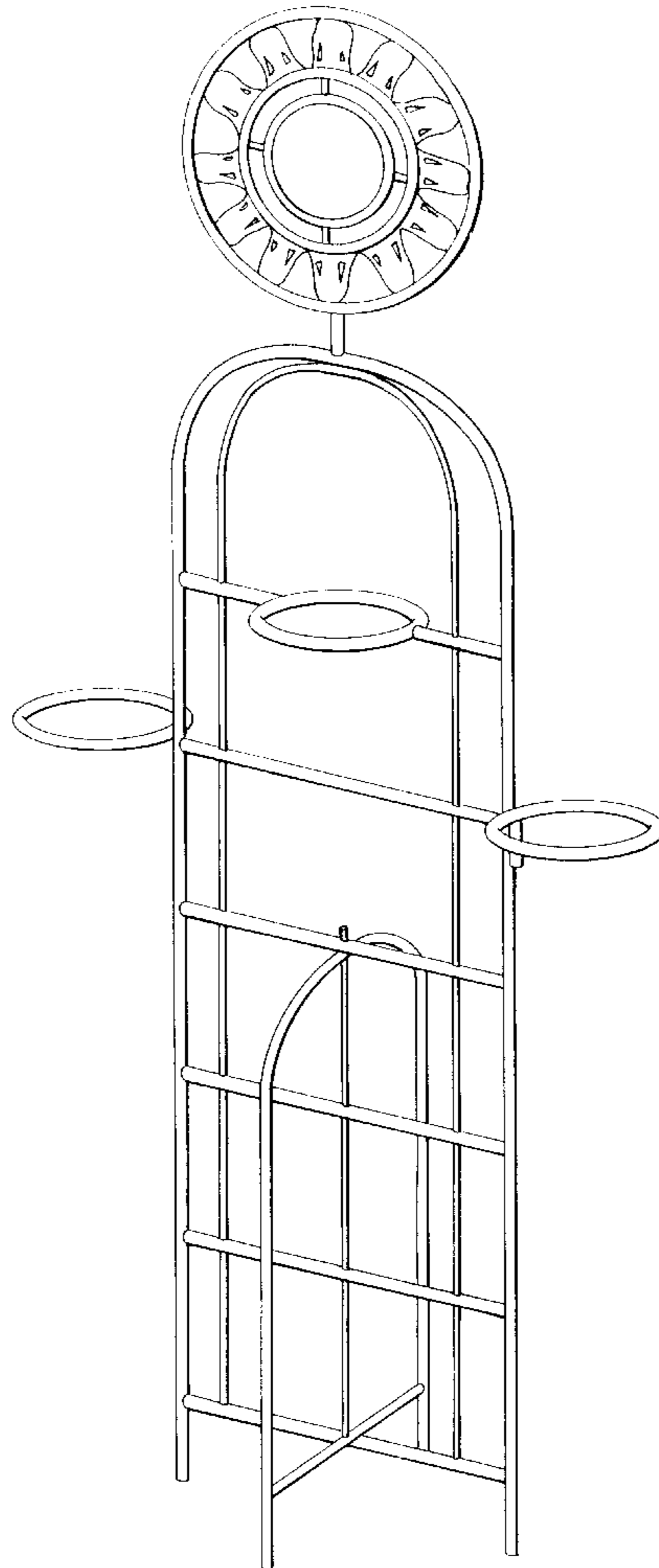


FIG. 1

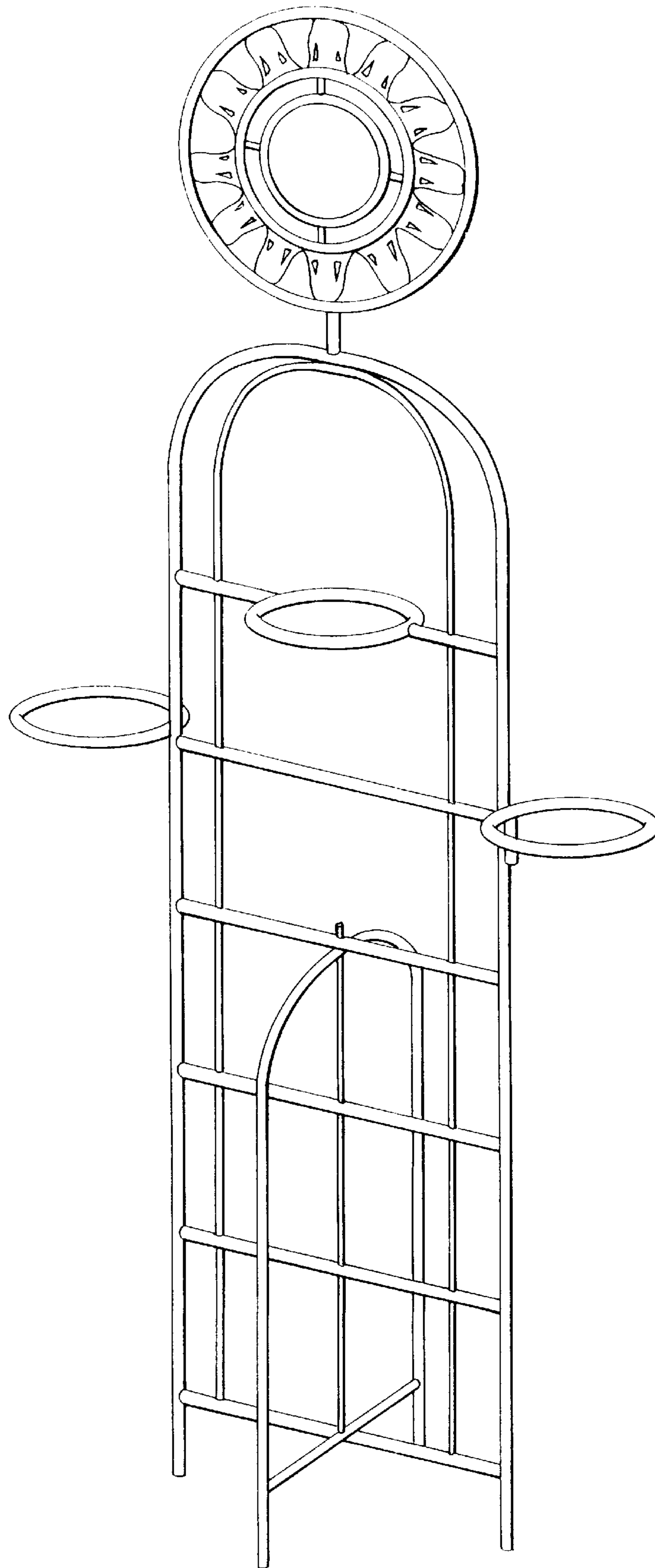


FIG. 2

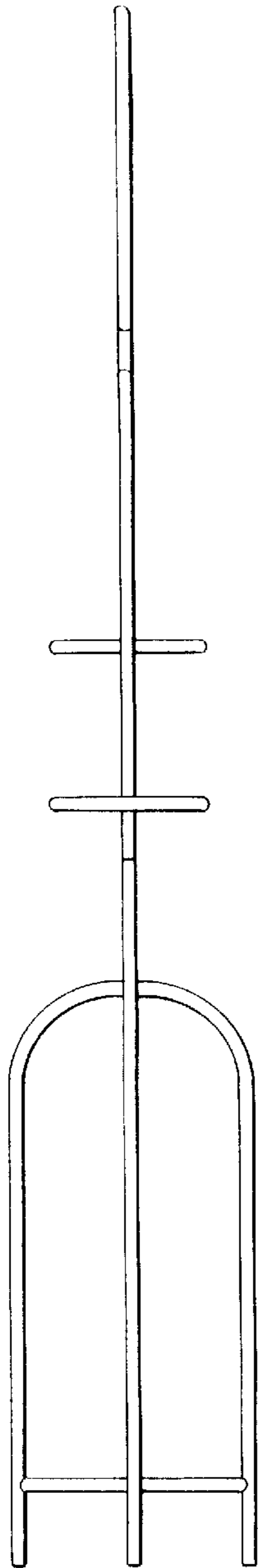


FIG. 3

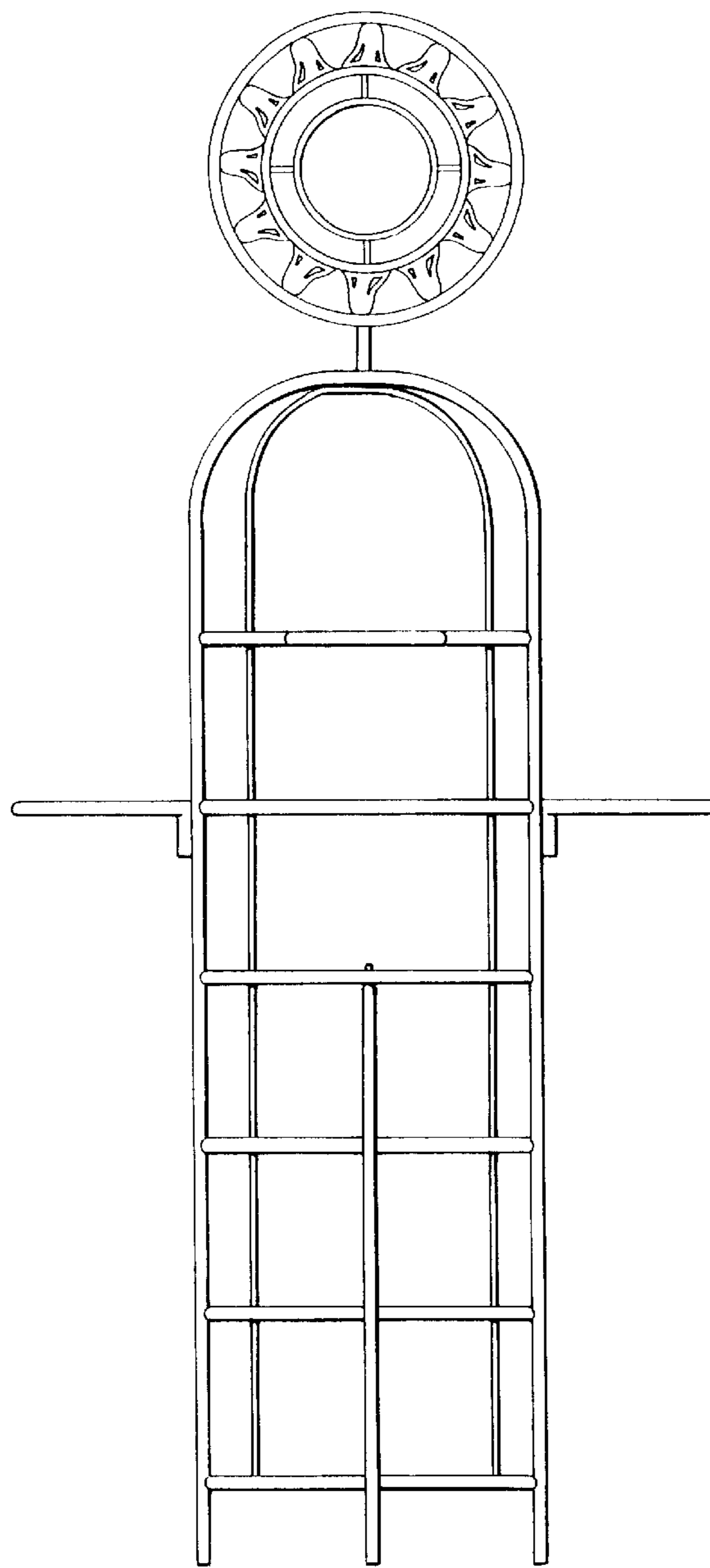


FIG. 4

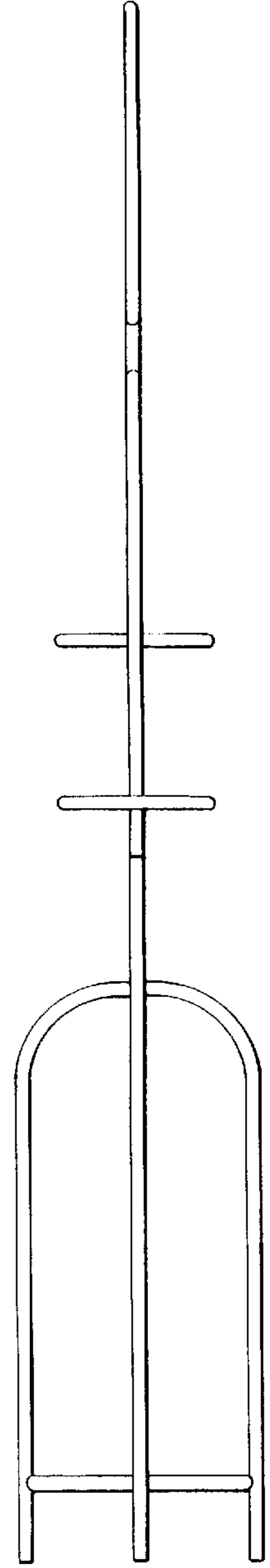


FIG. 5

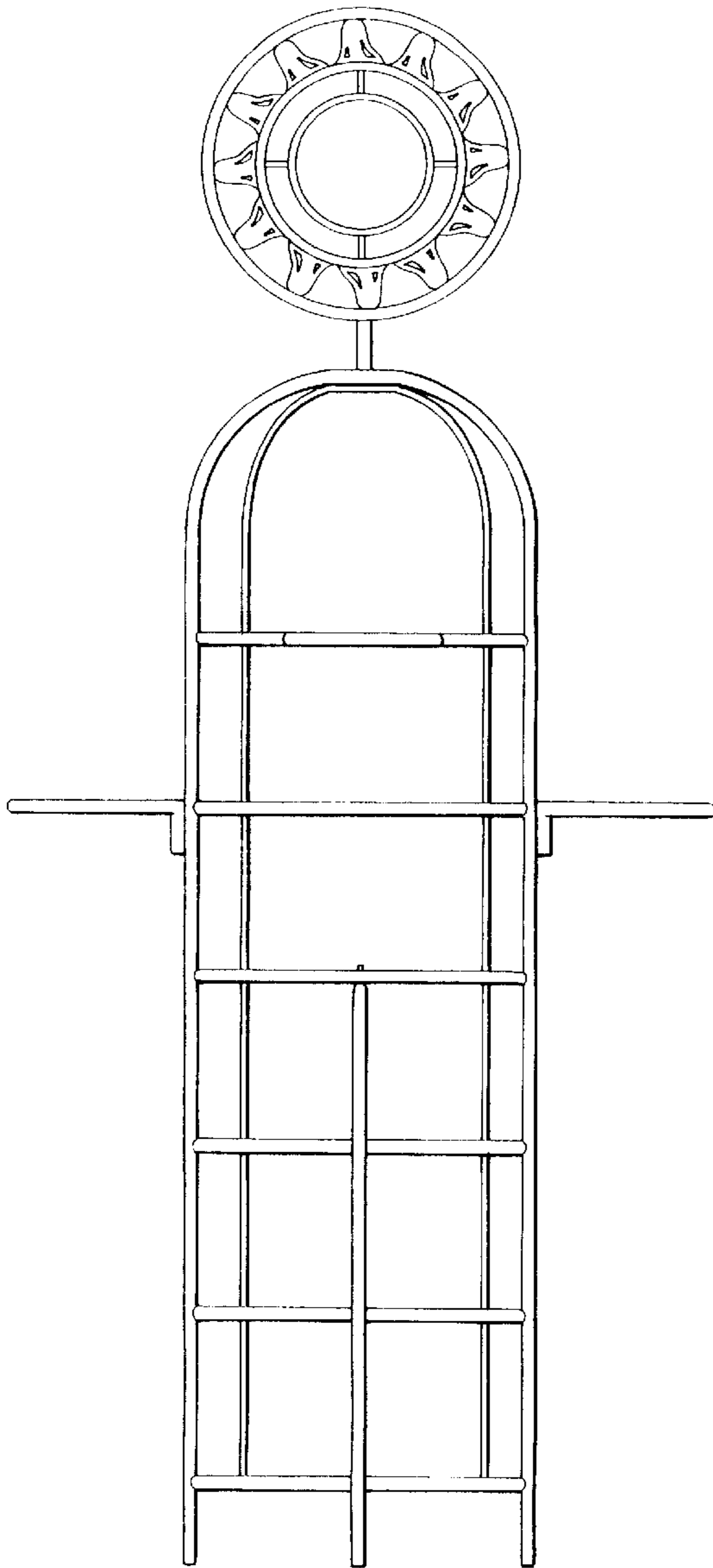


FIG. 6

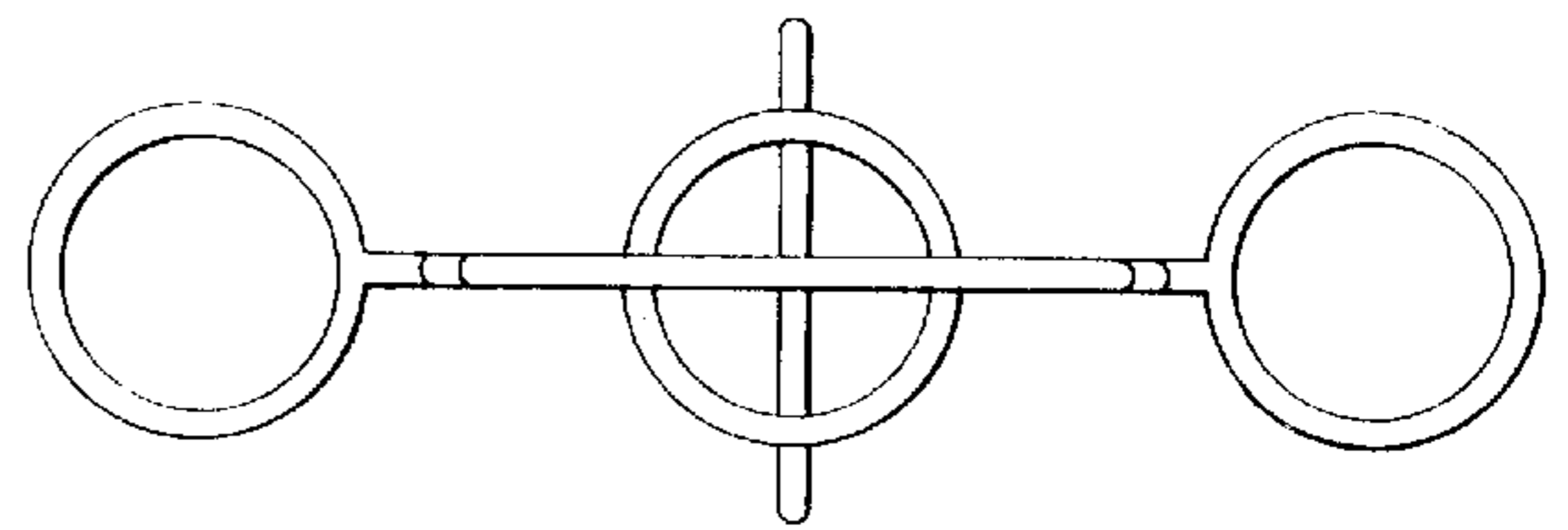


FIG. 7

